

US00D665342S

(12) **United States Design Patent**  
**Qualls, Jr. et al.**

(10) **Patent No.:** **US D665,342 S**

(45) **Date of Patent:** **\*\* Aug. 14, 2012**

(54) **BATTERY CONTAINER**

(75) Inventors: **E. Lee Qualls, Jr.**, Atlanta, GA (US);  
**John Francis Bear**, Gainesville, GA  
(US); **Rachel Lyn Clay**, Alpharetta, GA  
(US); **Dominic Daunter**, Howell, MI  
(US); **Daniel S. Genord**, South Lyon,  
MI (US); **Allan D. Hillyer**, Oswego, IL  
(US); **Thomas Bruce Montgomery**,  
Bainbridge, PA (US); **Carl Edwin**  
**Sickles**, Chesterfield Township, MI (US);  
**David Paul Thimm**, Plymouth, MI  
(US); **Brian Allan Westbrook**, Marietta,  
GA (US)

(73) Assignee: **Exide Technologies**, Milton, GA (US)

(\*\*) Term: **14 Years**

(21) Appl. No.: **29/405,128**

(22) Filed: **Oct. 28, 2011**

(51) **LOC (9) Cl.** ..... **13-02**

(52) **U.S. Cl.** ..... **D13/106**

(58) **Field of Classification Search** ..... D13/102–106,  
D13/110, 118–119, 184; 429/96–100, 149,  
429/163, 176, 187

See application file for complete search history.

5,187,031 A	2/1993	Heiman et al.	
5,484,667 A	1/1996	Sahli et al.	
5,492,779 A *	2/1996	Ronning	429/120
5,512,065 A	4/1996	Kump et al.	
D383,434 S	9/1997	Hooke et al.	
D400,849 S	11/1998	Ikeda et al.	
D401,551 S	11/1998	Kim	
D401,940 S *	12/1998	Flores et al.	D14/140.2
5,895,728 A	4/1999	Walker et al.	
6,007,937 A	12/1999	Rodriguez et al.	
D418,515 S *	1/2000	Tucker et al.	D14/240
6,153,331 A *	11/2000	Brantley et al.	429/187
6,300,005 B1	10/2001	Kump	
D458,900 S	6/2002	Carter et al.	
D462,656 S	9/2002	Degen et al.	
D491,138 S	6/2004	Minato	
D543,938 S	6/2007	Kawakita et al.	
D584,684 S	1/2009	Aglassinger	
D600,202 S	9/2009	Mack	
D607,405 S	1/2010	Mack	
D609,178 S	2/2010	Mack	
D609,179 S	2/2010	Mack	
D609,631 S	2/2010	Mack	

(Continued)

Primary Examiner — Rosemary K Tarcza

(57) **CLAIM**

The ornamental design for a battery container, as shown and described.

(56) **References Cited**

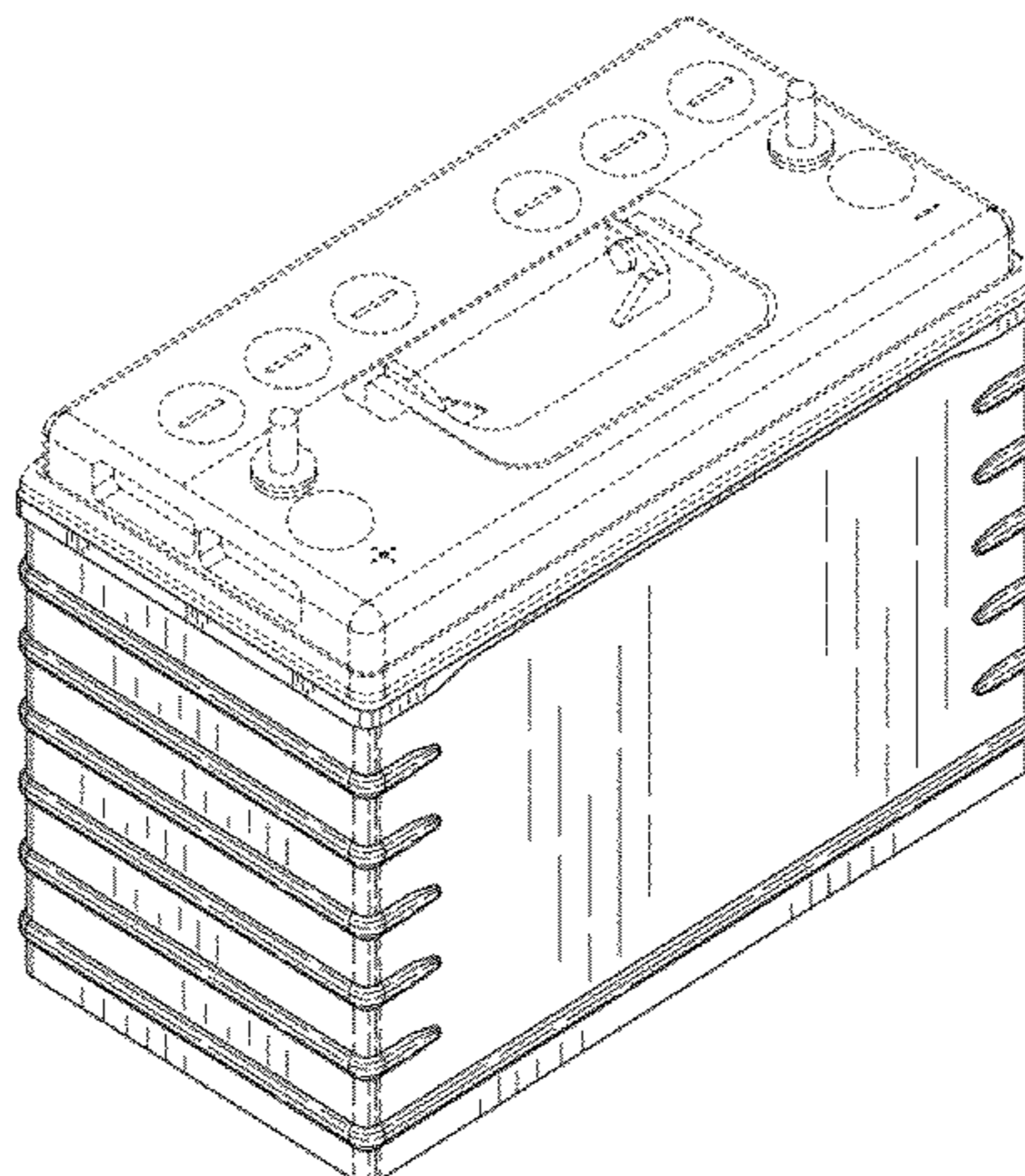
U.S. PATENT DOCUMENTS

2,724,360 A	3/1953	Crookshank	
2,692,906 A	10/1954	Morgan	
D188,421 S *	7/1960	Slautterback	D13/104
D196,798 S	11/1963	Worrell	
D242,048 S	10/1976	Frode	
4,632,888 A *	12/1986	Kump et al.	429/187
4,634,642 A	1/1987	Lopez-Doriga Lopez-Doriga et al.	
4,693,949 A	9/1987	Kellett et al.	
D292,576 S	11/1987	Kump et al.	
D294,484 S	3/1988	Kellett et al.	
D303,519 S	9/1989	Lopez-Doriga Lopez-Doriga et al.	
D310,821 S	9/1990	Hulsebus et al.	

**DESCRIPTION**

FIG. 1 is a top, front and left perspective view of a battery container, showing my new design;  
FIG. 2 is a front elevation view thereof, with the back side being a mirror image thereof;  
FIG. 3 is a top plan view thereof;  
FIG. 4 is a bottom plan view thereof; and,  
FIG. 5 is a left side view thereof, with the right side being a mirror image thereof.  
The broken-line disclosure in the views is understood to represent portions of the article in which the claimed design is embodied, but which forms no part of the claimed design.

**1 Claim, 5 Drawing Sheets**



# US D665,342 S

Page 2

---

## U.S. PATENT DOCUMENTS

D621,353 S	8/2010	Mack	D643,810 S	8/2011	Qualls et al.
D625,253 S	10/2010	Mack	D643,811 S	8/2011	Qualls et al.
D625,254 S	10/2010	Mack	D647,051 S	10/2011	Qualls et al.
D633,862 S	3/2011	Qualls et al.	D647,052 S	10/2011	Qualls et al.
D633,863 S	3/2011	Qualls et al.	2003/0044679 A1	3/2003	Hirano et al.
D633,864 S	3/2011	Qualls et al.	2004/0170888 A1	9/2004	Cummins et al.
D633,865 S	3/2011	Qualls et al.	2009/0092890 A1	4/2009	Wu
D633,866 S	3/2011	Qualls et al.	2009/0130549 A1	5/2009	Kelley et al.
D635,509 S	4/2011	Mack et al.			

\* cited by examiner

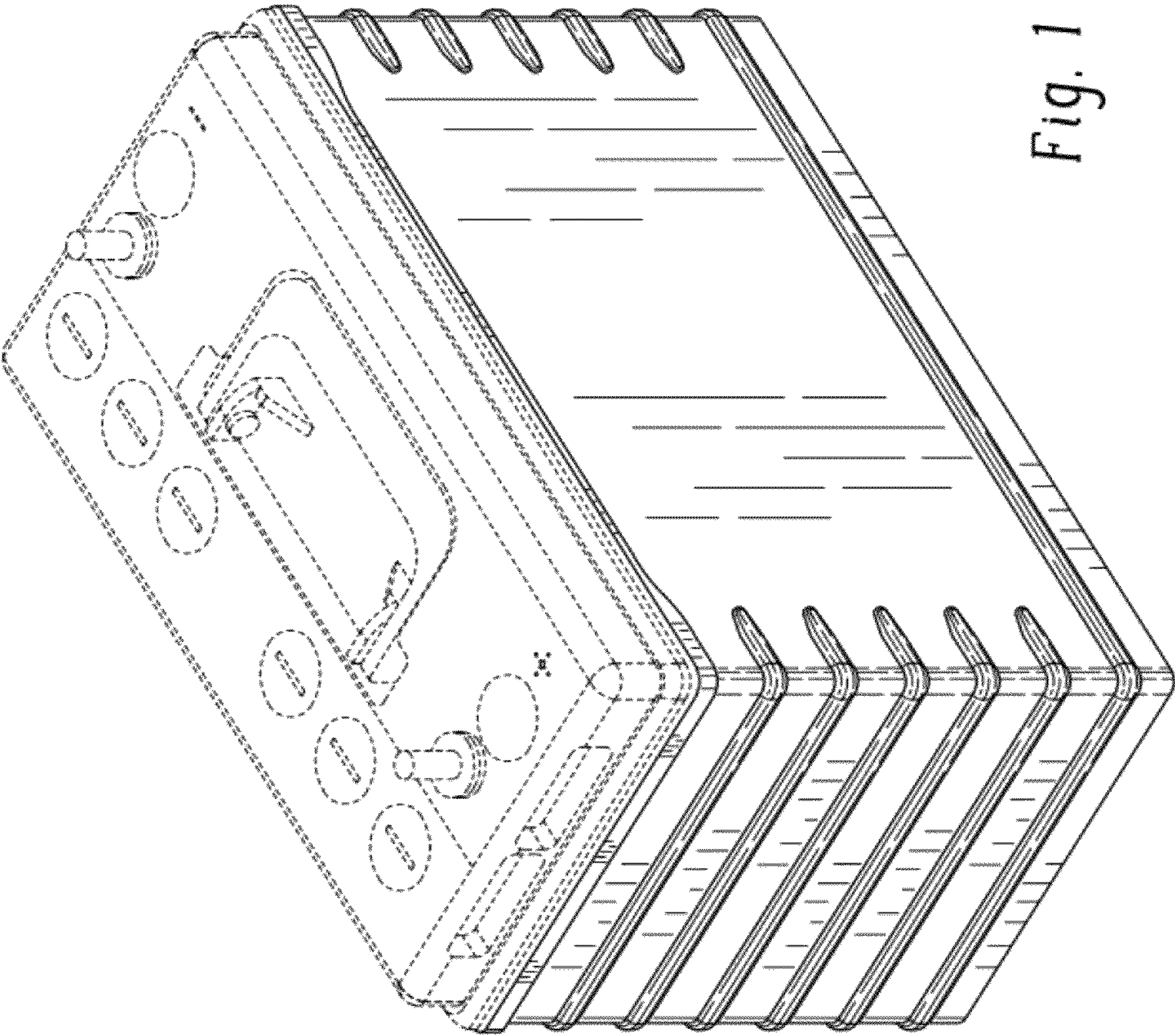


Fig. 1

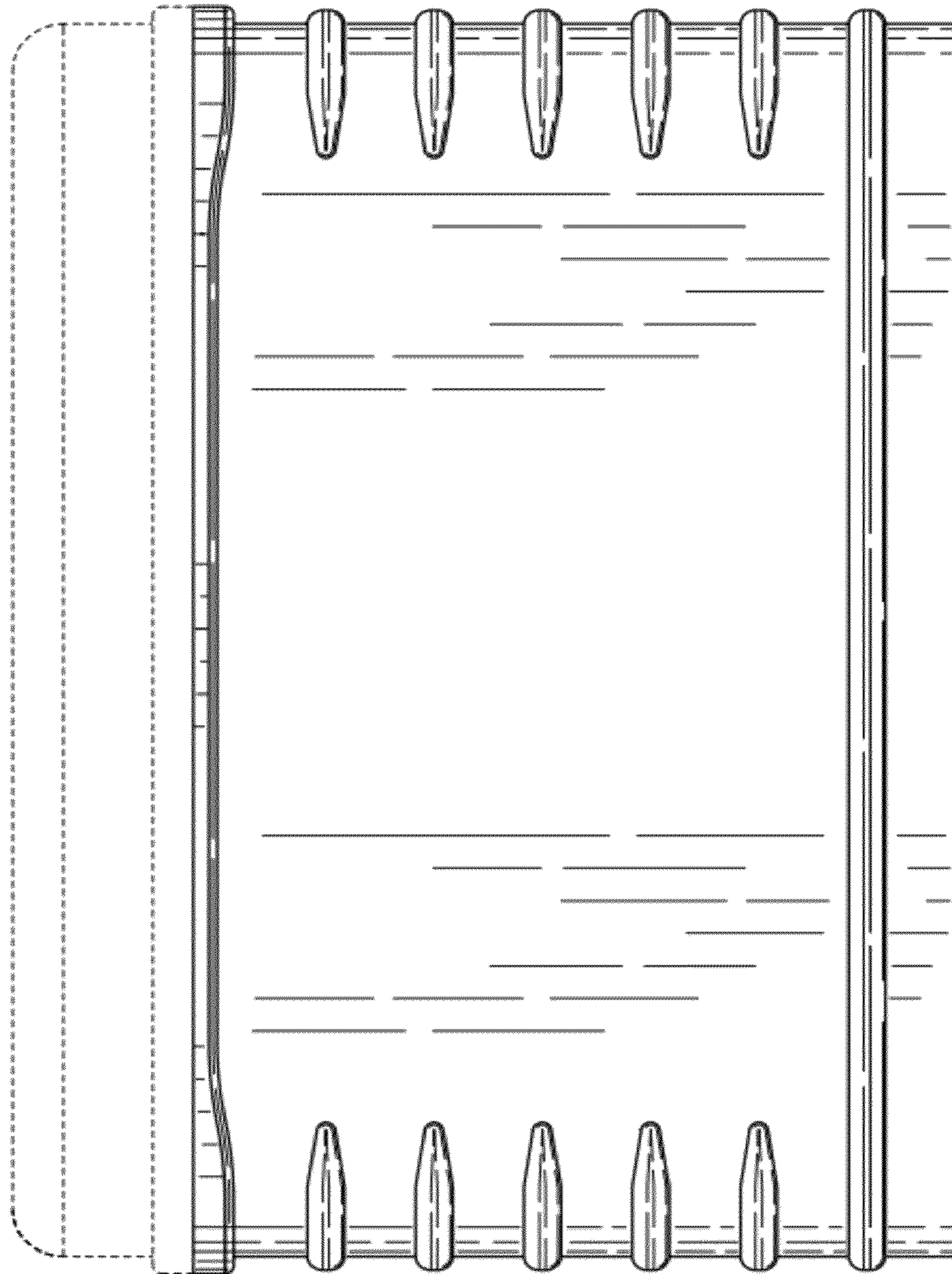


Fig. 2

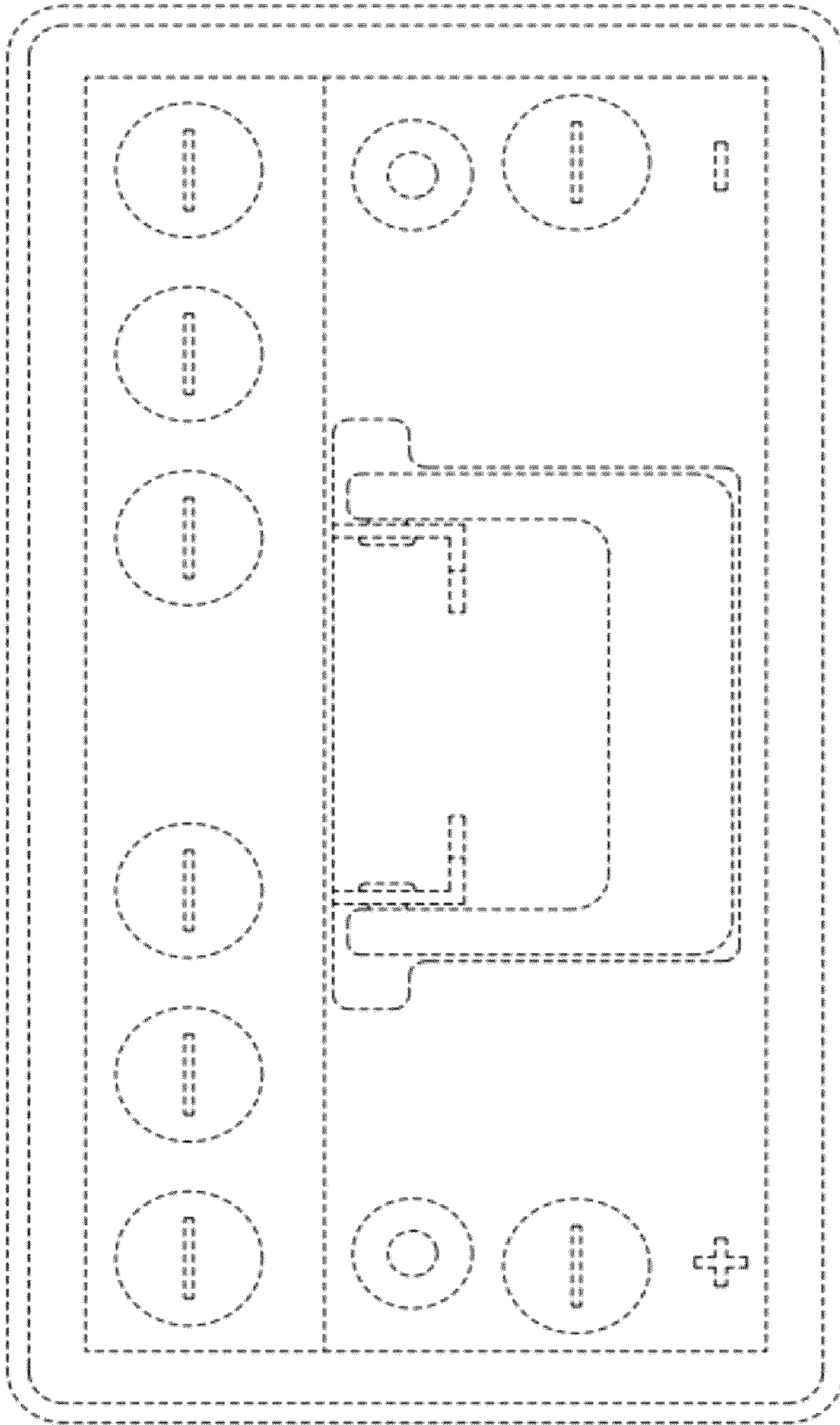
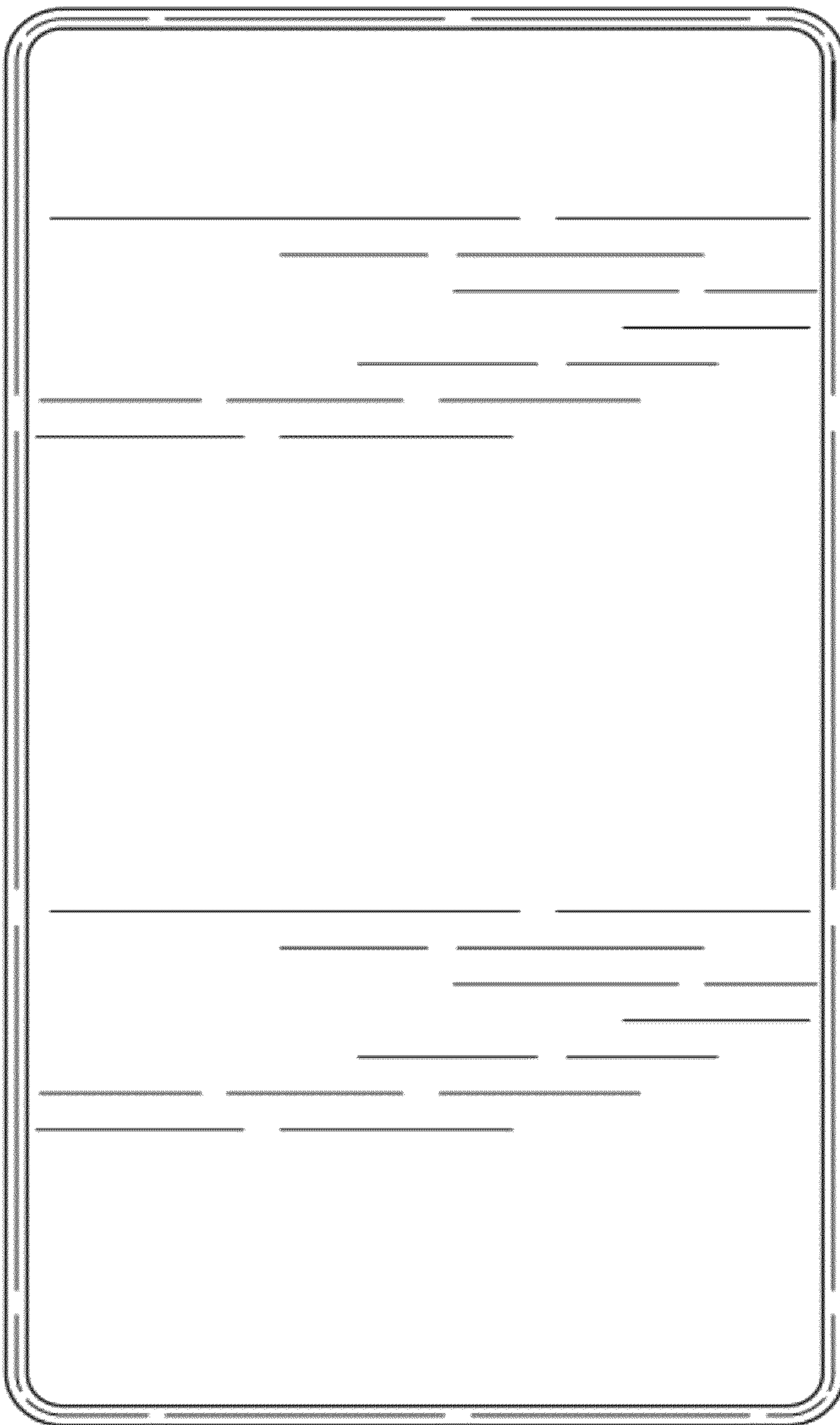


Fig. 3



*Fig. 4*

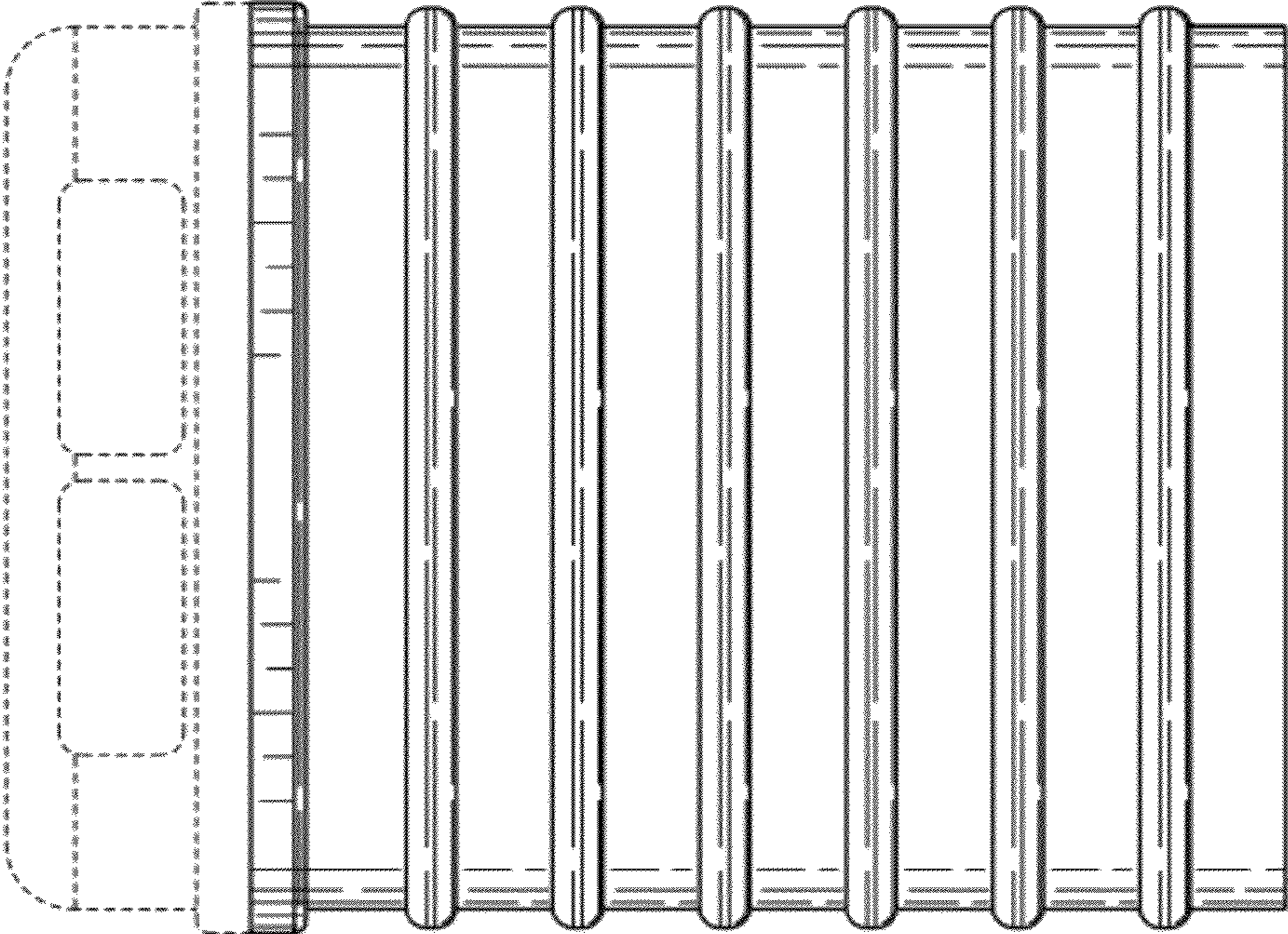


Fig. 5