



US00D665341S

(12) **United States Design Patent**
Chu et al.

(10) **Patent No.:** **US D665,341 S**

(45) **Date of Patent:** **** Aug. 14, 2012**

(54) **EXTERNAL BATTERY**

(76) Inventors: **Yan-Qiu Chu**, Shenzhen (CN);
Zhong-Wei Sun, Shenzhen (CN)

(**) Term: **14 Years**

(21) Appl. No.: **29/399,438**

(22) Filed: **Aug. 15, 2011**

(51) **LOC (9) Cl.** **13-02**

(52) **U.S. Cl.** **D13/103; D13/108**

(58) **Field of Classification Search** D13/102–110,
D13/118–119, 184, 199; D14/250–253,
D14/432, 434; 320/101–102, 107–115, 120;
429/96–100, 149, 159, 163, 176, 177, 186
See application file for complete search history.

(56) **References Cited**

U.S. PATENT DOCUMENTS

D460,411 S *	7/2002	Wang	D13/103
D600,640 S *	9/2009	Stein et al.	D13/103
D601,955 S *	10/2009	Ekmekdje	D13/108
D601,959 S *	10/2009	Lee et al.	D13/119
D601,960 S *	10/2009	Dai	D13/119
D607,817 S *	1/2010	Tan	D13/108
D610,538 S *	2/2010	Wu et al.	D13/103
D632,648 S *	2/2011	Yang	D13/108
D634,704 S *	3/2011	Tieleman et al.	D13/102

D637,952 S *	5/2011	Tan	D13/108
D639,731 S *	6/2011	Sun	D13/103
2008/0053770 A1 *	3/2008	Tynyk	190/100
2009/0051319 A1 *	2/2009	Fang et al.	320/115
2009/0314400 A1 *	12/2009	Liu	150/165
2010/0315041 A1 *	12/2010	Tan	320/115

* cited by examiner

Primary Examiner — Rosemary K Tarcza

(57) **CLAIM**

The ornamental design for an external battery, as shown and described.

DESCRIPTION

FIG. 1 is a perspective view of a external battery showing my new design;

FIG. 2 is a front elevational view thereof;

FIG. 3 is a rear elevational view thereof;

FIG. 4 is a left side elevational view thereof;

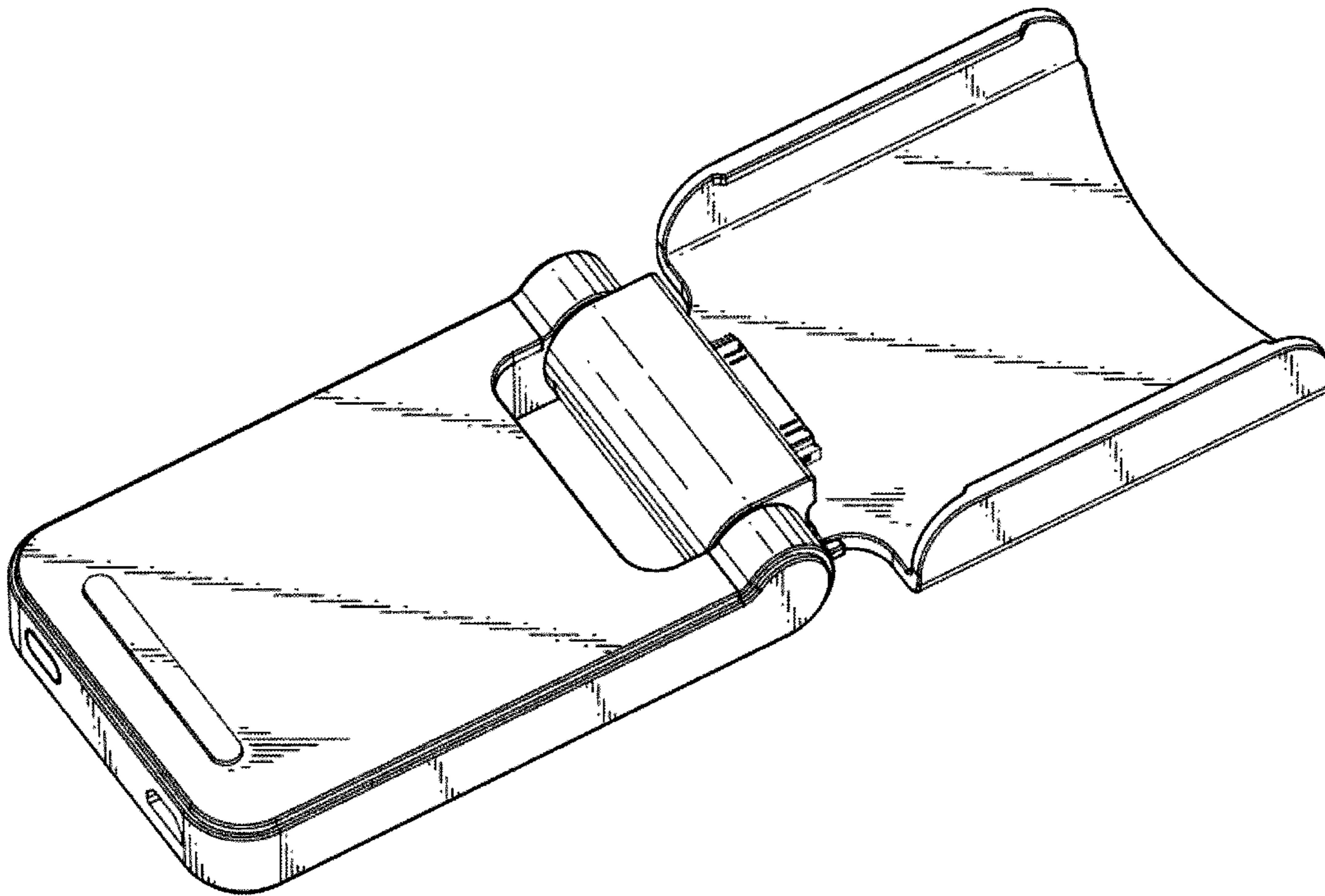
FIG. 5 is a right side elevational view thereof;

FIG. 6 is a top plan view thereof; and,

FIG. 7 is a bottom plan view thereof.

The broken lines / dotted lines / are intended to show features that are environmental only and form no part of the claimed design.

1 Claim, 5 Drawing Sheets



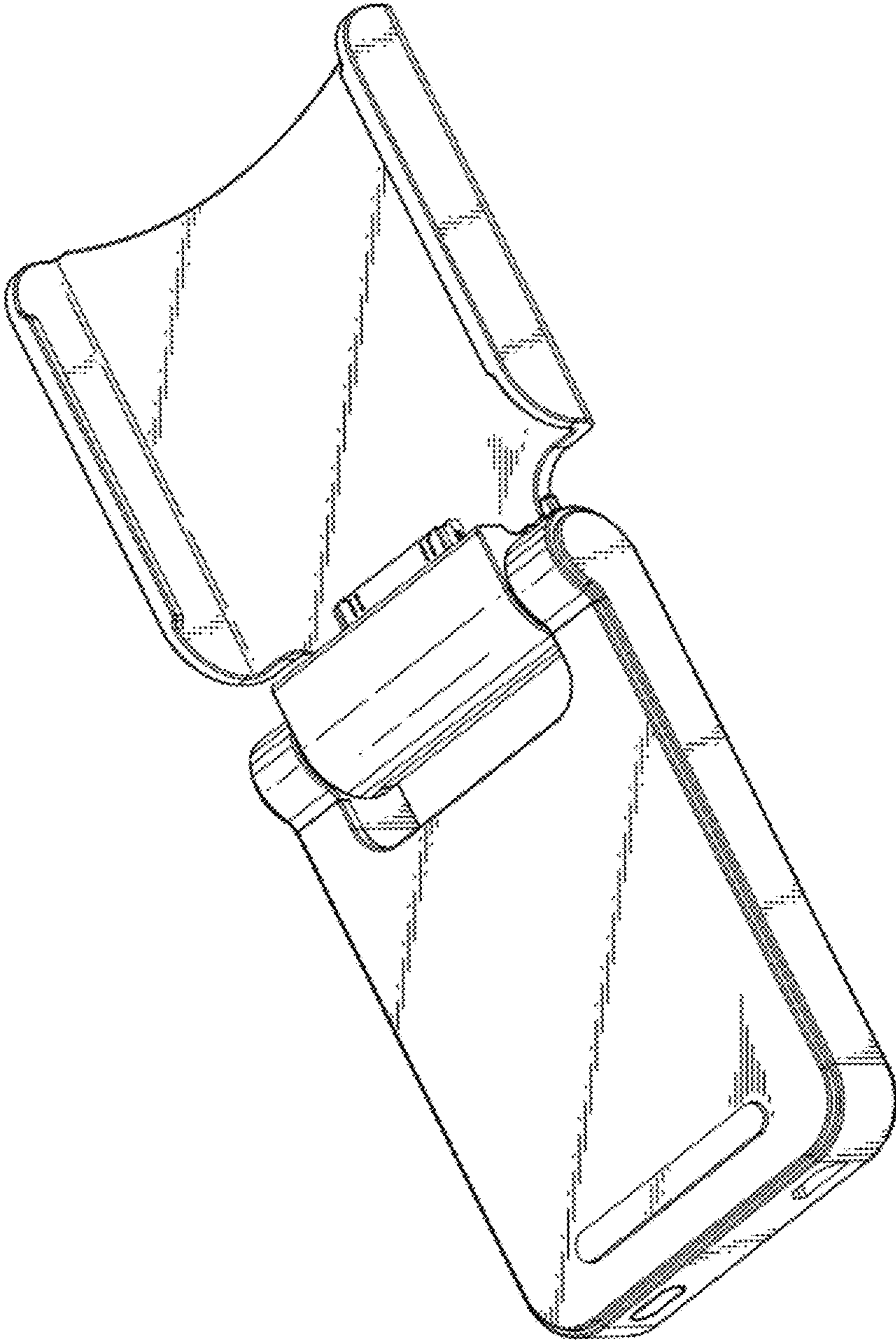


FIG. 1

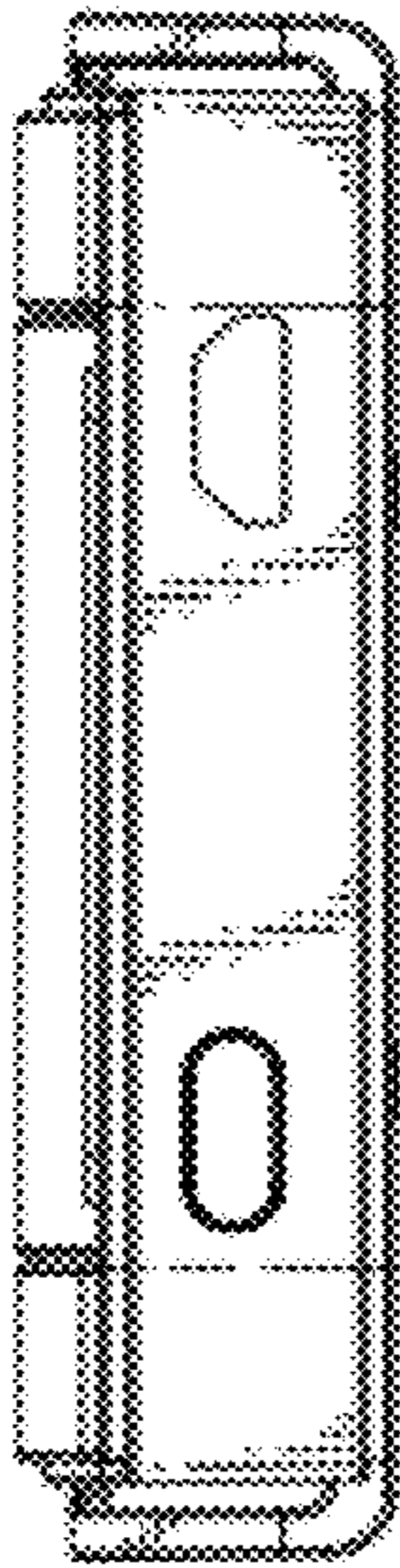


FIG. 2

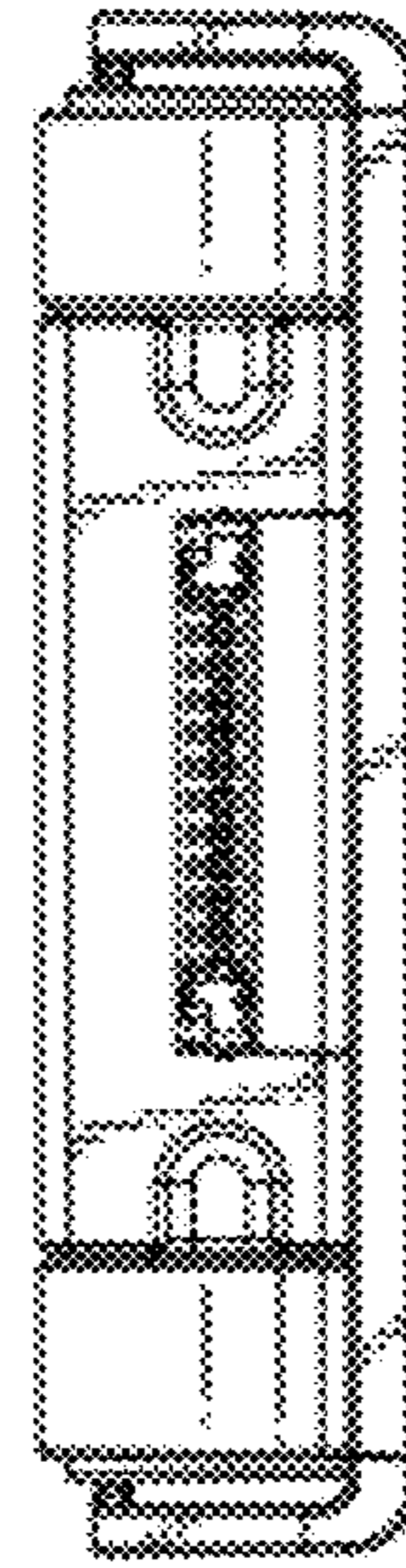


FIG. 3

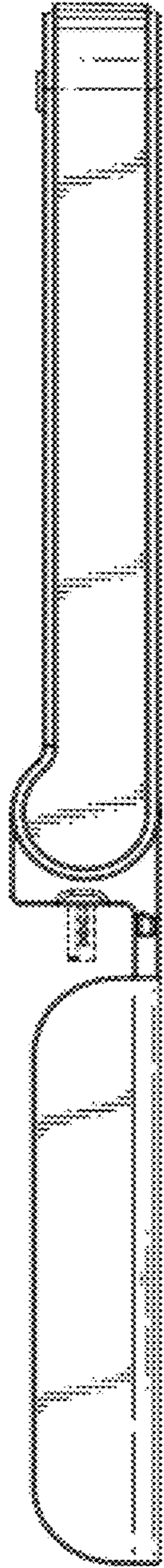


FIG. 4

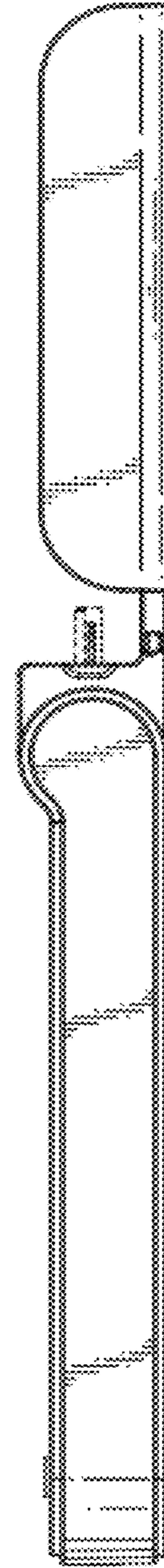


FIG. 5

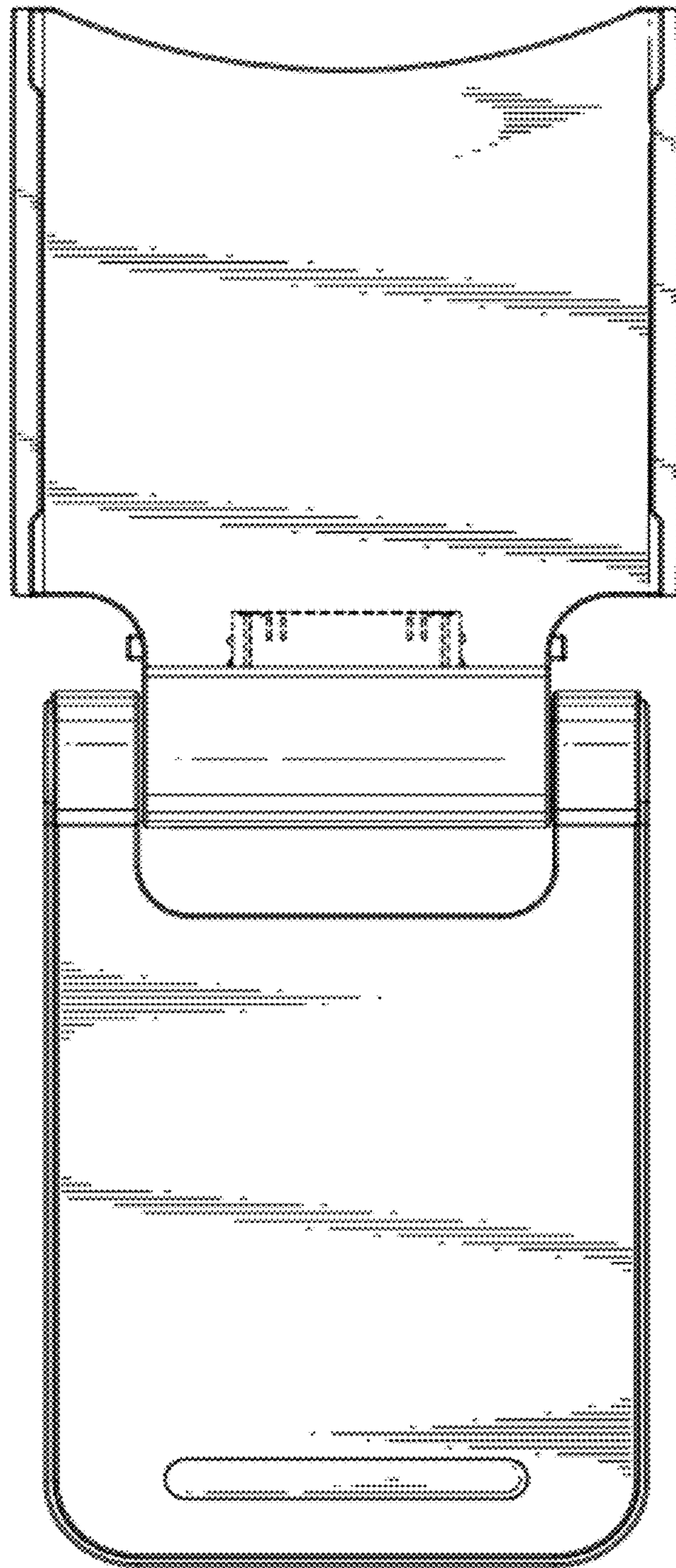


FIG. 6

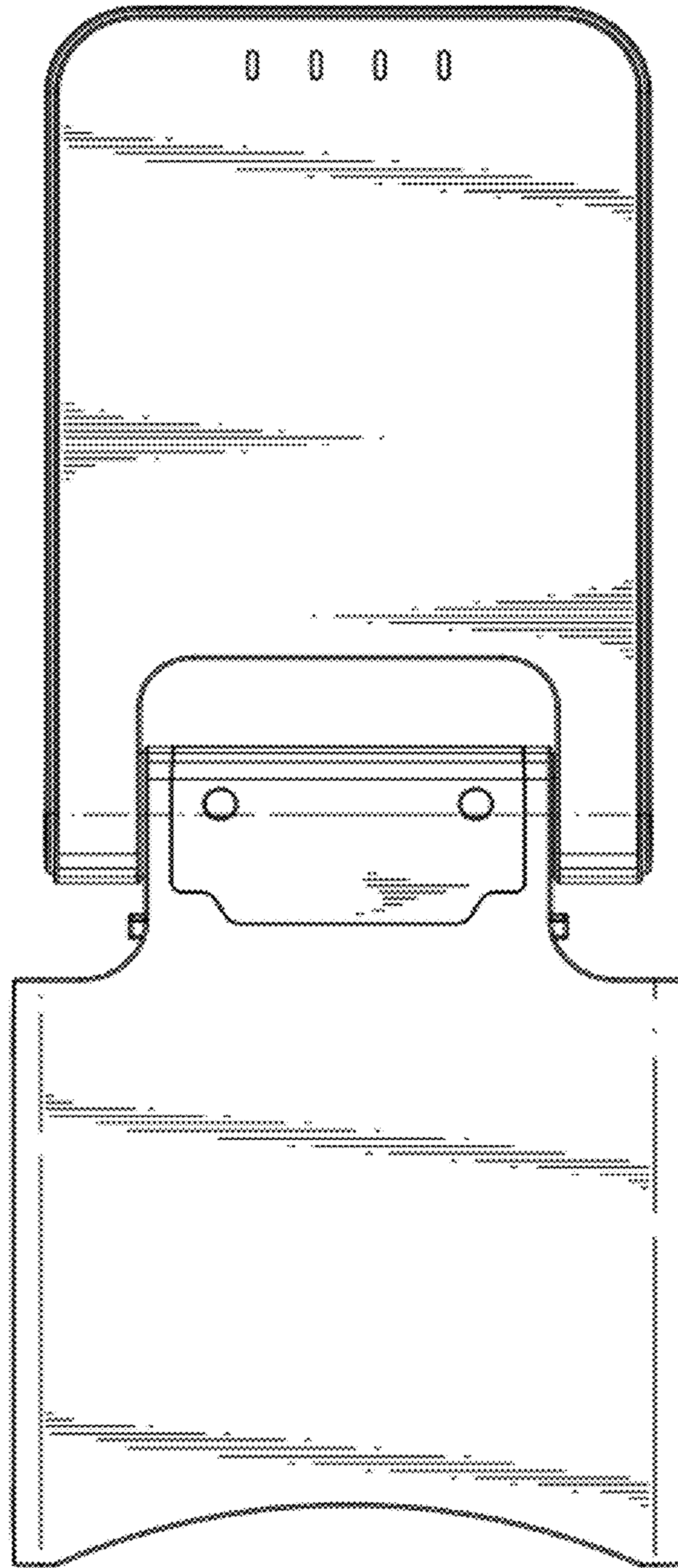


FIG. 7