



US00D665340S

(12) **United States Design Patent**
Obata

(10) **Patent No.:** **US D665,340 S**

(45) **Date of Patent:** **** Aug. 14, 2012**

(54) **RECHARGEABLE BATTERY**

(56) **References Cited**

(75) Inventor: **Shinichi Obata**, Tokyo (JP)

(73) Assignee: **Sony Corporation**, Tokyo (JP)

(**) Term: **14 Years**

(21) Appl. No.: **29/371,731**

(22) Filed: **Aug. 5, 2011**

Related U.S. Application Data

(63) Continuation of application No. 29/371,062, filed on Oct. 6, 2010, now Pat. No. Des. 654,850.

(30) **Foreign Application Priority Data**

Apr. 7, 2010	(JP)	D2010-008775
Apr. 7, 2010	(JP)	D2010-008776
Apr. 7, 2010	(JP)	D2010-008777
Apr. 7, 2010	(JP)	D2010-008778
Apr. 7, 2010	(JP)	D2010-008779
Apr. 7, 2010	(JP)	D2010-008780
Apr. 7, 2010	(JP)	D2010-008781
Apr. 7, 2010	(JP)	D2010-008782
Apr. 7, 2010	(JP)	D2010-008783
Apr. 7, 2010	(JP)	D2010-008784
Apr. 7, 2010	(JP)	D2010-008785
Apr. 7, 2010	(JP)	D2010-008786
Apr. 7, 2010	(JP)	D2010-008787
Apr. 7, 2010	(JP)	D2010-008788

(51) **LOC (9) Cl.** **13-02**

(52) **U.S. Cl.** **D13/103**

(58) **Field of Classification Search** D13/102-106,
D13/110, 118-119, 184; 429/96-100, 163,
429/176

See application file for complete search history.

U.S. PATENT DOCUMENTS

D307,261	S	4/1990	Miki et al.	
D356,776	S *	3/1995	Yoshii	D13/103
D362,424	S *	9/1995	Sumita et al.	D13/103
D377,477	S *	1/1997	Harata et al.	D13/103
D387,727	S *	12/1997	Settsu et al.	D13/103
D403,656	S *	1/1999	Ichikawa	D13/103
D405,766	S *	2/1999	Hartel et al.	D13/184
D417,187	S *	11/1999	Maeyama	D13/103
D417,188	S *	11/1999	Maeyama	D13/103
D428,384	S *	7/2000	Maeyama	D13/103
D432,982	S *	10/2000	Miyashita	D13/103
D439,217	S *	3/2001	Melnicoff	D13/103
D446,183	S *	8/2001	Miyashita	D13/103
D480,682	S	10/2003	Kawase	
D491,137	S	6/2004	Suzuki	
D503,922	S	4/2005	Shimizu	
D508,018	S	8/2005	Yokota	
D512,018	S *	11/2005	Matsuda et al.	D13/103
D515,025	S	2/2006	Yokota	
D517,475	S	3/2006	Yokota	
D519,919	S	5/2006	Yokota	
D520,942	S	5/2006	Yokota	
D521,449	S	5/2006	Yokota	
D524,241	S	7/2006	Takeshita et al.	
D535,249	S	1/2007	Ogasawara	
D554,579	S	11/2007	Ogasawara	
D556,680	S *	12/2007	Matsumoto	D13/103
D560,159	S *	1/2008	Matsumoto	D13/103
D568,807	S *	5/2008	Suzuki et al.	D13/103
D580,350	S	11/2008	Iseki	
D580,850	S	11/2008	Iseki	
D588,058	S *	3/2009	Obata	D13/103
D591,673	S	5/2009	Ogasawara	
8,048,553	B2 *	11/2011	Takeshita et al.	429/97

* cited by examiner

Primary Examiner — Rosemary K Tarcza

(74) *Attorney, Agent, or Firm* — Rader, Fishman & Grauer PLLC

(57) **CLAIM**

The ornamental design for a rechargeable battery, as shown.

DESCRIPTION

FIG. 1 is a front, top, right perspective view of a first embodiment of a rechargeable battery showing my new design;

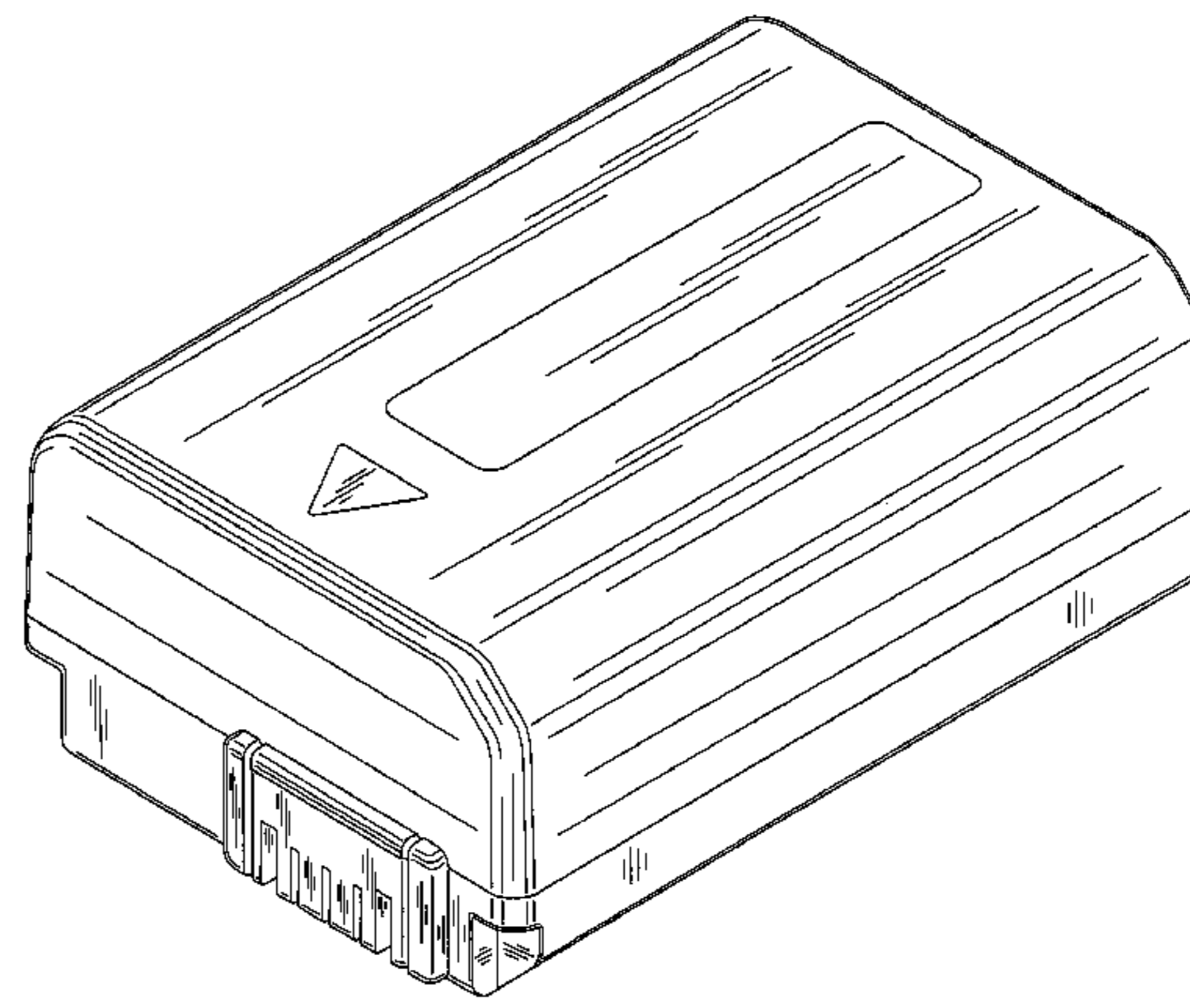
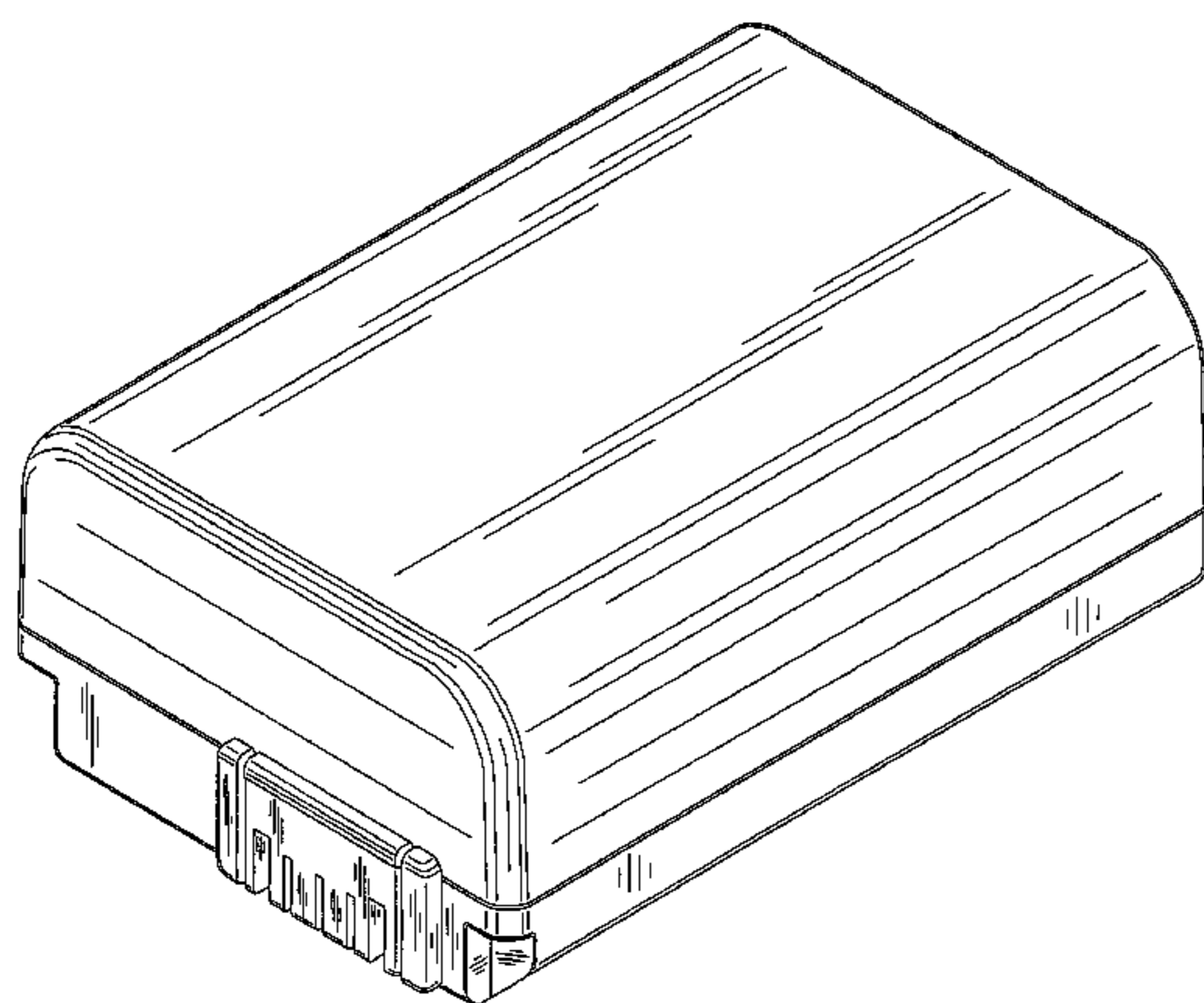


FIG. 2 is a front, bottom, right perspective view thereof;
FIG. 3 is a front elevational view thereof;
FIG. 4 is a rear elevational view thereof;
FIG. 5 is a left side elevational view thereof;
FIG. 6 is a right side elevational view thereof;
FIG. 7 is a top plan view thereof; and
FIG. 8 is a bottom plan view thereof.
FIG. 9 is a front, top, right perspective view of a second embodiment of a rechargeable battery showing my new design;
FIG. 10 is a front, bottom, right perspective view thereof;
FIG. 11 is a front elevational view thereof;
FIG. 12 is a rear elevational view thereof;
FIG. 13 is a left side elevational view thereof;
FIG. 14 is a right side elevational view thereof;
FIG. 15 is a top plan view thereof; and
FIG. 16 is a bottom plan view thereof.
FIG. 17 is a front, top, right perspective view of a third embodiment of a rechargeable battery showing my new design;
FIG. 18 is a front, bottom, right perspective view thereof;
FIG. 19 is a front elevational view thereof;
FIG. 20 is a rear elevational view thereof;
FIG. 21 is a left elevational view thereof;
FIG. 22 is a right side elevational view thereof;
FIG. 23 is a top plan view thereof; and
FIG. 24 is a bottom plan view thereof.
FIG. 25 is a front, top, right perspective view of a fourth embodiment of a rechargeable battery showing my new design;
FIG. 26 is a front, bottom, right perspective view thereof;
FIG. 27 is a front elevational view thereof;
FIG. 28 is a rear elevational view thereof;
FIG. 29 is a left elevational view thereof;
FIG. 30 is a right side elevational view thereof;
FIG. 31 is a top plan view thereof; and
FIG. 32 is a bottom plan view thereof.
FIG. 33 is a front, top, right perspective view of a fifth embodiment of a rechargeable battery showing my new design;
FIG. 34 is a front, bottom, right perspective view thereof;
FIG. 35 is a front elevational view thereof;
FIG. 36 is a rear elevational view thereof;
FIG. 37 is a left elevational view thereof;
FIG. 38 is a right side elevational view thereof;
FIG. 39 is a top plan view thereof; and
FIG. 40 is a bottom plan view thereof.
FIG. 41 is a front, top, right perspective view of a sixth embodiment of a rechargeable battery showing my new design;
FIG. 42 is a front, bottom, right perspective view thereof;

FIG. 43 is a front elevational view thereof;
FIG. 44 is a rear elevational view thereof;
FIG. 45 is a left elevational view thereof;
FIG. 46 is a right side elevational view thereof;
FIG. 47 is a top plan view thereof; and
FIG. 48 is a bottom plan view thereof.
FIG. 49 is a front, top, right perspective view of a seventh embodiment of a rechargeable battery showing my new design;
FIG. 50 is a front, bottom, right perspective view thereof;
FIG. 51 is a front elevational view thereof;
FIG. 52 is a rear elevational view thereof;
FIG. 53 is a left elevational view thereof;
FIG. 54 is a right side elevational view thereof;
FIG. 55 is a top plan view thereof; and
FIG. 56 is a bottom plan view thereof.
FIG. 57 is a front, top, right perspective view of an eighth embodiment of a rechargeable battery showing my new design;
FIG. 58 is a front, bottom, right perspective view thereof;
FIG. 59 is a front elevational view thereof;
FIG. 60 is a rear elevational view thereof;
FIG. 61 is a left elevational view thereof;
FIG. 62 is a right side elevational view thereof;
FIG. 63 is a top plan view thereof; and
FIG. 64 is a bottom plan view thereof.
FIG. 65 is a front, top, right perspective view of a ninth embodiment of a rechargeable battery showing my new design;
FIG. 66 is a front, bottom, right perspective view thereof;
FIG. 67 is a front elevational view thereof;
FIG. 68 is a rear elevational view thereof;
FIG. 69 is a left elevational view thereof;
FIG. 70 is a right side elevational view thereof;
FIG. 71 is a top plan view thereof; and
FIG. 72 is a bottom plan view thereof.
FIG. 73 is a front, top, right perspective view of a tenth embodiment of a rechargeable battery showing my new design;
FIG. 74 is a front, bottom, right perspective view thereof;
FIG. 75 is a front elevational view thereof;
FIG. 76 is a rear elevational view thereof;
FIG. 77 is a left elevational view thereof;
FIG. 78 is a right side elevational view thereof;
FIG. 79 is a top plan view thereof; and
FIG. 80 is a bottom plan view thereof.

1 Claim, 60 Drawing Sheets

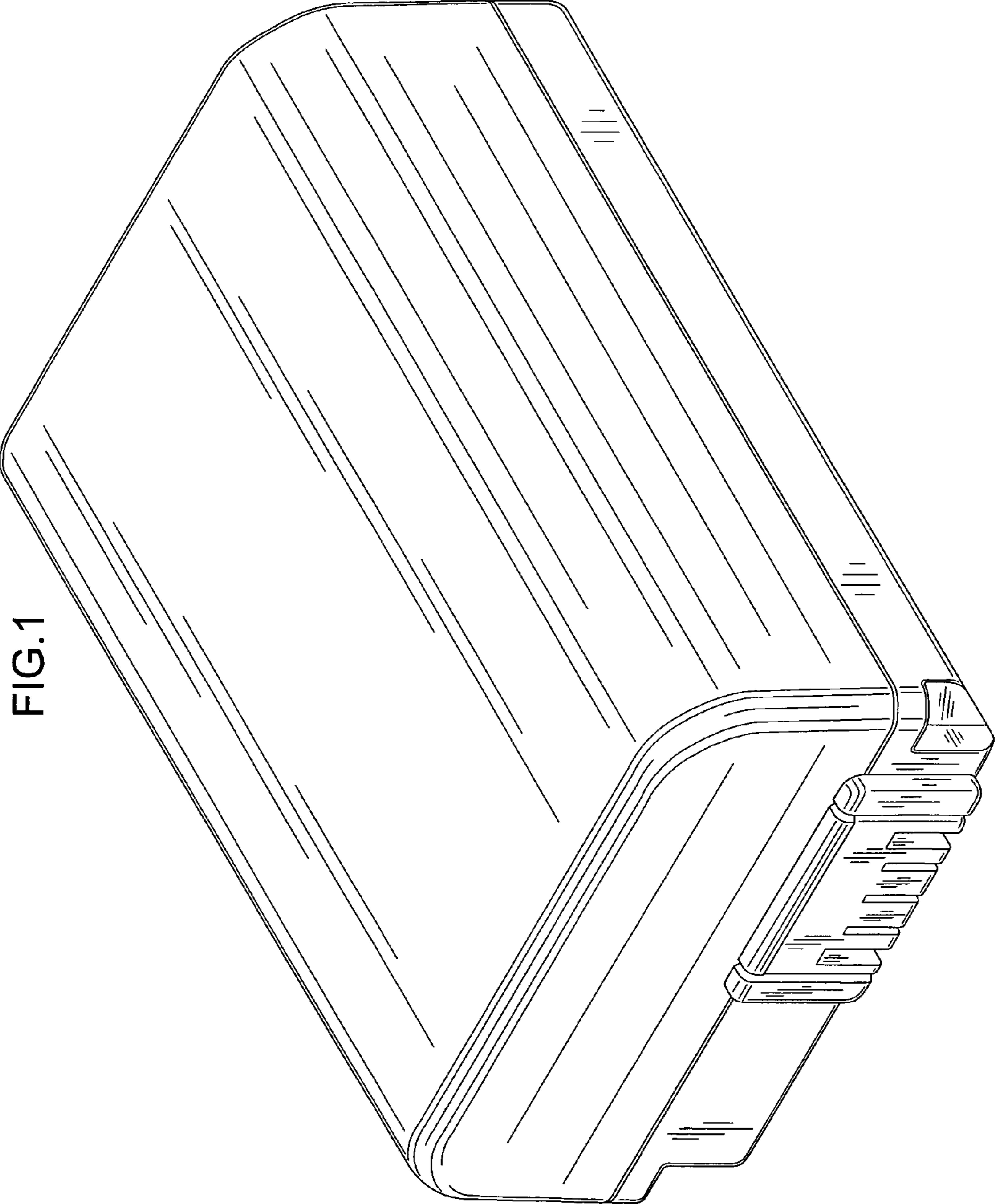


FIG.1

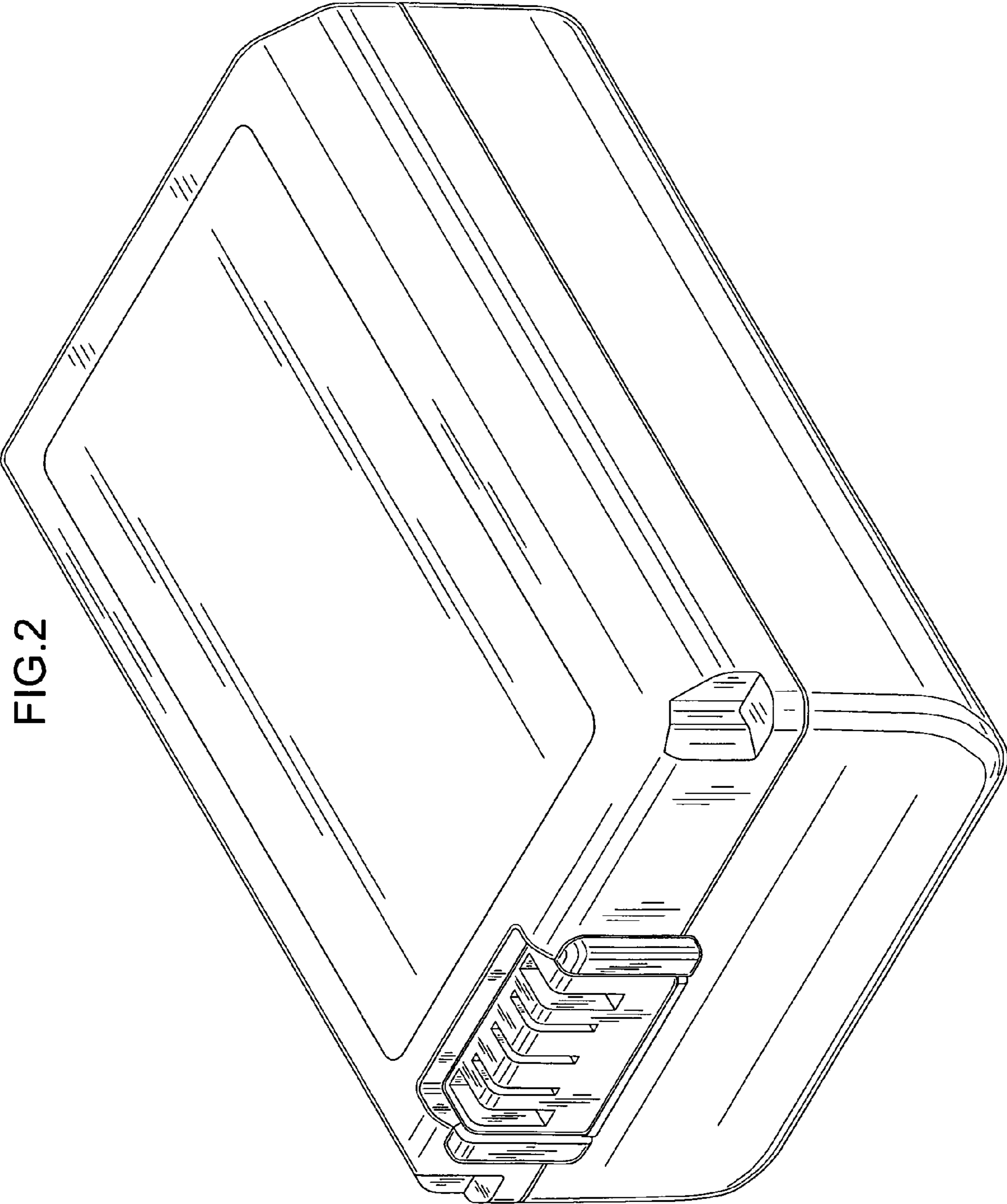


FIG. 2

FIG.3

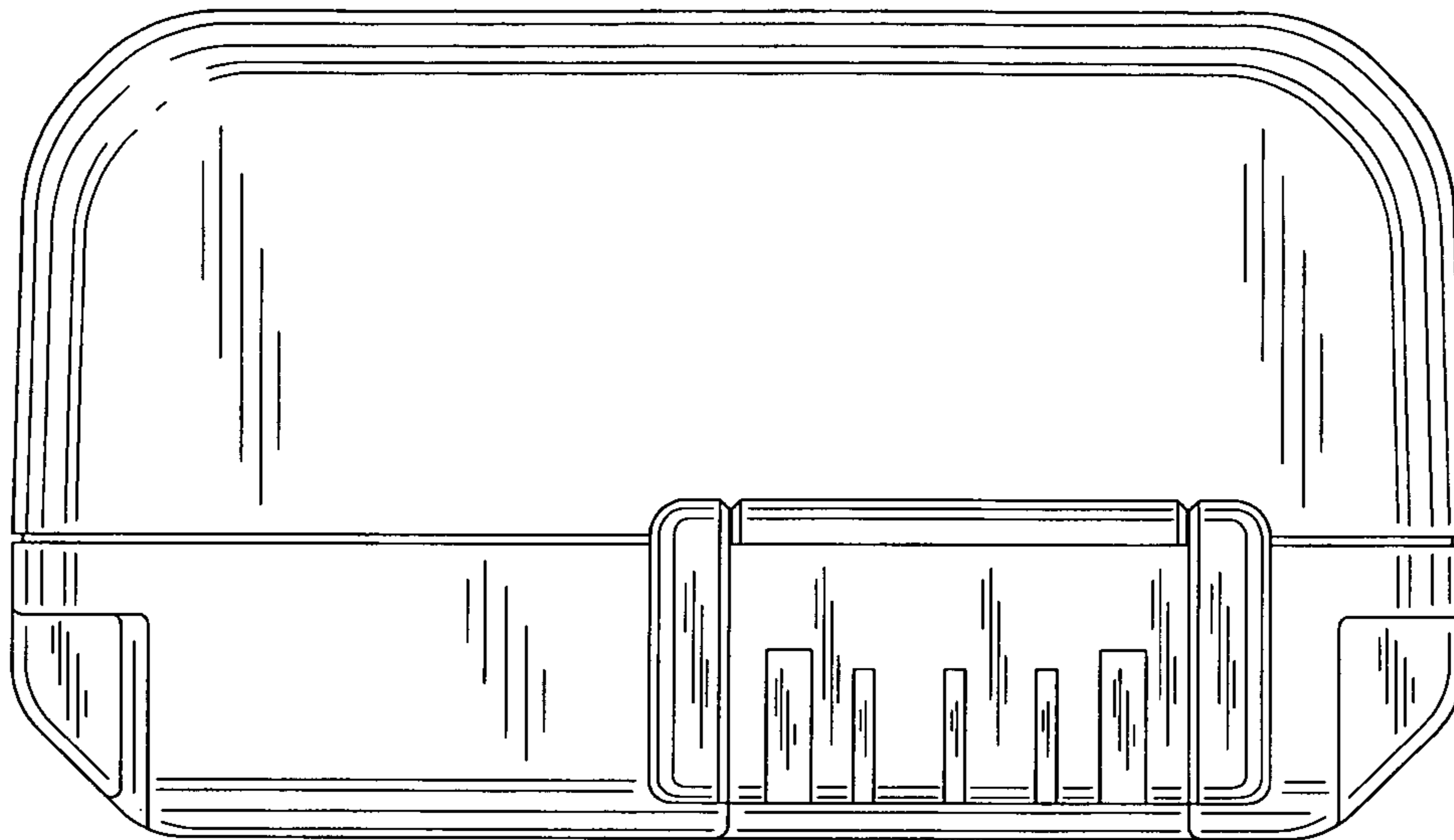
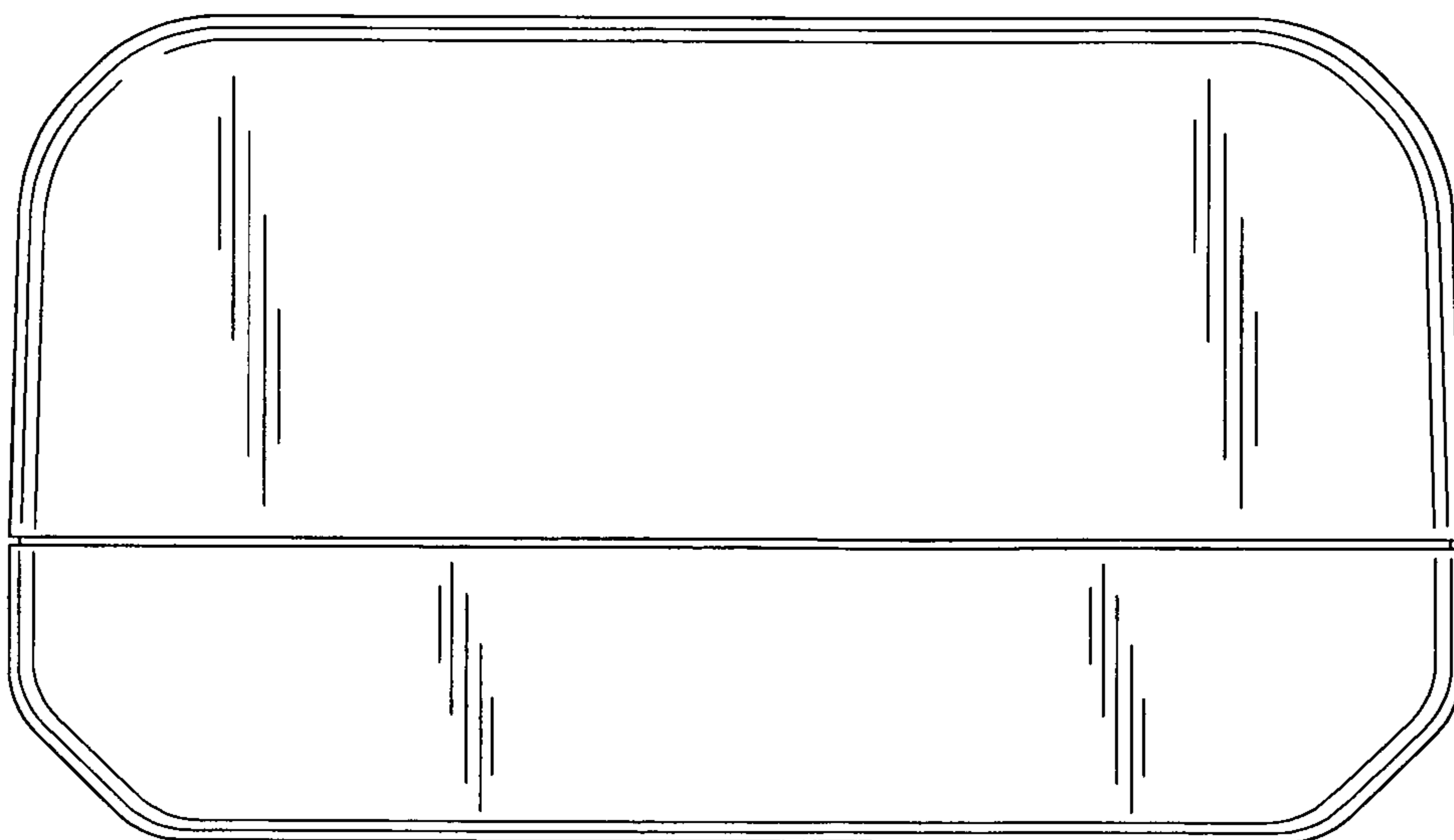


FIG.4



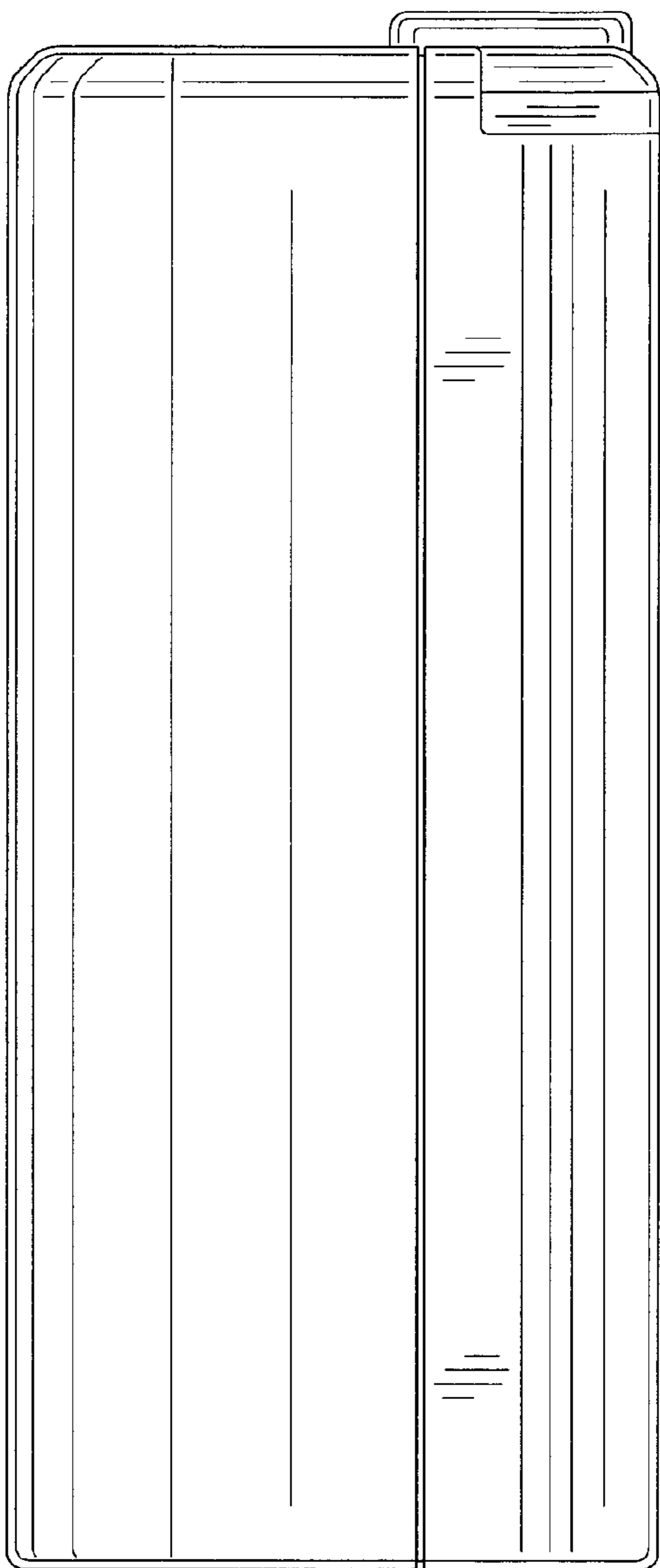


FIG. 5

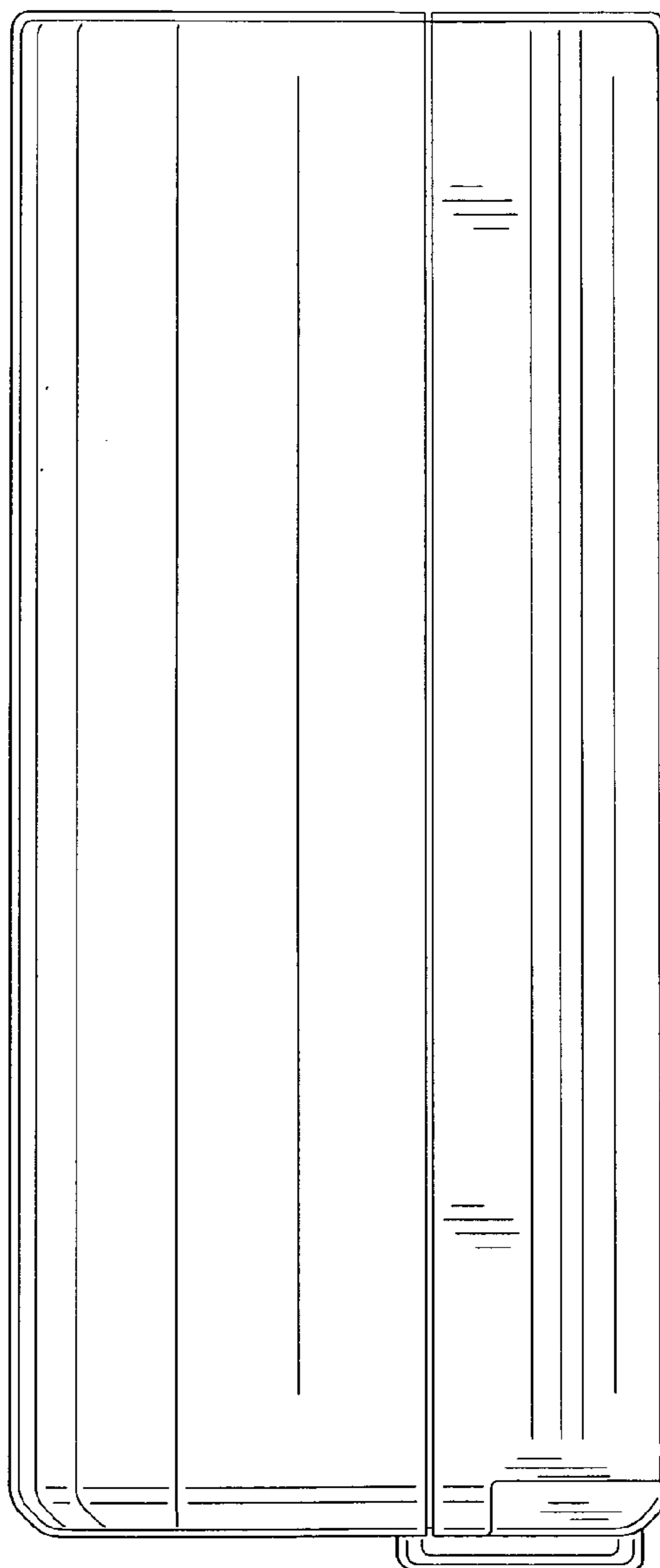


FIG. 6

FIG.7

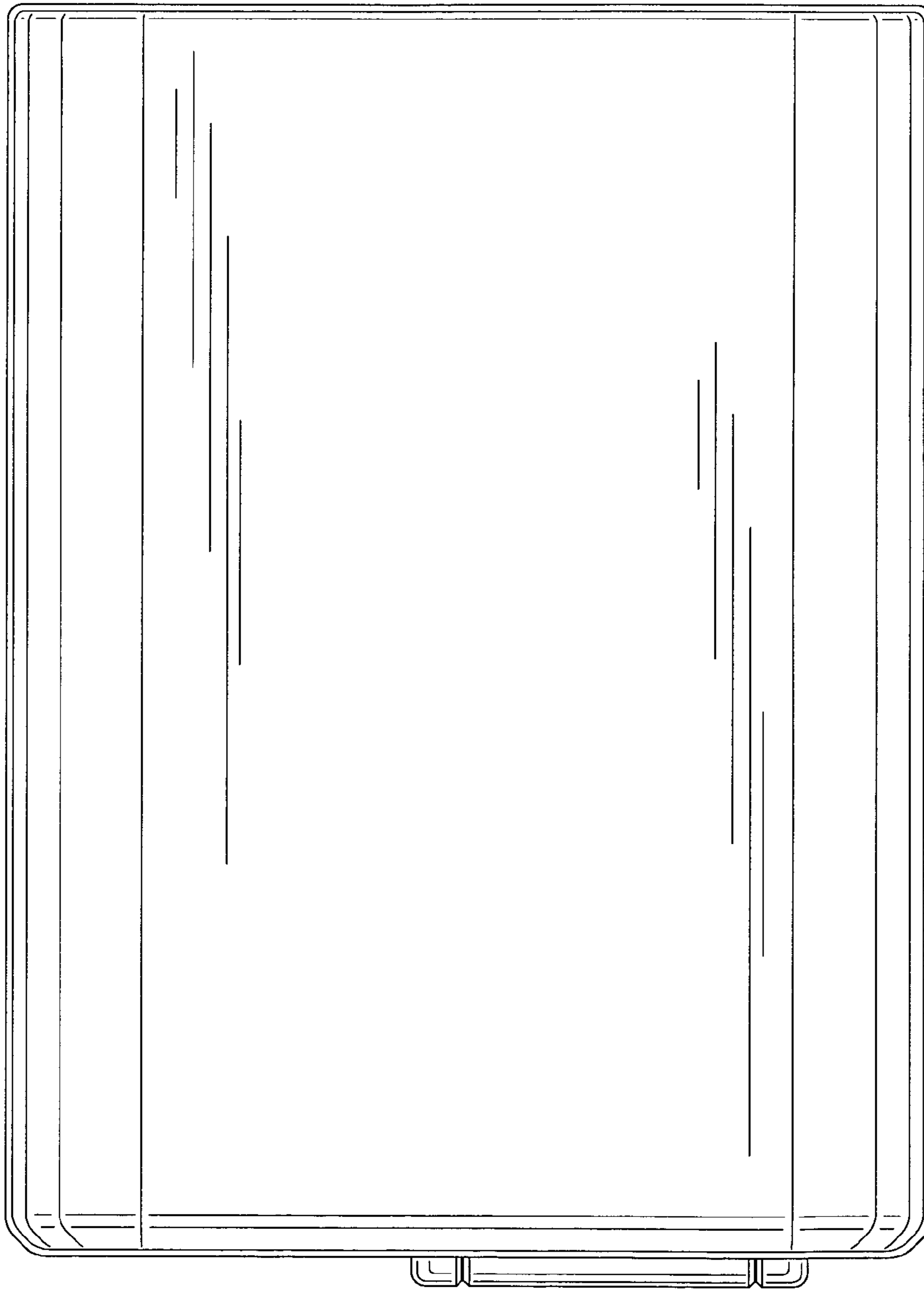
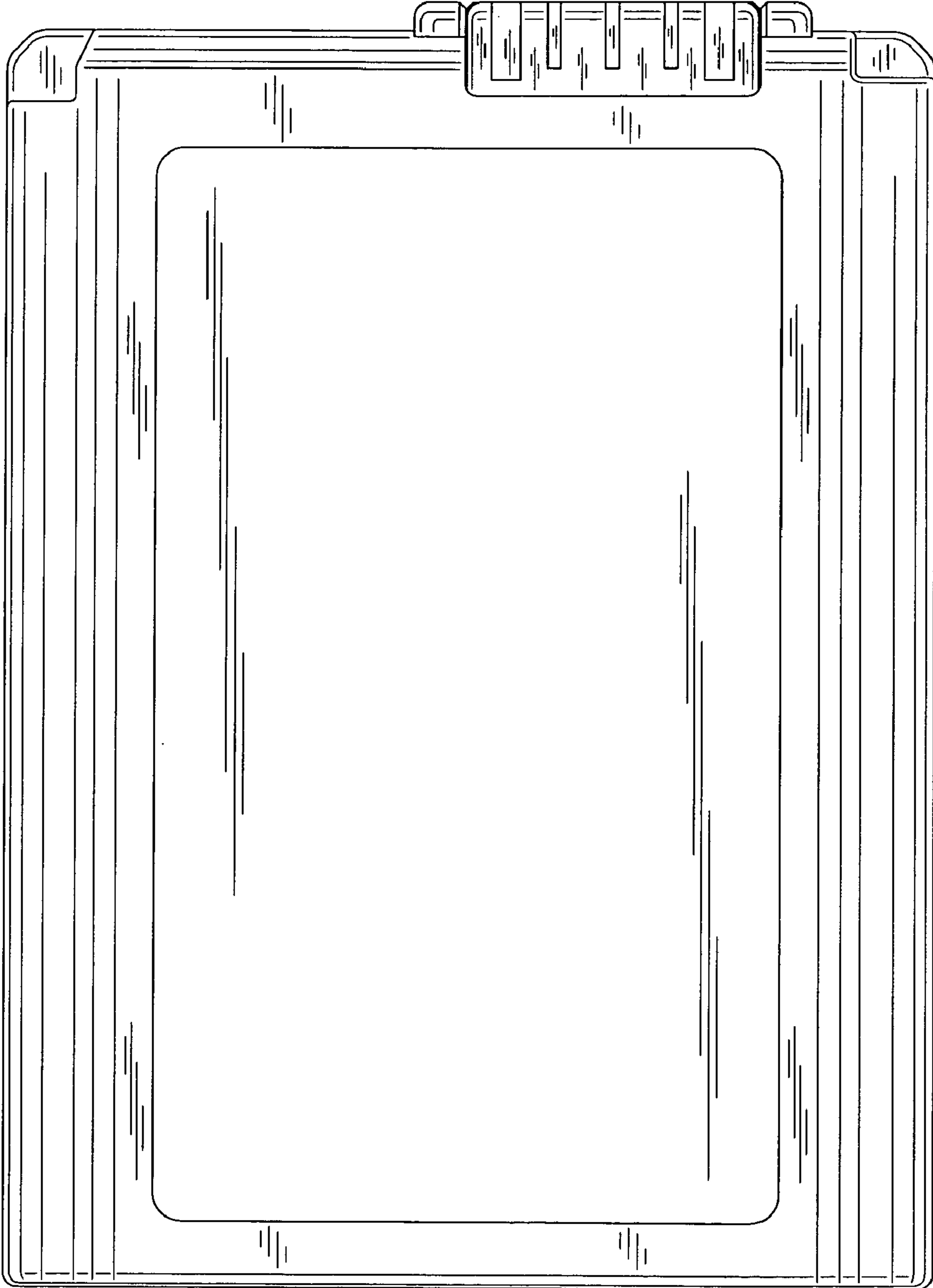


FIG.8



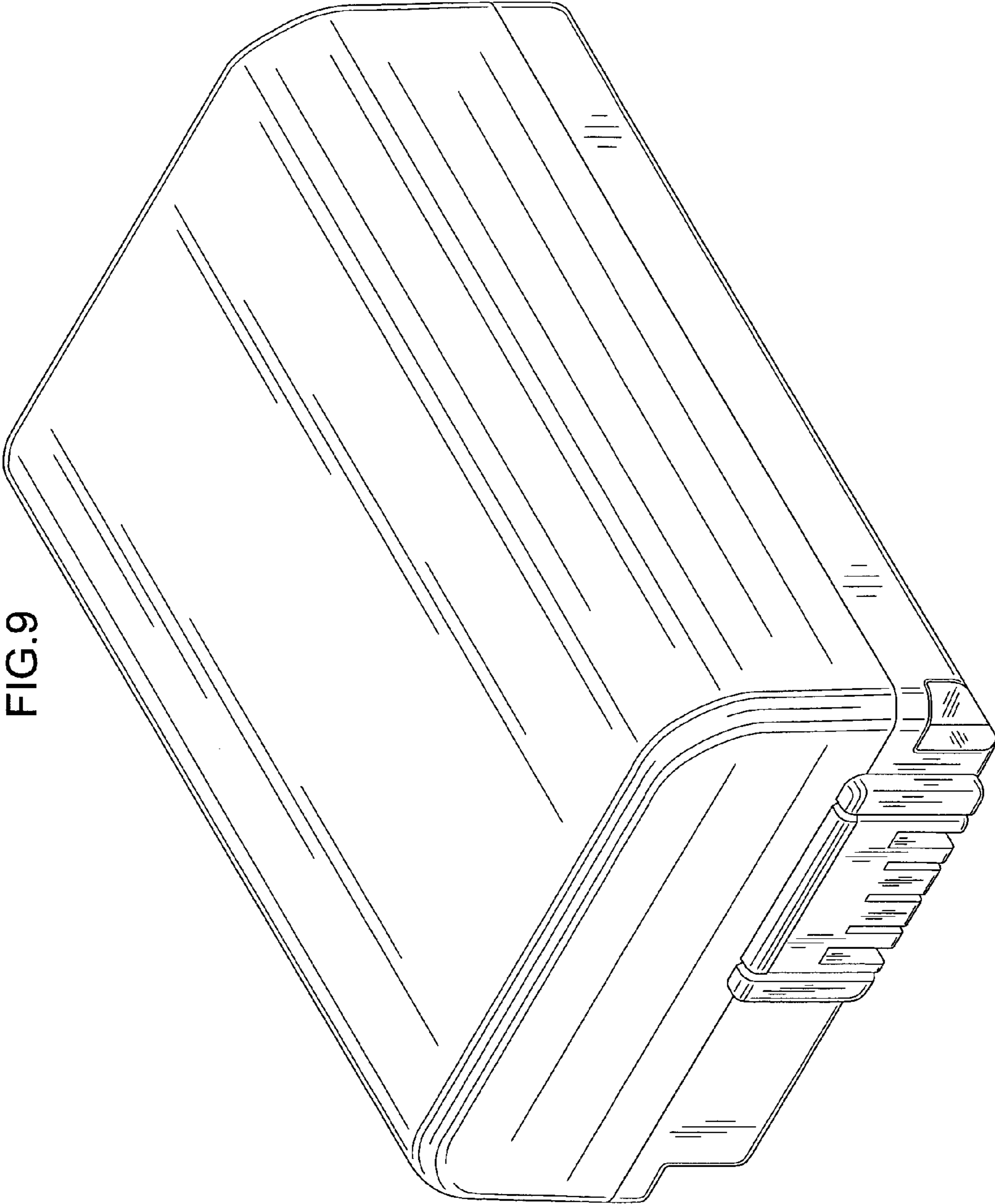


FIG. 9

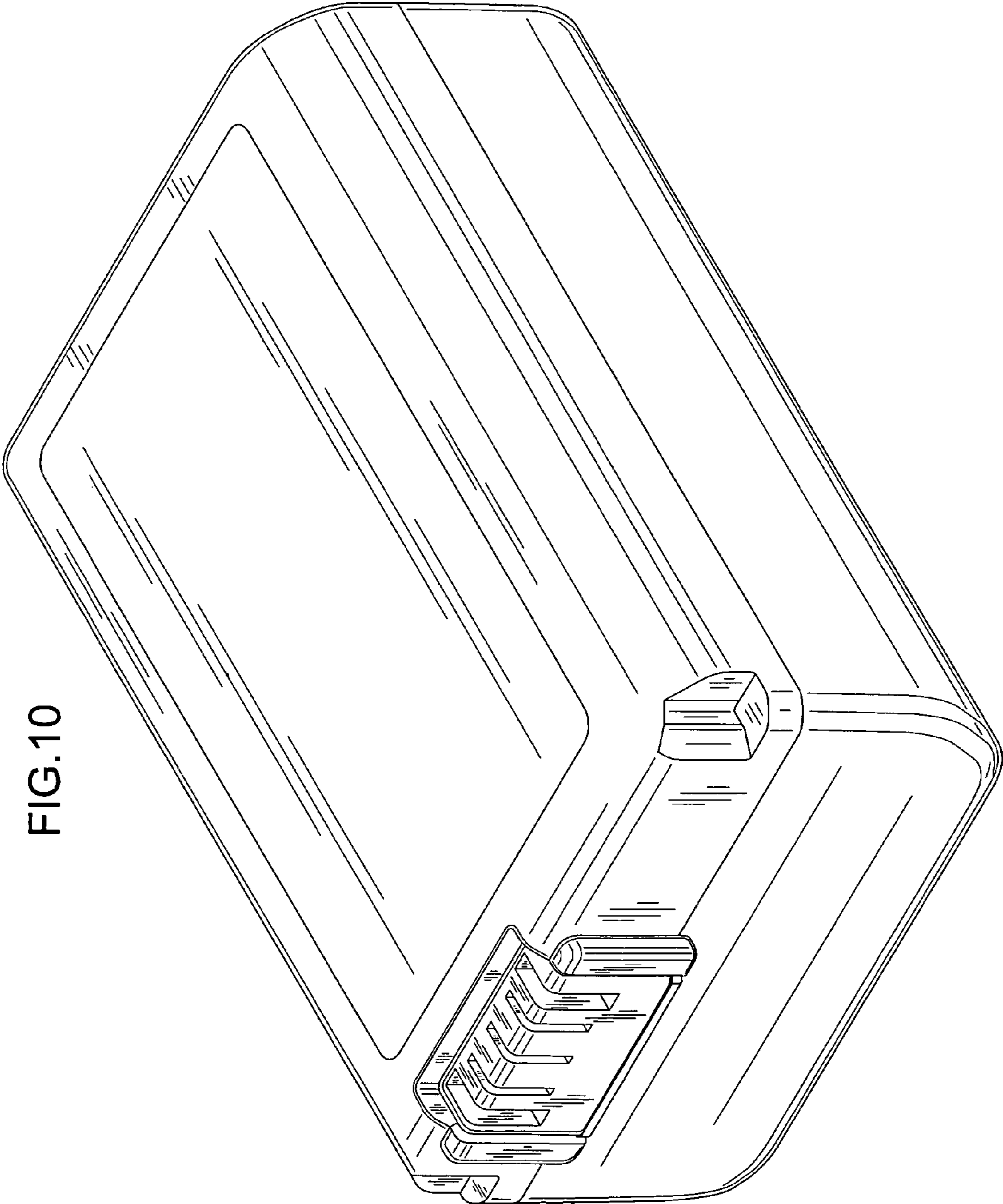


FIG.10

FIG.11

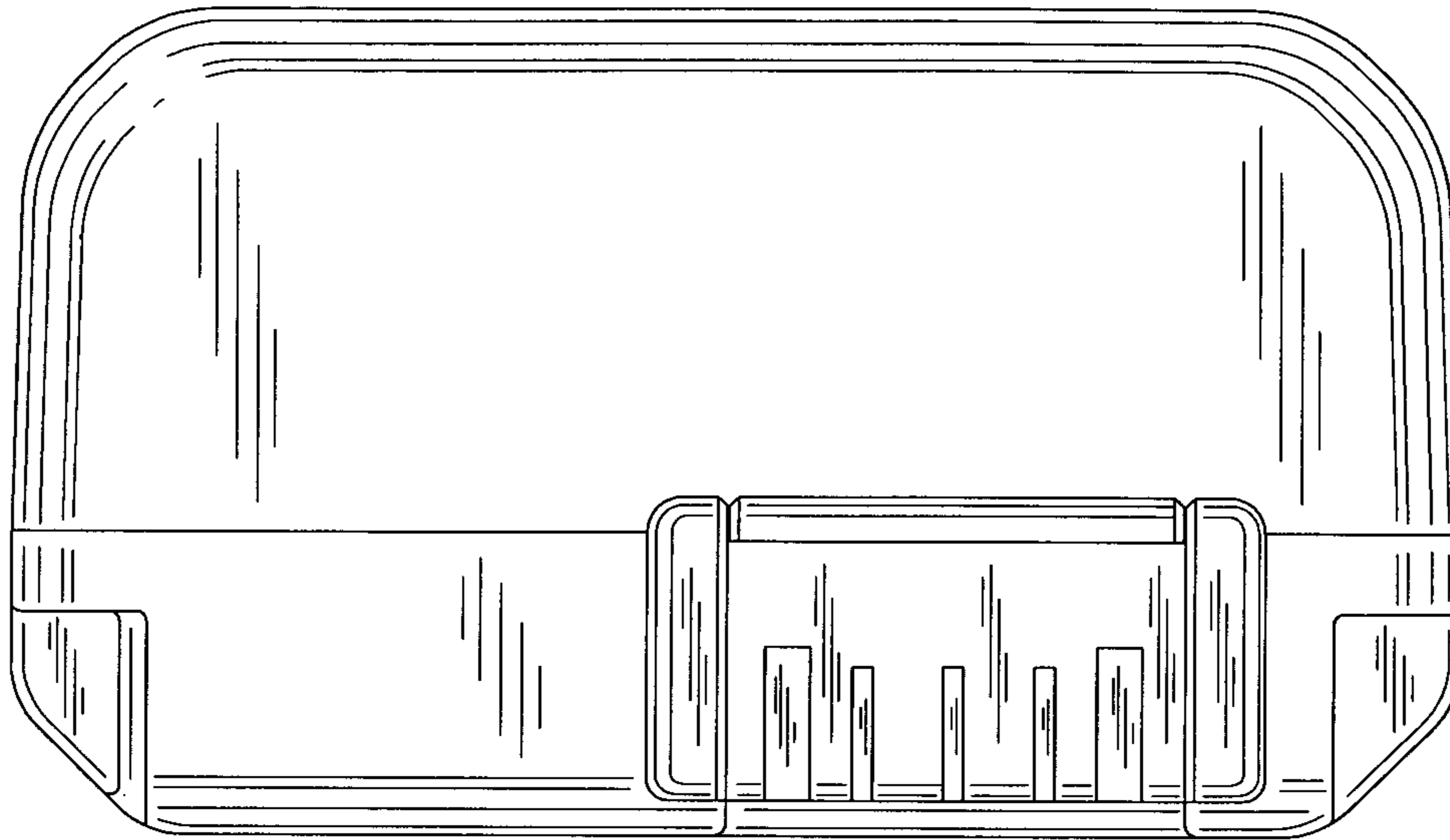
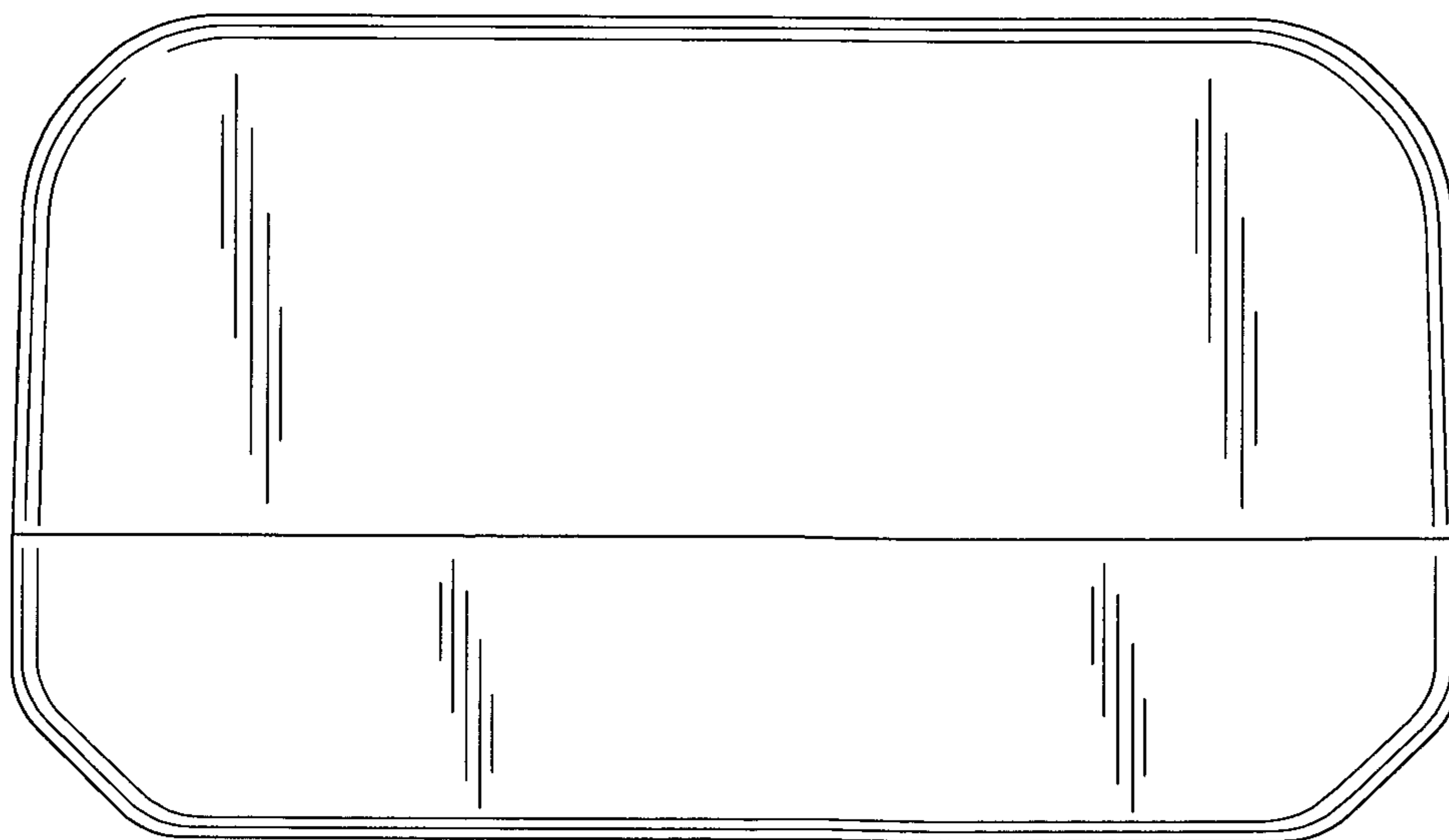


FIG.12



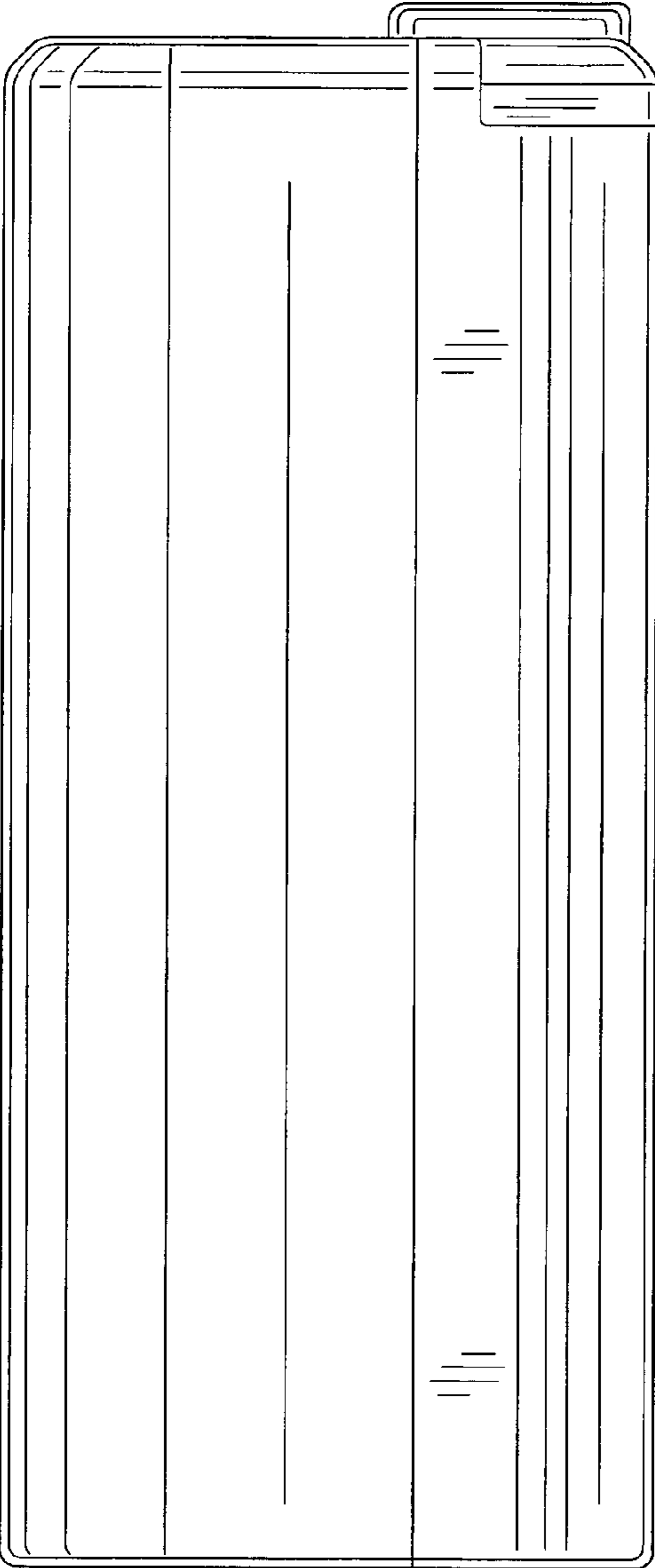


FIG.13

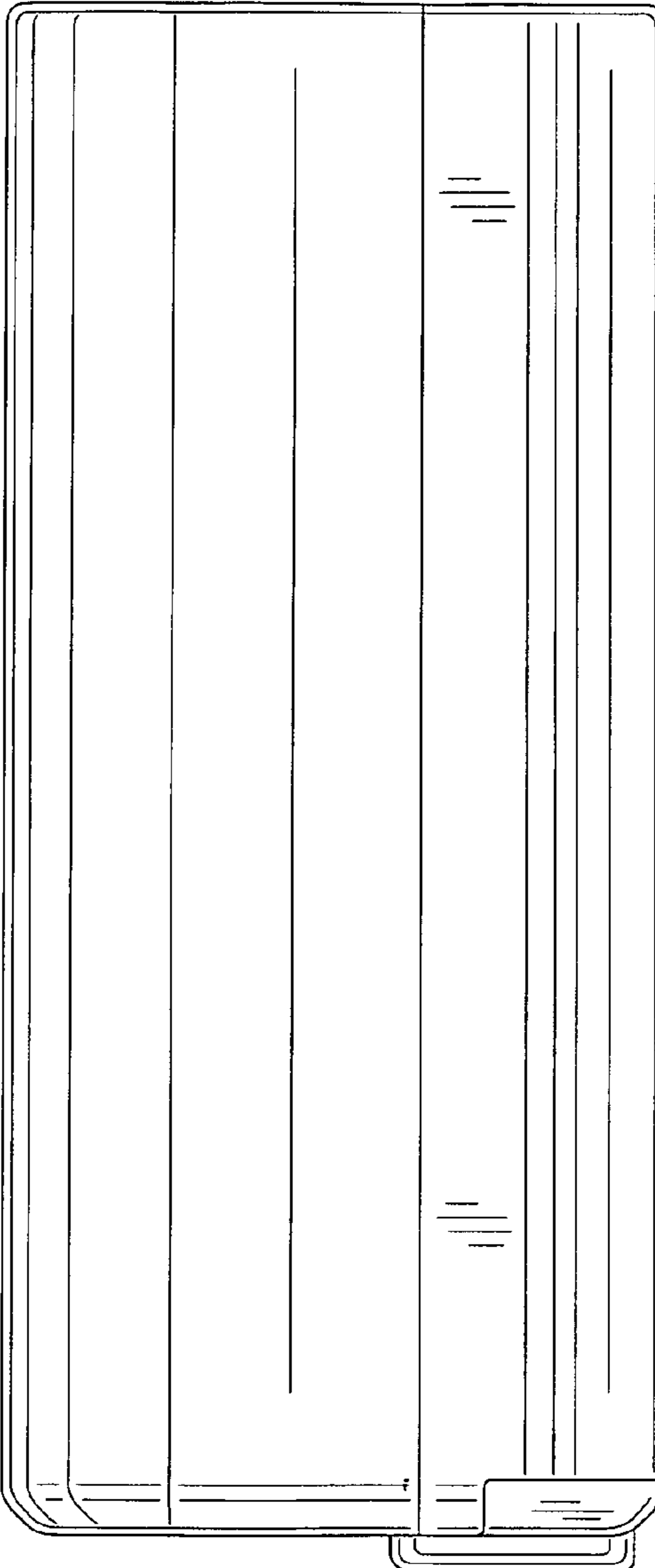


FIG.14

FIG.15

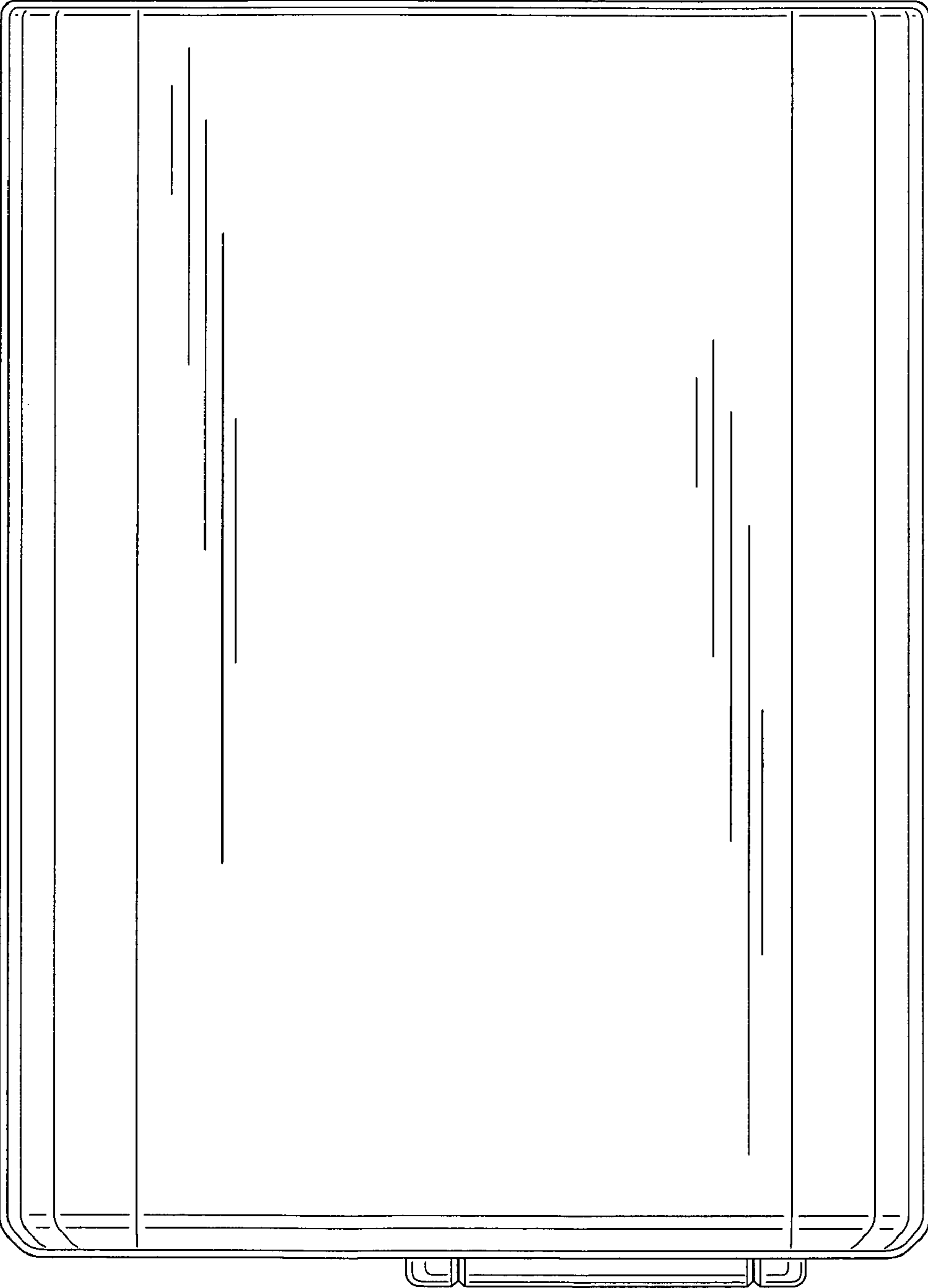
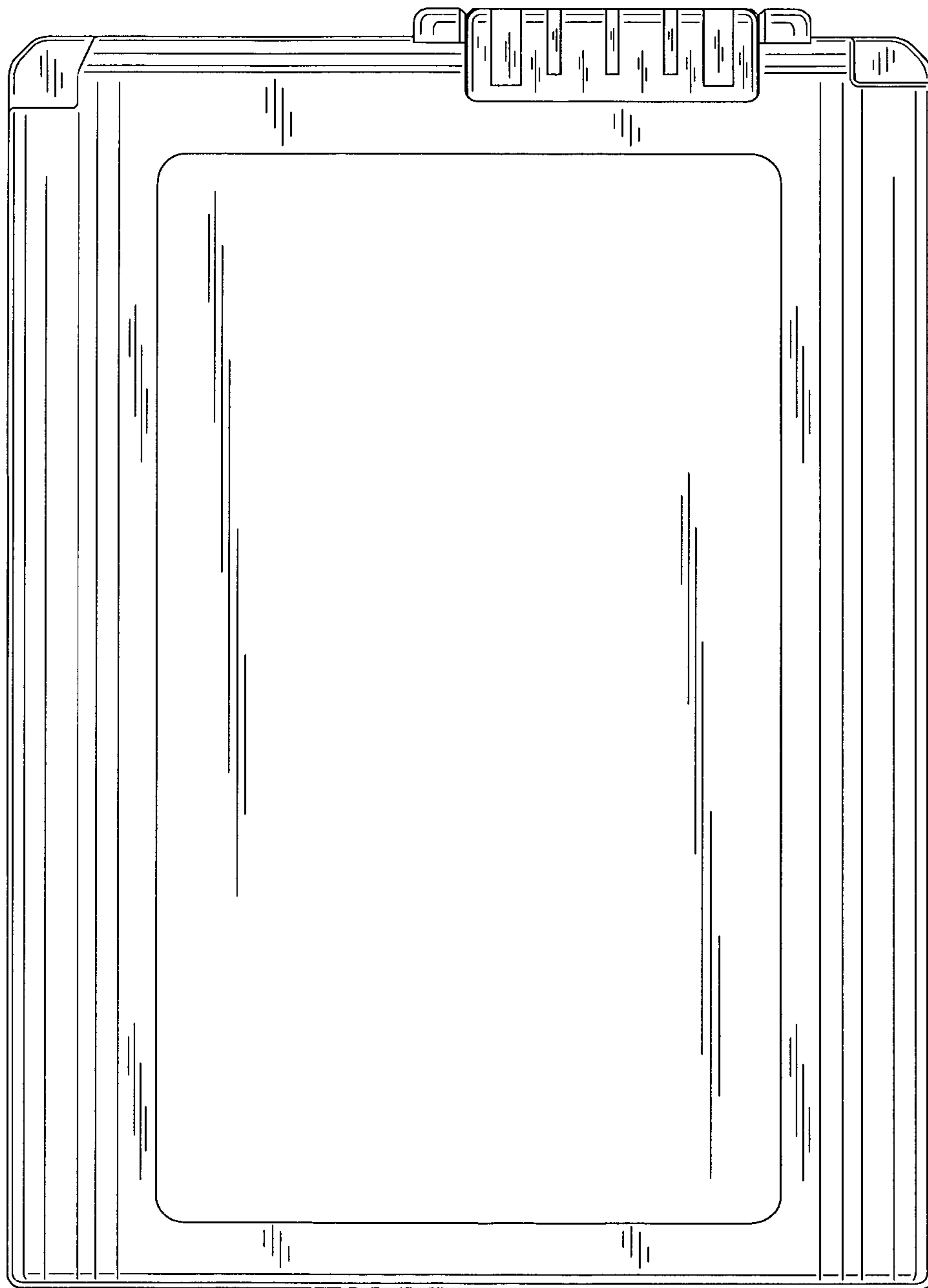


FIG.16



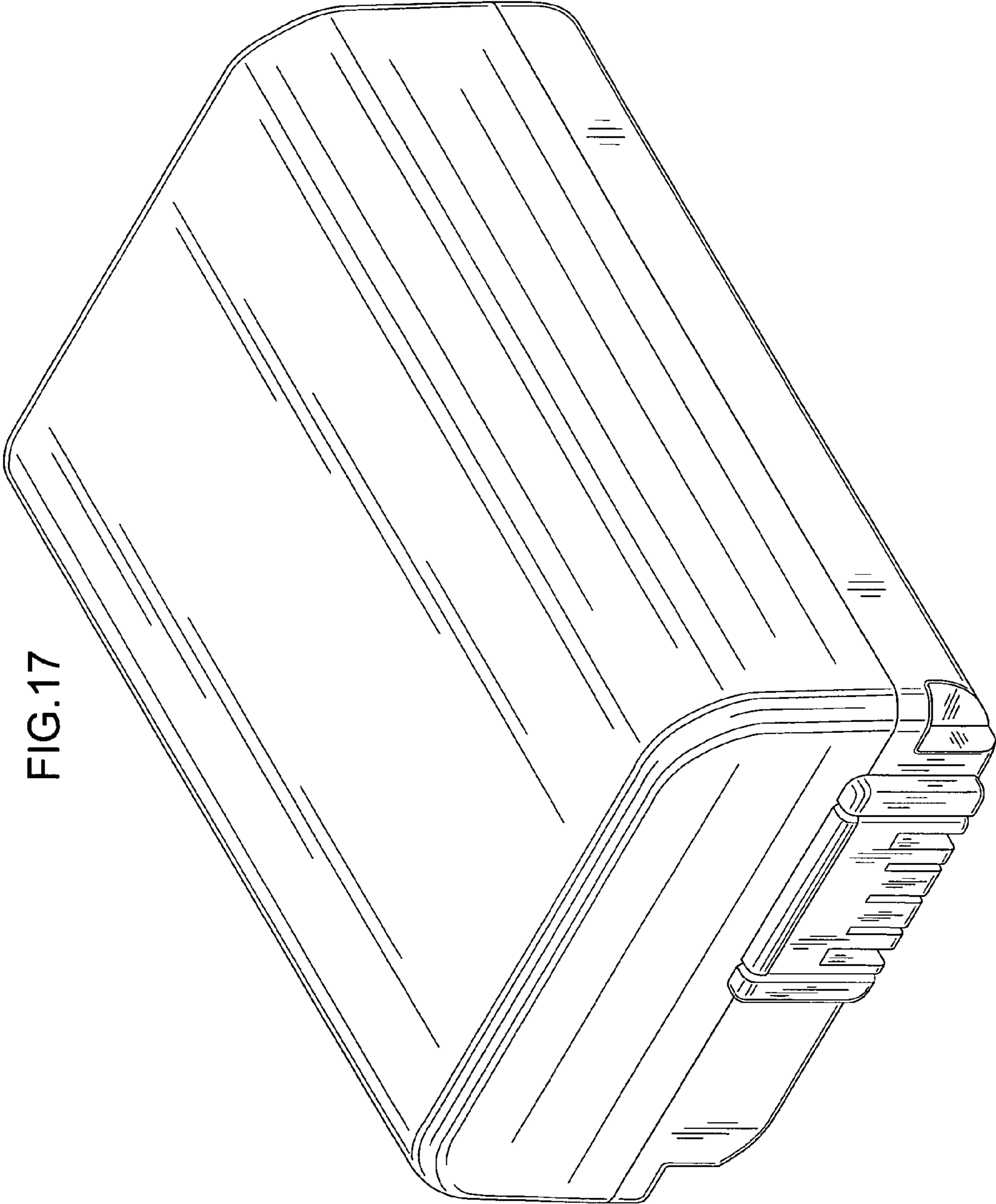


FIG.17

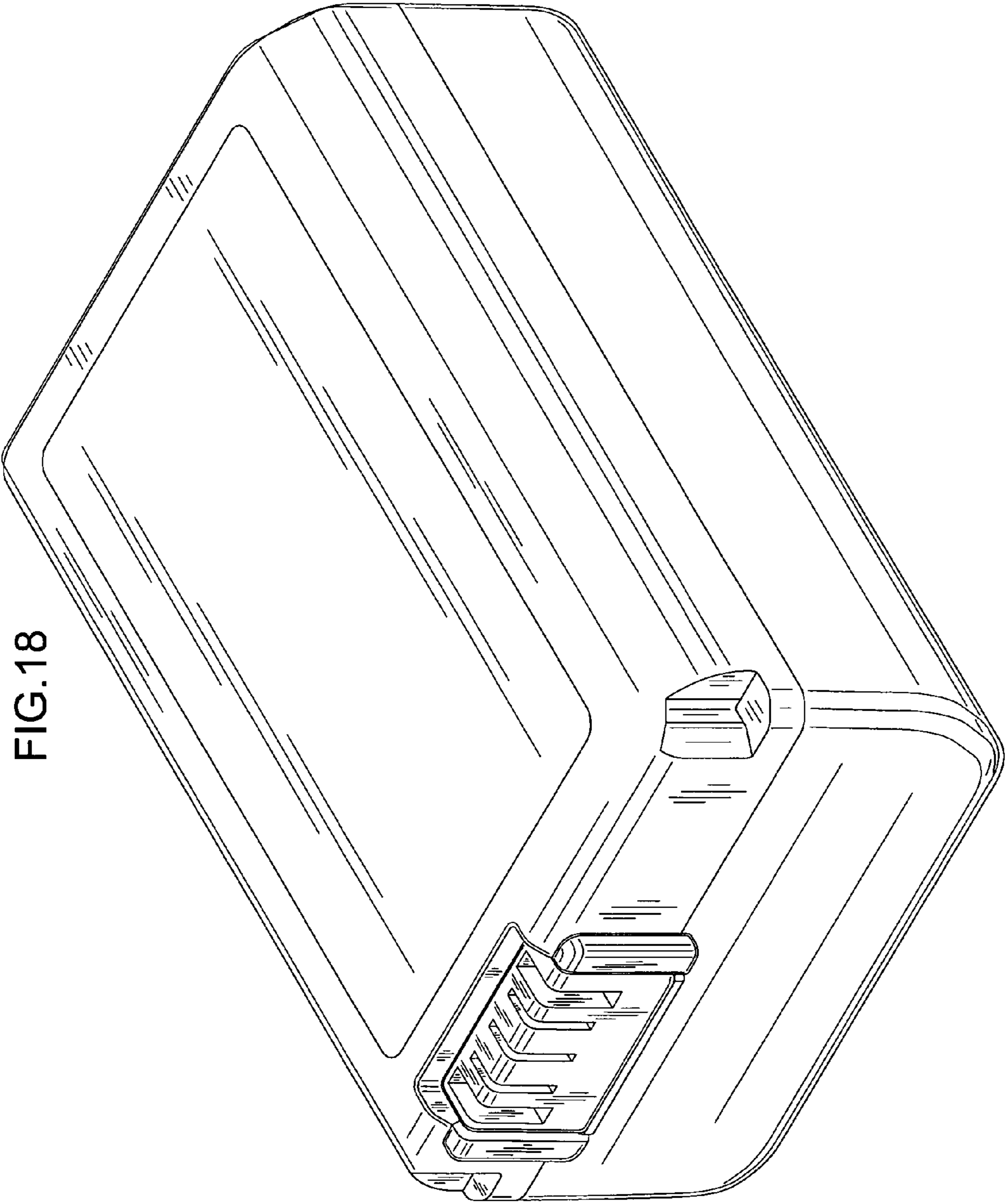


FIG.18

FIG.19

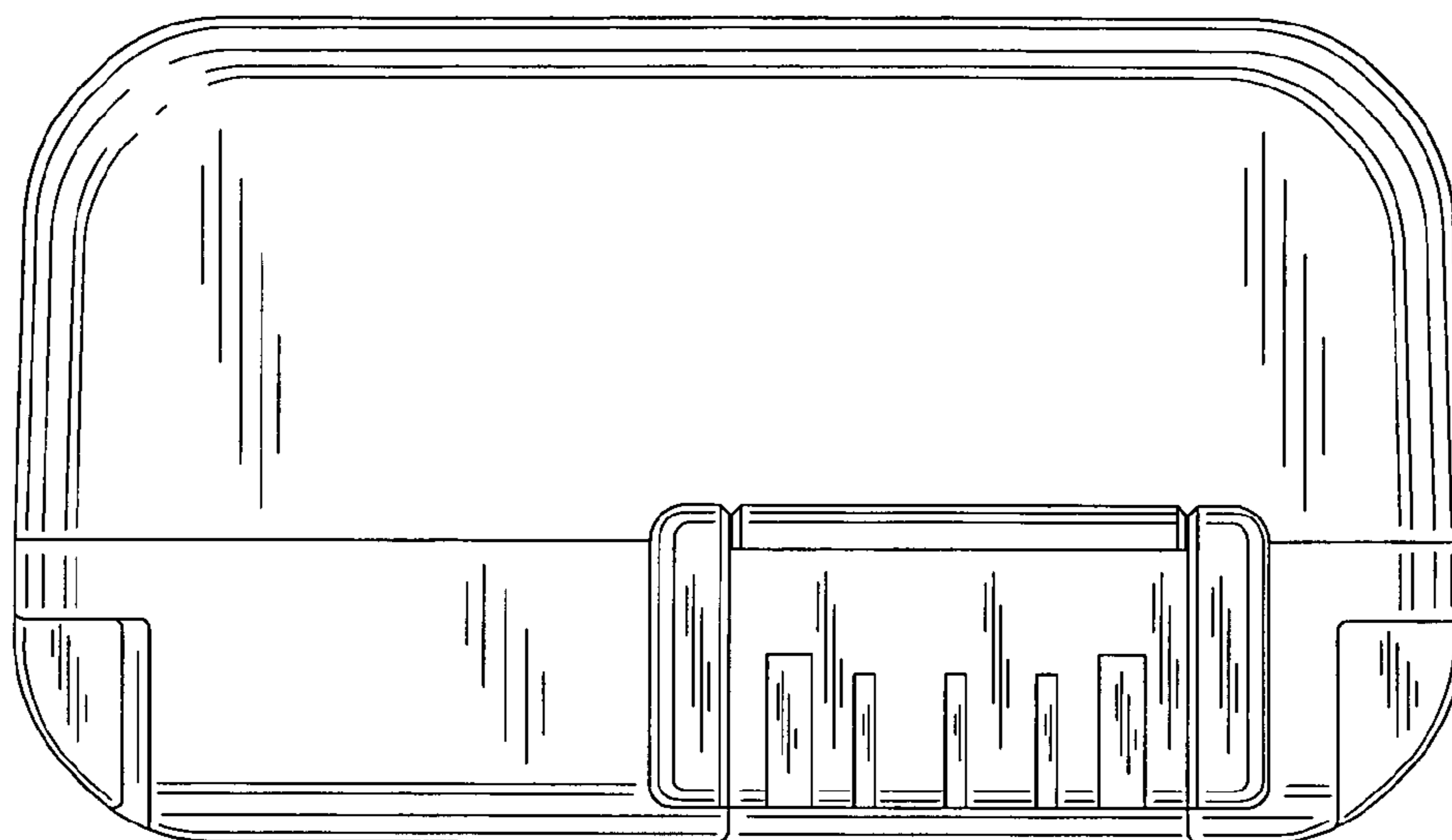
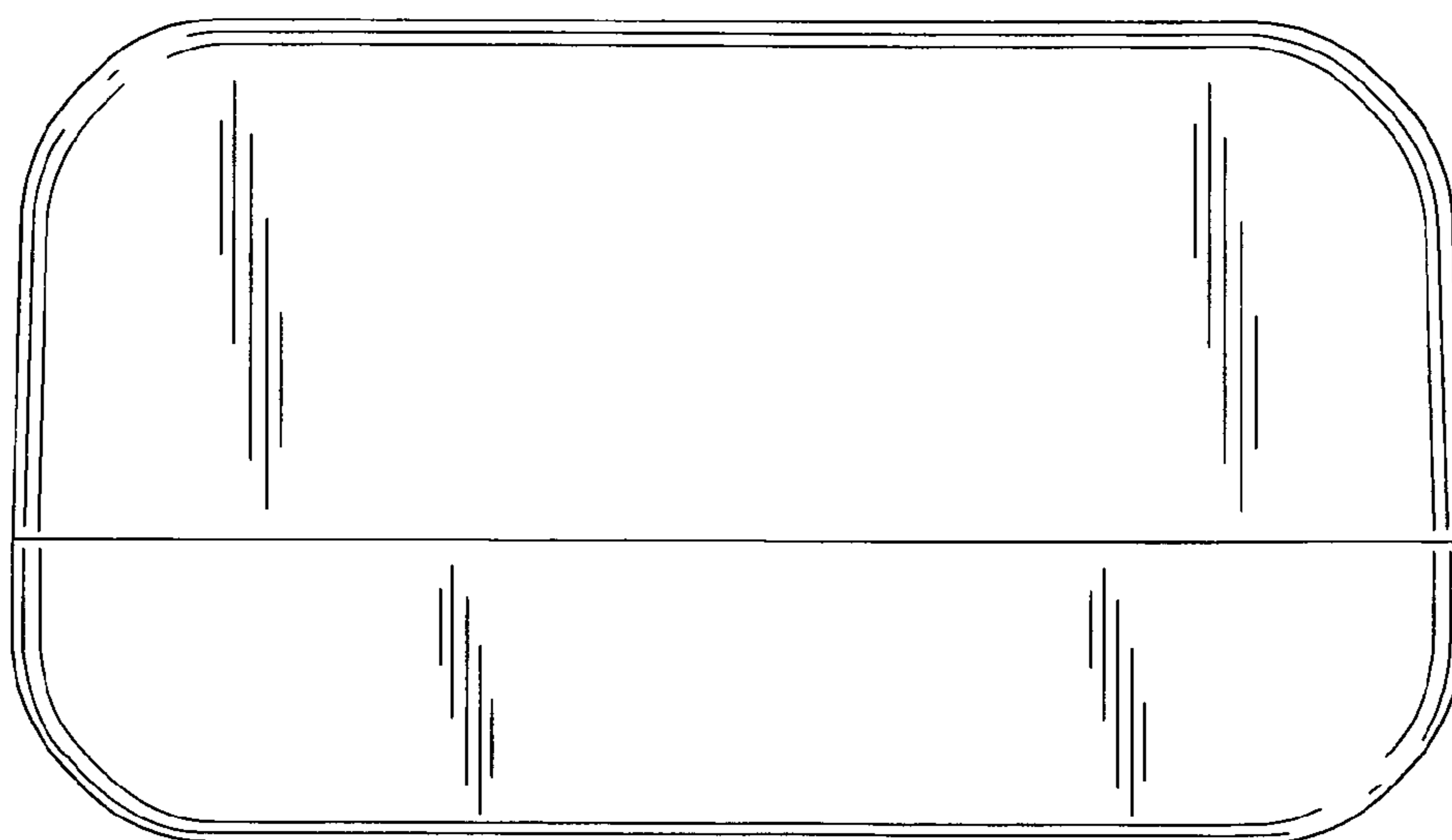


FIG.20



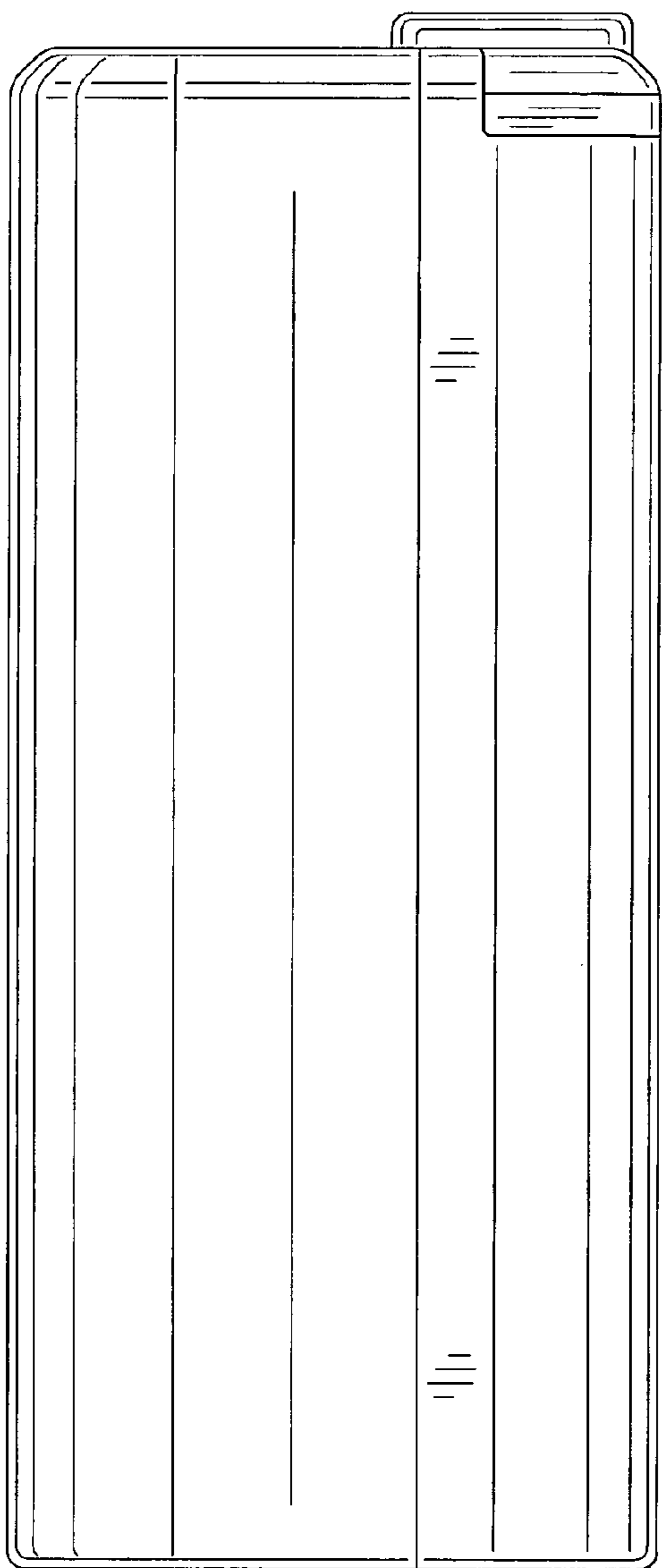


FIG. 21

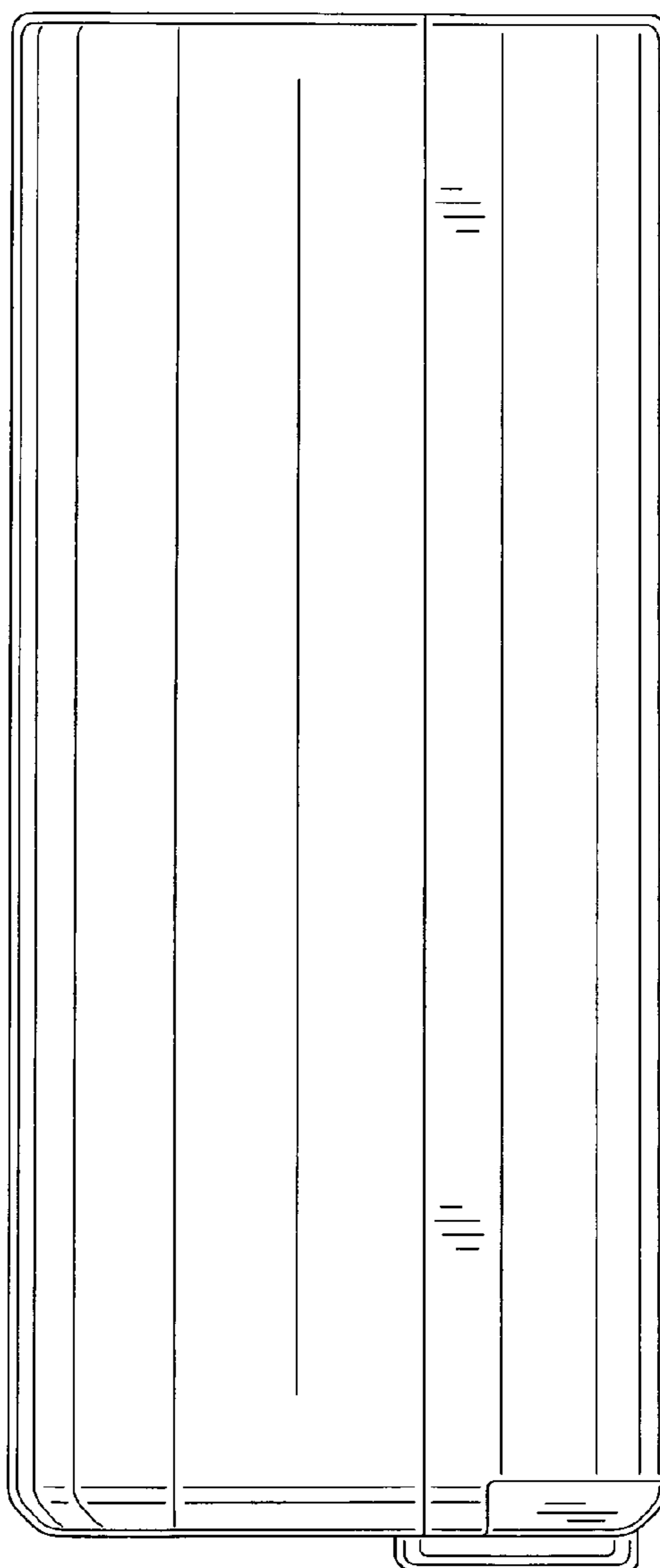


FIG. 22

FIG.23

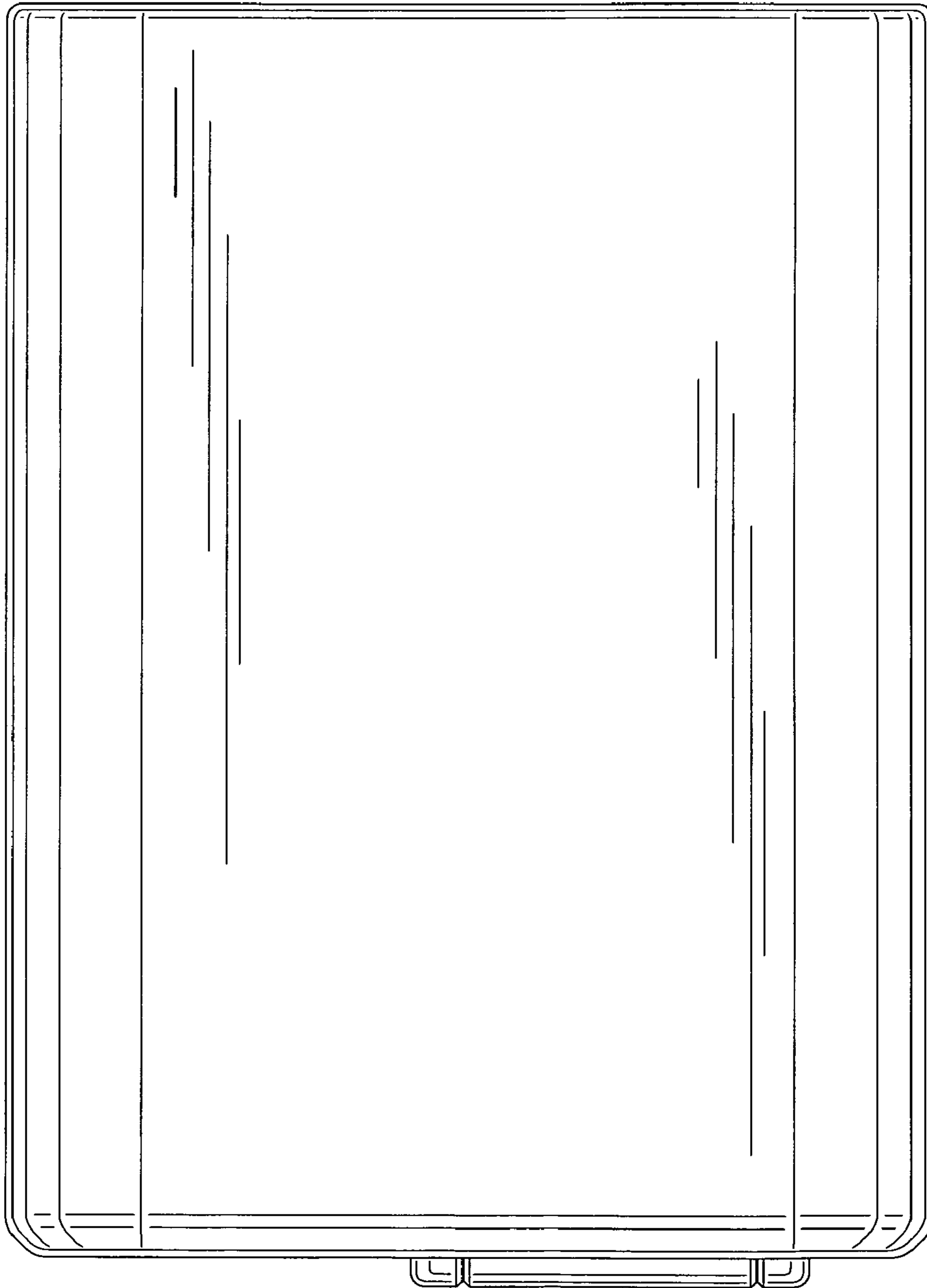
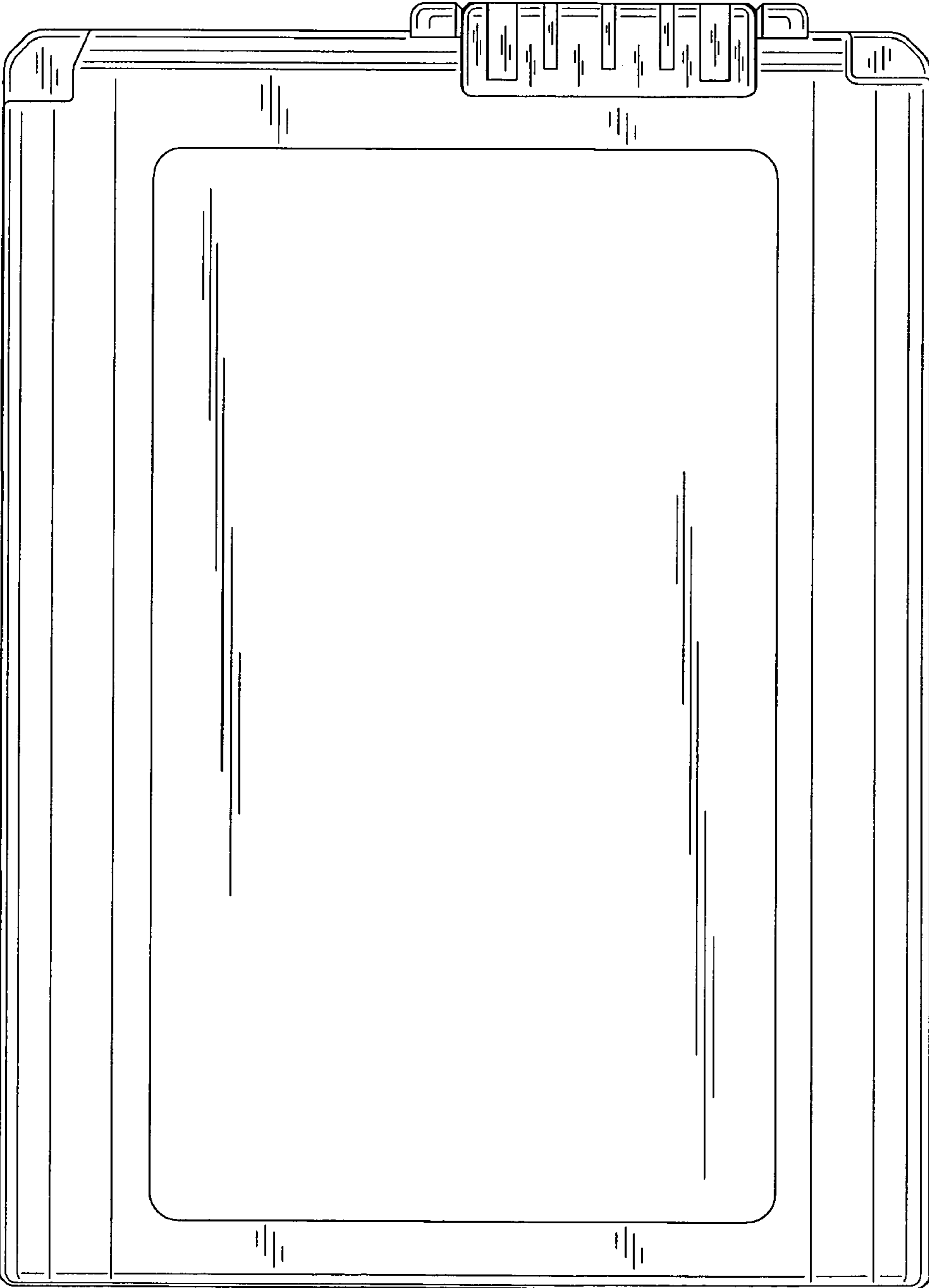


FIG.24



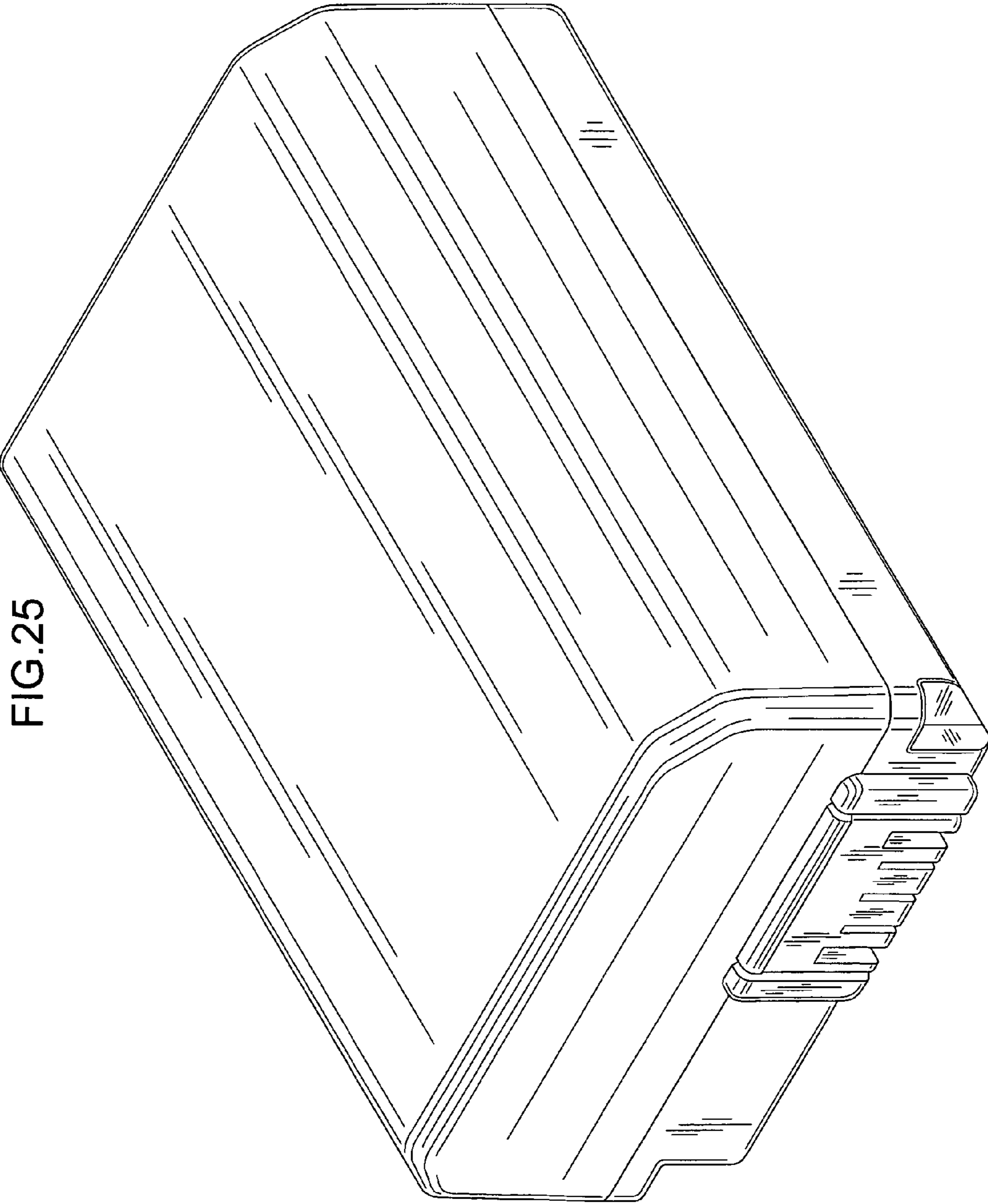


FIG.25

FIG.26

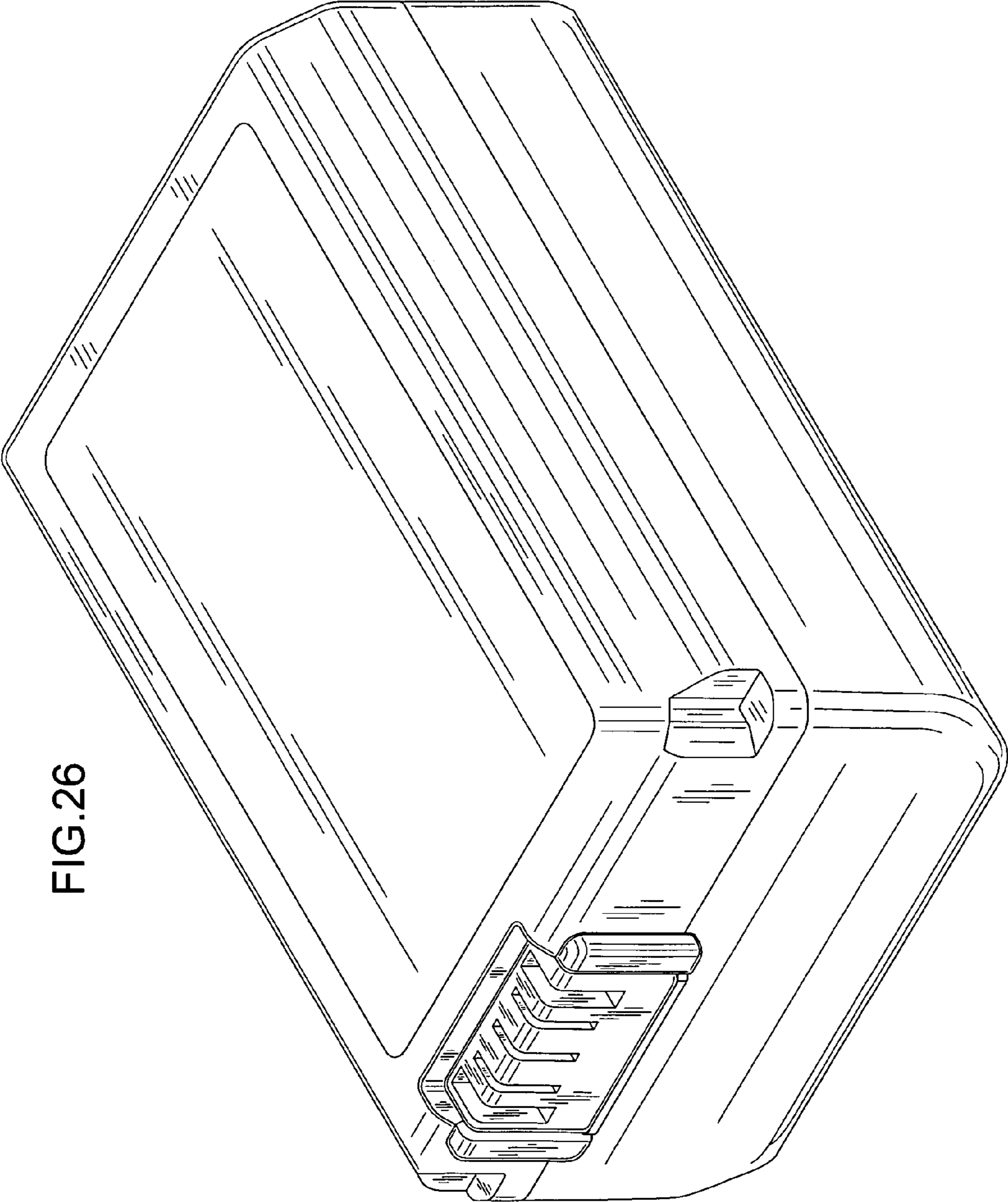


FIG.27

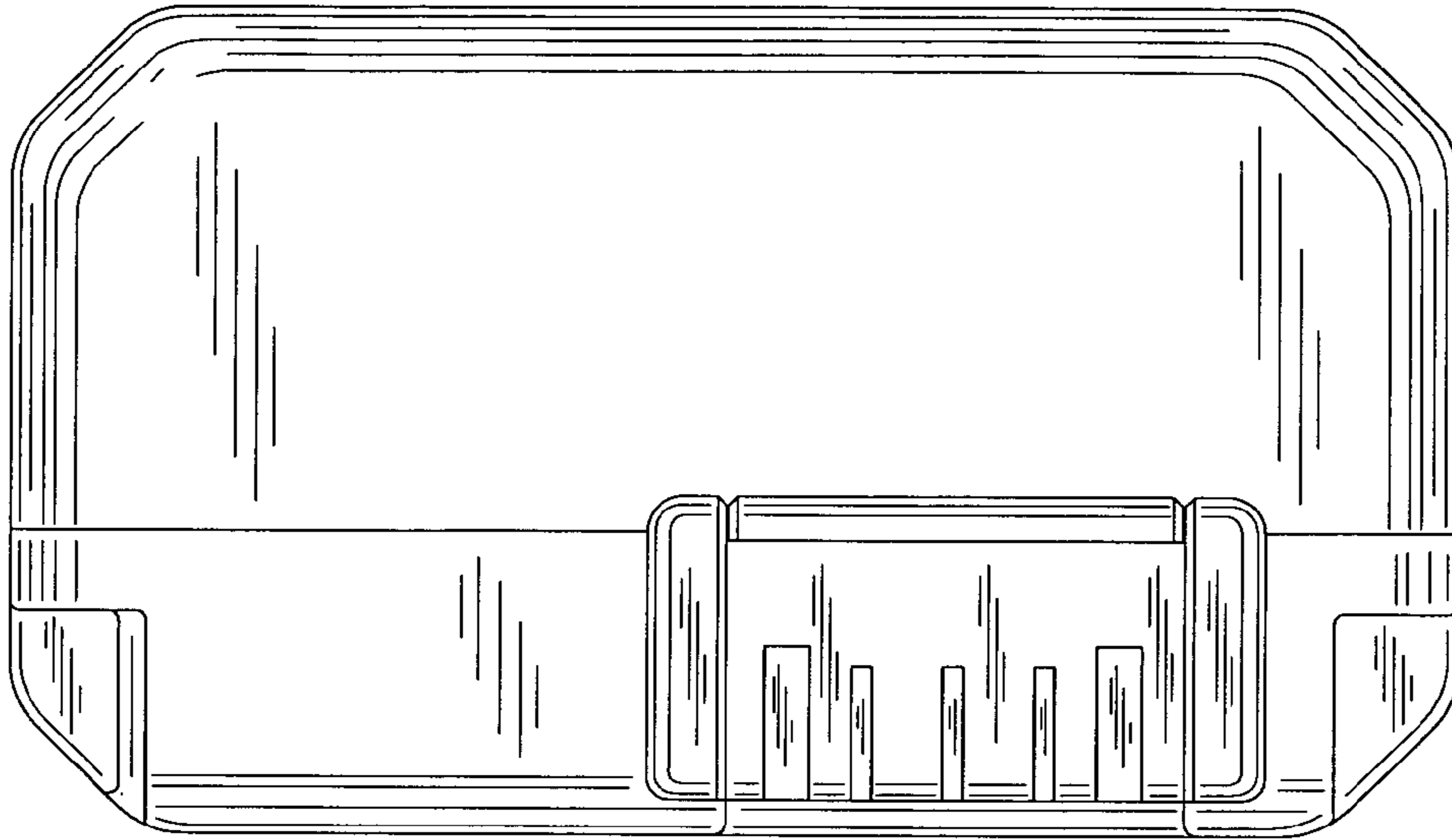
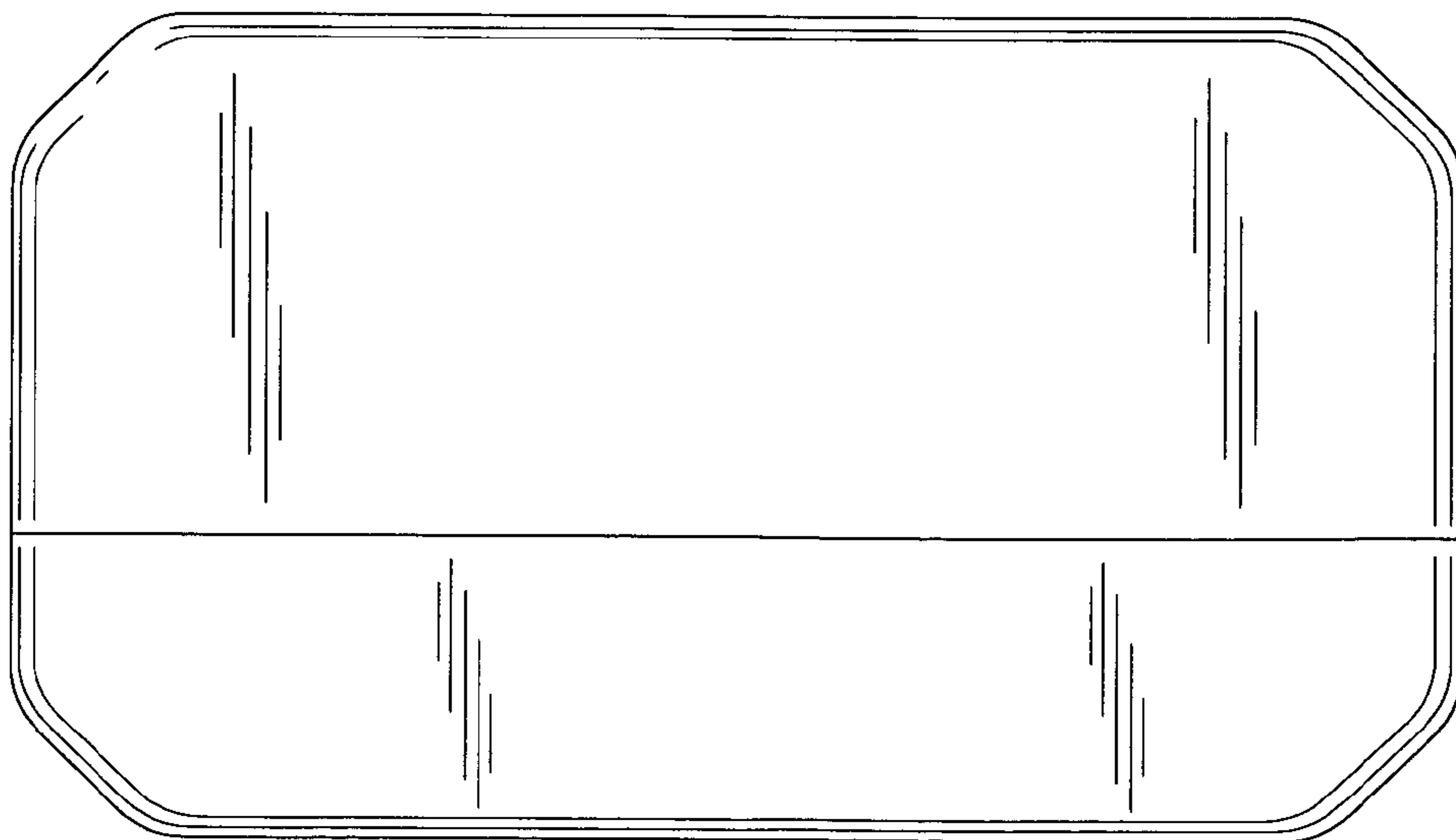


FIG.28



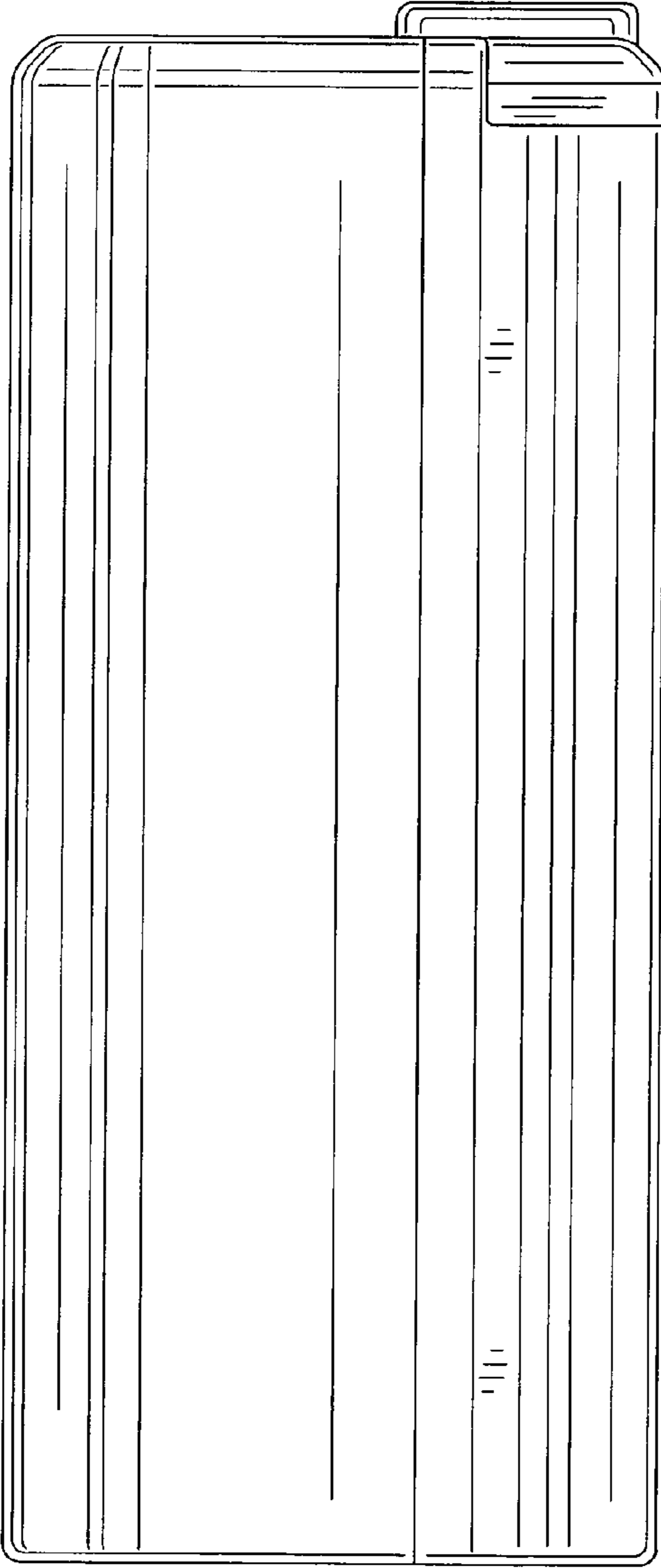


FIG. 29

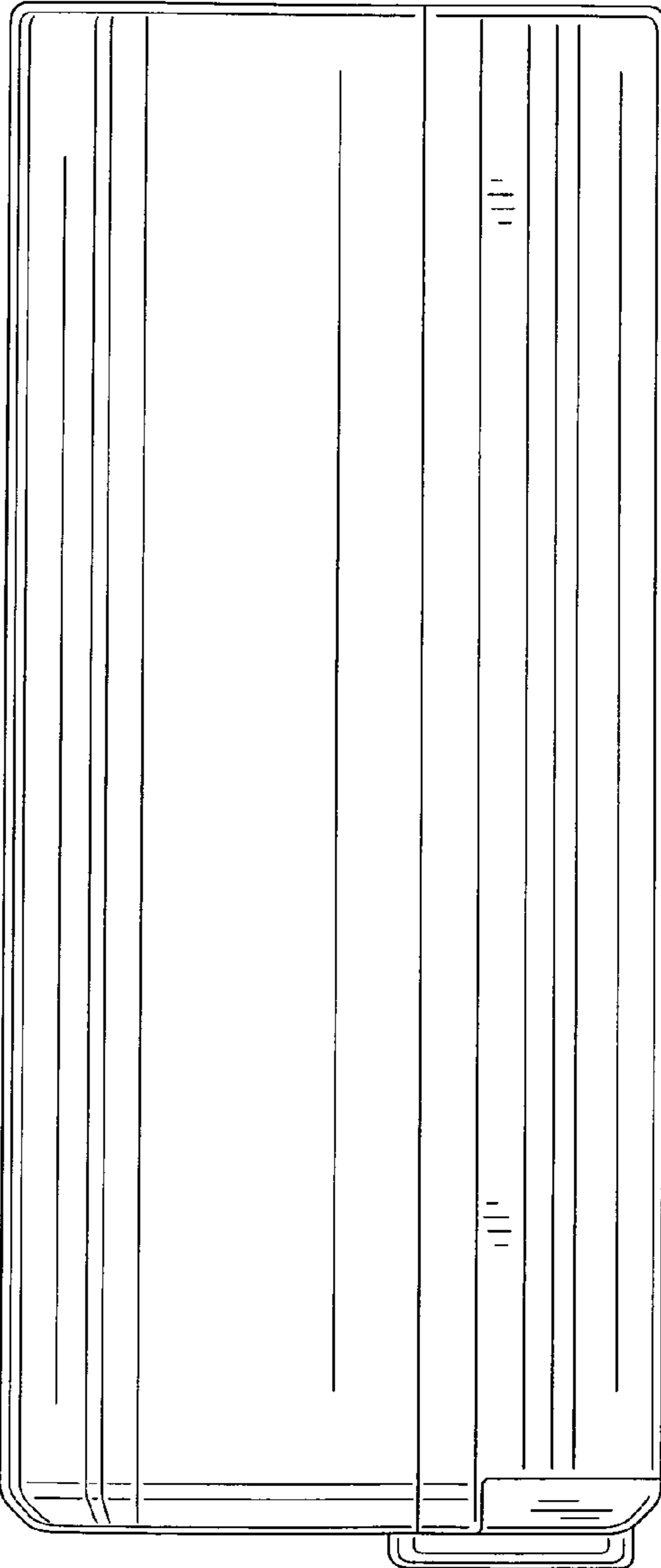


FIG. 30

FIG.31

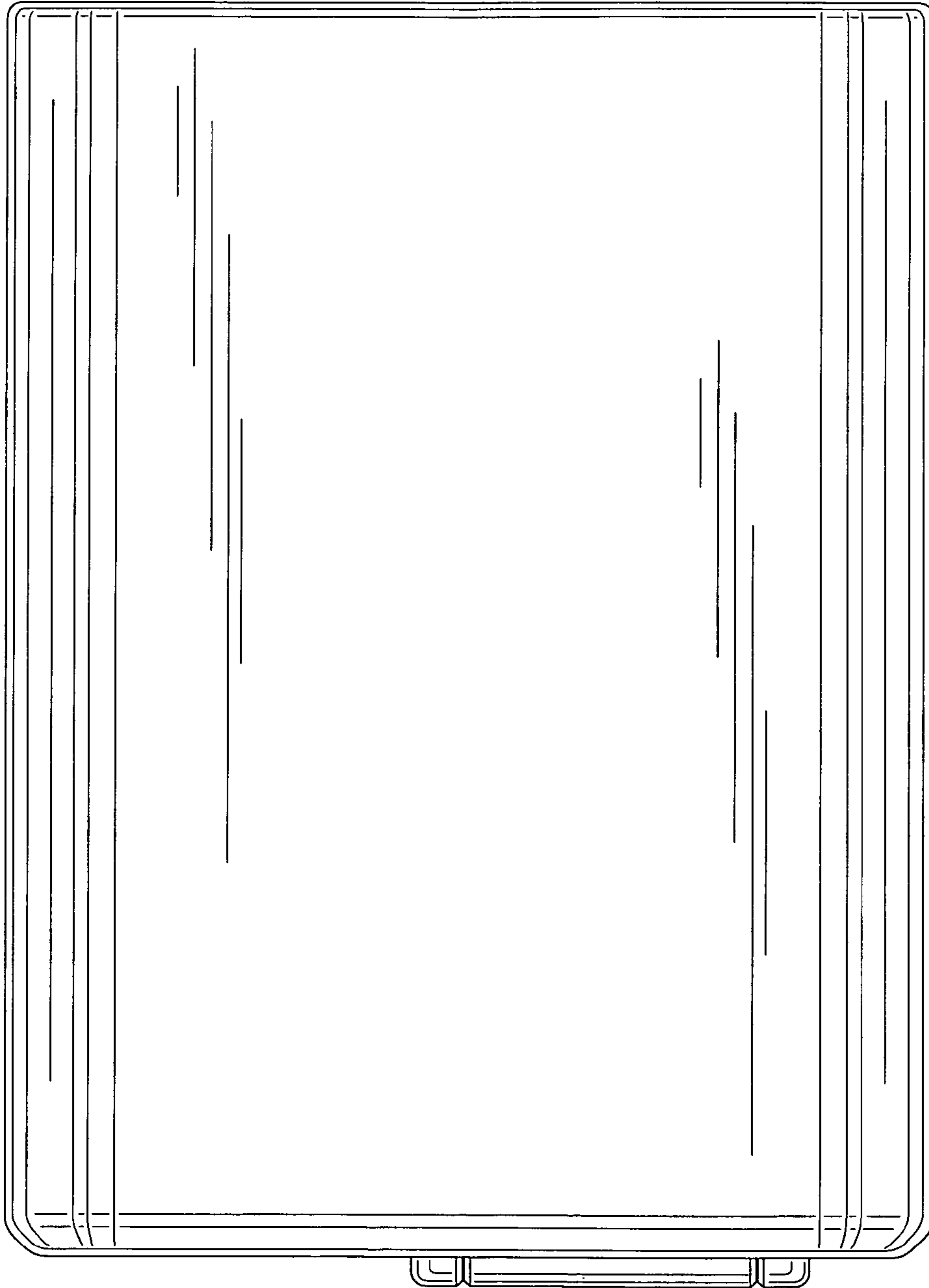
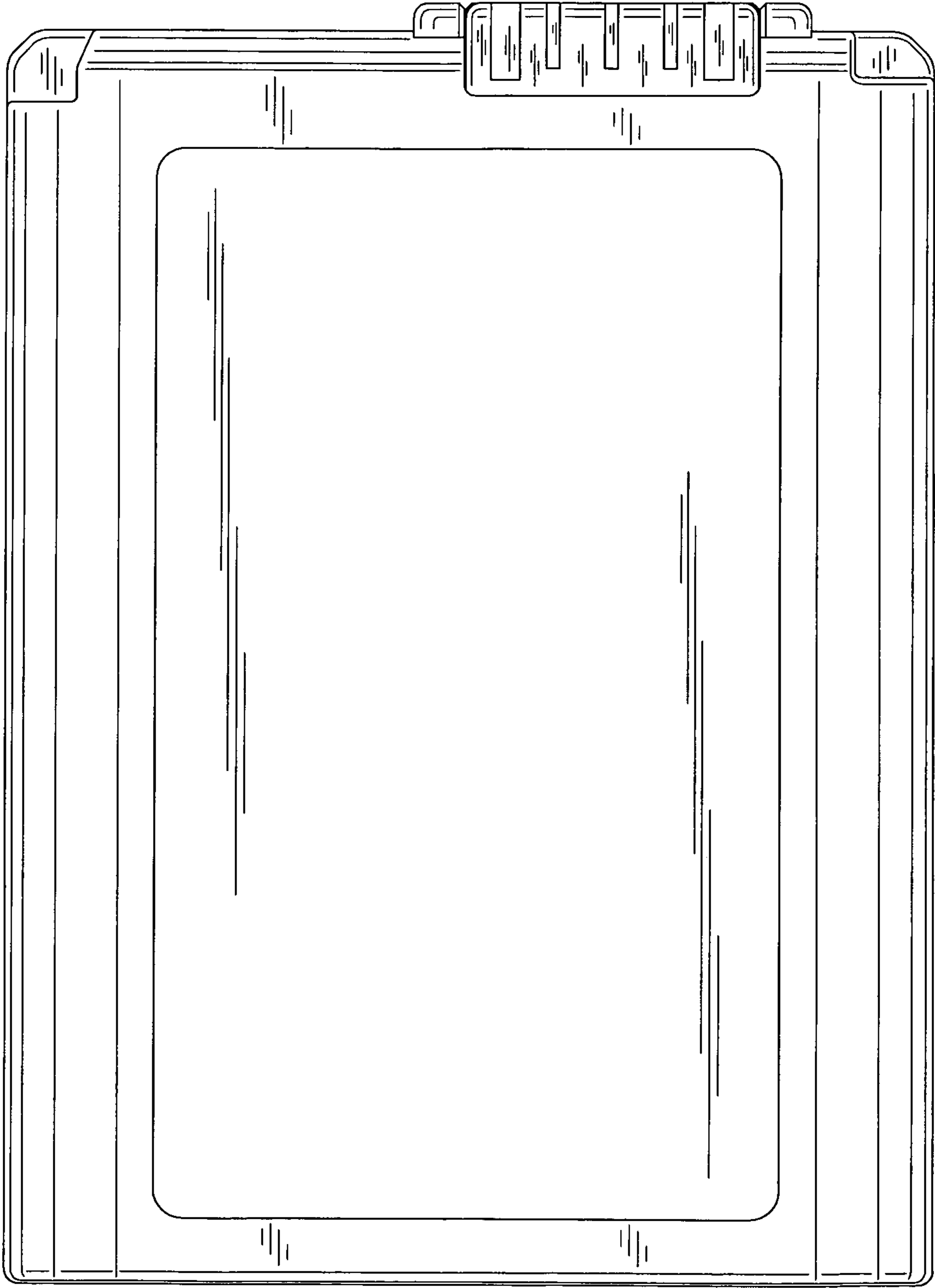


FIG.32



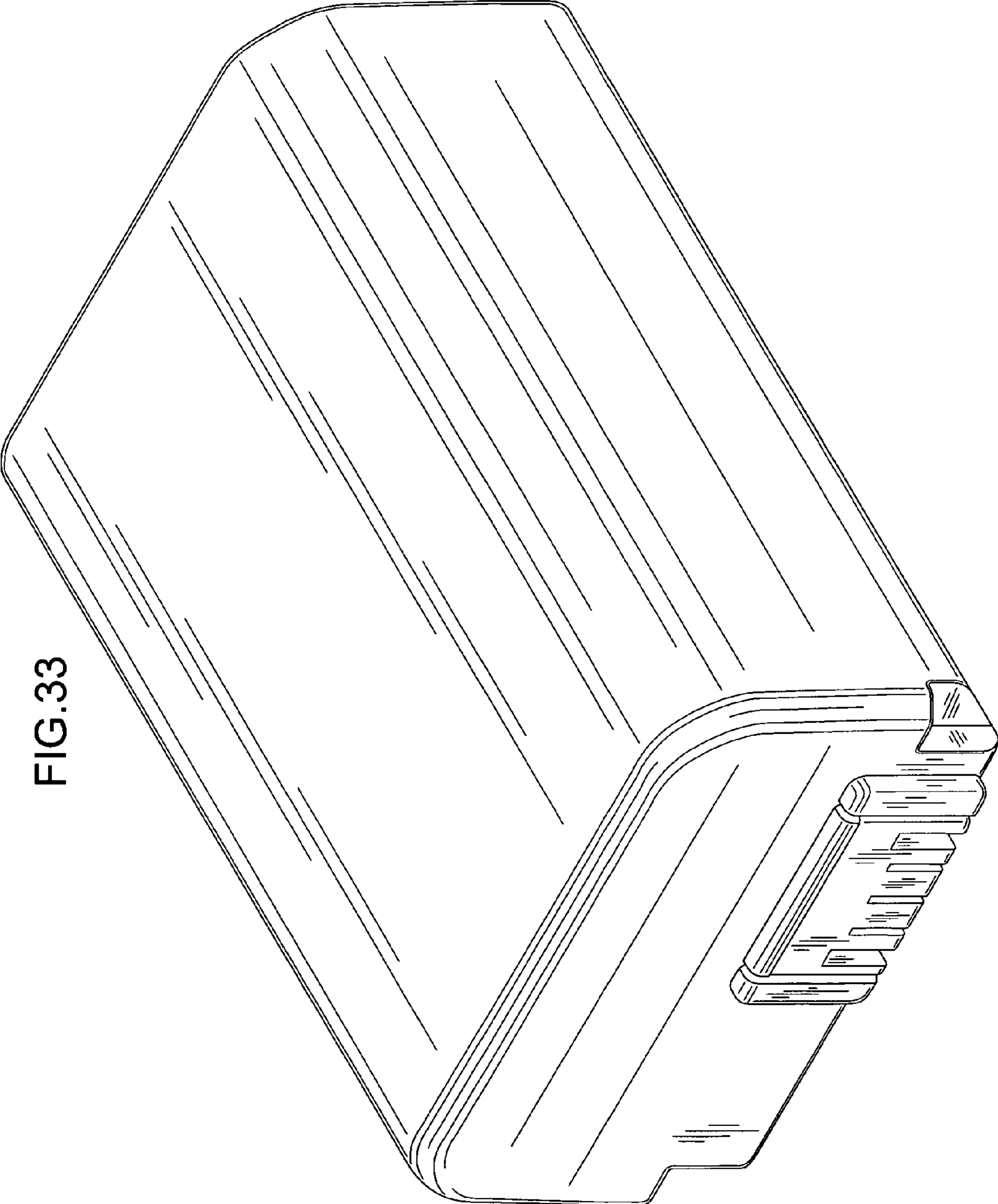


FIG.33

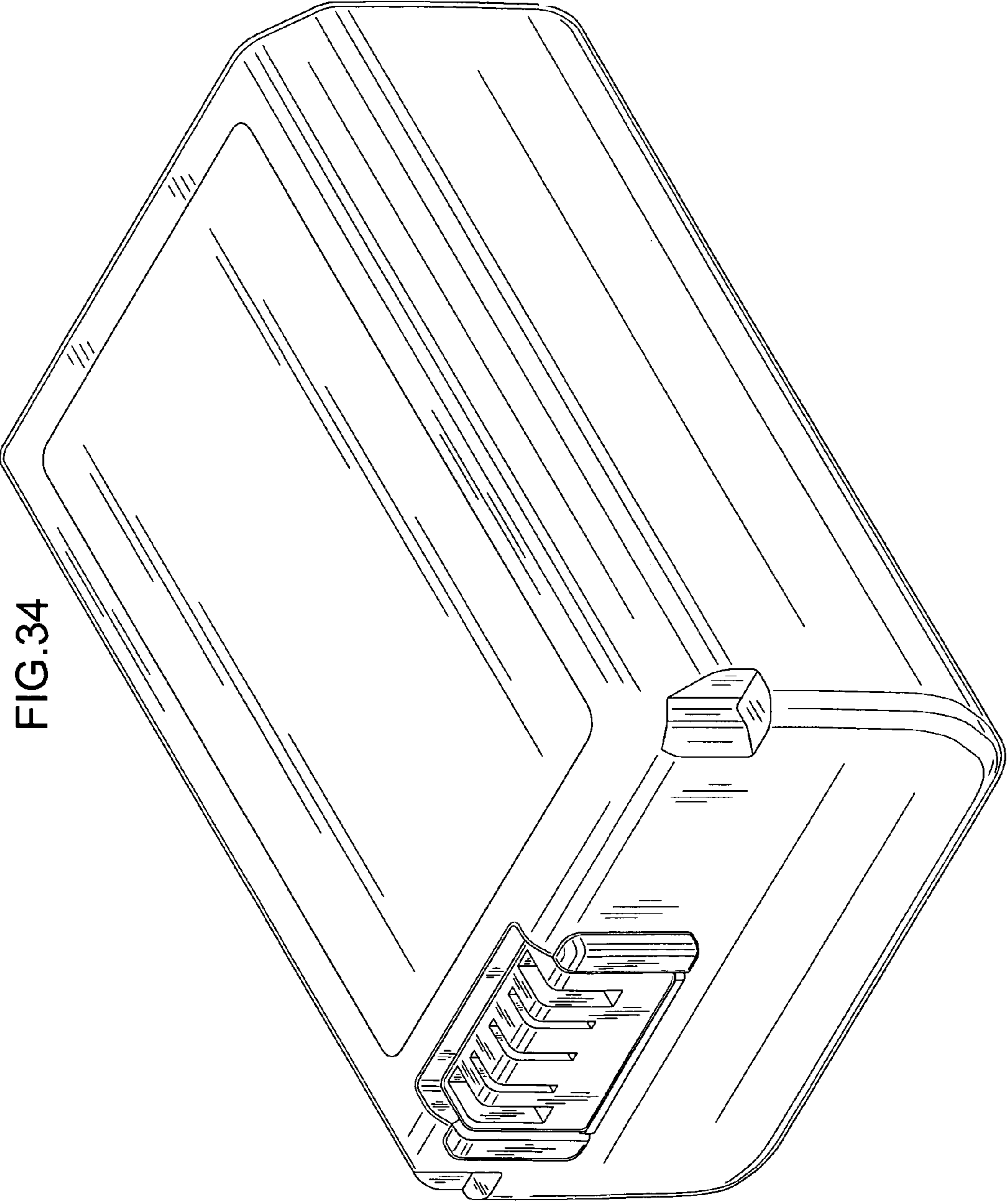


FIG.34

FIG.35

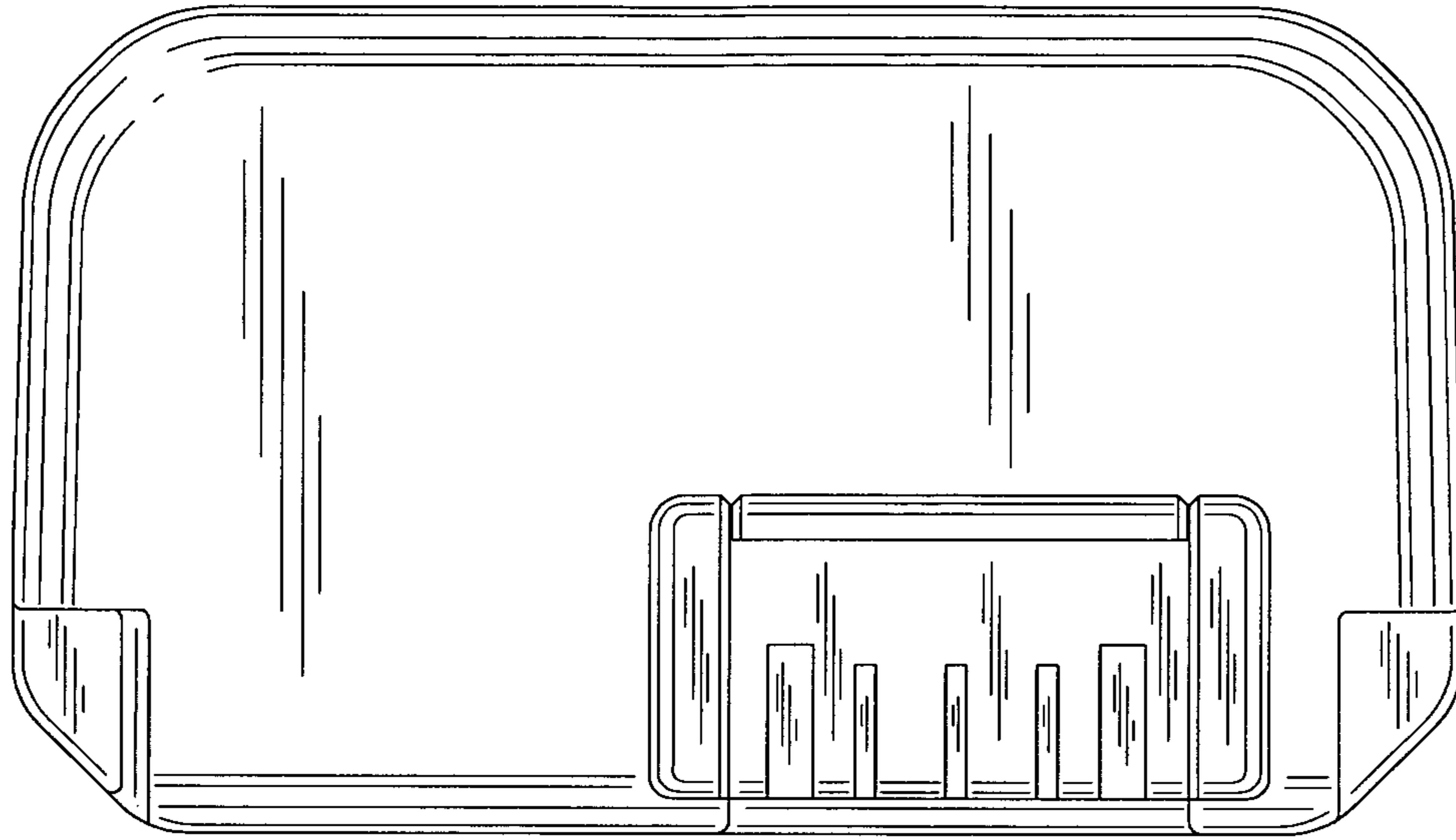
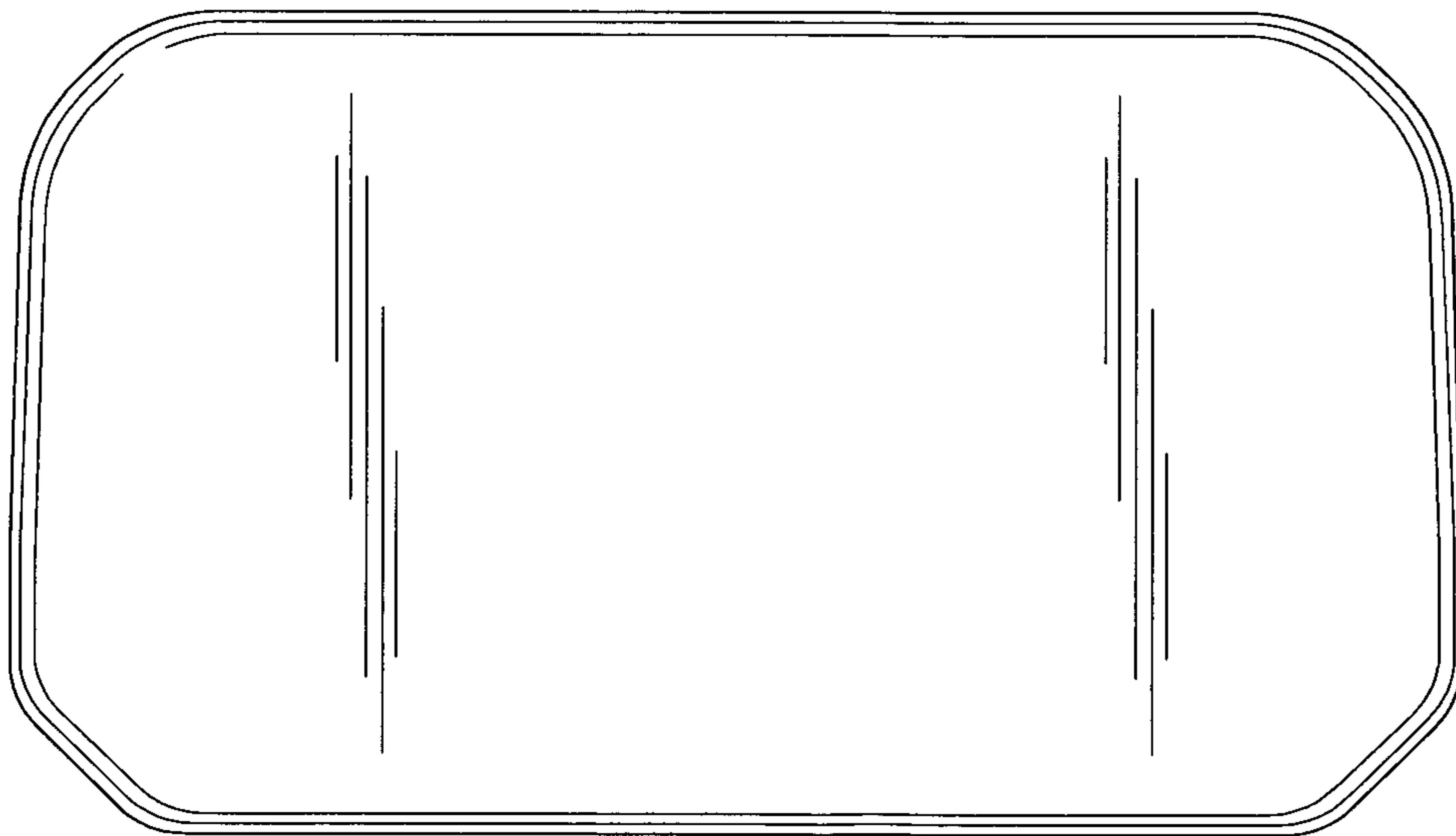


FIG.36



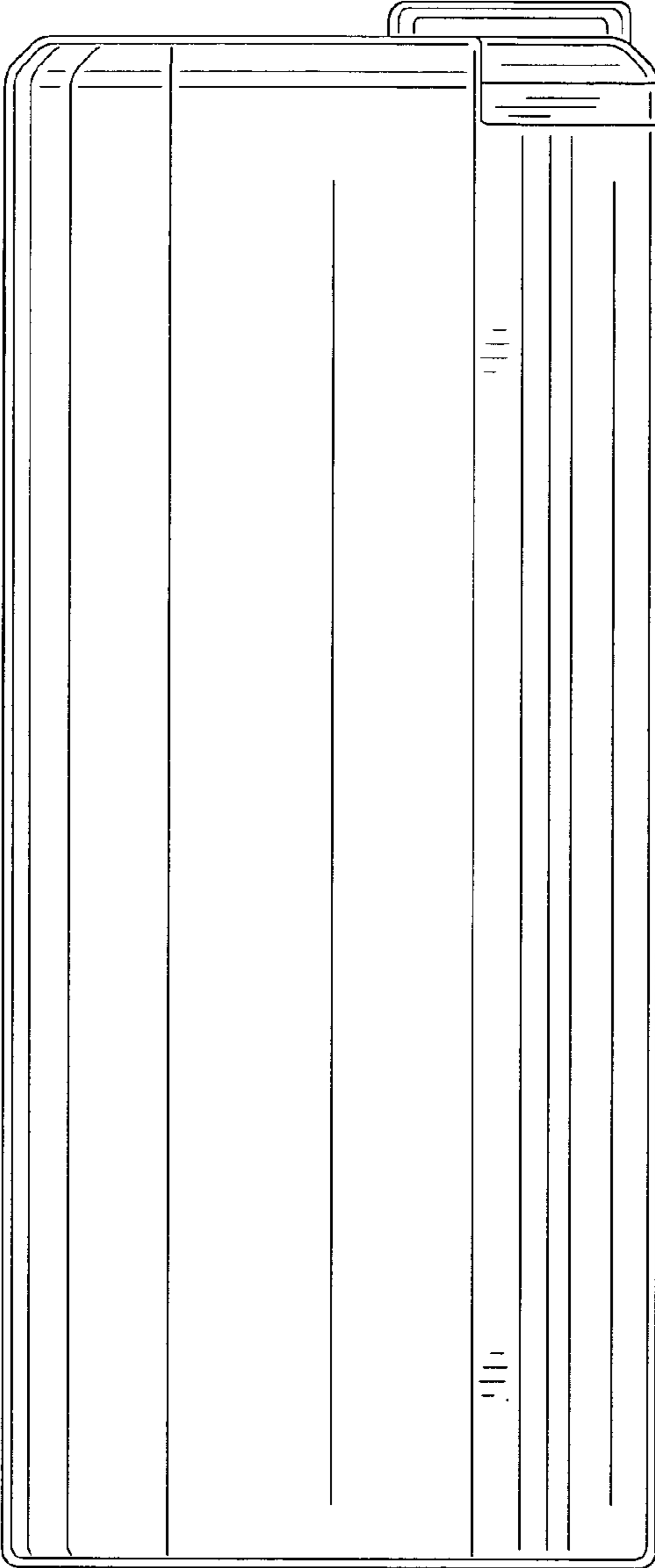


FIG.37

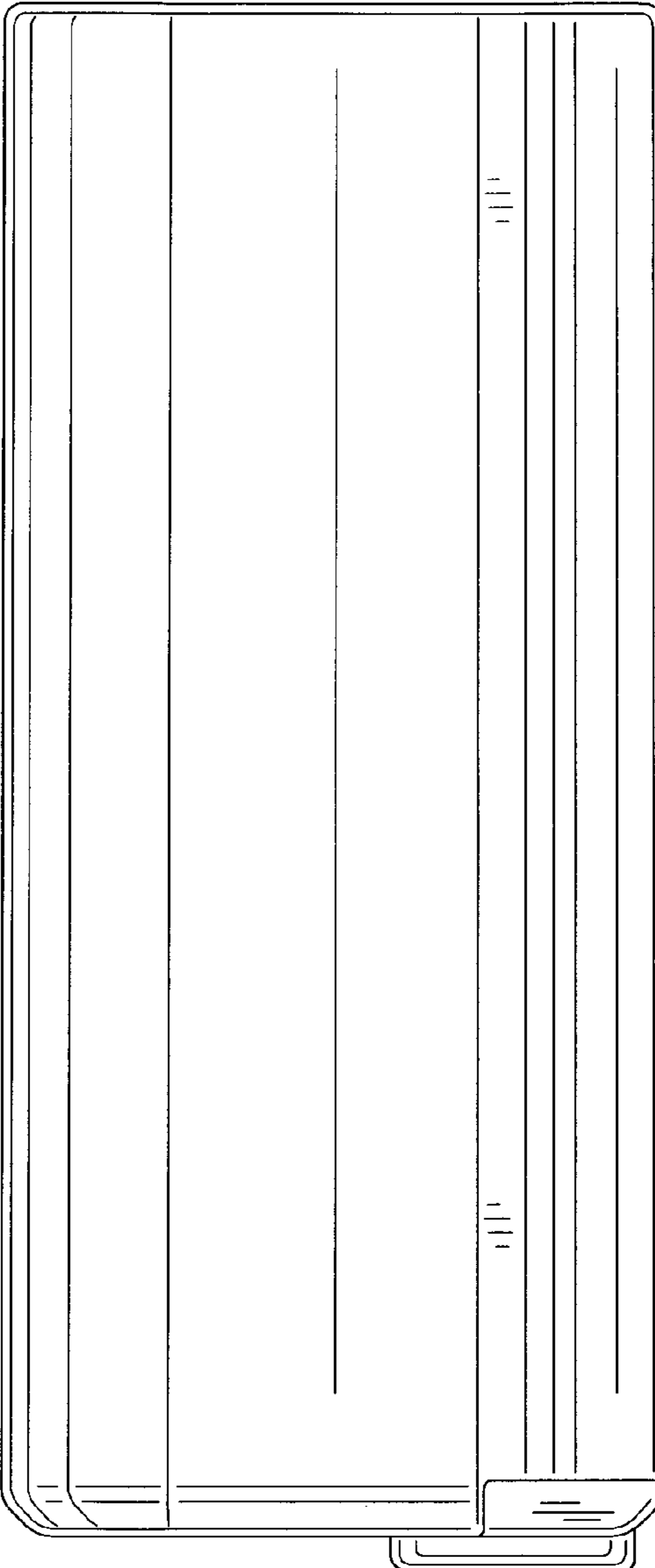


FIG.38

FIG.39

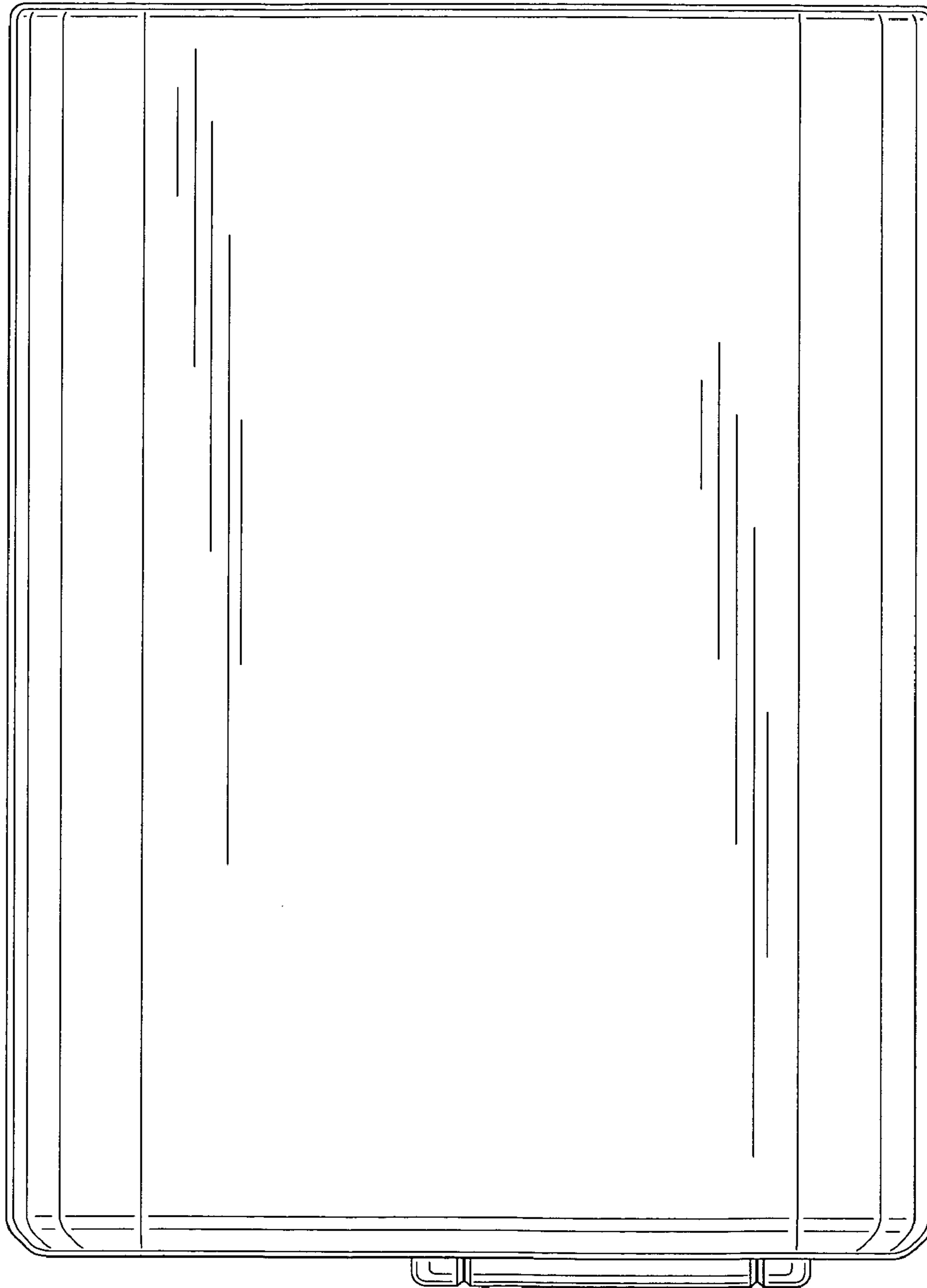
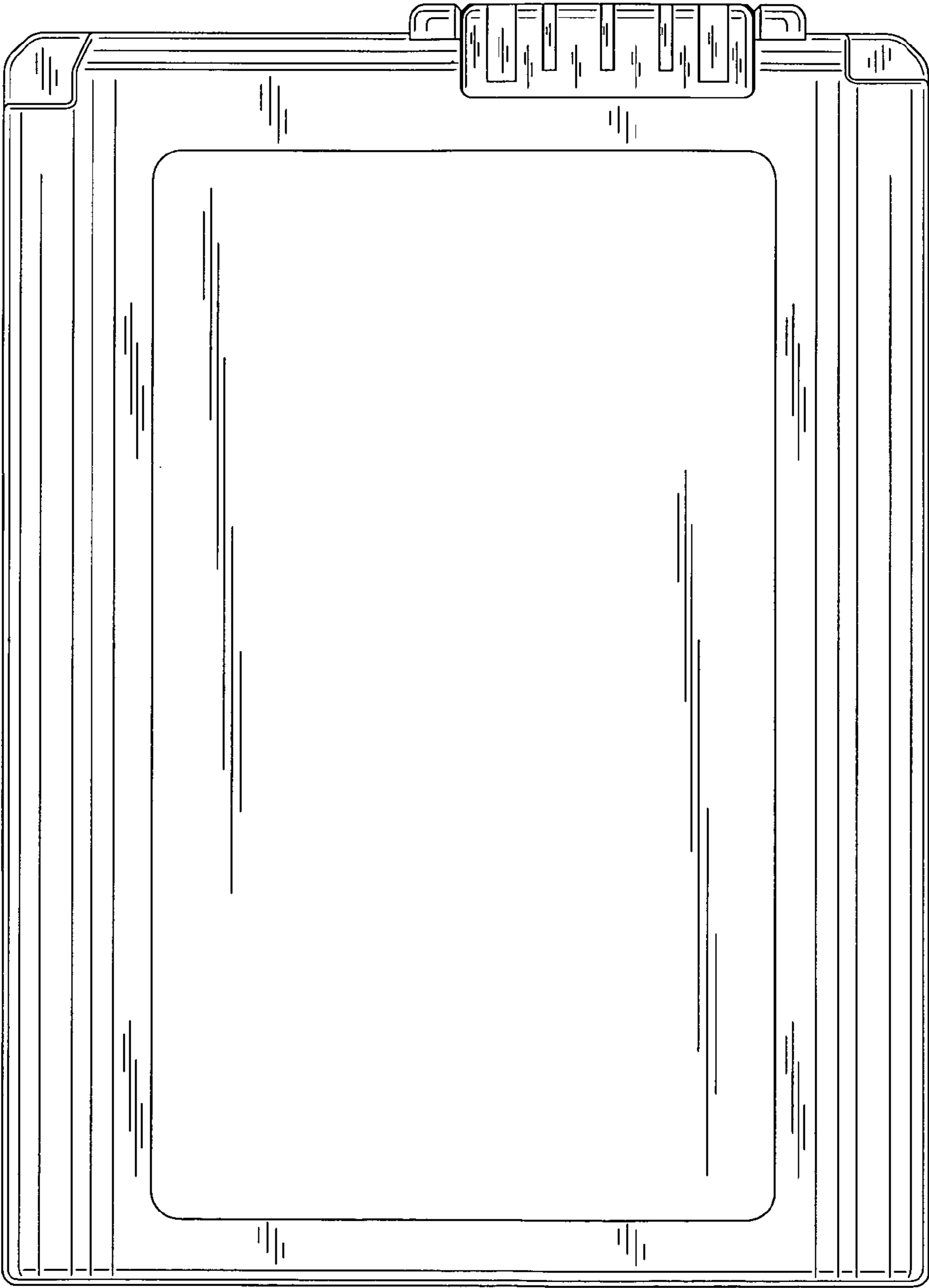


FIG.40



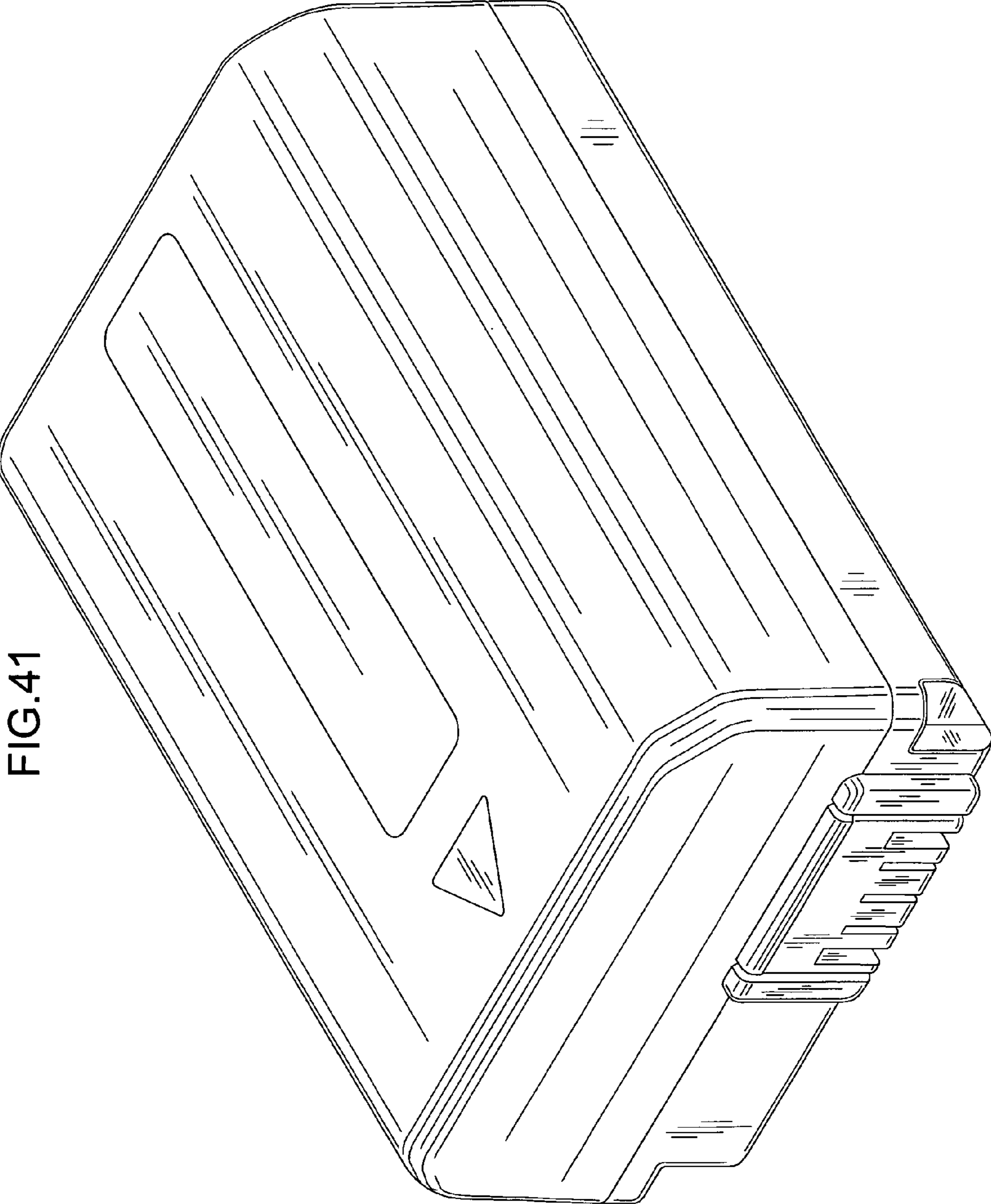


FIG. 41

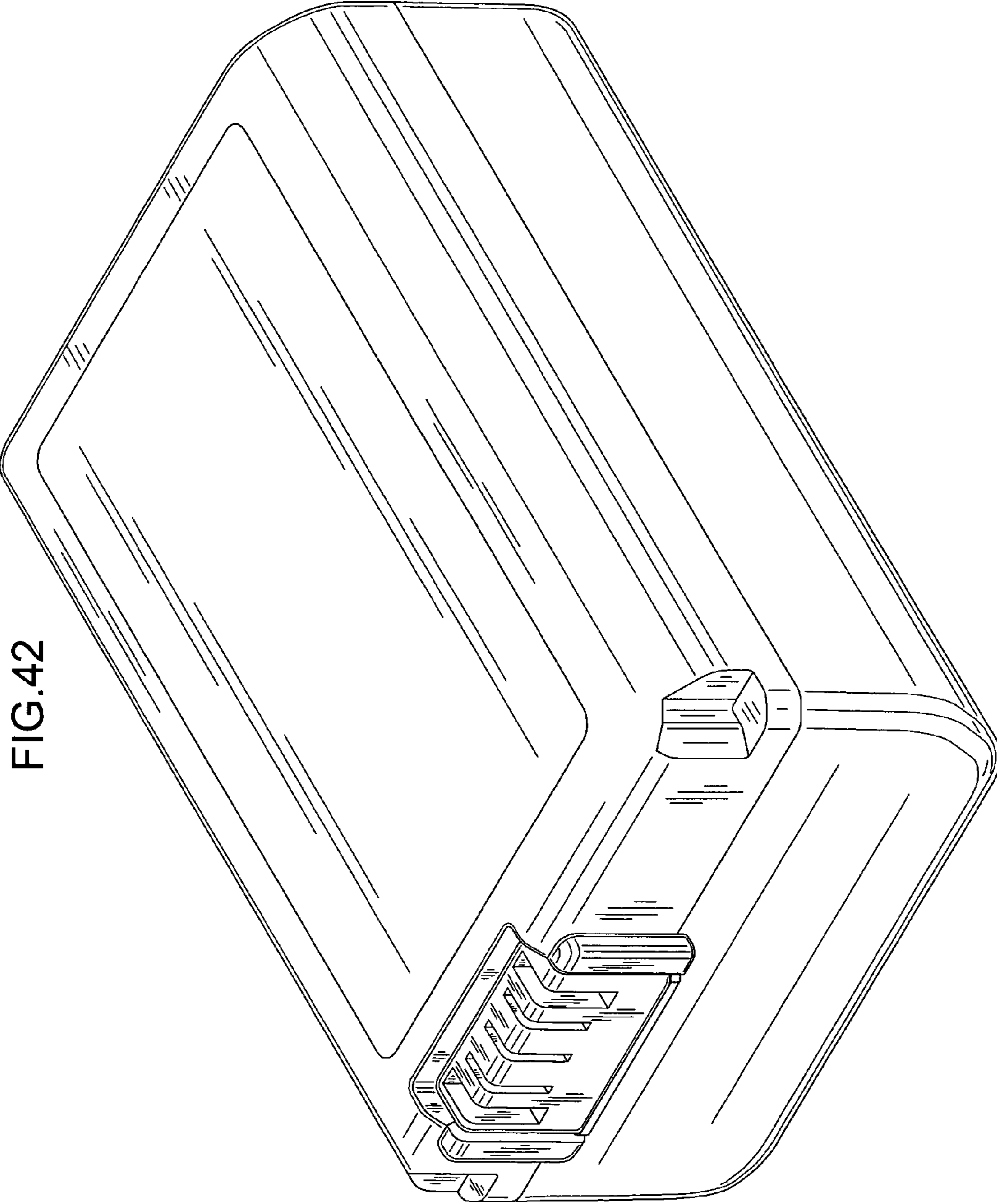


FIG. 42

FIG.43

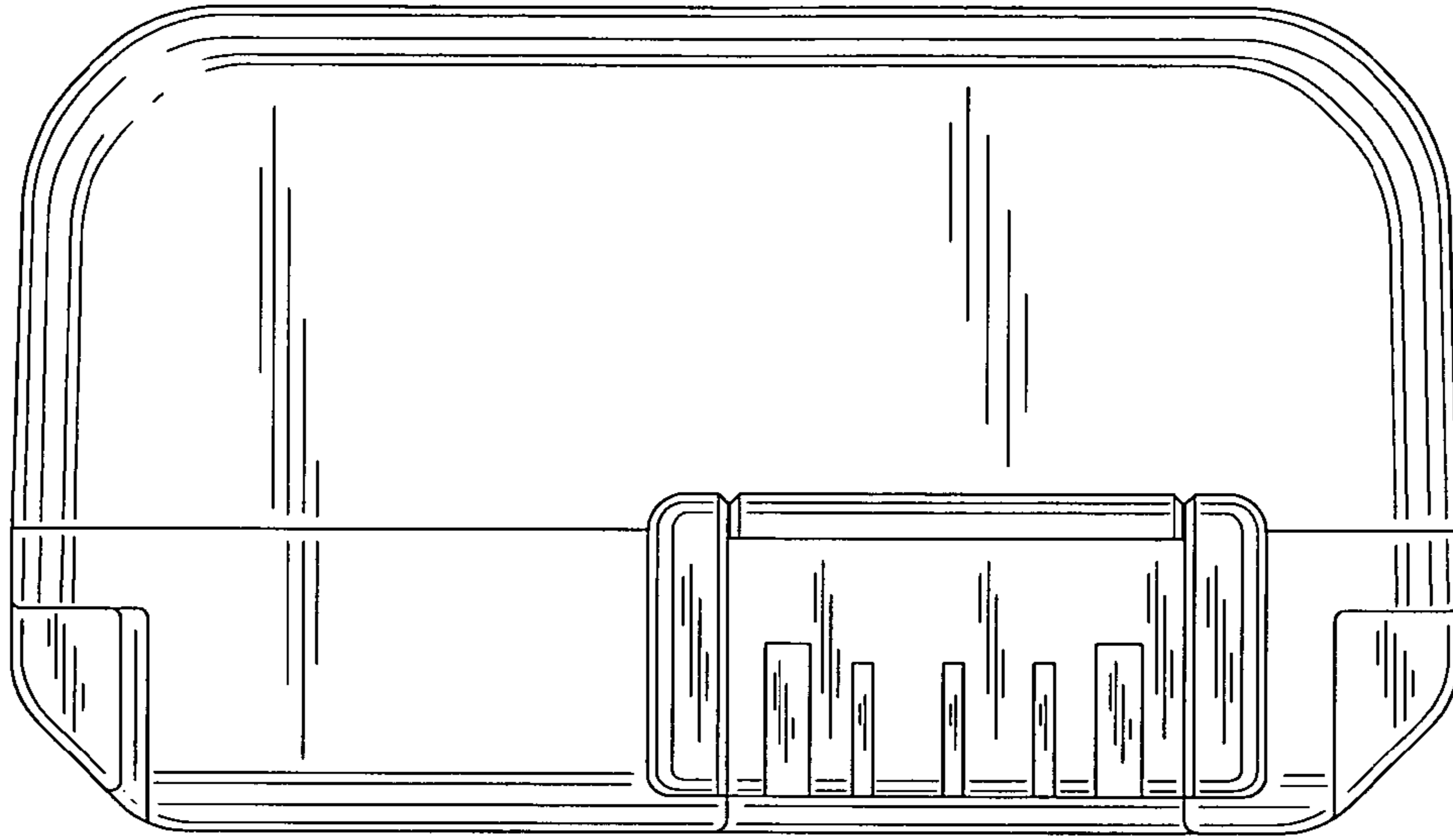
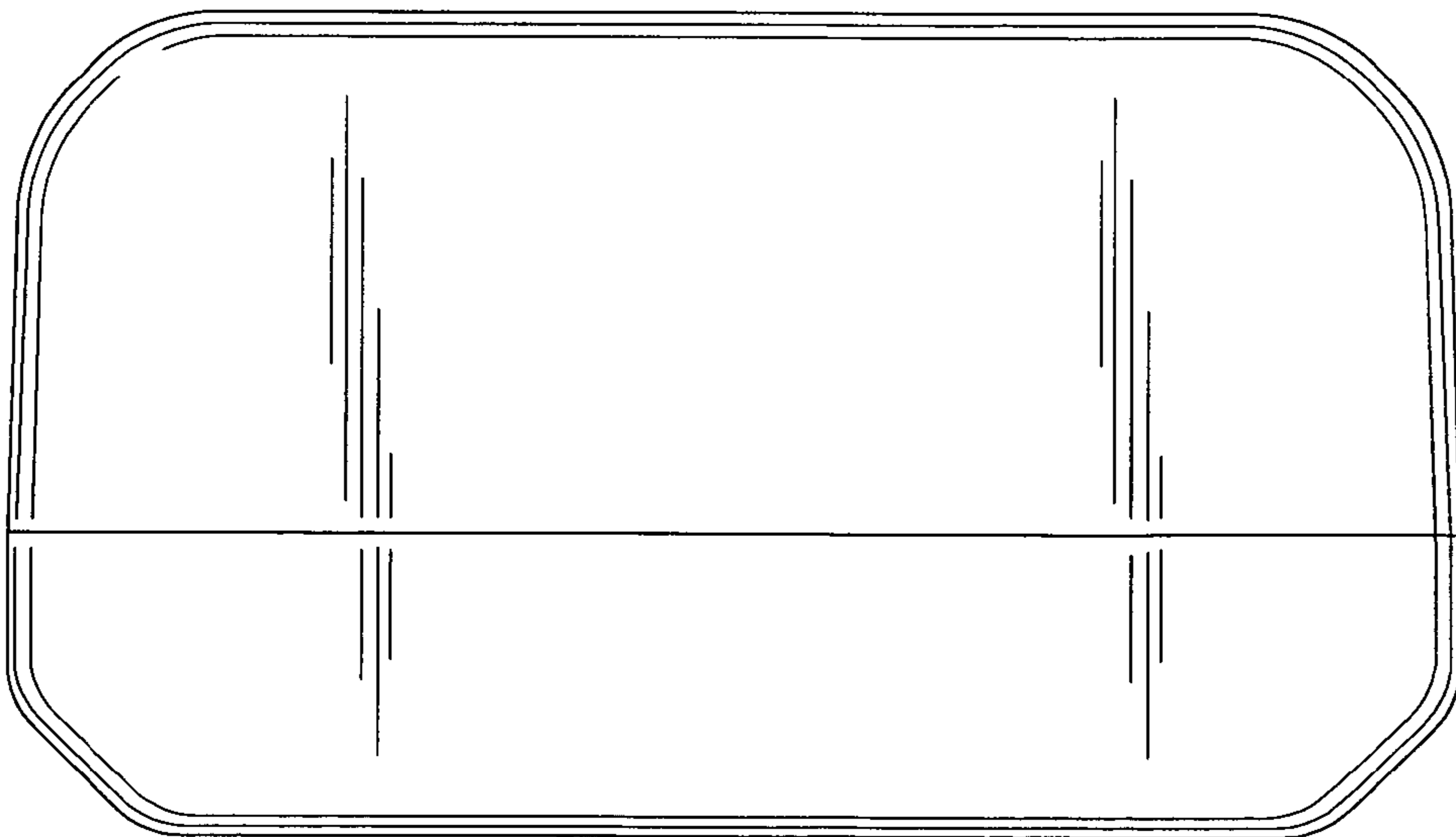


FIG.44



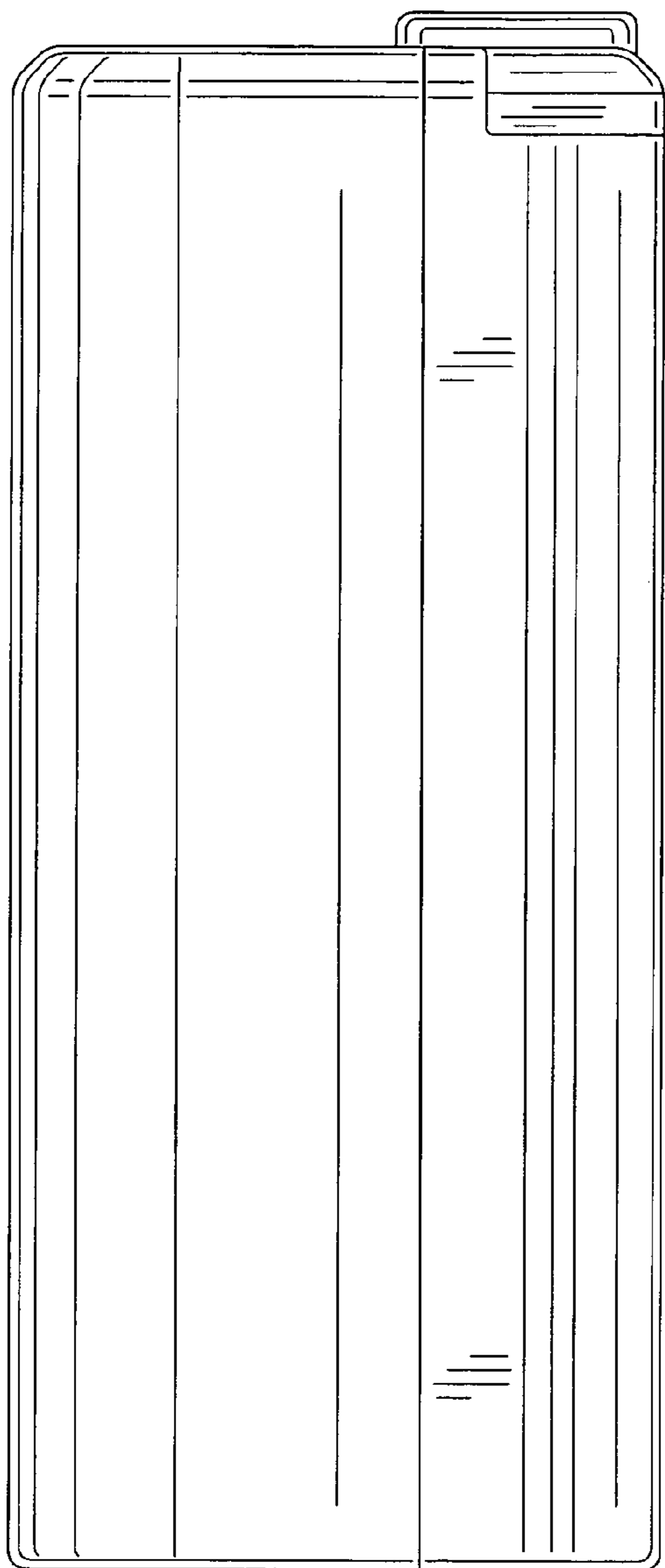


FIG. 45

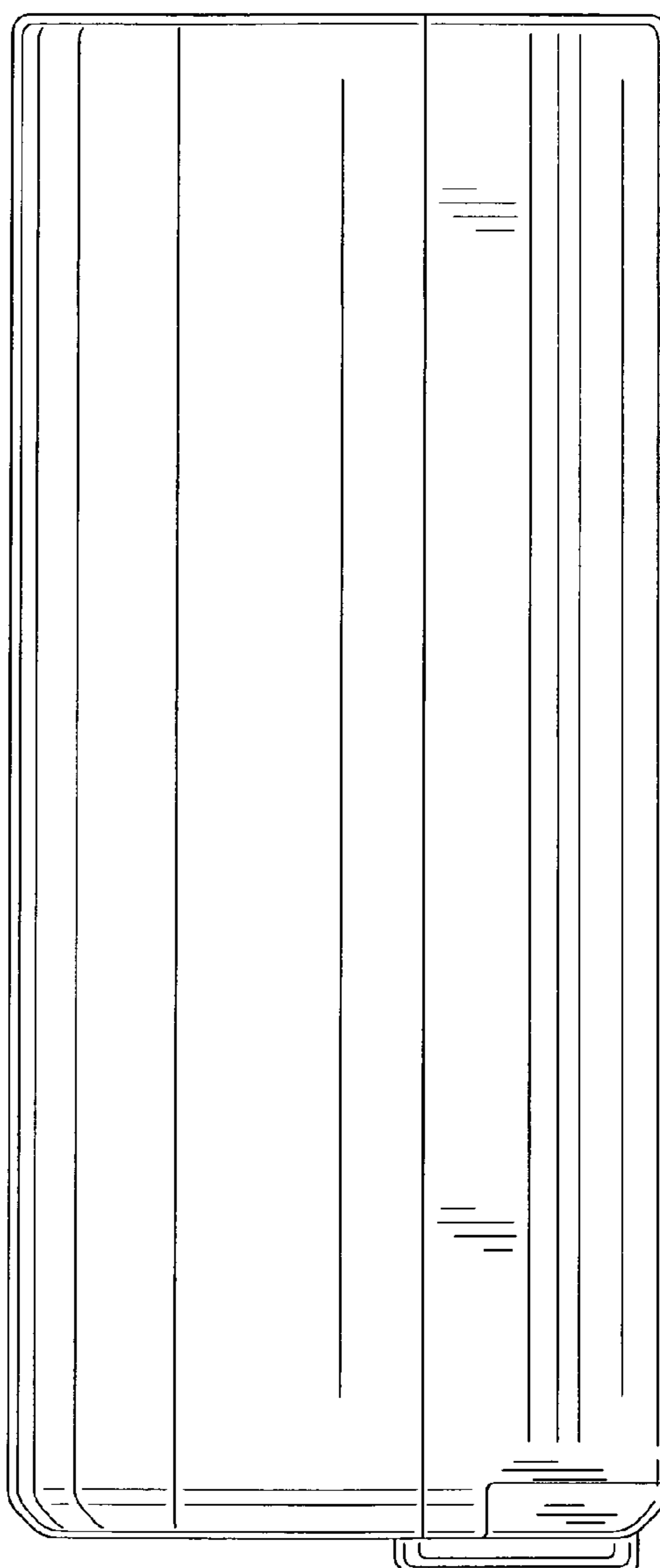


FIG. 46

FIG.47

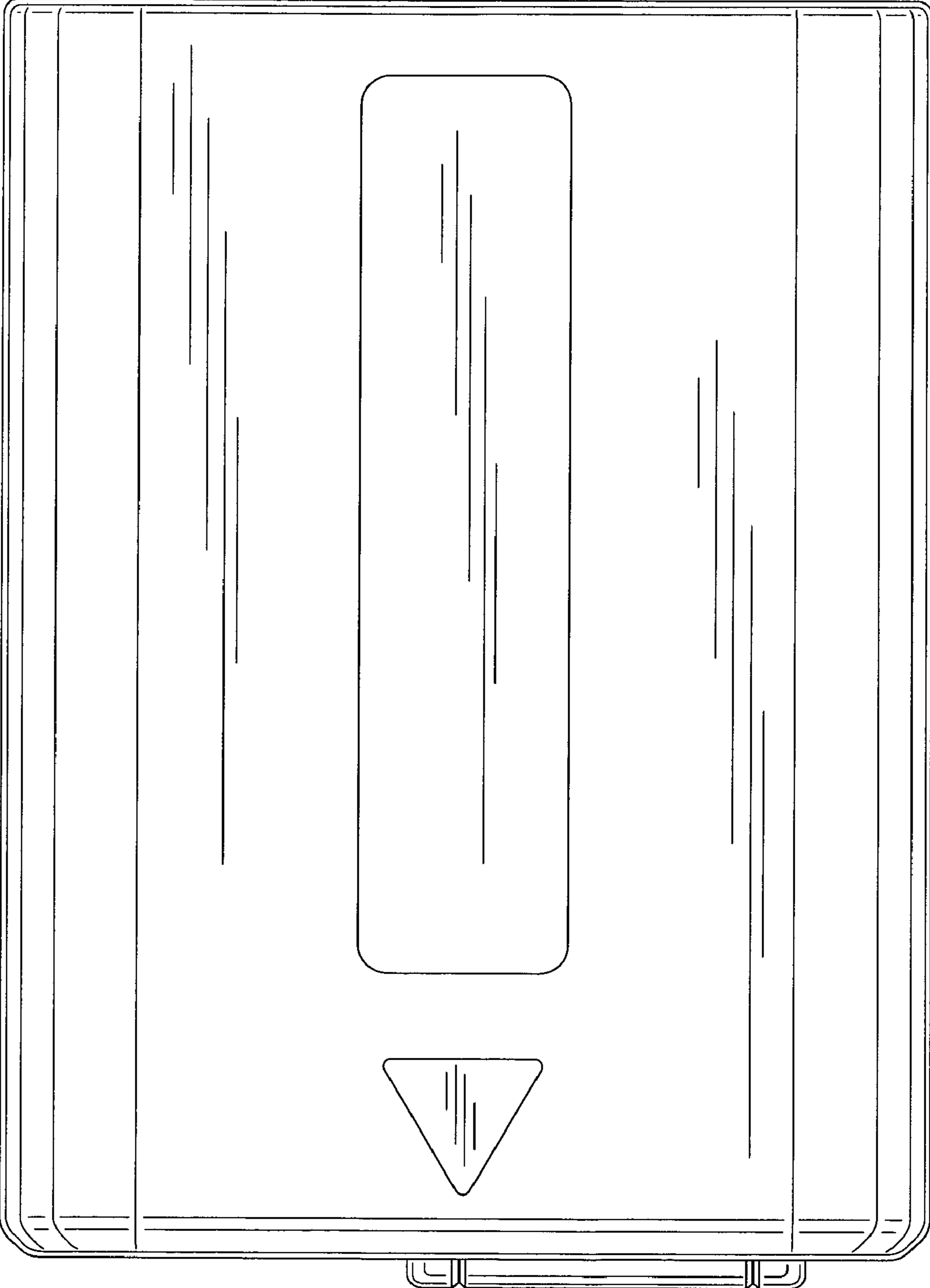
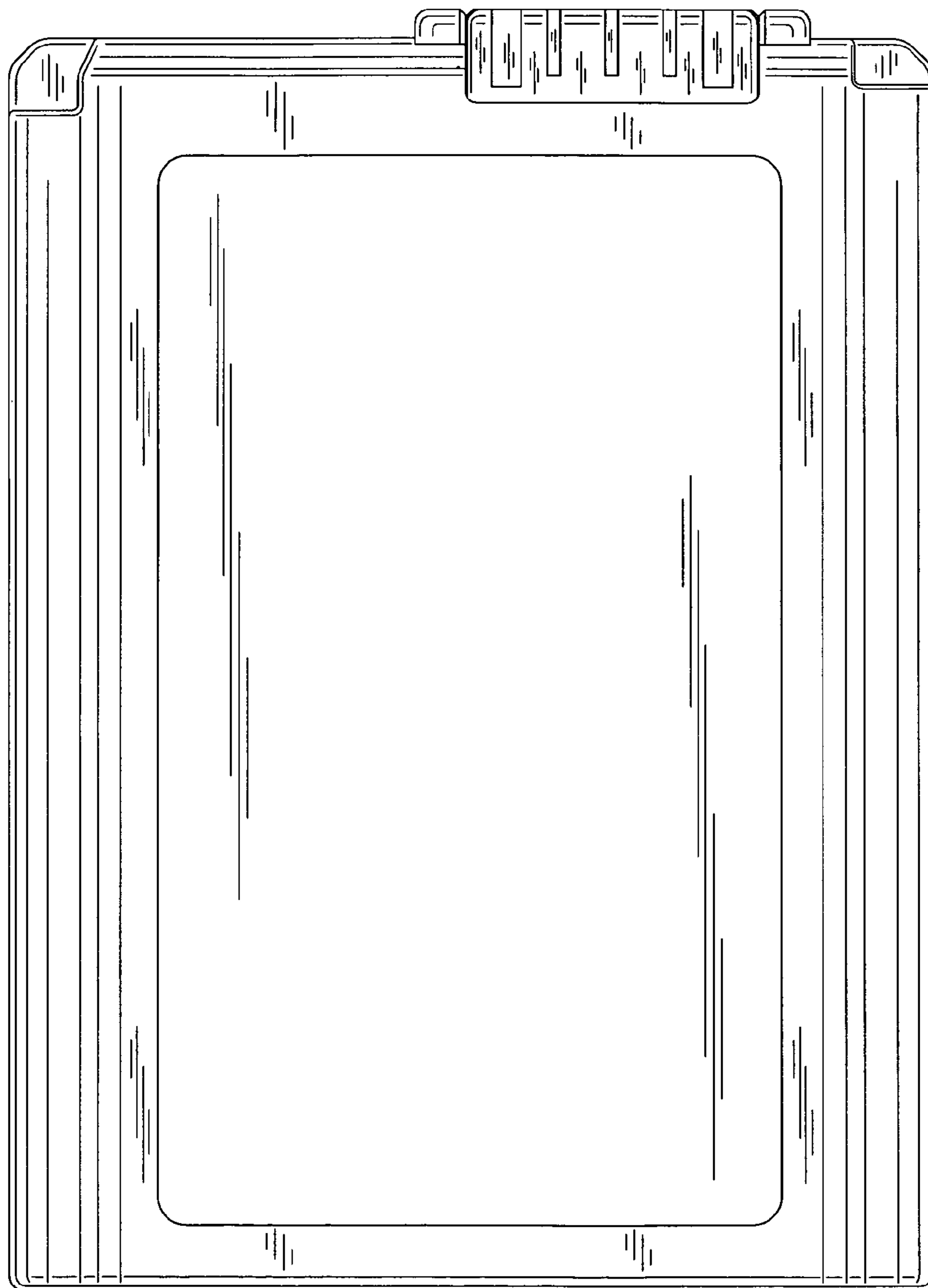


FIG.48



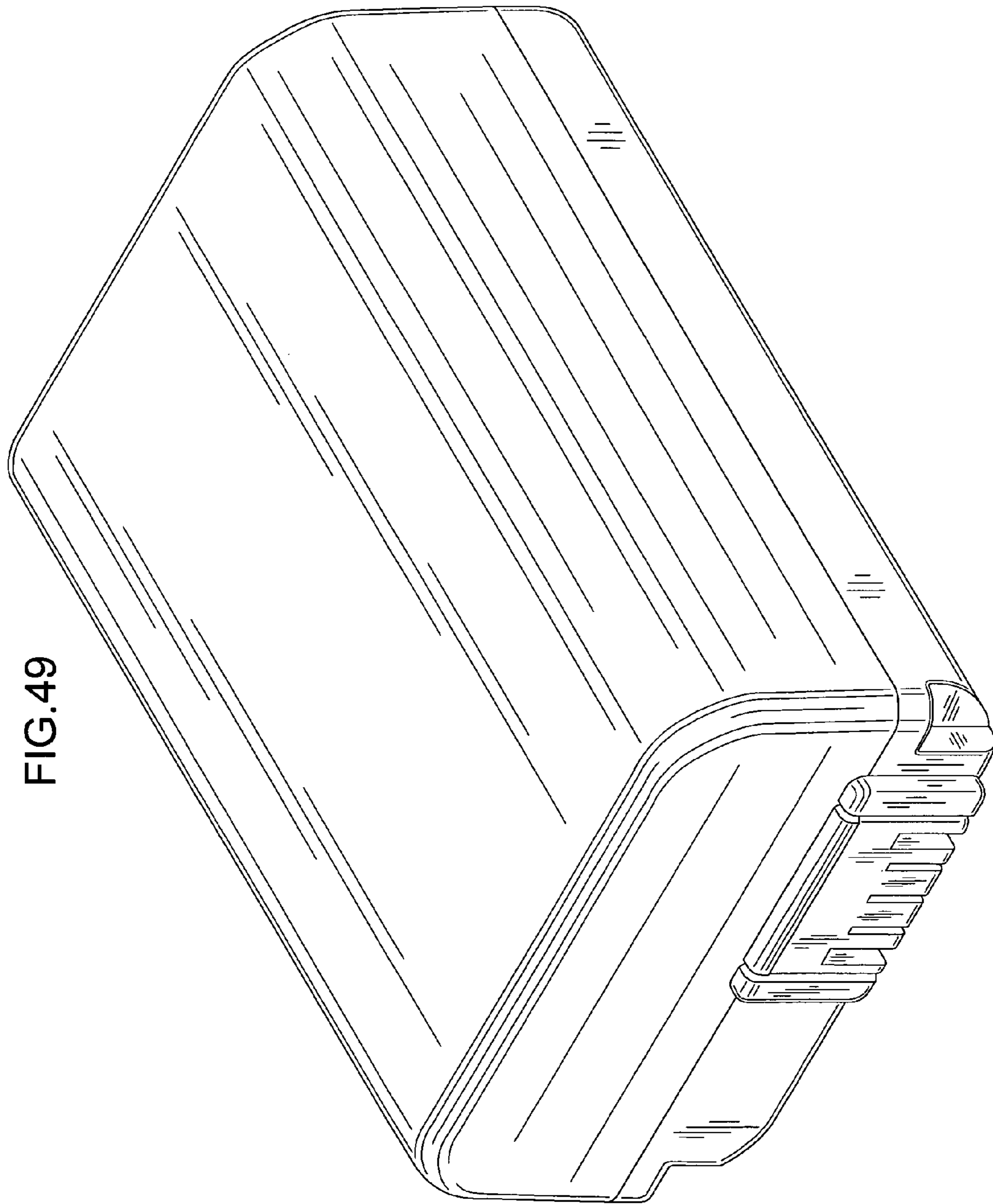


FIG. 49

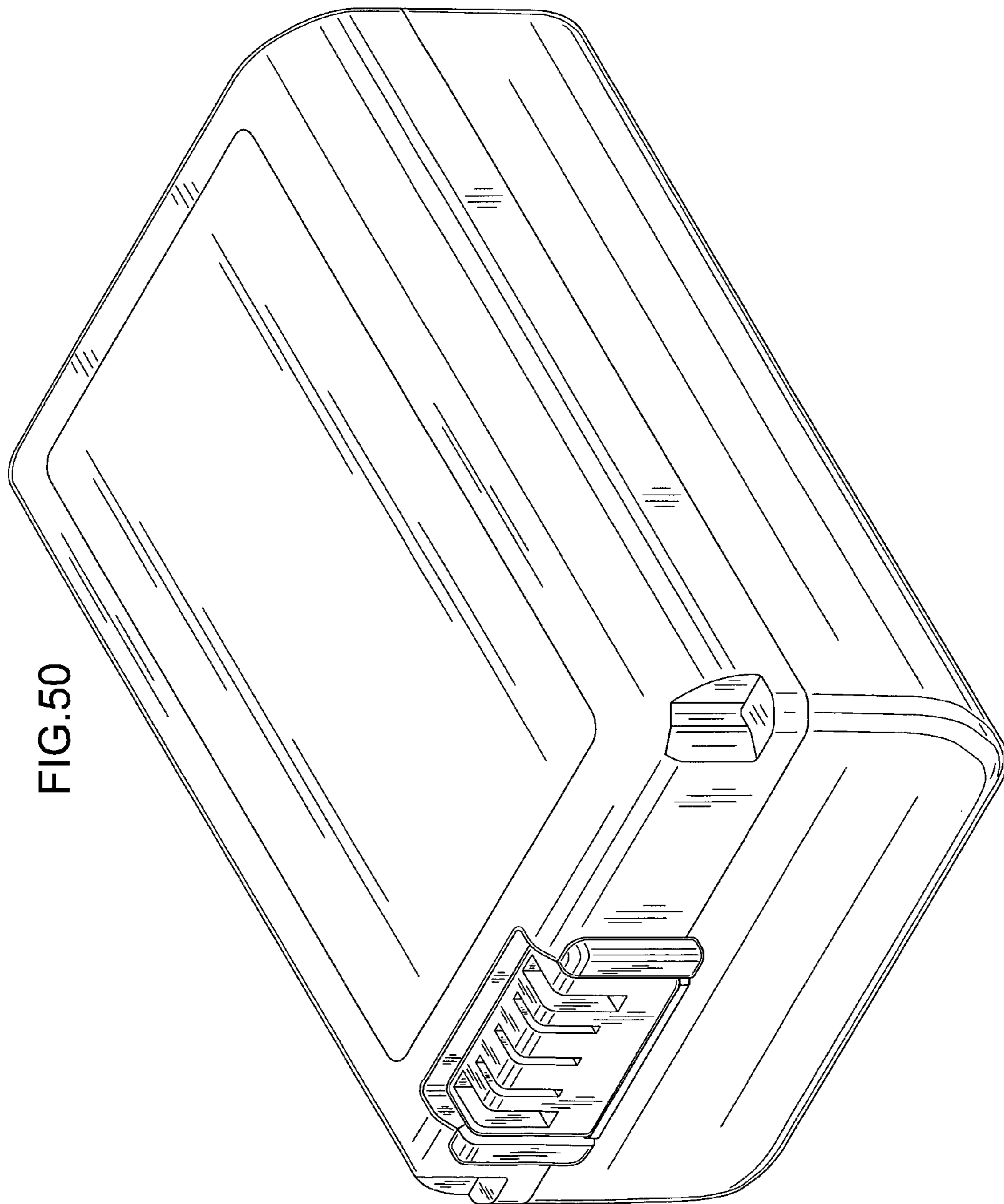


FIG. 50

FIG.51

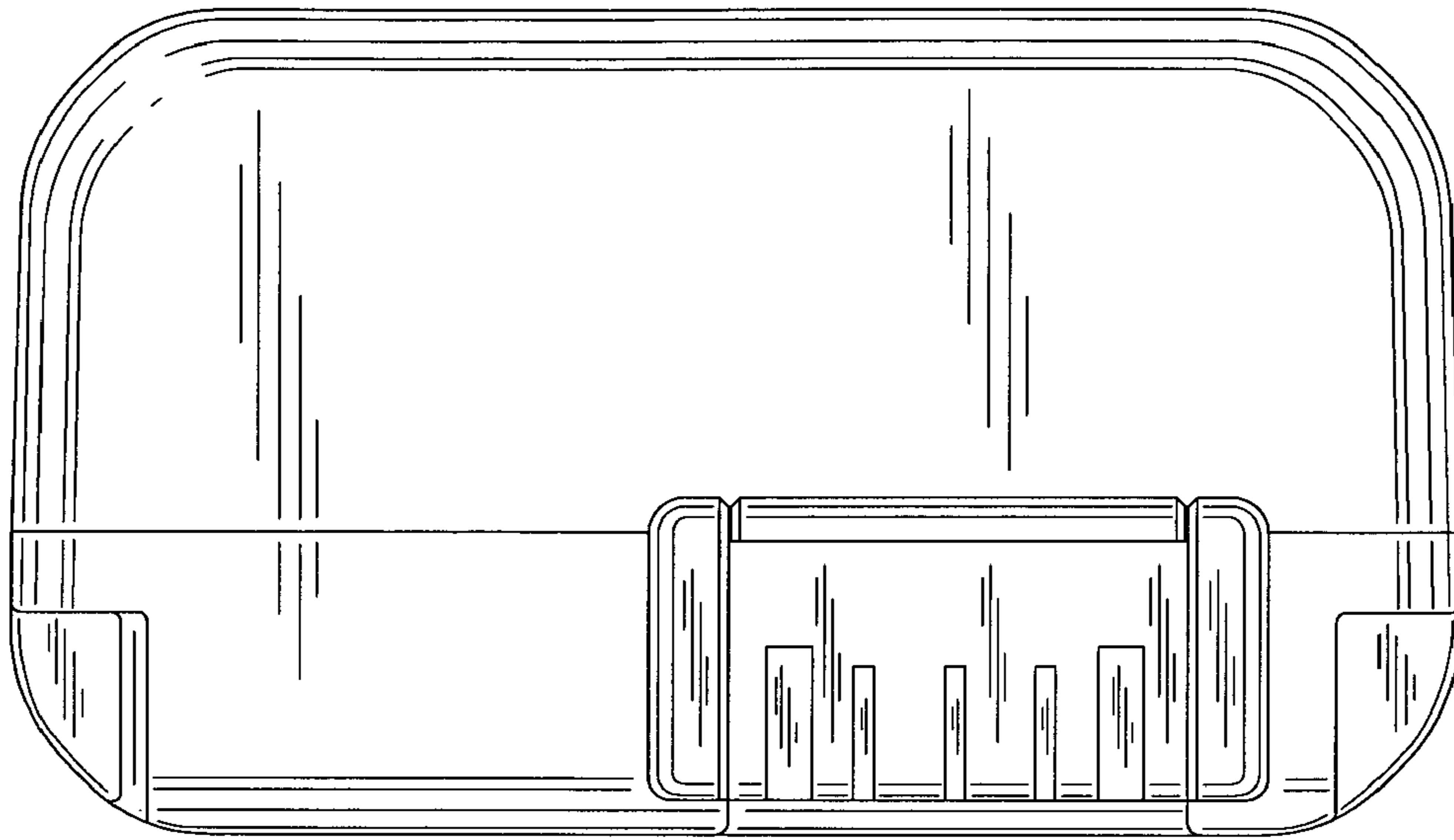
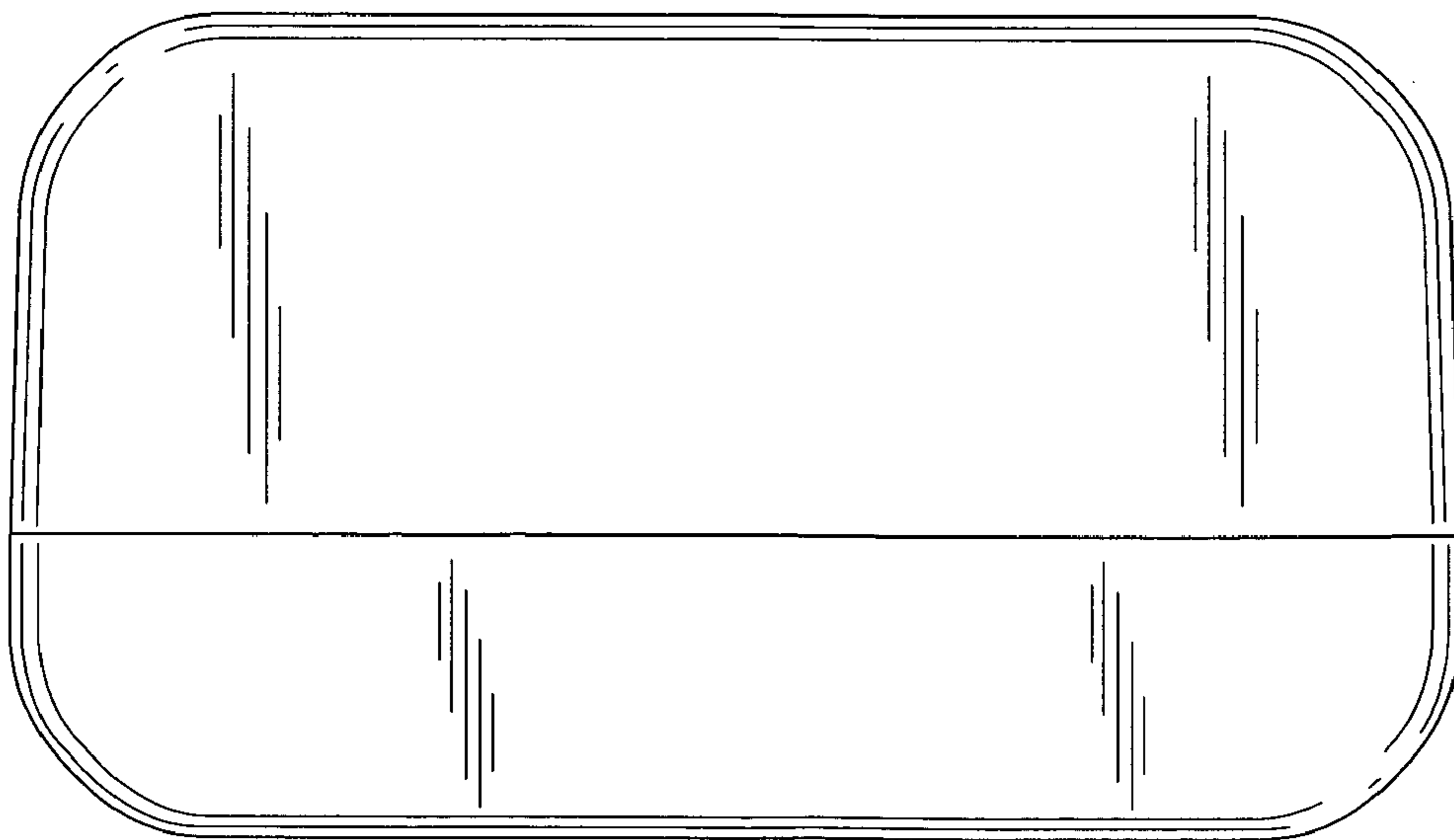


FIG.52



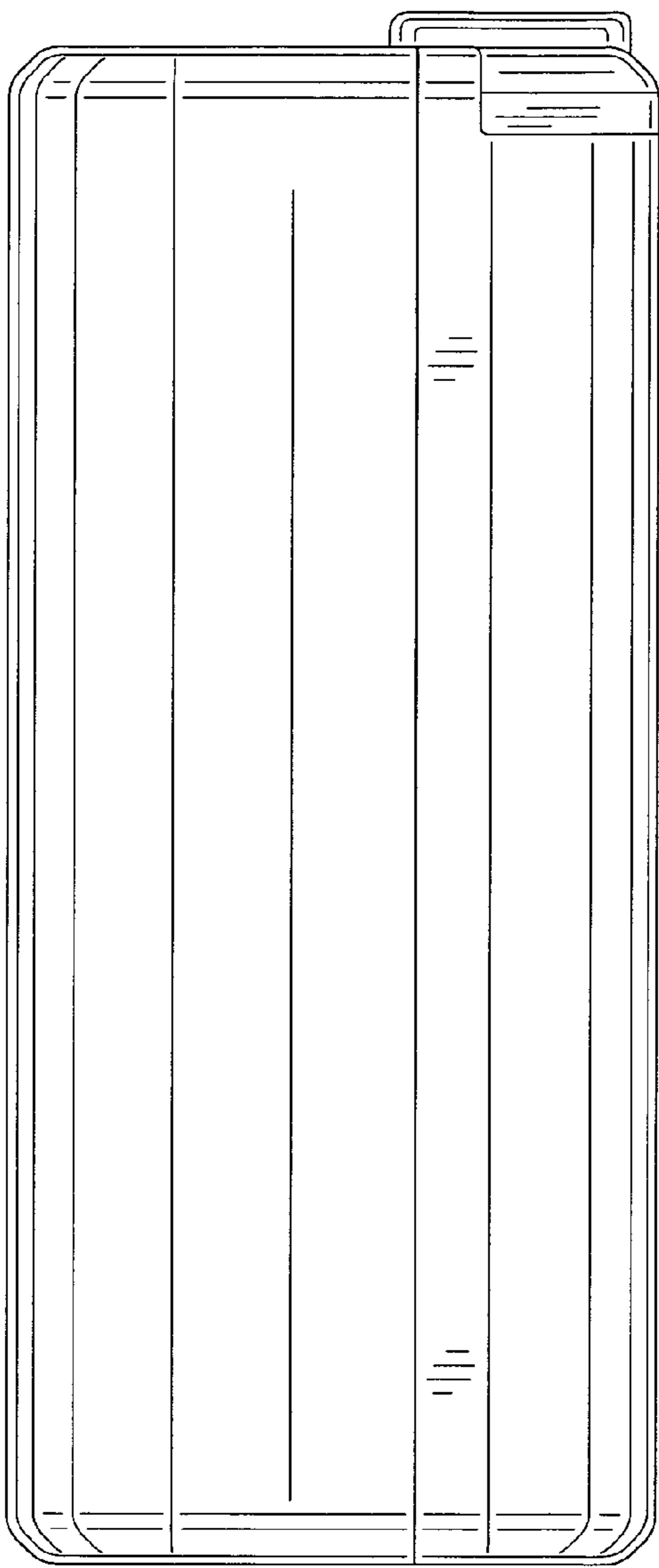


FIG. 53

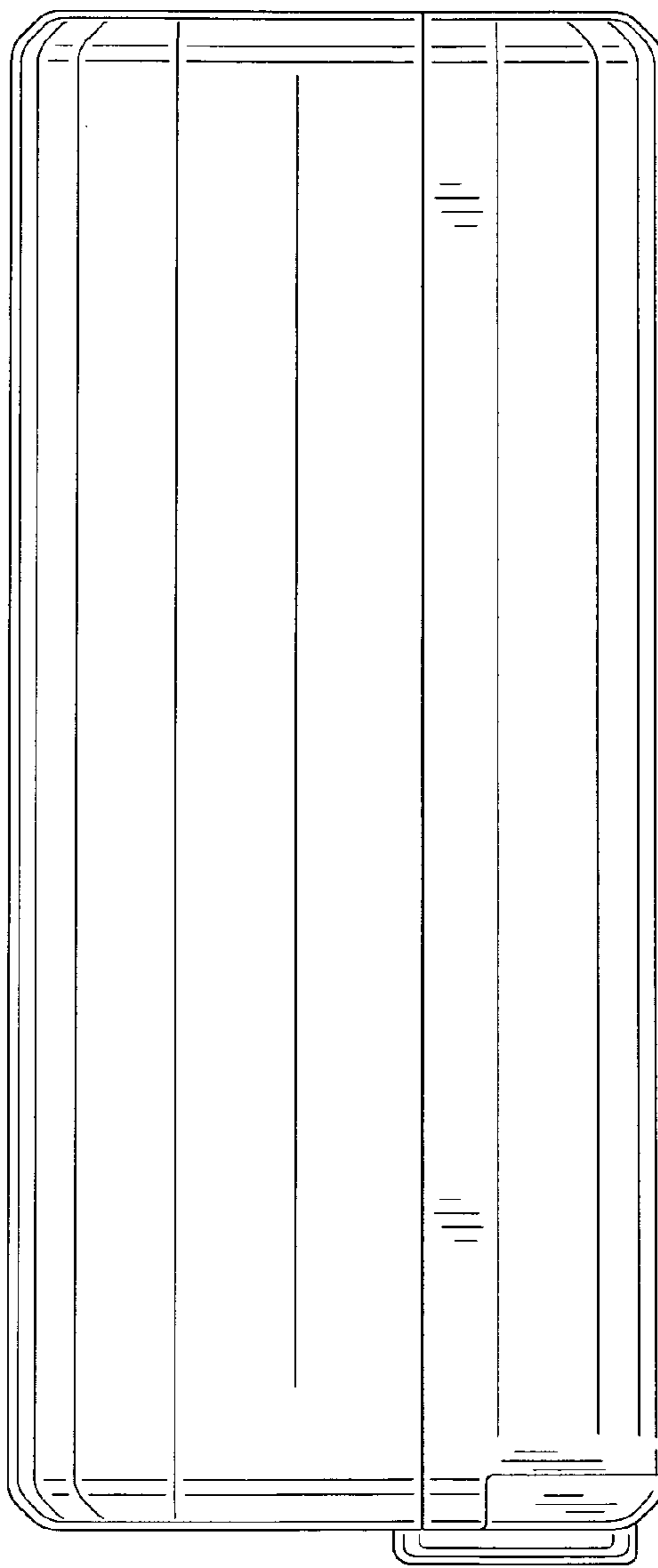


FIG. 54

FIG.55

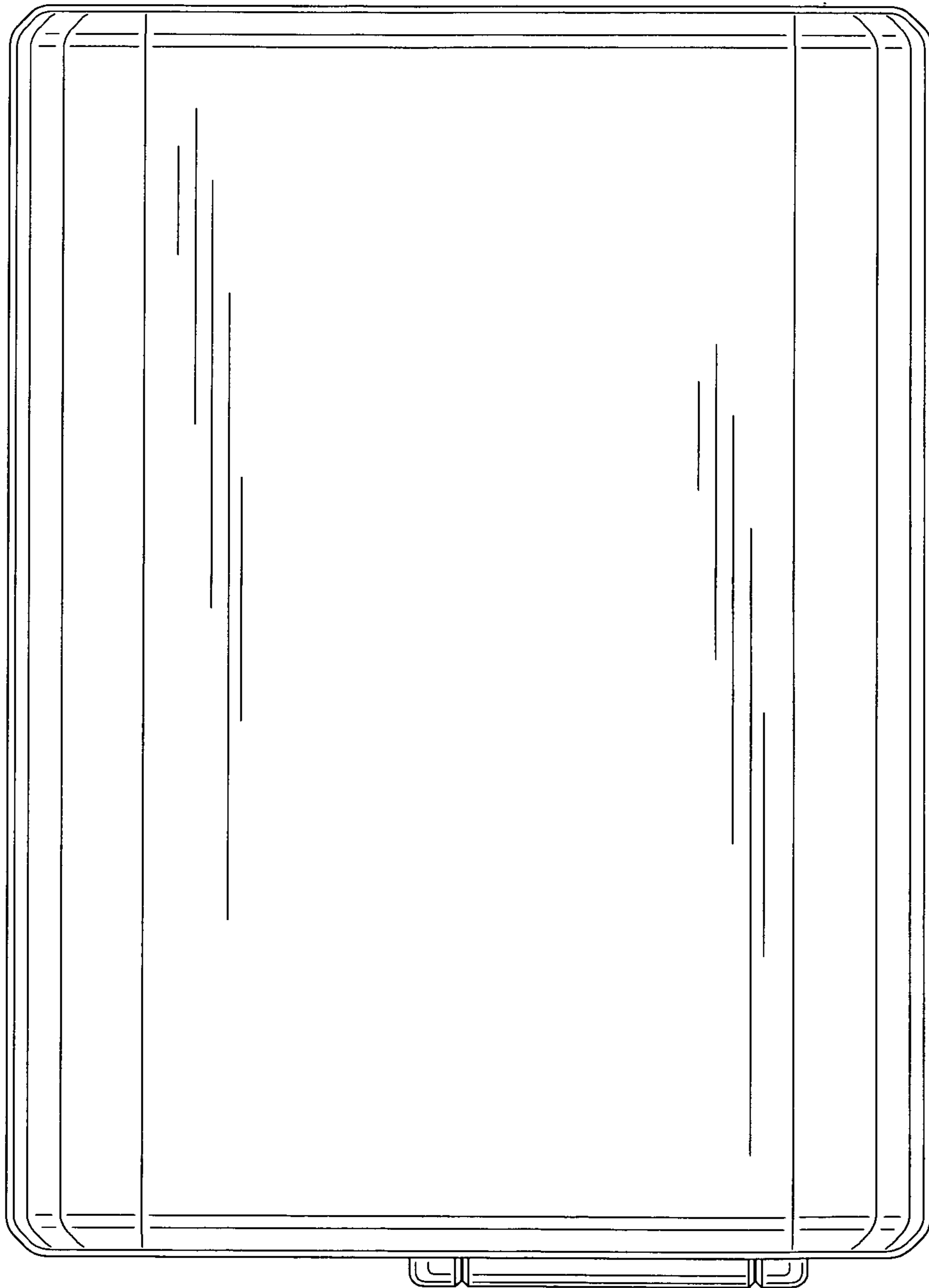
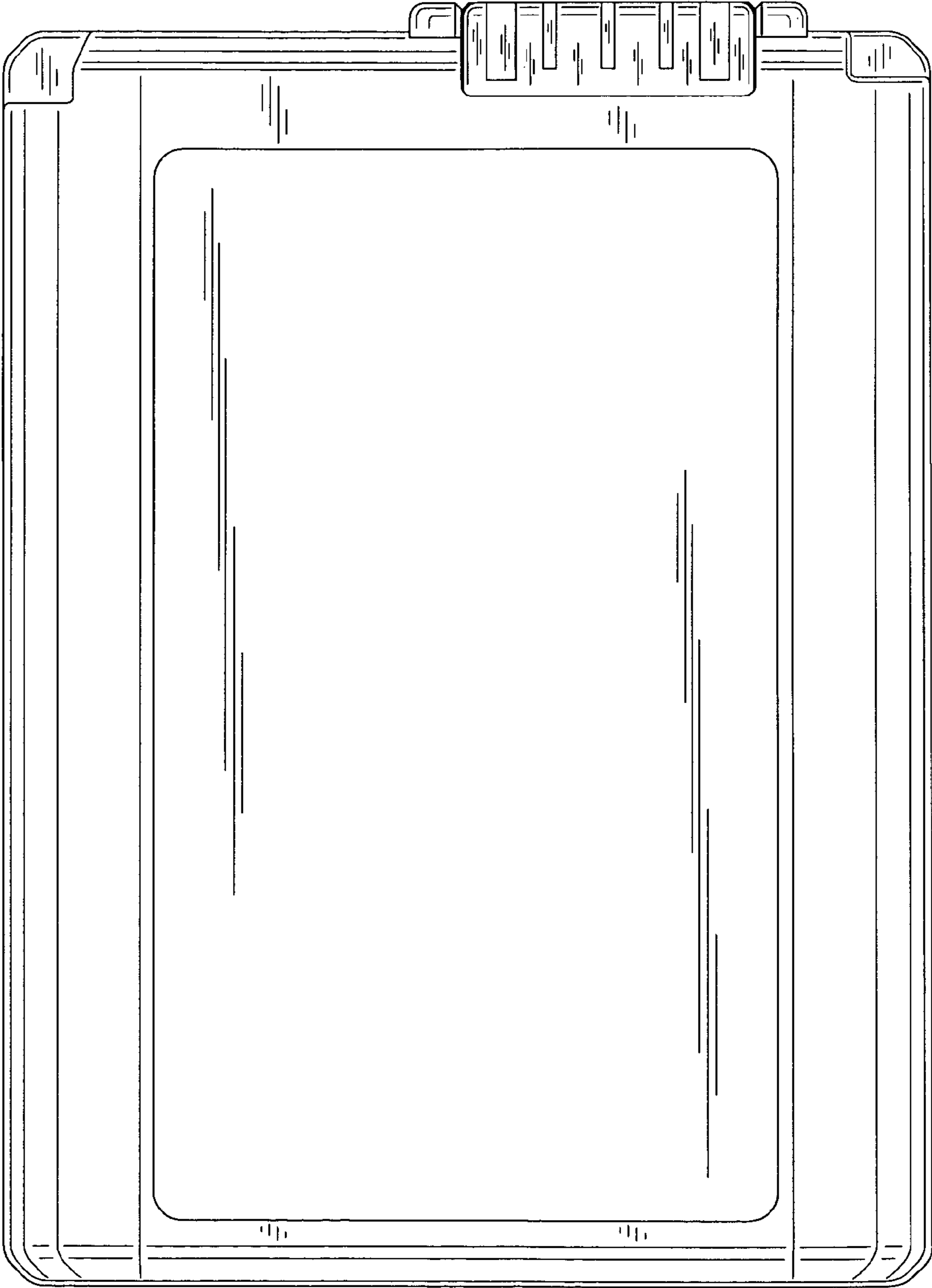


FIG.56



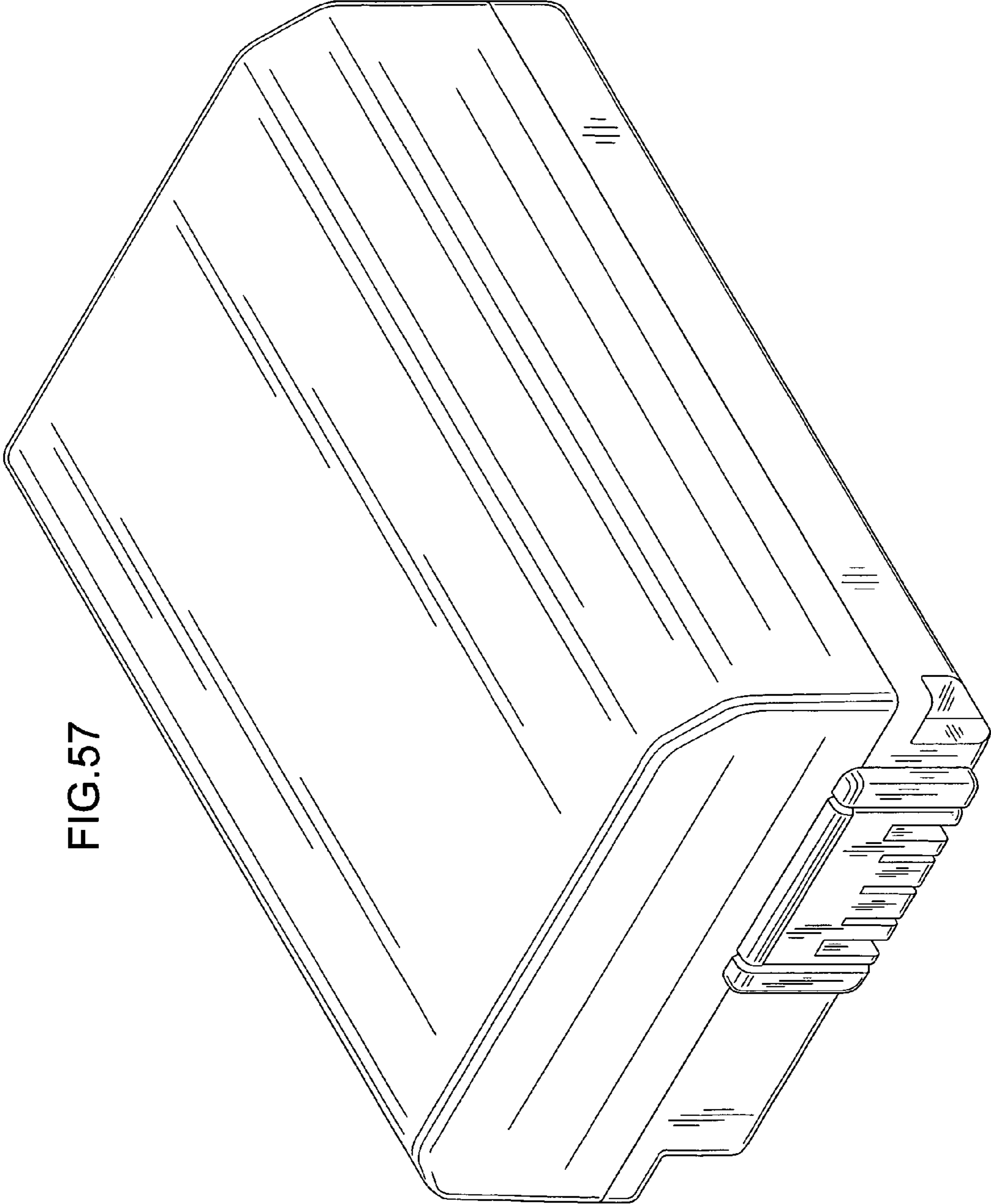


FIG.57

FIG. 58

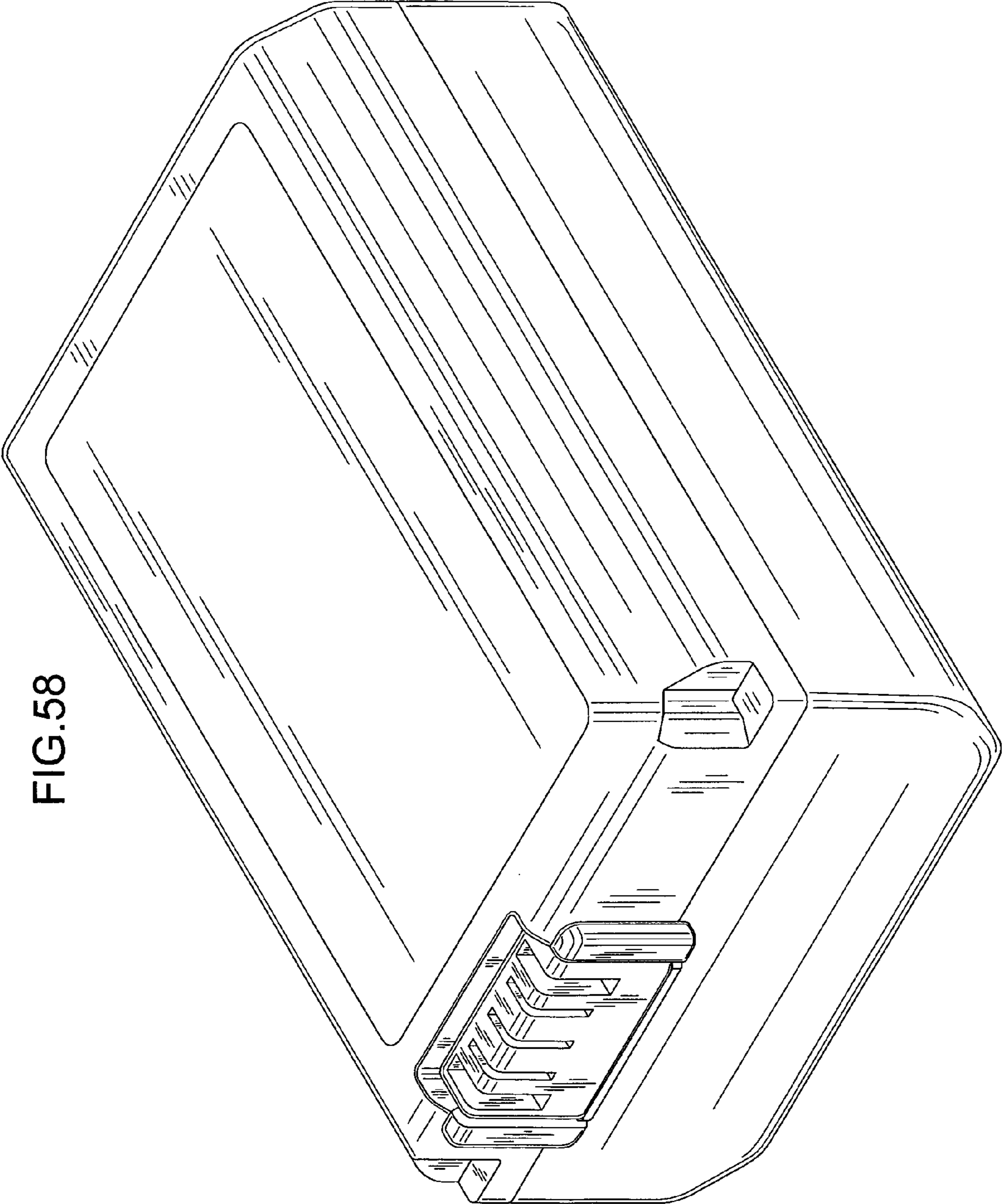


FIG.59

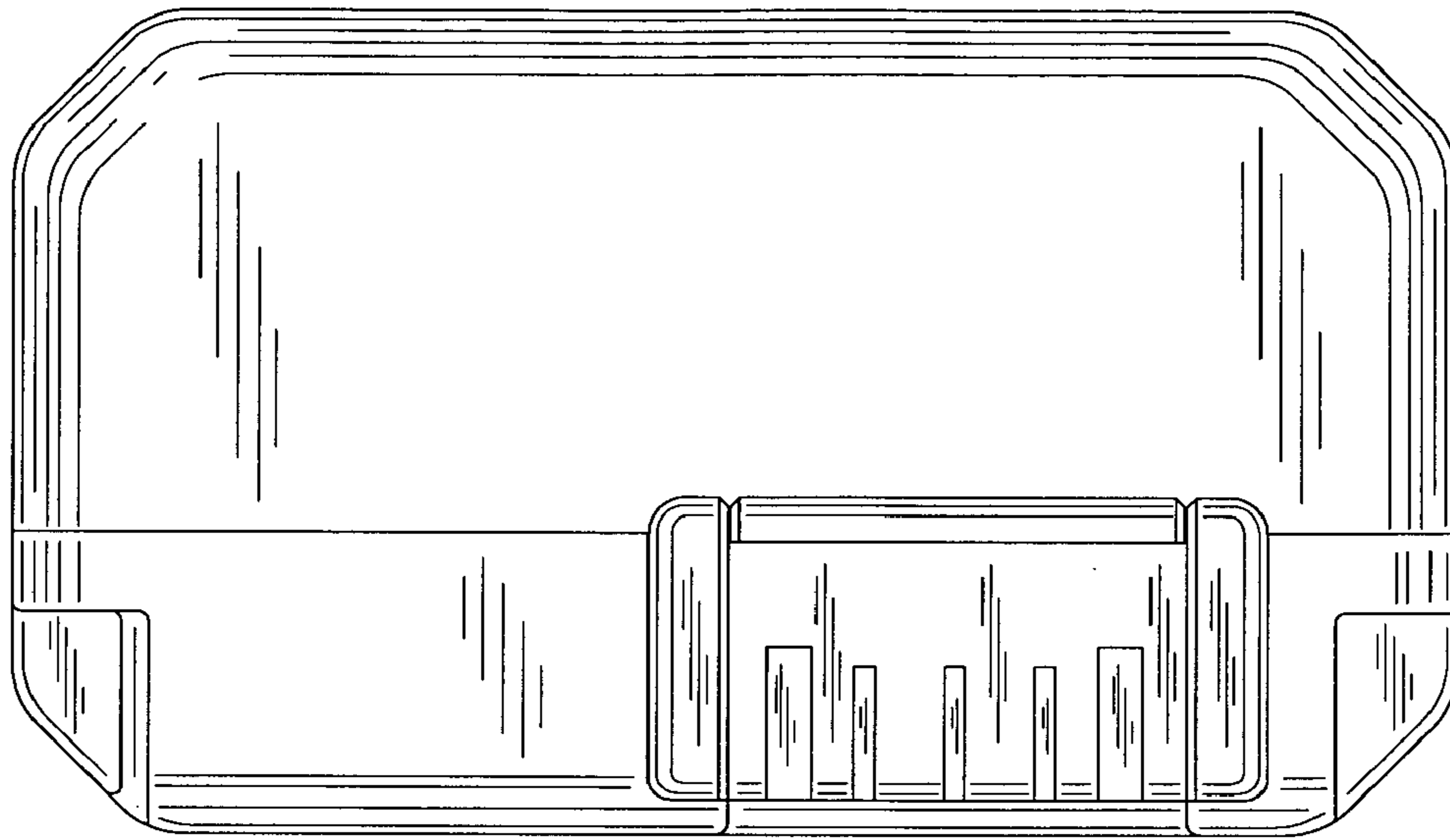
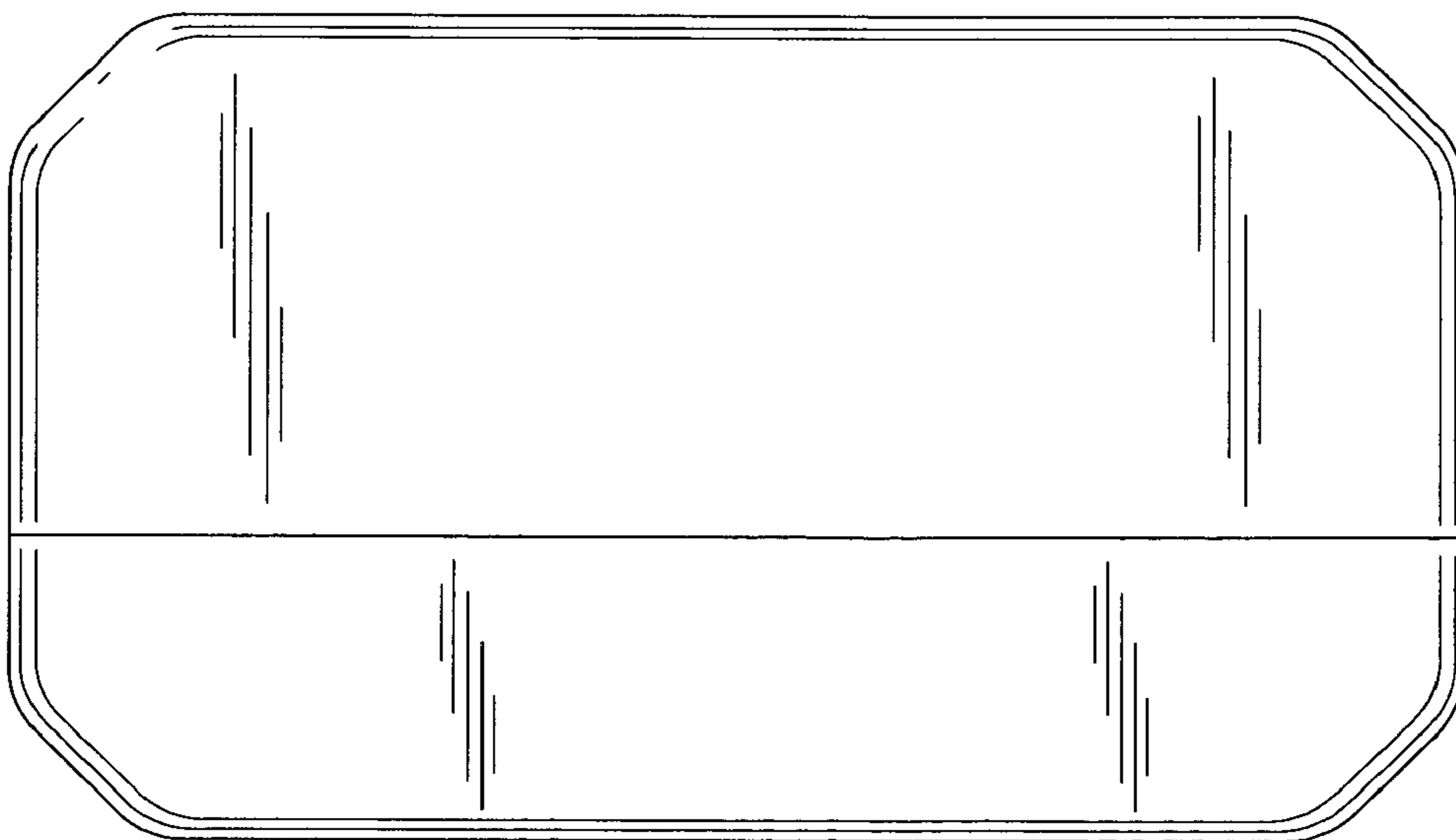


FIG.60



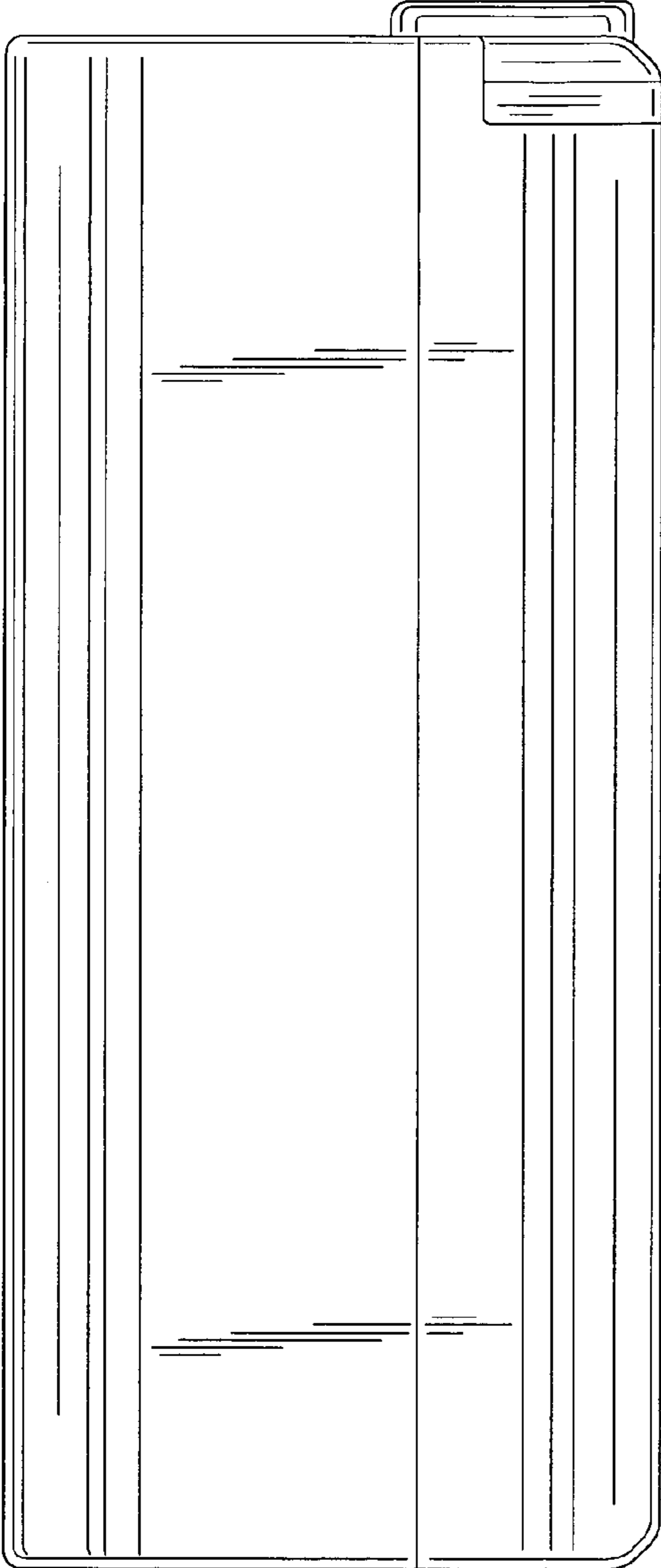


FIG. 61

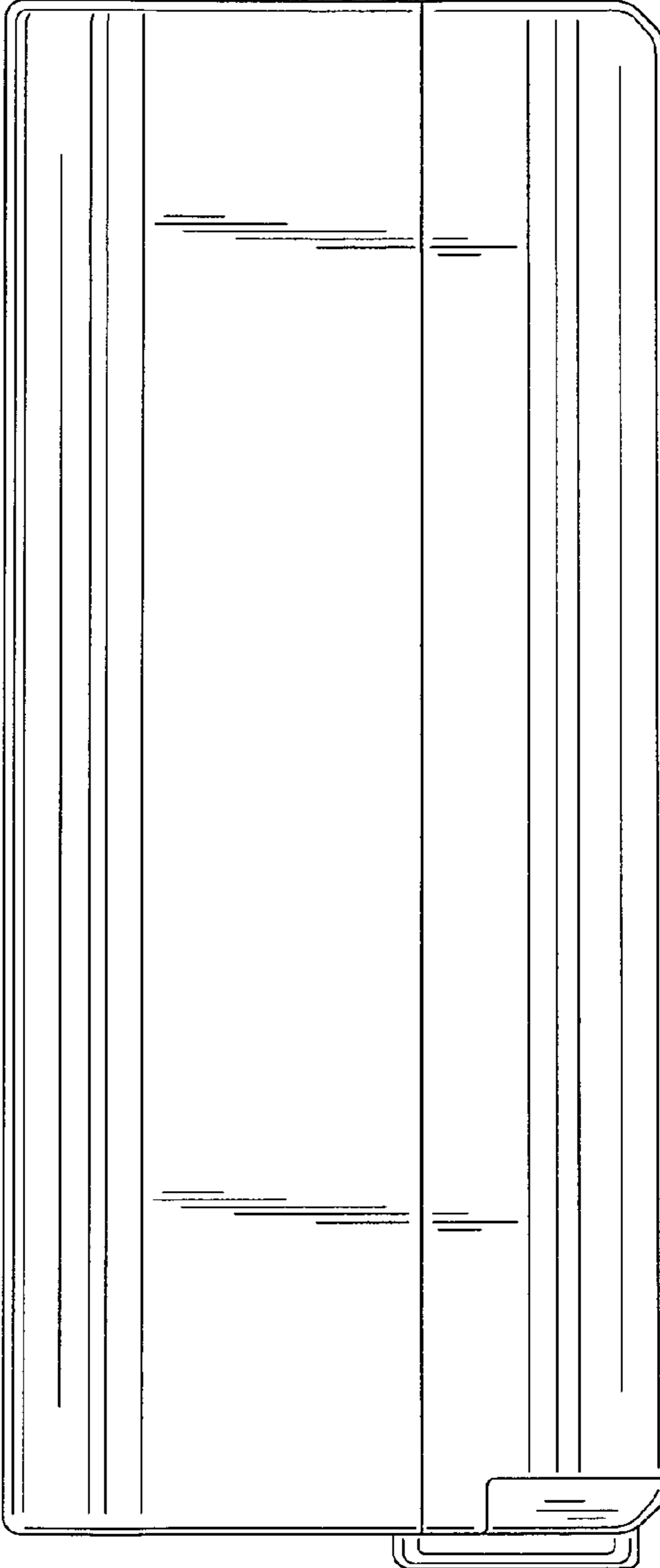


FIG. 62

FIG.63

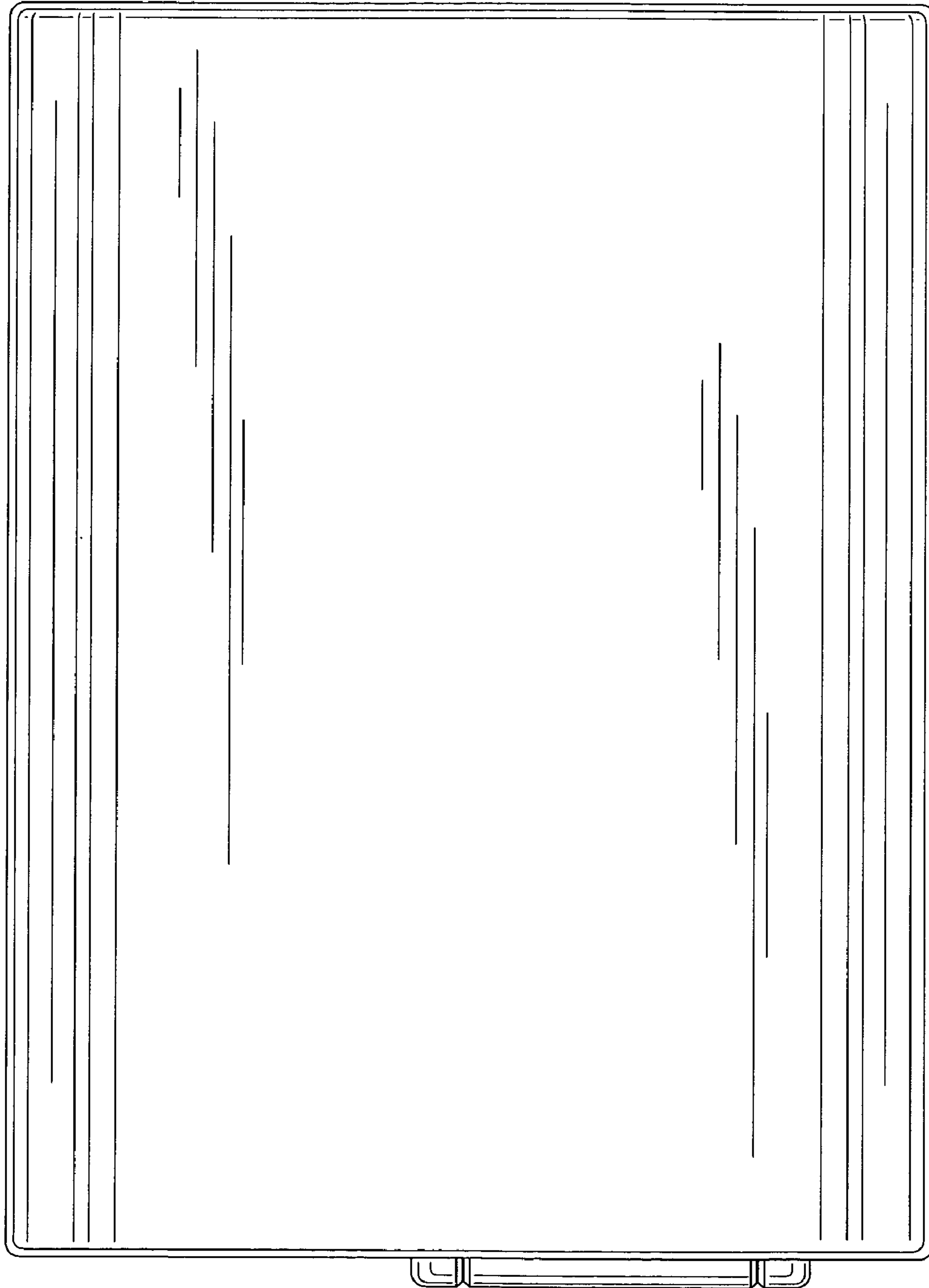
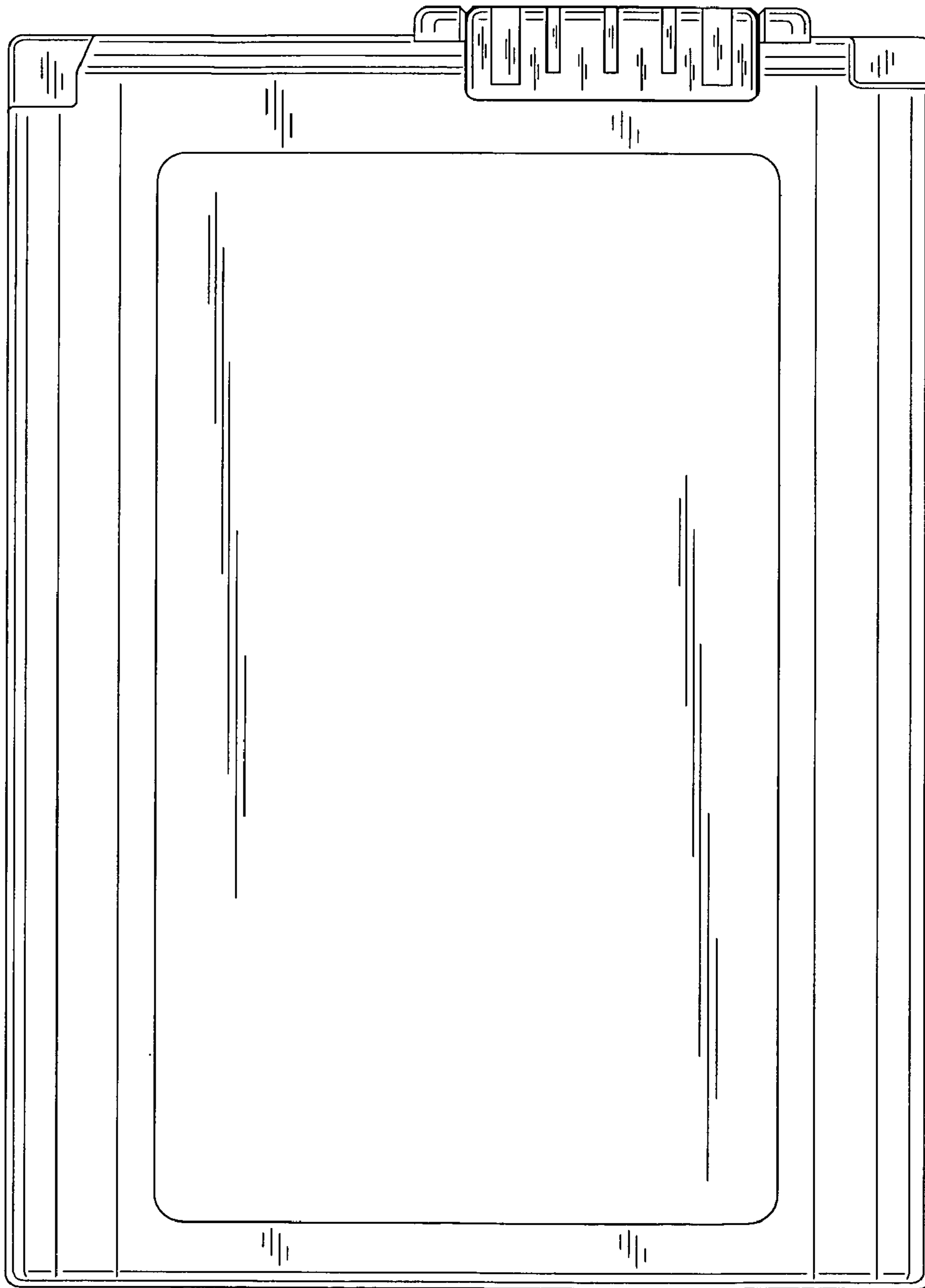


FIG.64



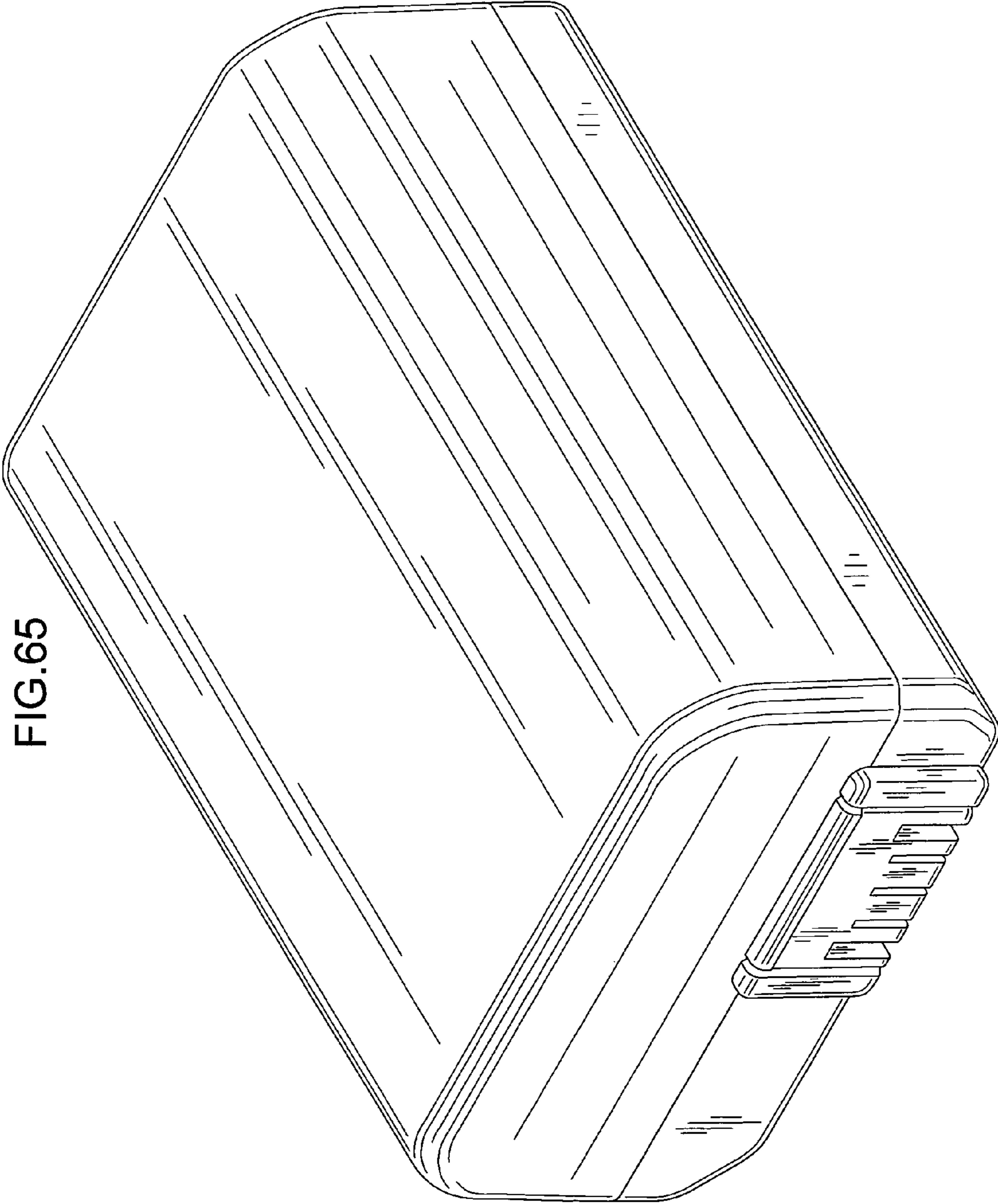


FIG. 65

FIG. 66

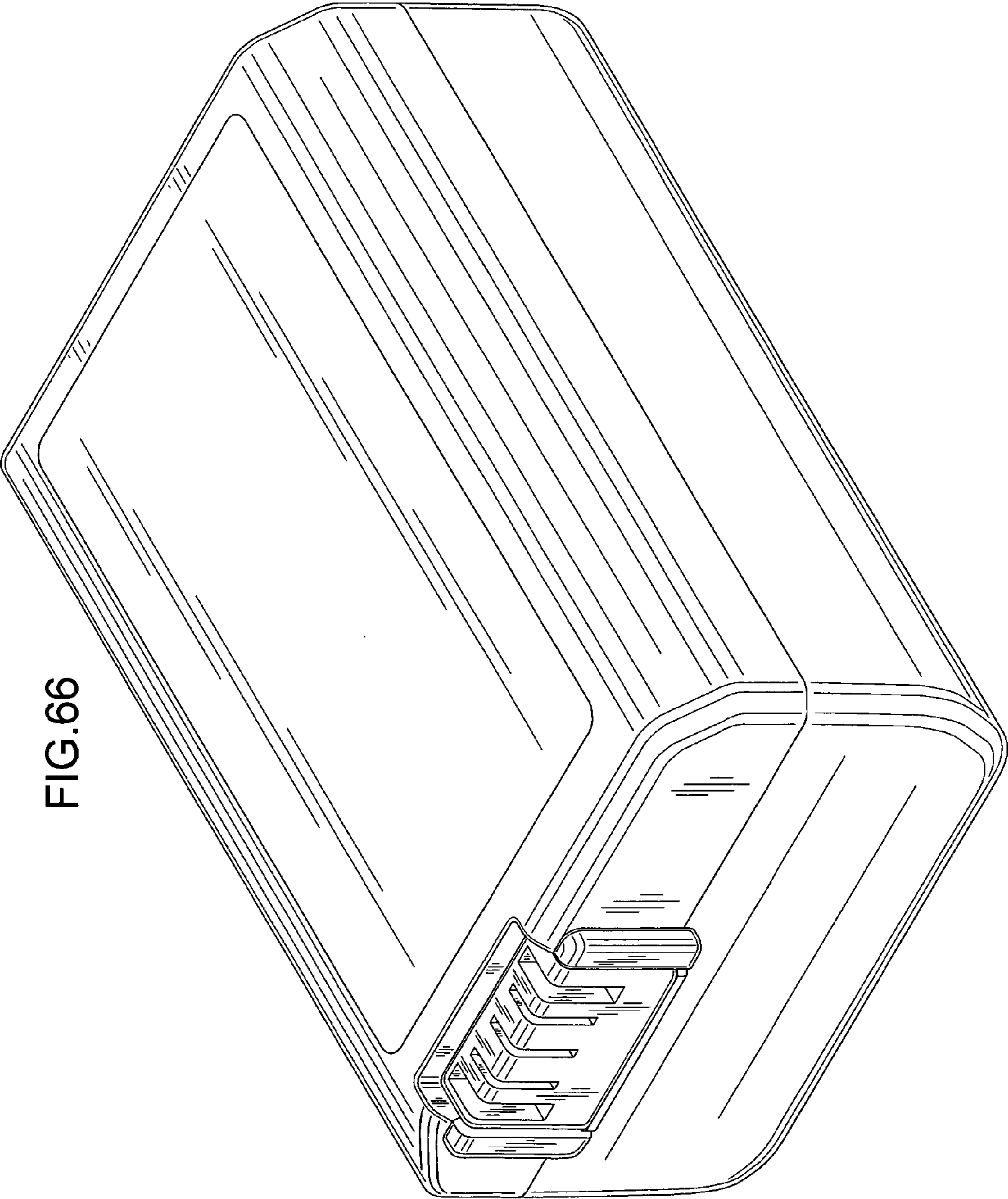


FIG.67

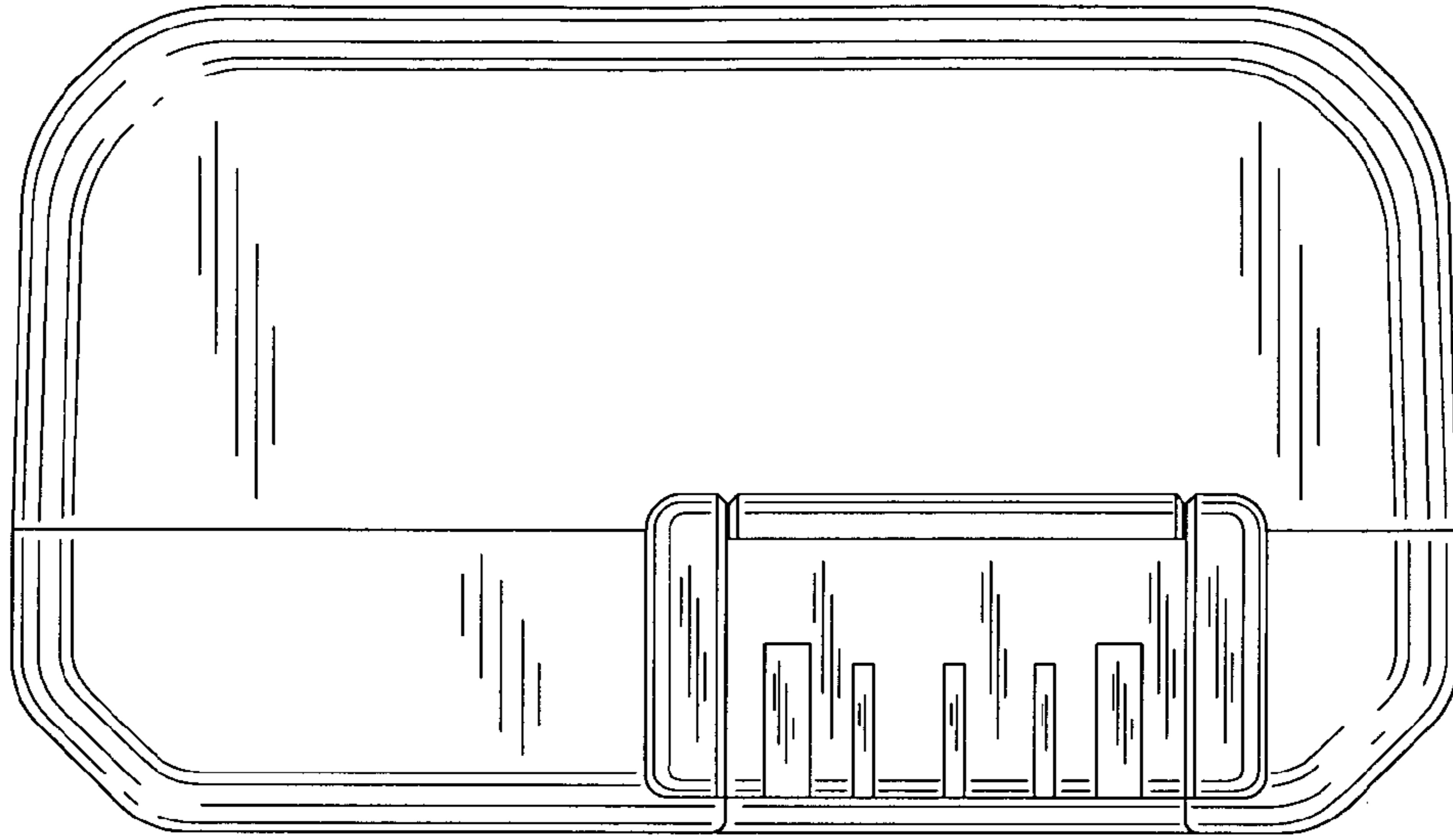
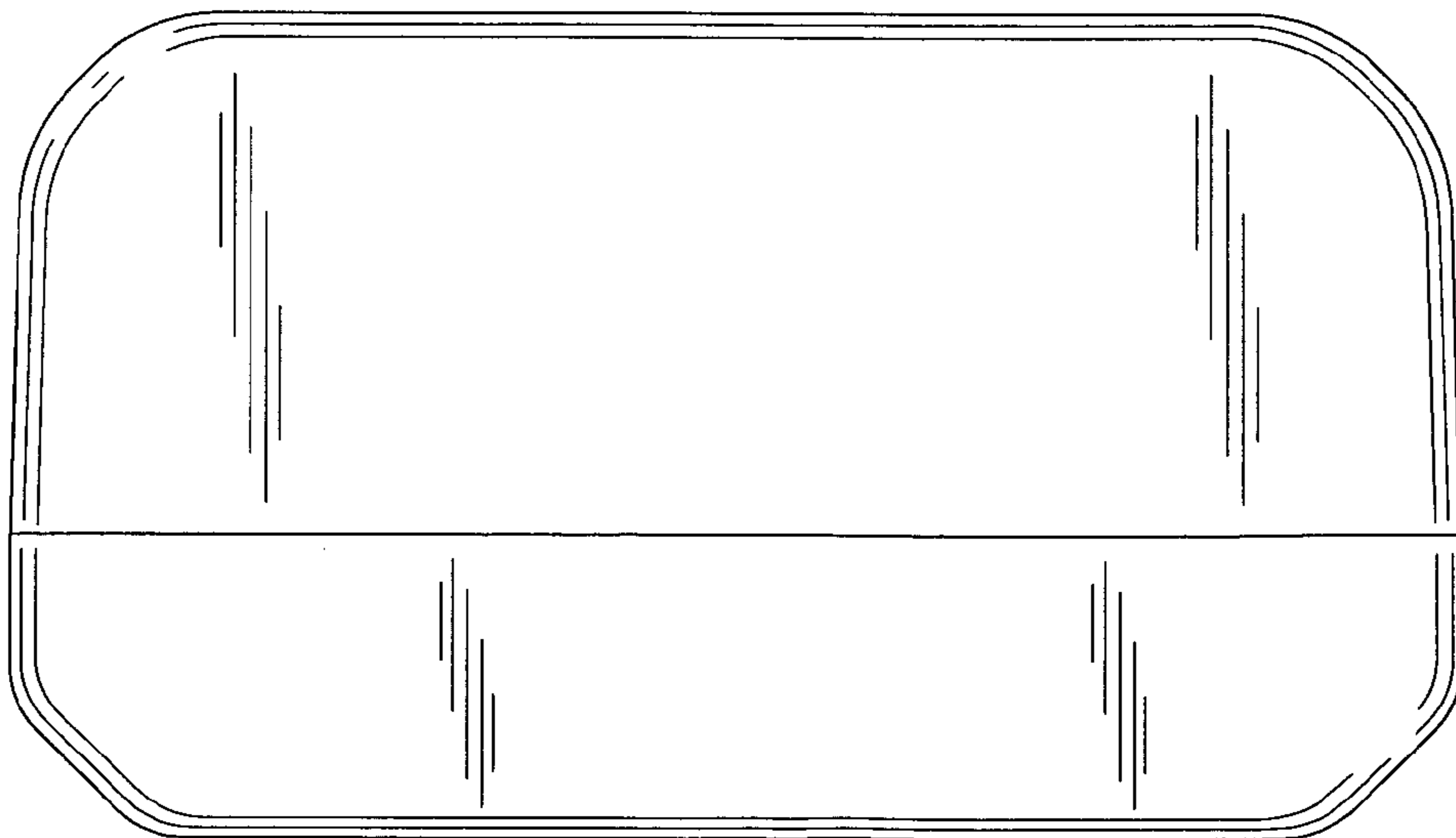


FIG.68



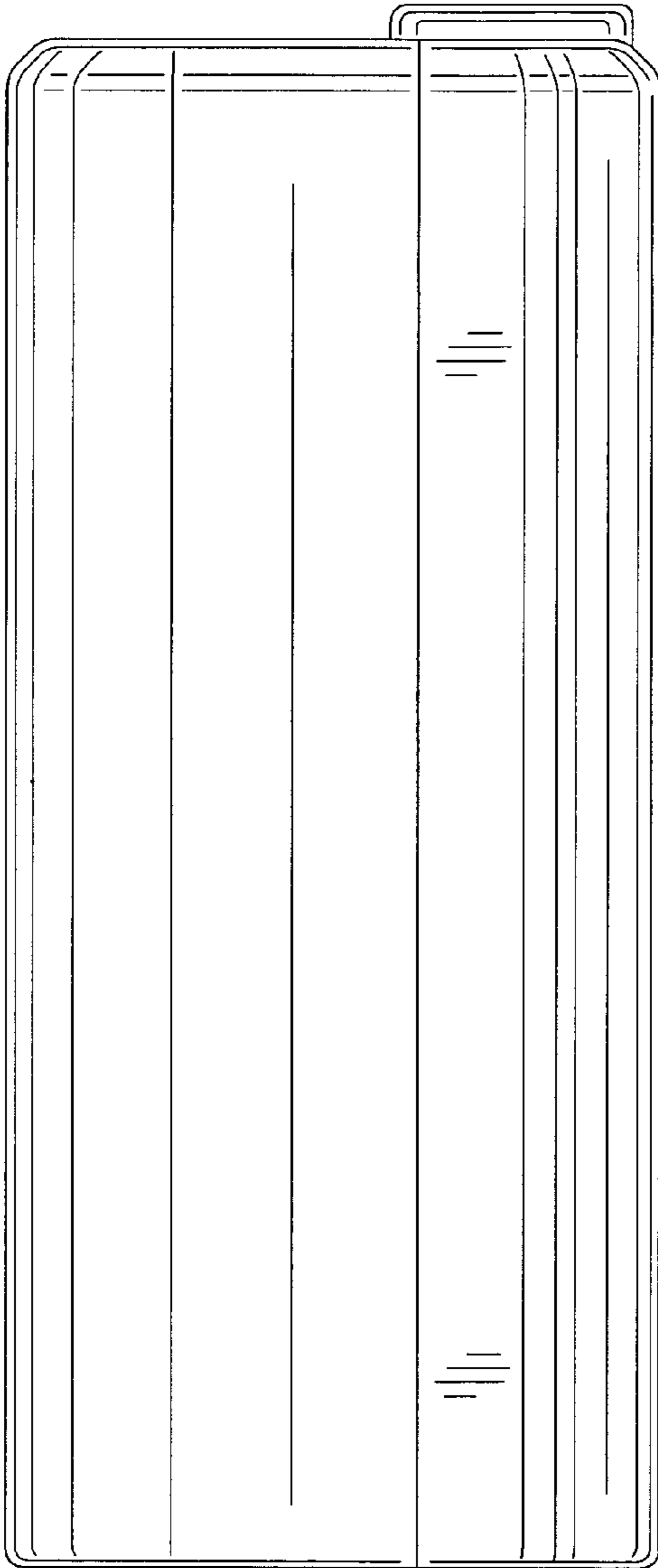


FIG. 69

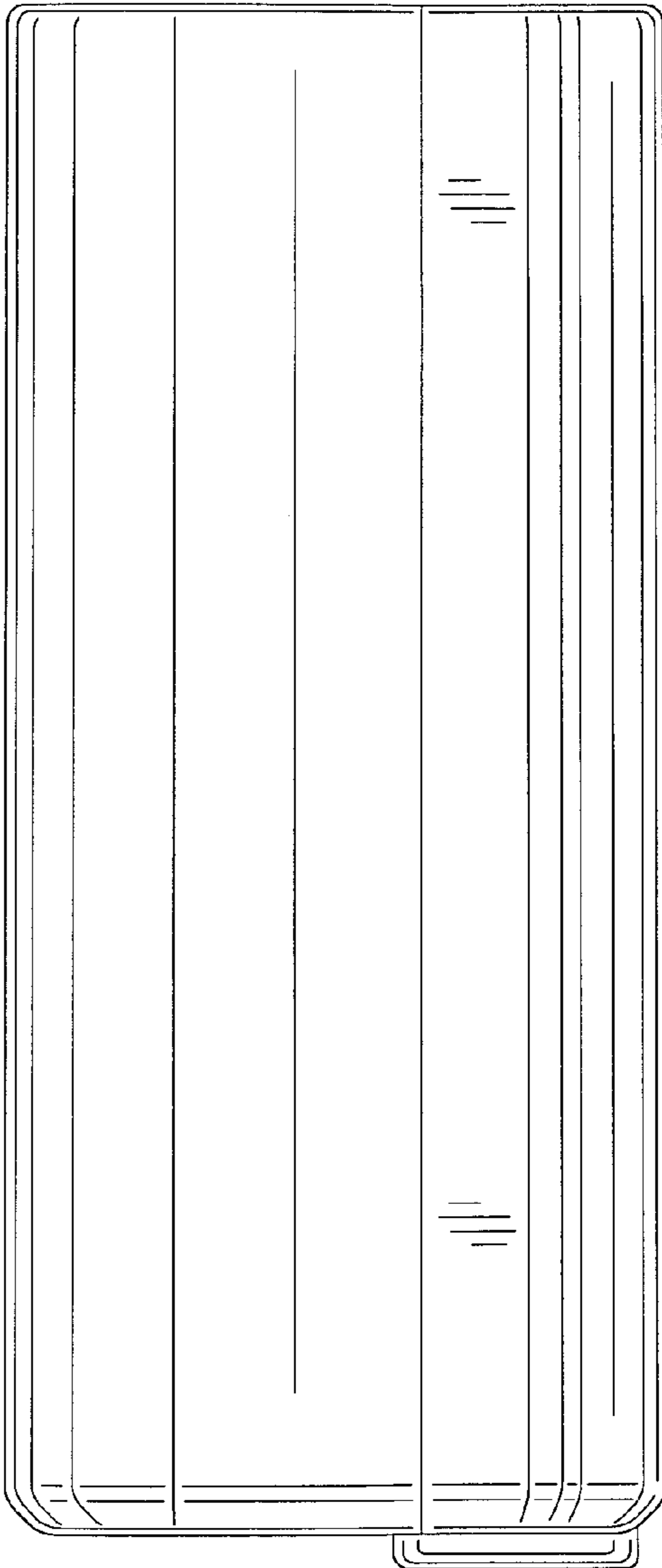


FIG. 70

FIG.71

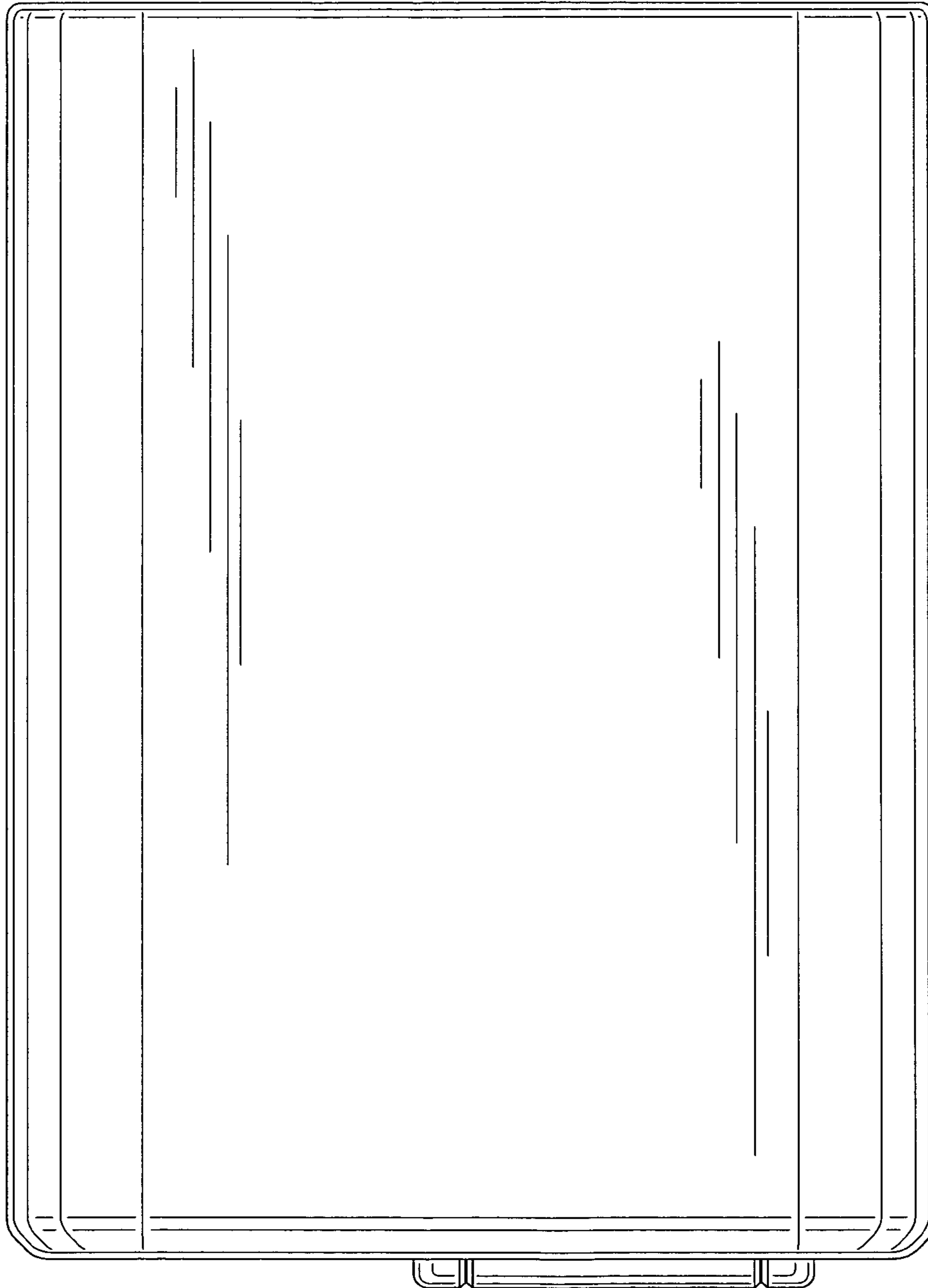
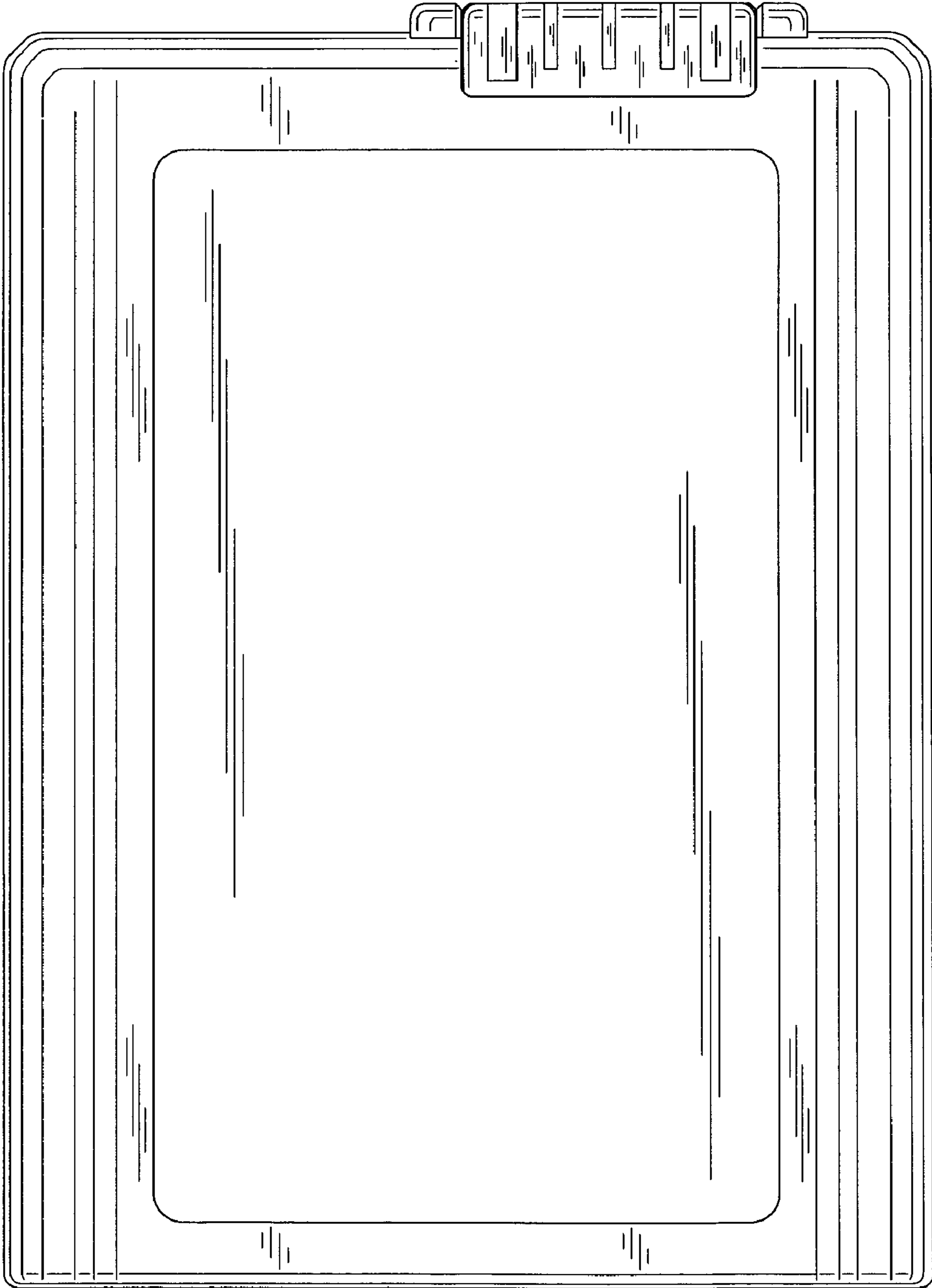


FIG.72



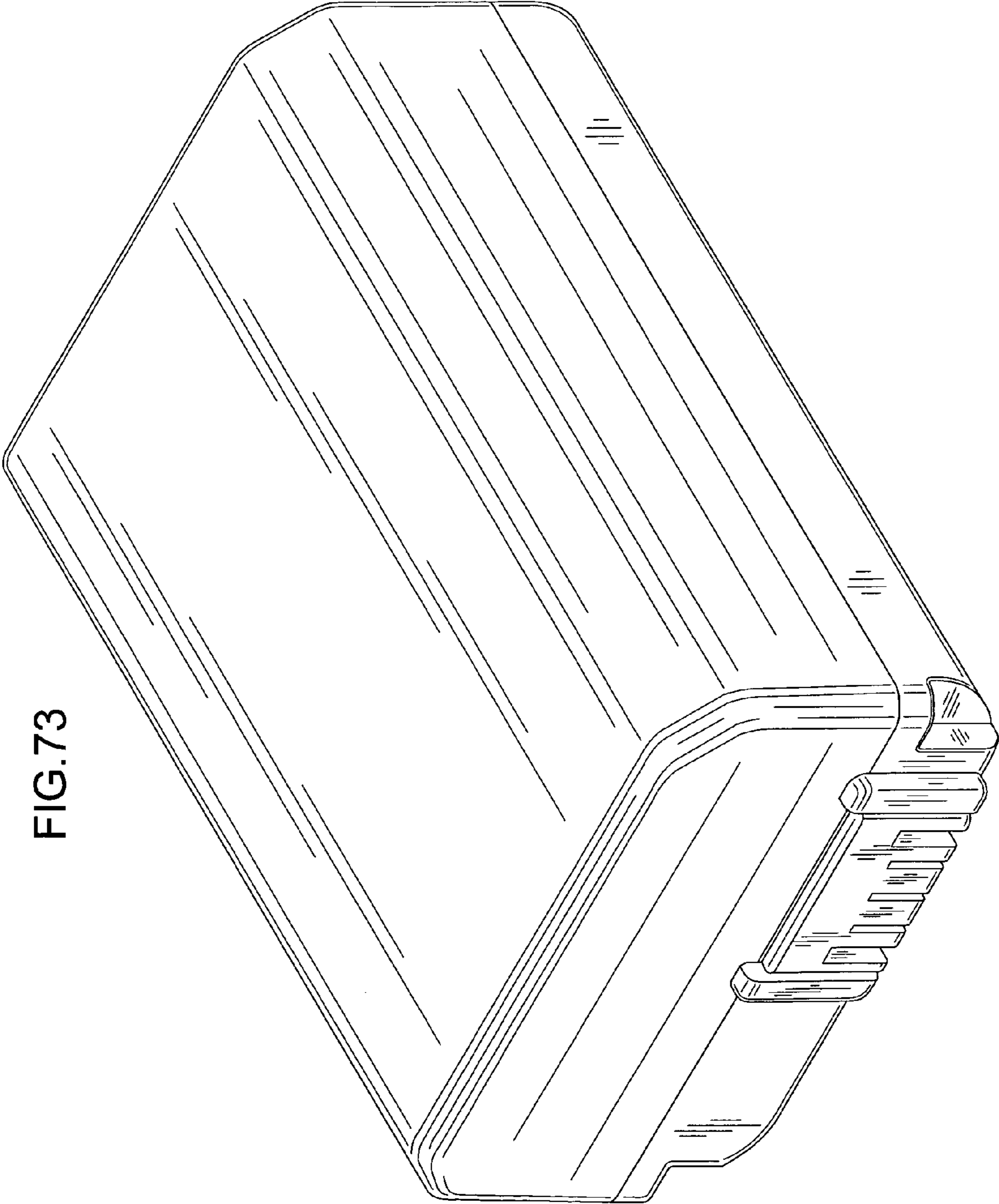


FIG.73

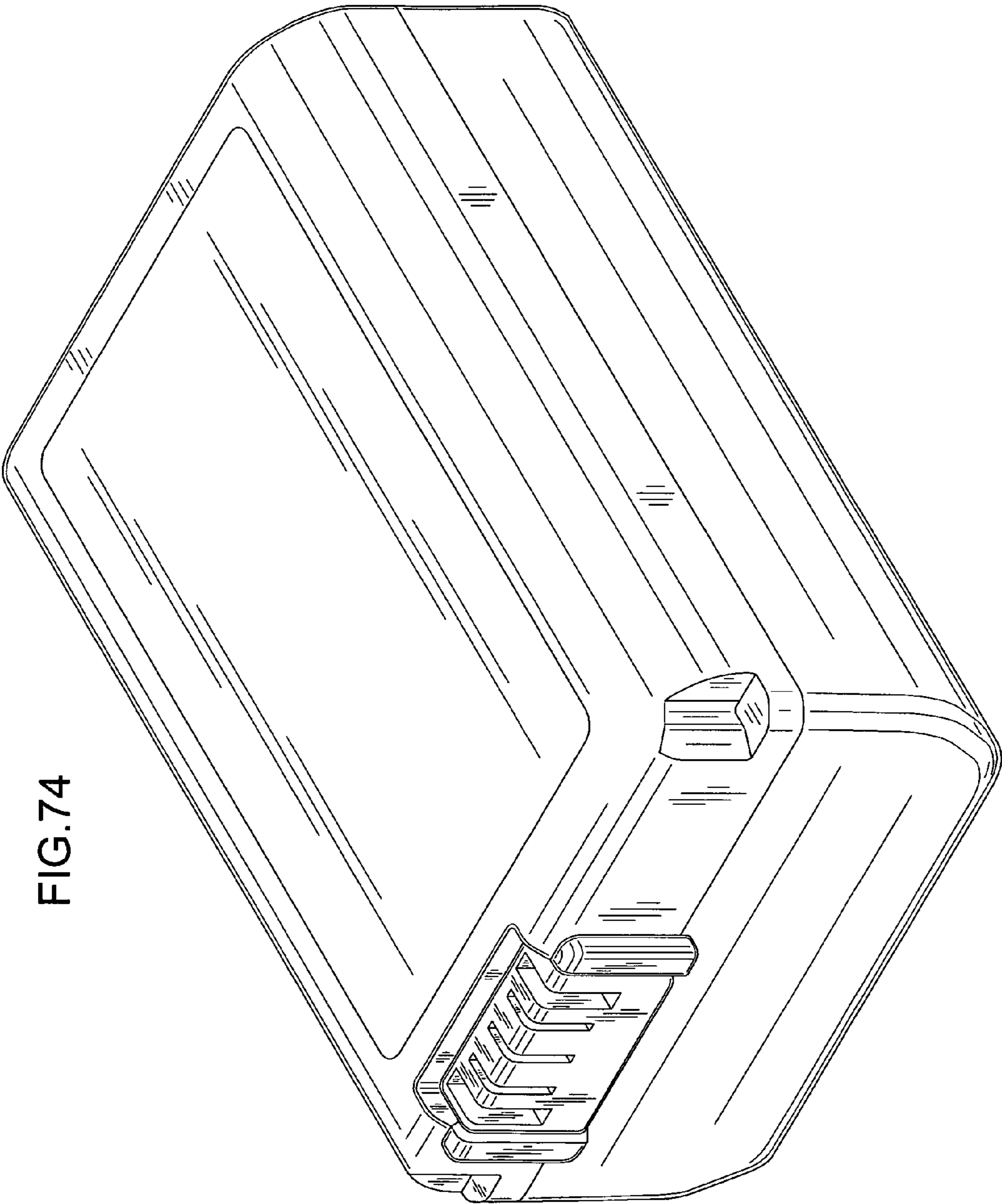


FIG.74

FIG.75

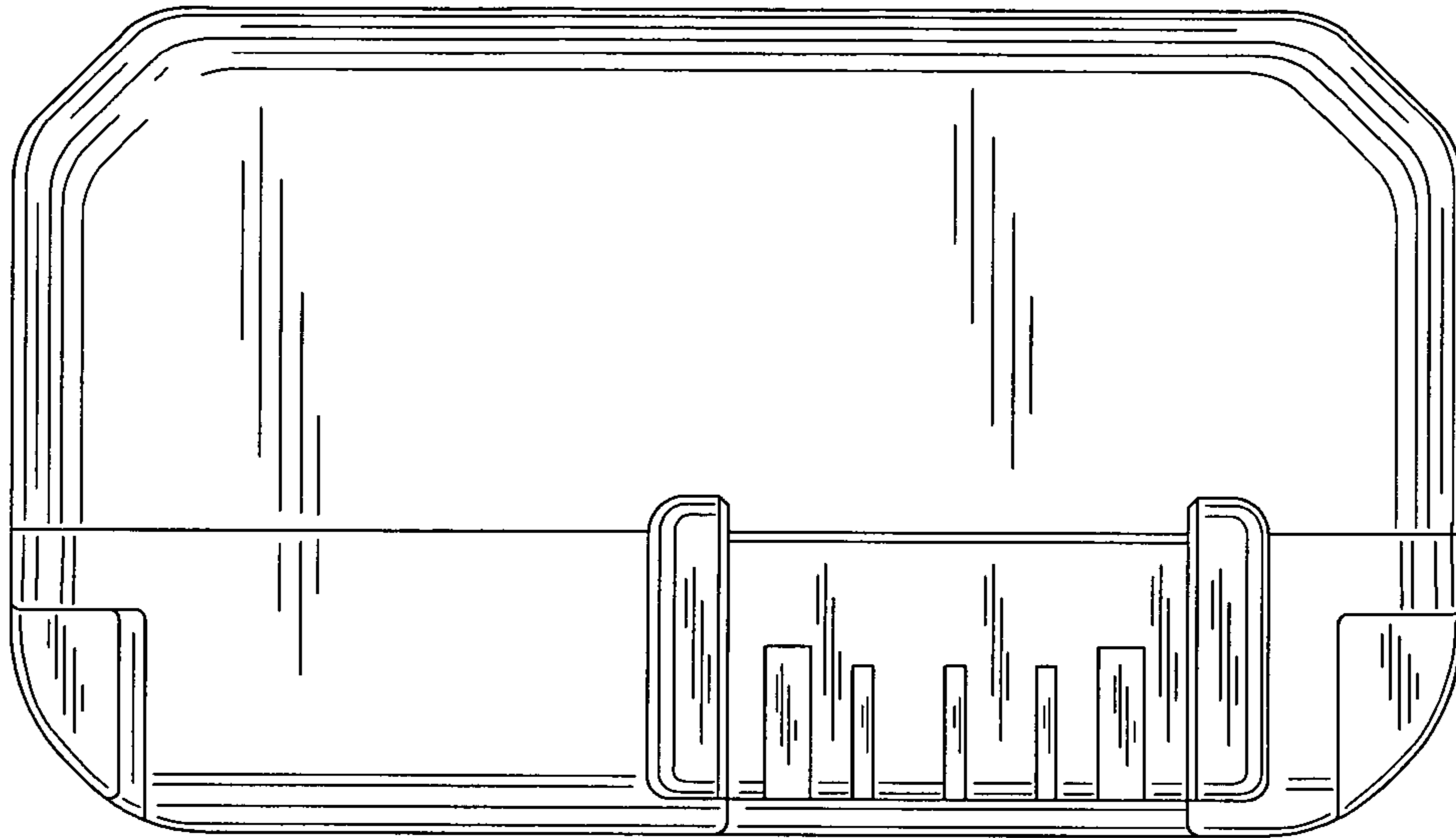
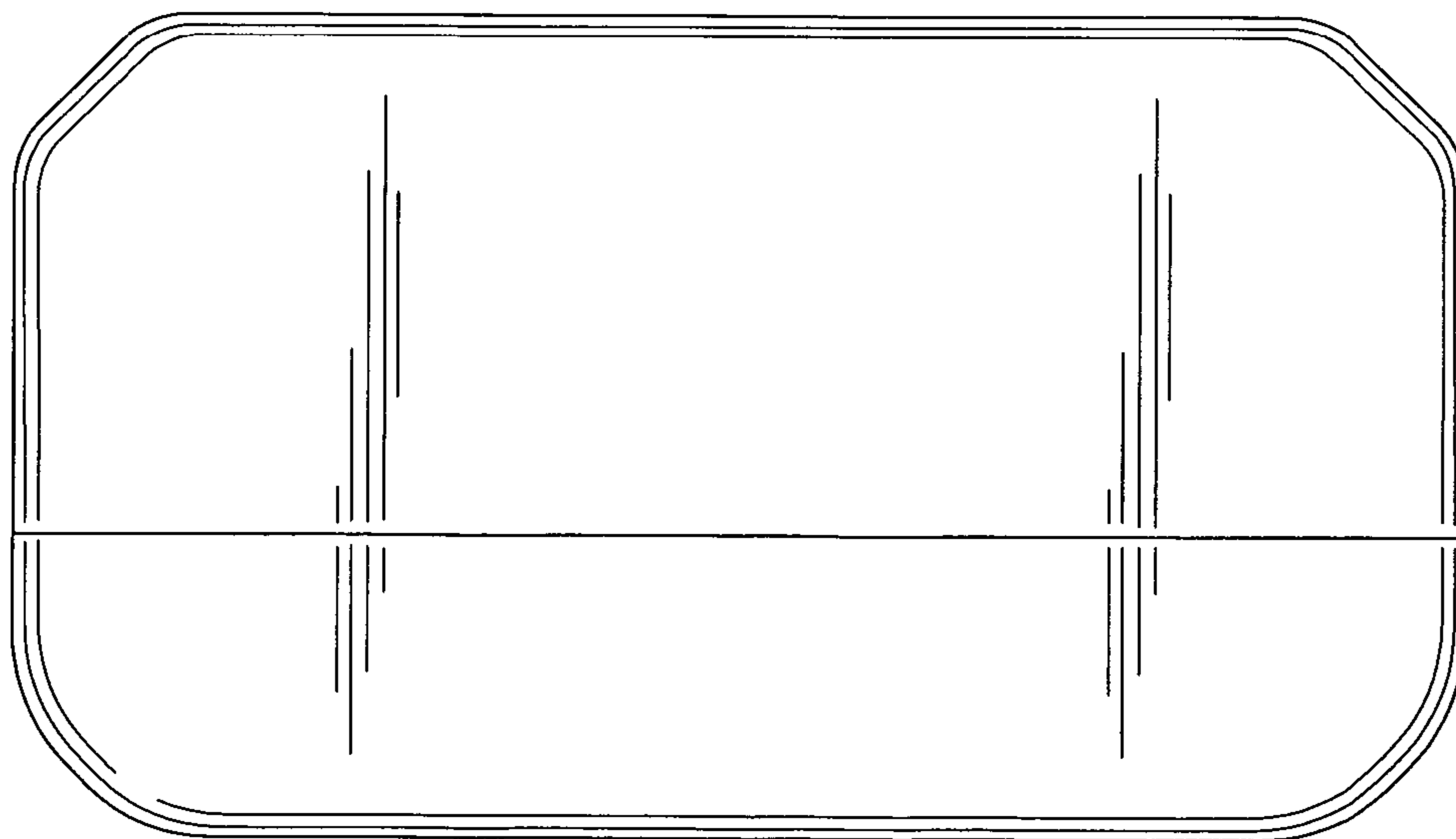


FIG.76



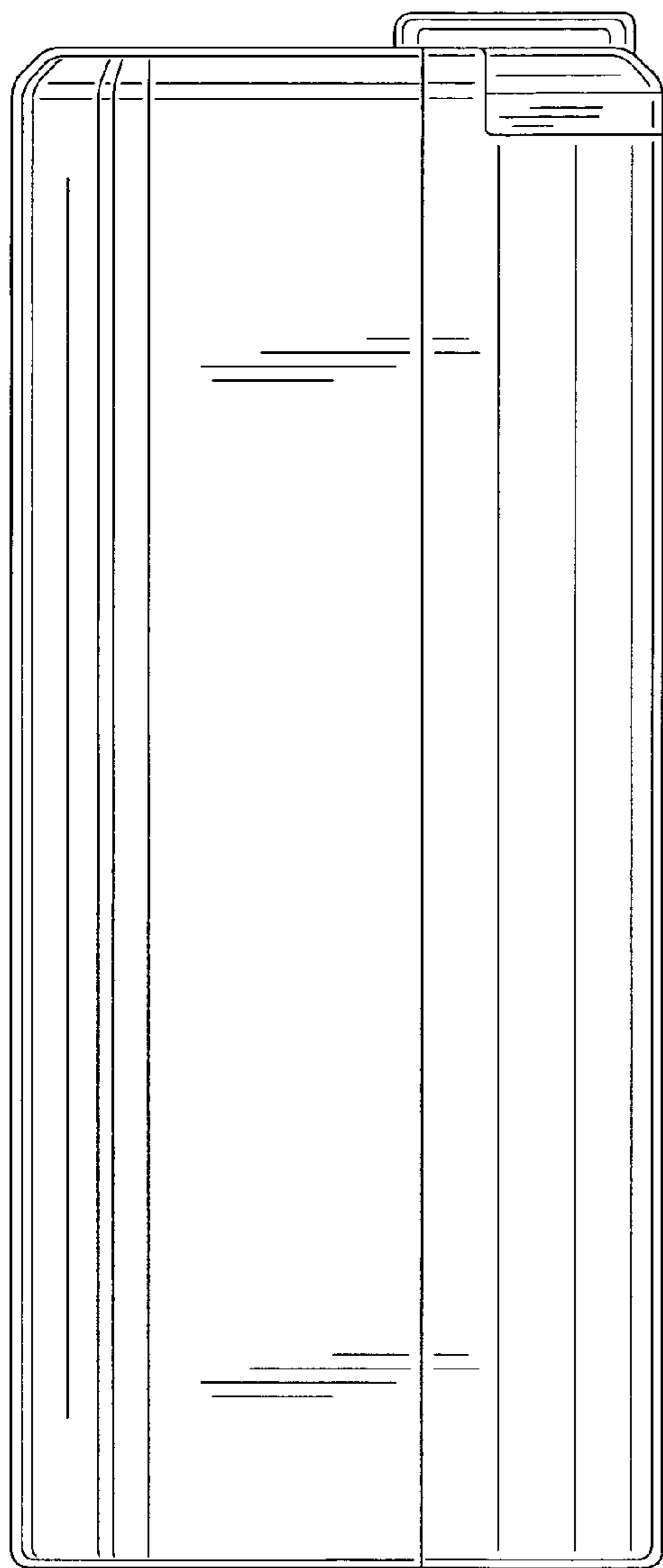


FIG. 77

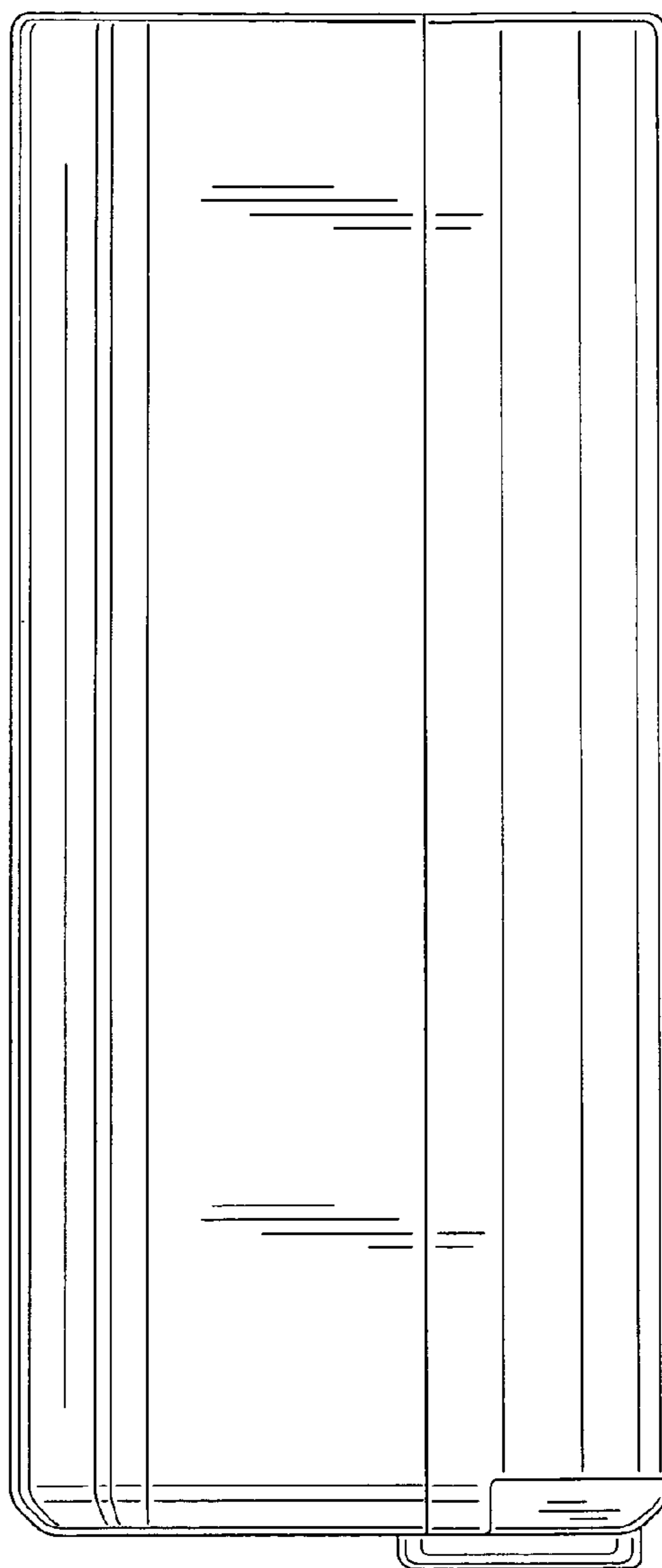


FIG. 78

FIG.79

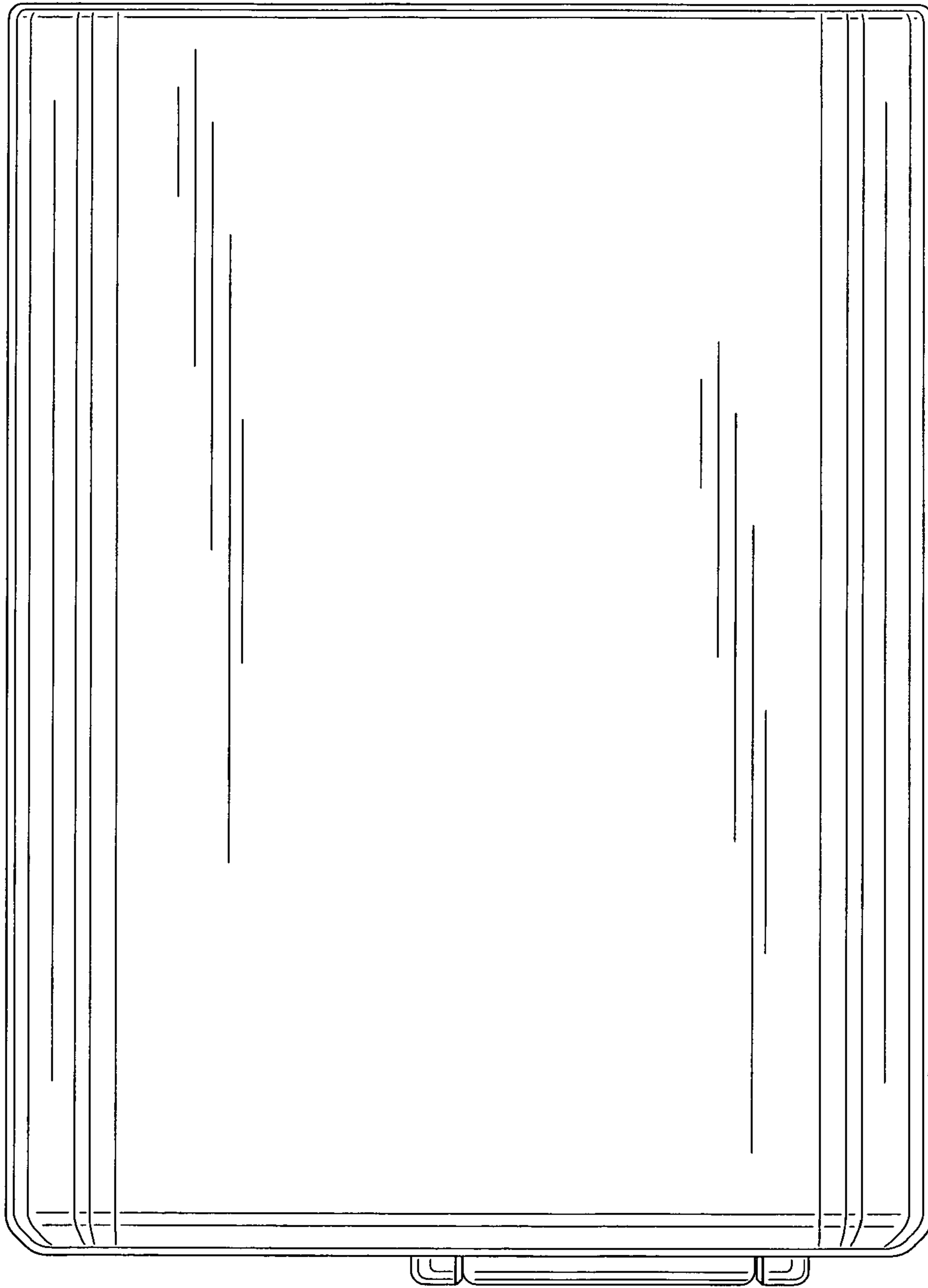


FIG.80

