

US00D665335S

(12) **United States Design Patent**
Baumard et al.

(10) **Patent No.:** **US D665,335 S**

(45) **Date of Patent:** **** Aug. 14, 2012**

- (54) **TIRE**
- (75) Inventors: **Francois Marie Baumard**, Luxembourg (LU); **Jean-Louis Marie Félicien Thomas**, Waltzing (BE); **Vincent van Goor**, Rippweiler (LU); **Denis Gilon**, Herve (BE); **François Philippe Depouhon**, Arlon (BE)
- (73) Assignee: **The Goodyear Tire & Rubber Company**, Akron, OH (US)

D551,156 S	9/2007	Shinohara et al.	D12/521
D558,126 S	12/2007	Shavers et al.	D12/519
D558,127 S	12/2007	Shavers et al.	D12/519
D558,128 S	12/2007	Delu et al.	D12/521
D559,168 S	1/2008	Murata	D12/523
D559,767 S	1/2008	Graas et al.	D12/521
D560,595 S	1/2008	Bindner et al.	D12/521
D577,655 S	9/2008	Heinen	D12/521
D584,213 S	1/2009	Shinkai	D12/519
D586,723 S *	2/2009	Heinen et al.	D12/517
D586,726 S	2/2009	Baumard et al.	D12/521
D586,734 S	2/2009	Bindner et al.	D12/590

(Continued)

(**) Term: **14 Years**

(21) Appl. No.: **29/400,770**

(22) Filed: **Sep. 1, 2011**

(51) **LOC (9) Cl.** **12-15**

(52) **U.S. Cl.** **D12/517**

(58) **Field of Classification Search** D12/505-532,
D12/900-901; 152/209.1-209.9, 209.11-209.19,
152/209.21-209.28, 455

See application file for complete search history.

(56) **References Cited**

U.S. PATENT DOCUMENTS

D334,360 S	3/1993	Graas et al.	D12/146
D368,684 S *	4/1996	Scarpitti et al.	D12/517
D382,517 S *	8/1997	Scarpitti et al.	D12/517
D396,676 S	8/1998	Croyle	D12/147
D423,422 S	4/2000	Seloover et al.	D12/146
D432,956 S	10/2000	Ricquet	D12/141
D451,440 S	12/2001	Weber	D12/146
D451,441 S	12/2001	Weber	D12/146
D453,729 S	2/2002	Demagall et al.	D12/523
D470,101 S	2/2003	Heinen	D12/584
D482,323 S	11/2003	Corbin et al.	D12/584
D483,003 S *	12/2003	Shirouzo	D12/517
D490,045 S	5/2004	Delu et al.	D12/519
D502,441 S	3/2005	Lo	D12/521
D512,013 S	11/2005	Delu et al.	D12/521
D513,400 S	1/2006	Sakaguchi et al.	D12/523
D524,232 S	7/2006	Heinen et al.	D12/521
D525,186 S	7/2006	Martin	D12/521

Primary Examiner — Stacia Cadmus

(74) *Attorney, Agent, or Firm* — Richard B. O'Planick

(57) **CLAIM**

The ornamental design for a tire, as shown and described.

DESCRIPTION

FIG. 1 is a perspective view of a tire showing our new design, it being understood that the pattern repeats uniformly throughout the circumference of the tread;

FIG. 2 is a front elevational view thereof;

FIG. 3 is a right side elevational view thereof;

FIG. 4 is a left side elevational view thereof;

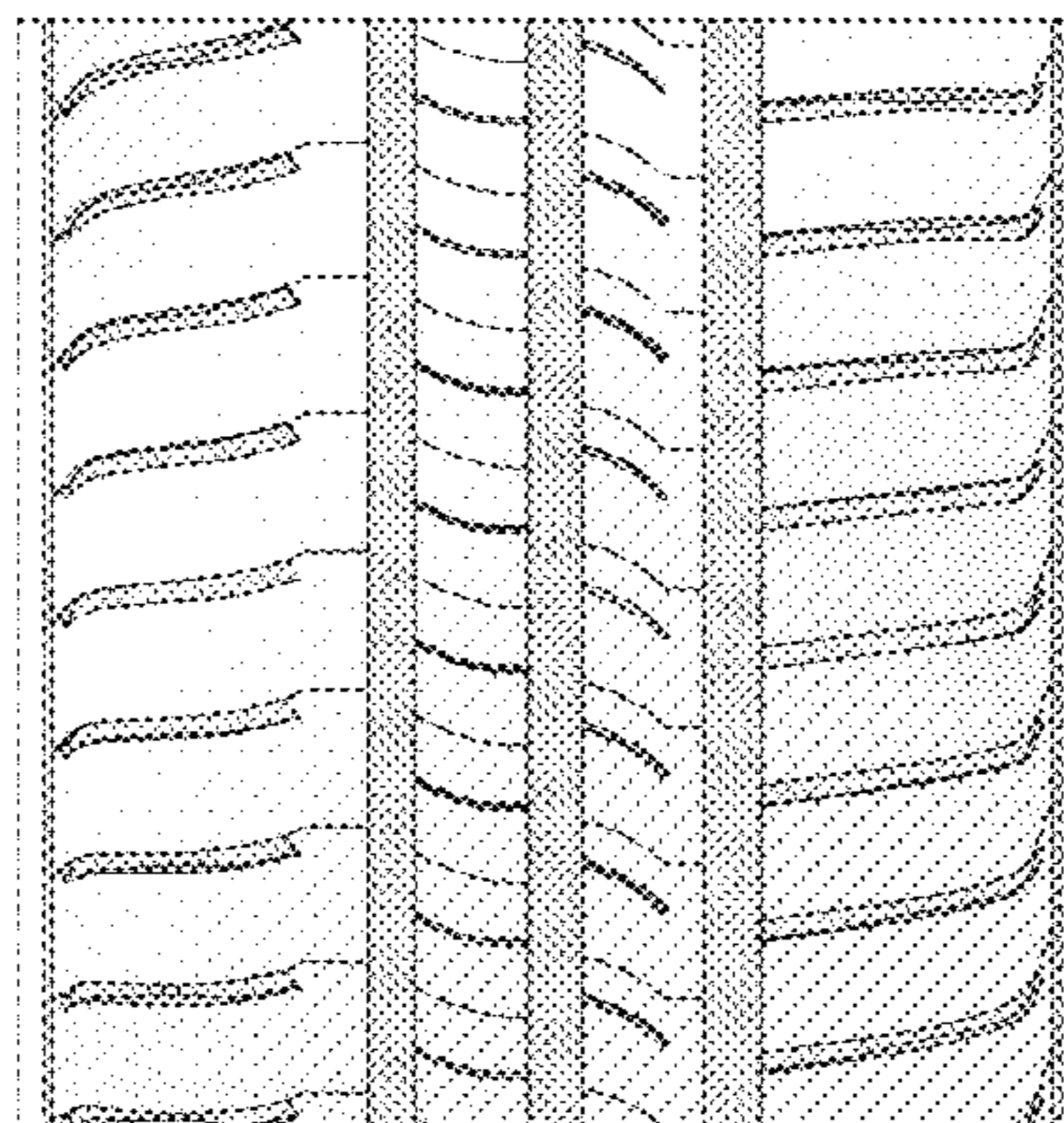
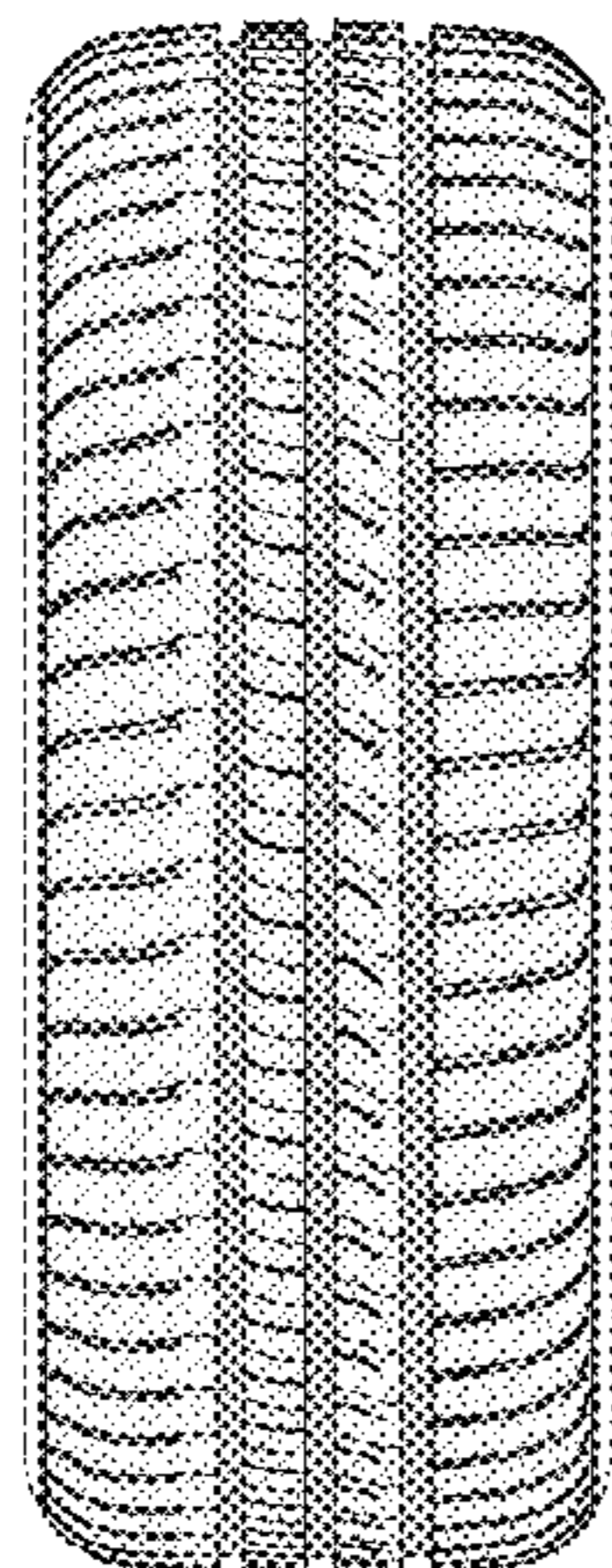
FIG. 5 is an enlarged fragmentary front elevational view thereof;

FIG. 6 is a perspective view of a second embodiment of a tire showing our new design, it being understood that the pattern repeats uniformly throughout the circumference of the tread; and,

FIG. 7 is a front elevational view of a second embodiment, it being understood that an enlarged fragmentary view thereof would be substantially identical to that shown in FIG. 5, with the exception of the inclusion of the sidewall in solid lines.

In the drawings, the broken lines showing of the sidewall, inner bead and the peripheral boundary between the tire tread and the sidewall in FIGS. 1 through 5 depict environmental subject matter and form no part of the claimed design.

1 Claim, 7 Drawing Sheets



US D665,335 S

Page 2

U.S. PATENT DOCUMENTS

D599,276 S	9/2009	Fontaine et al.	D12/519	D628,951 S *	12/2010	Frappart et al.	D12/515
D600,193 S	9/2009	Nukala et al.	D12/521	D635,911 S	4/2011	Sieber et al.	D12/521
D601,939 S	10/2009	Fontaine et al.	D12/519	D651,159 S *	12/2011	Scharis et al.	D12/517
D609,161 S	2/2010	Fontaine et al.	D12/517	D654,425 S *	2/2012	Nomura et al.	D12/517

* cited by examiner

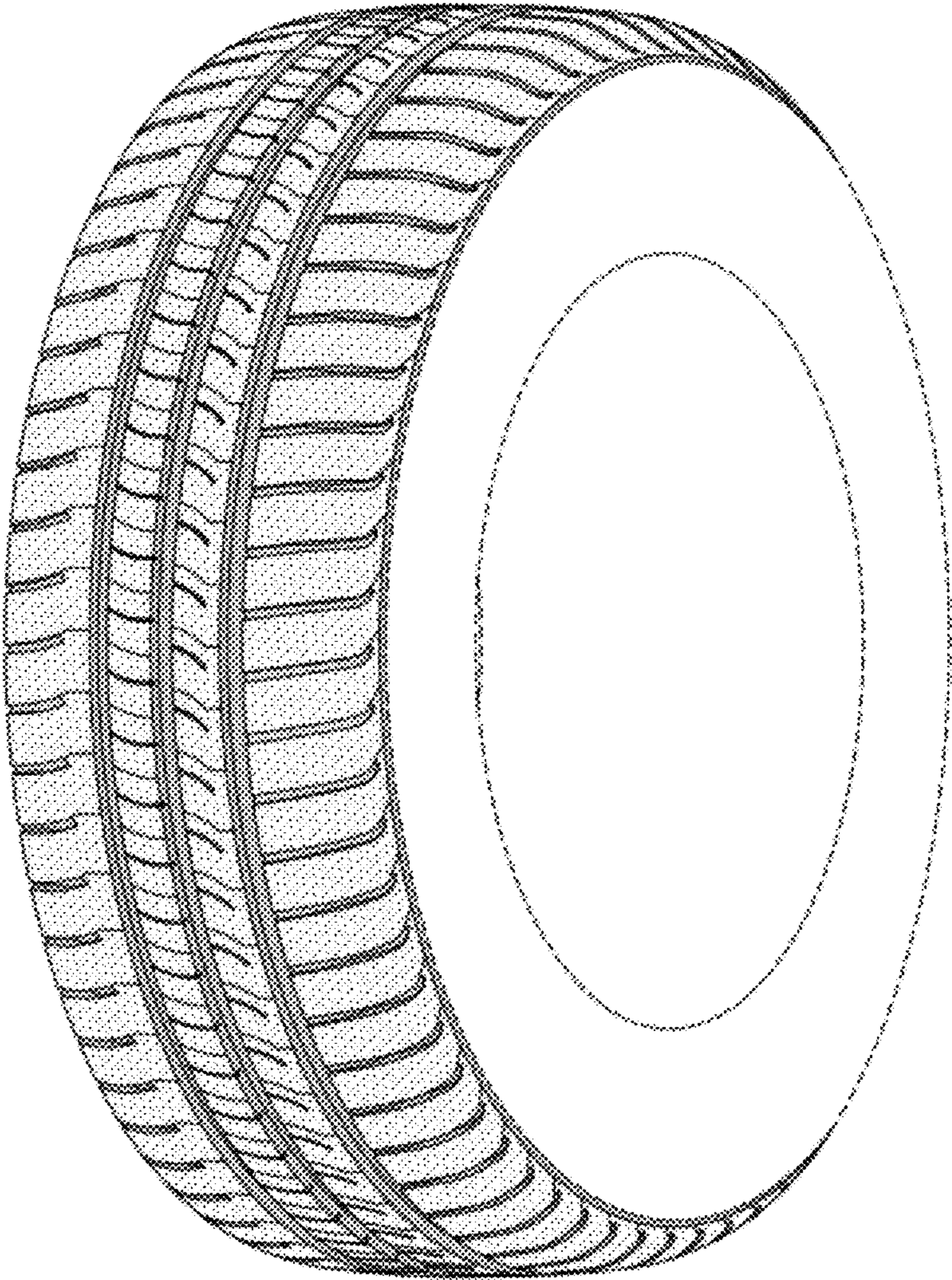


FIG-1

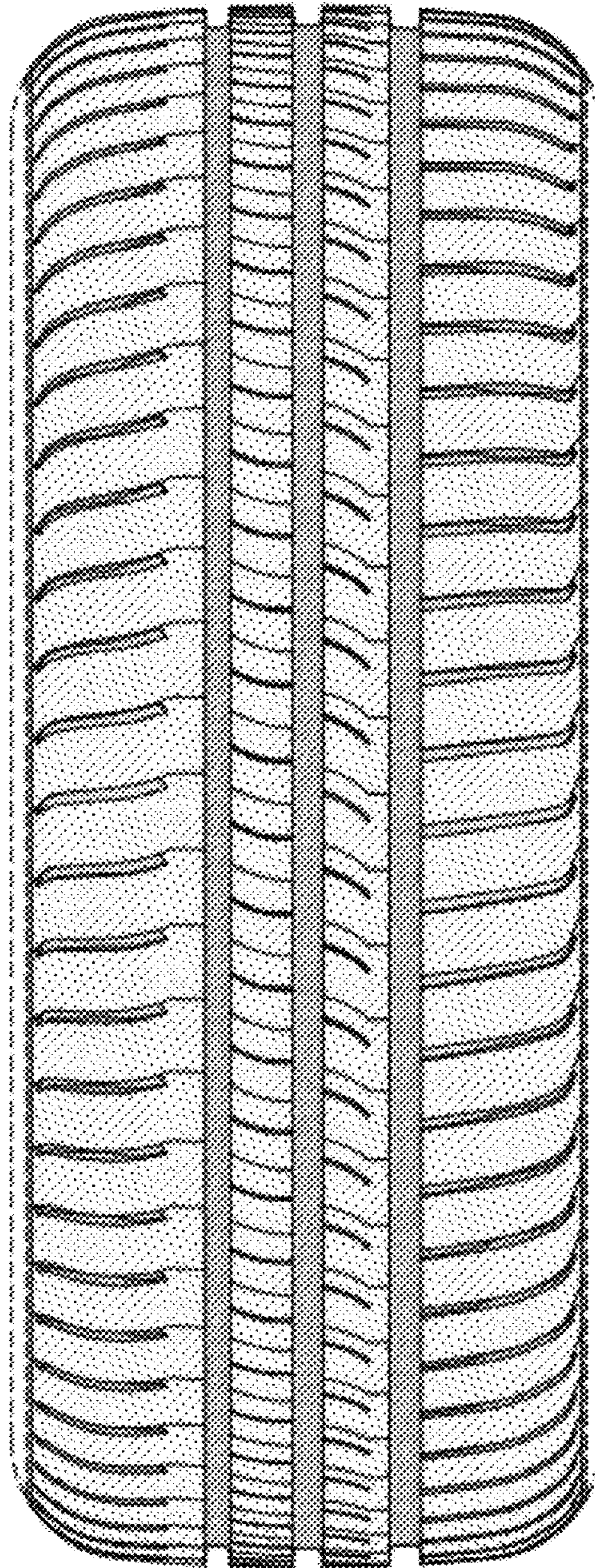


FIG-2

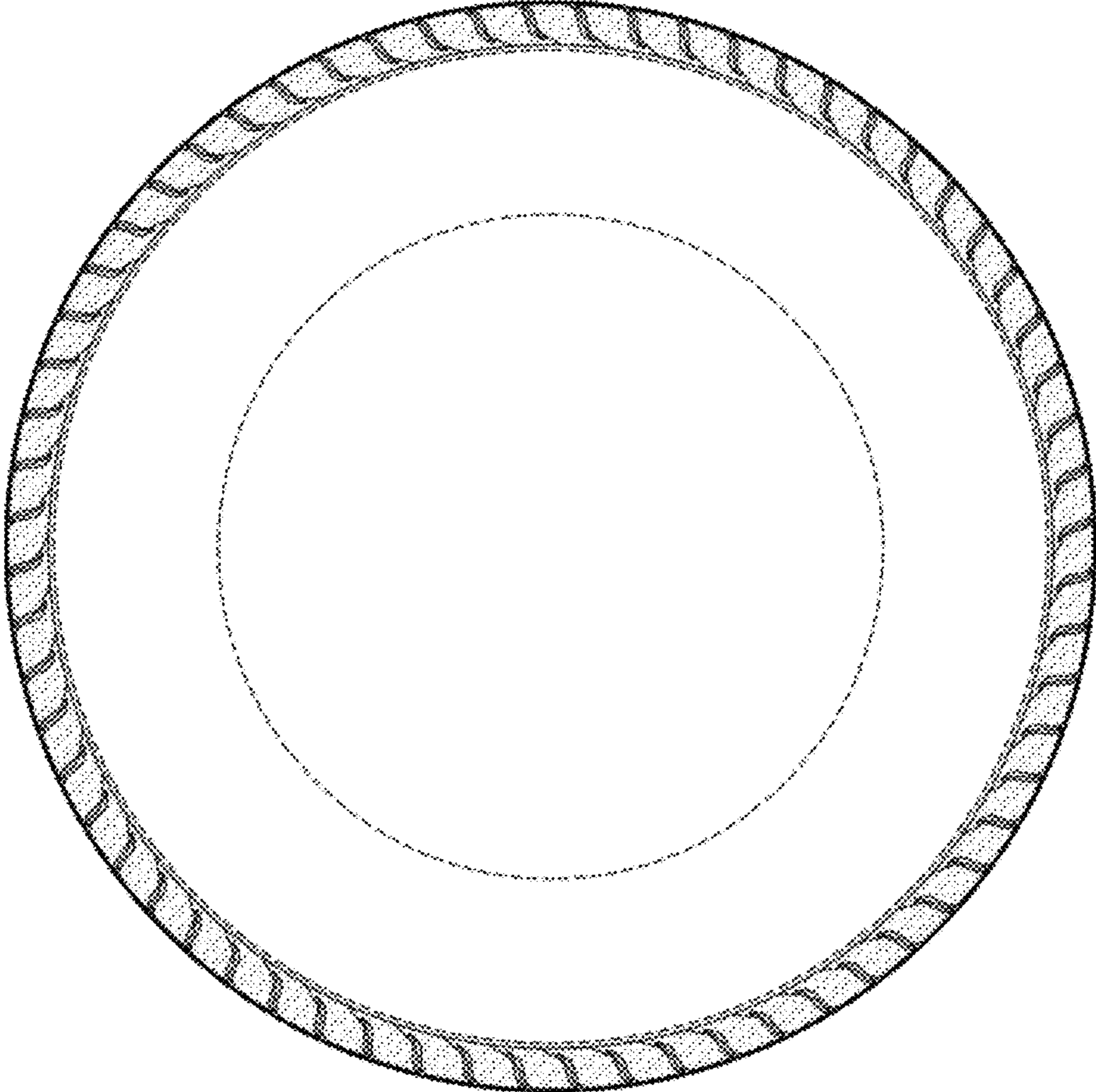


FIG-3

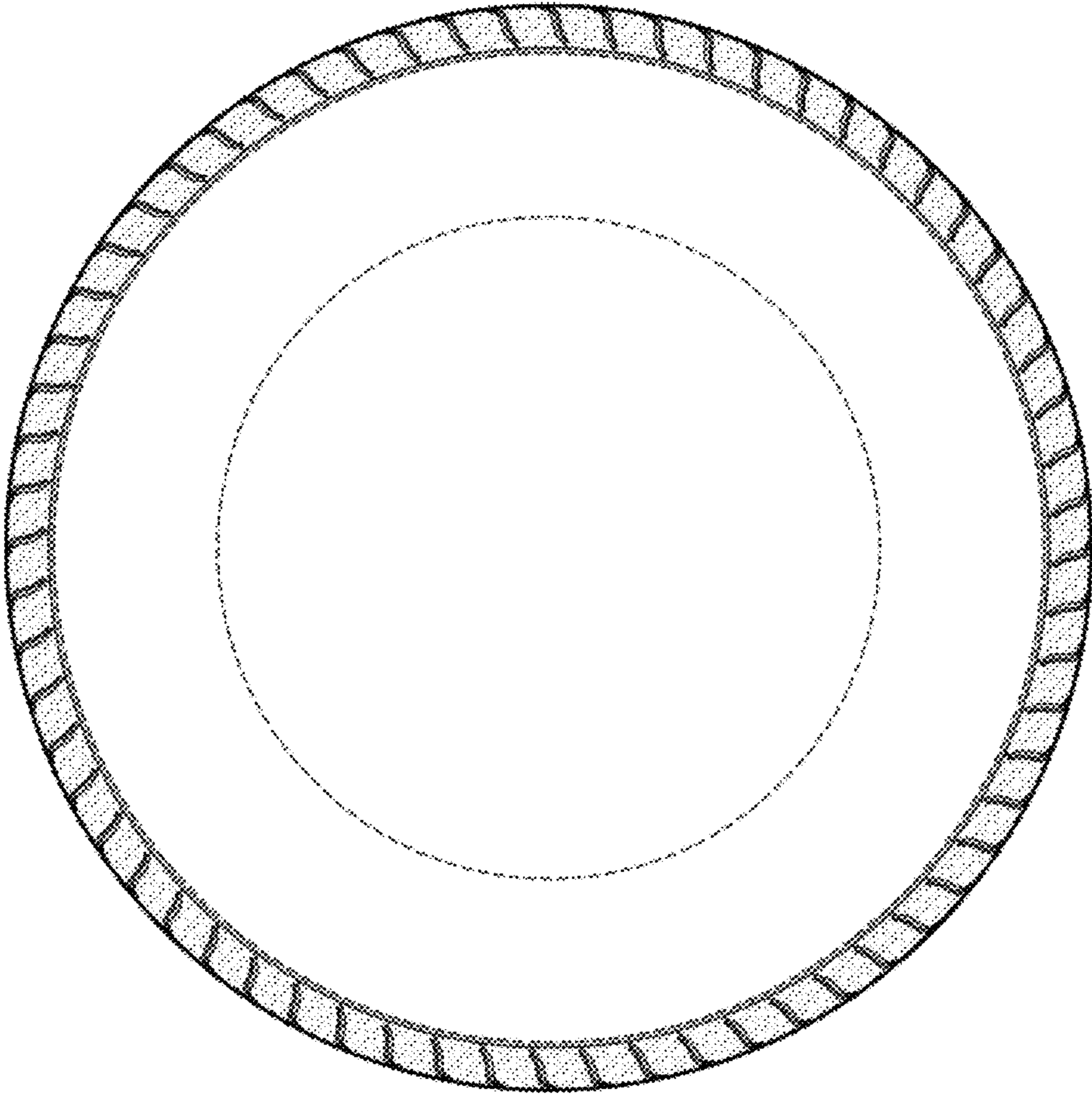


FIG-4

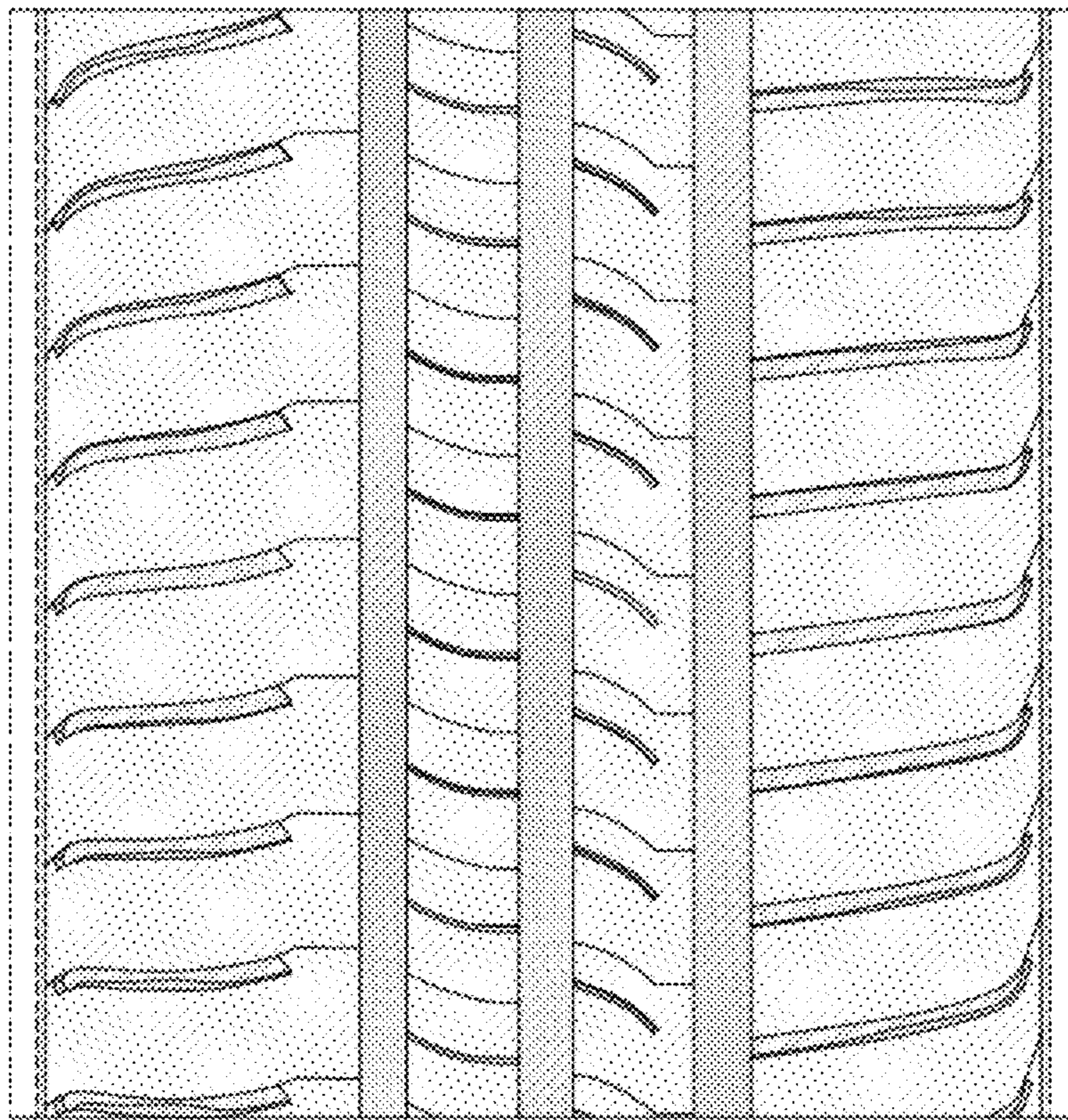


FIG-5

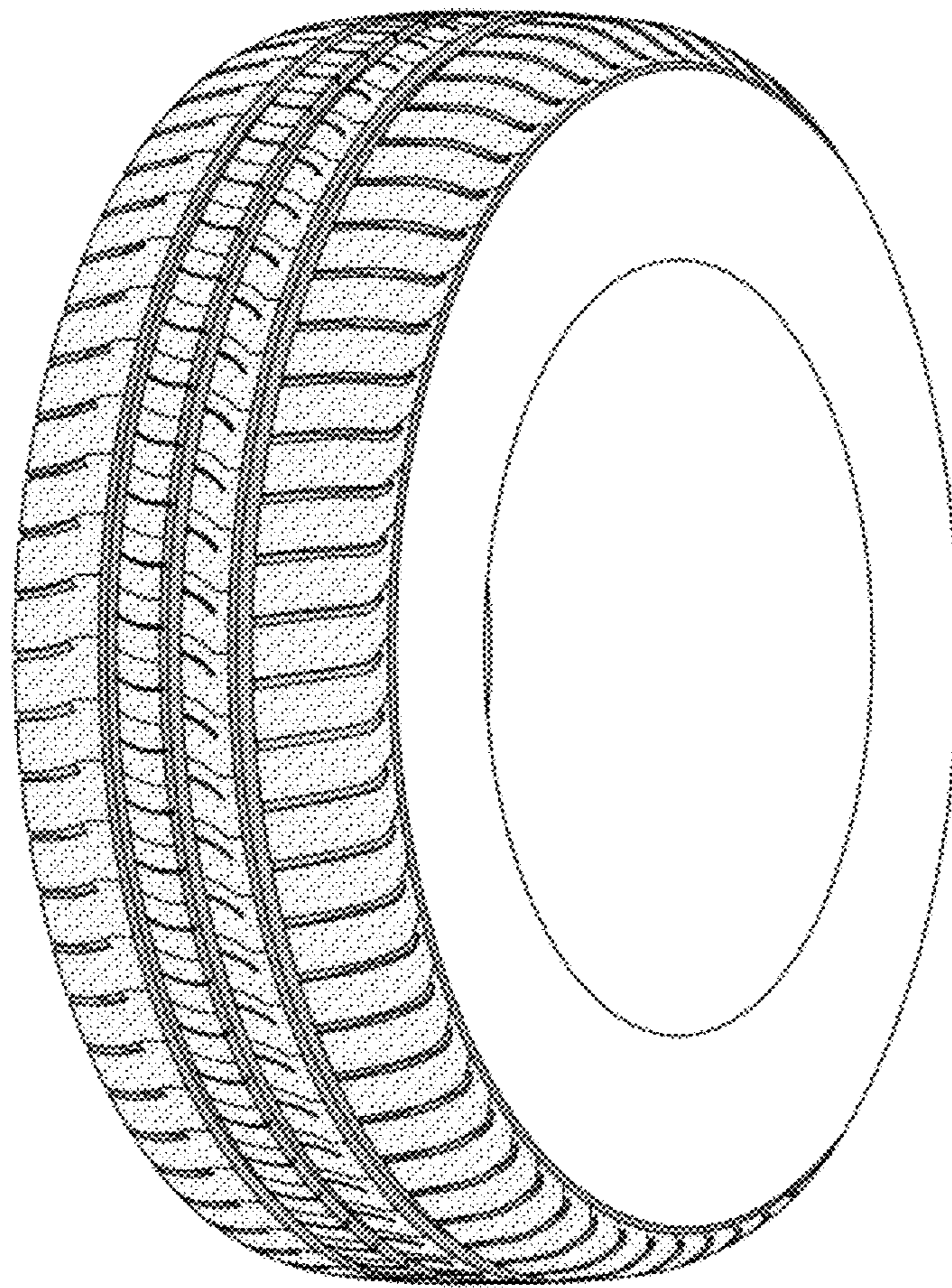


FIG-6

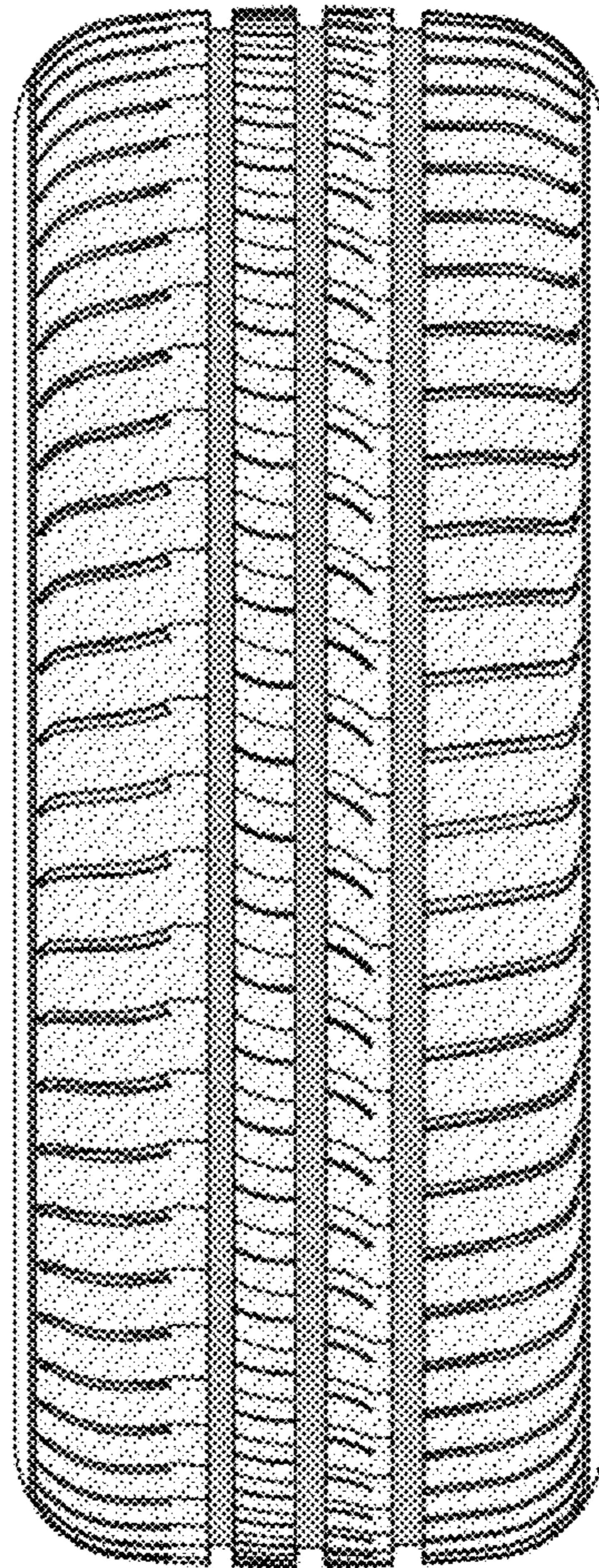


FIG-7