



US00D665333S

(12) **United States Design Patent**
Oliver

(10) **Patent No.:** **US D665,333 S**

(45) **Date of Patent:** **** Aug. 14, 2012**

(54) **VTOL AIRCRAFT**

(76) **Inventor:** **Garreau Oliver**, Mountain View, CA
(US)

(**) **Term:** **14 Years**

(21) **Appl. No.:** **29/399,639**

(22) **Filed:** **Aug. 16, 2011**

(51) **LOC (9) Cl.** **12-07**

(52) **U.S. Cl.** **D12/326; D12/330**

(58) **Field of Classification Search** D12/327,
D12/326, 328, 329, 330, 319; 244/17.11,
244/17.19, 17.23, 17.25, 12.1, 12.3; 74/522;
416/114; D23/377; D21/827, 583, 558,
D21/453, 442

See application file for complete search history.

(56) **References Cited**

U.S. PATENT DOCUMENTS

D183,349 S *	8/1958	Johnson	D12/330
D190,534 S *	6/1961	Smolinski	D12/330
D192,583 S *	4/1962	Walker et al.	D12/330
D204,108 S *	3/1966	Peterson	D12/330
3,335,977 A *	8/1967	Meditz	244/12.4
D231,976 S *	7/1974	Torelli	D12/330
D274,511 S *	7/1984	Clifton	D12/330
D274,512 S *	7/1984	Clifton	D12/330

4,469,294 A *	9/1984	Clifton	244/12.3
D293,803 S *	1/1988	Doi	D21/582
4,828,203 A *	5/1989	Clifton et al.	244/12.3
D302,676 S *	8/1989	Clifton	D12/326
D454,109 S *	3/2002	Moshier	D12/319
6,561,456 B1 *	5/2003	Devine	244/12.1
D493,411 S *	7/2004	Fong	D12/319
6,843,447 B2 *	1/2005	Morgan	244/12.3
D543,928 S *	6/2007	Sanders et al.	D12/319

* cited by examiner

Primary Examiner — Austin Murphy

(74) *Attorney, Agent, or Firm* — Richard B. Cates

(57) **CLAIM**

I claim the ornamental design for a VTOL aircraft, as shown and described.

DESCRIPTION

FIG. 1 is a perspective view of a VTOL aircraft incorporating my new design;

FIG. 2 is a left side view of the VTOL aircraft;

FIG. 3 is a right side view of the VTOL aircraft;

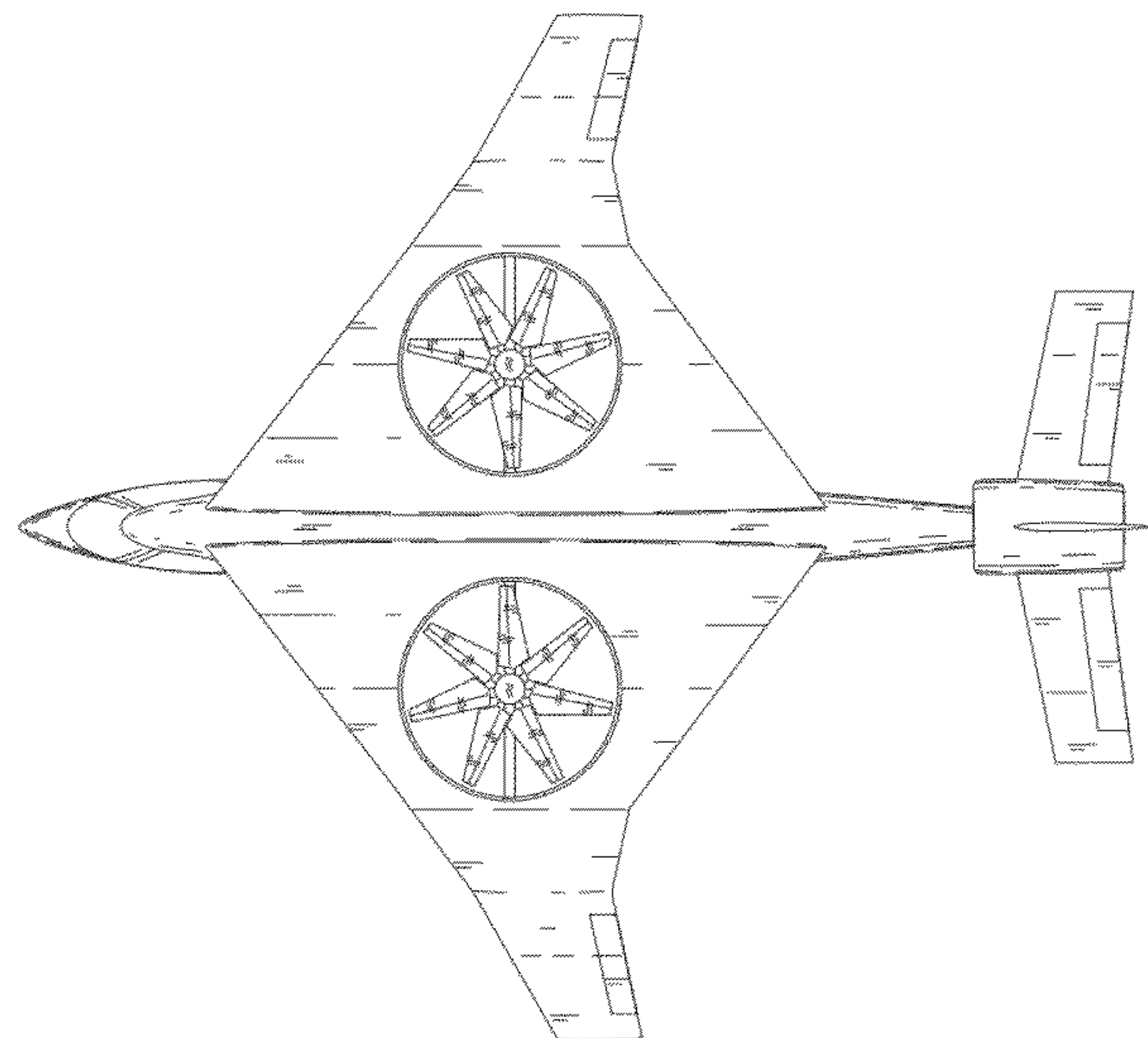
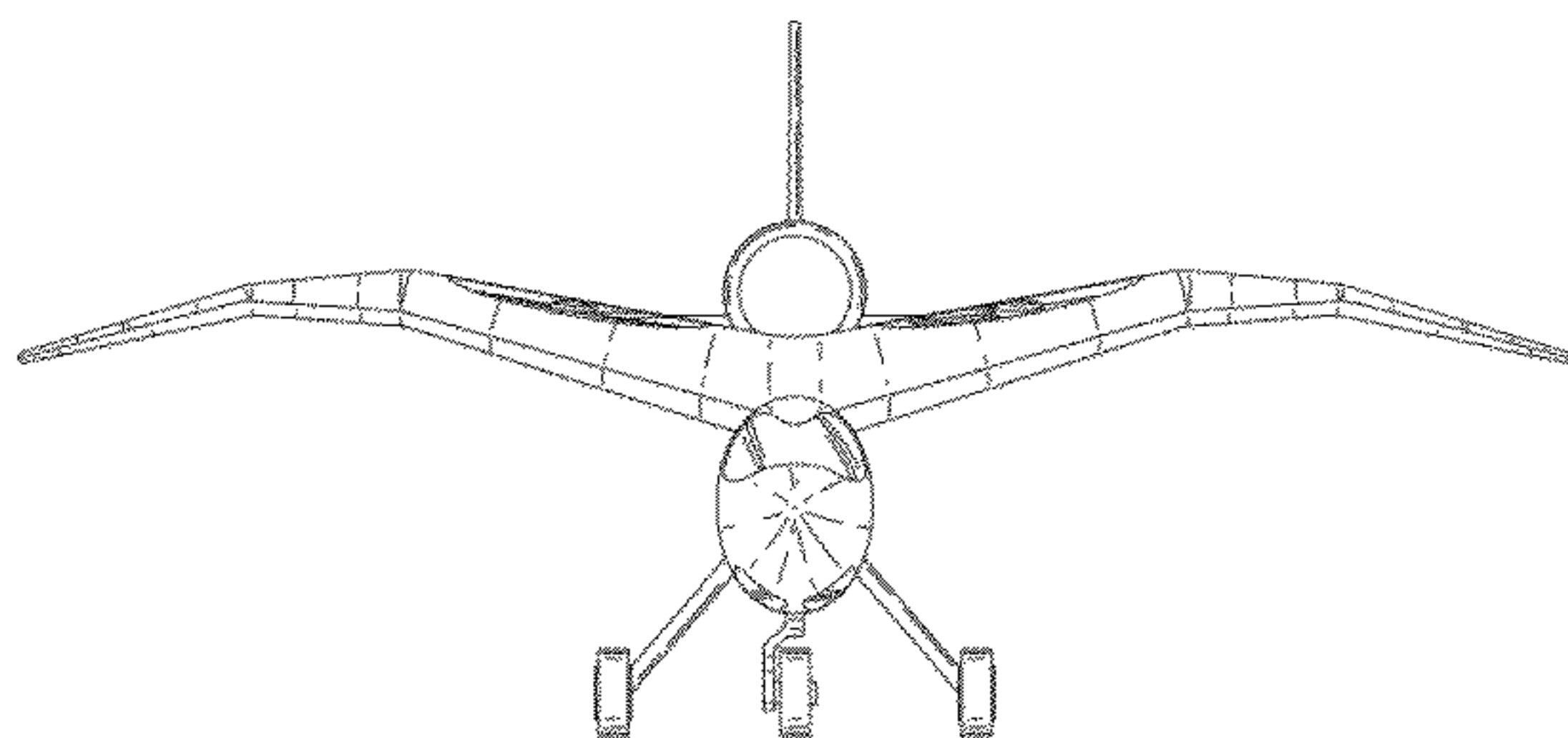
FIG. 4 is a front view of the VTOL aircraft;

FIG. 5 is a back view of the VTOL aircraft;

FIG. 6 is a top view of the VTOL aircraft; and,

FIG. 7 is a bottom view of the VTOL aircraft.

1 Claim, 5 Drawing Sheets



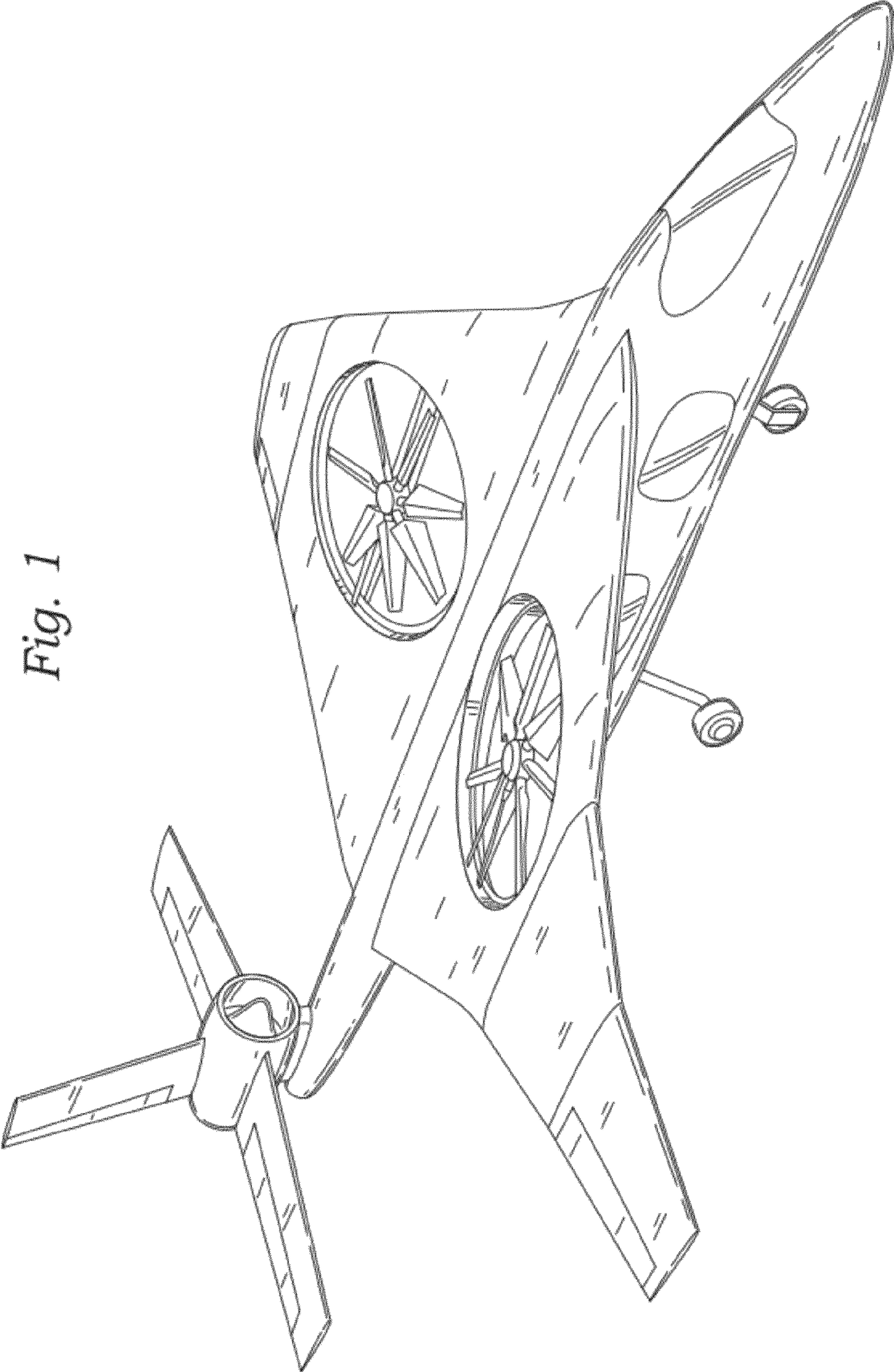


Fig. 1

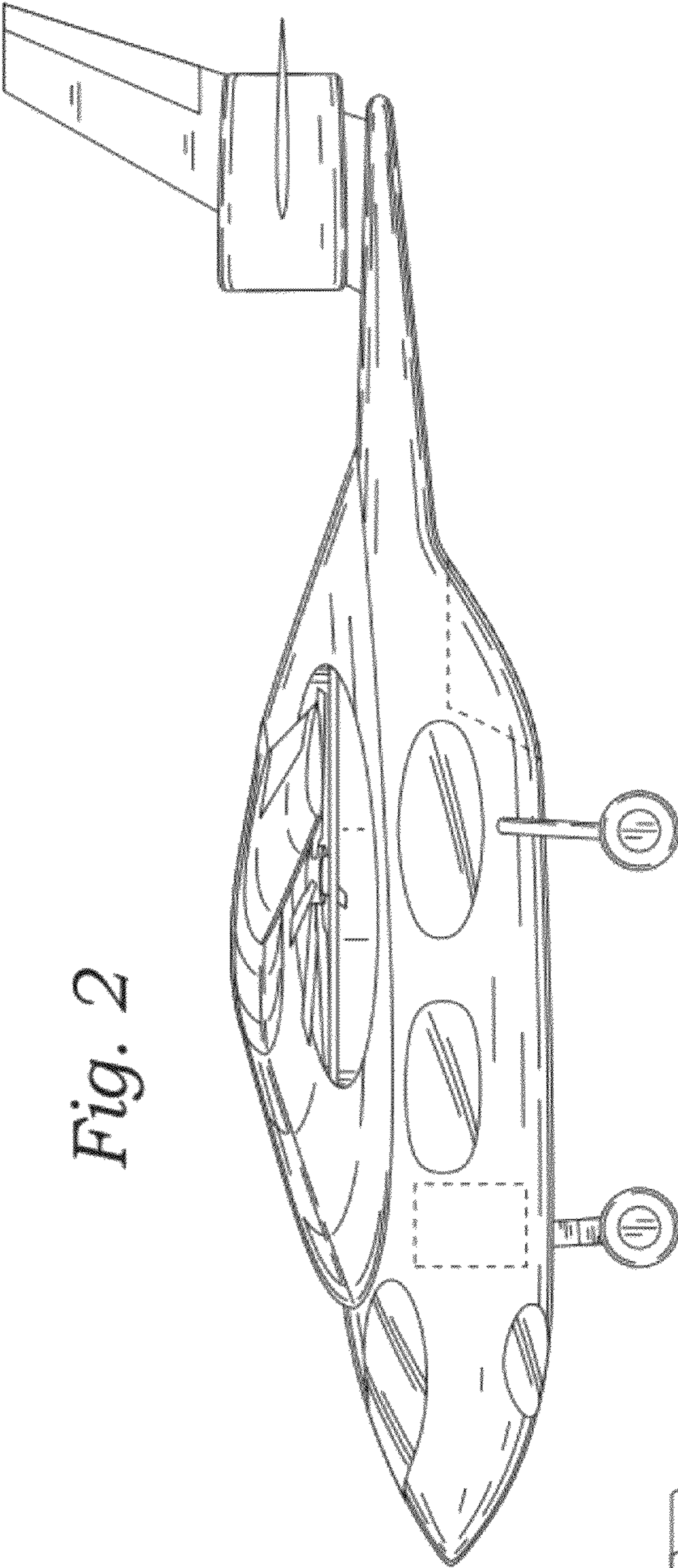


Fig. 2

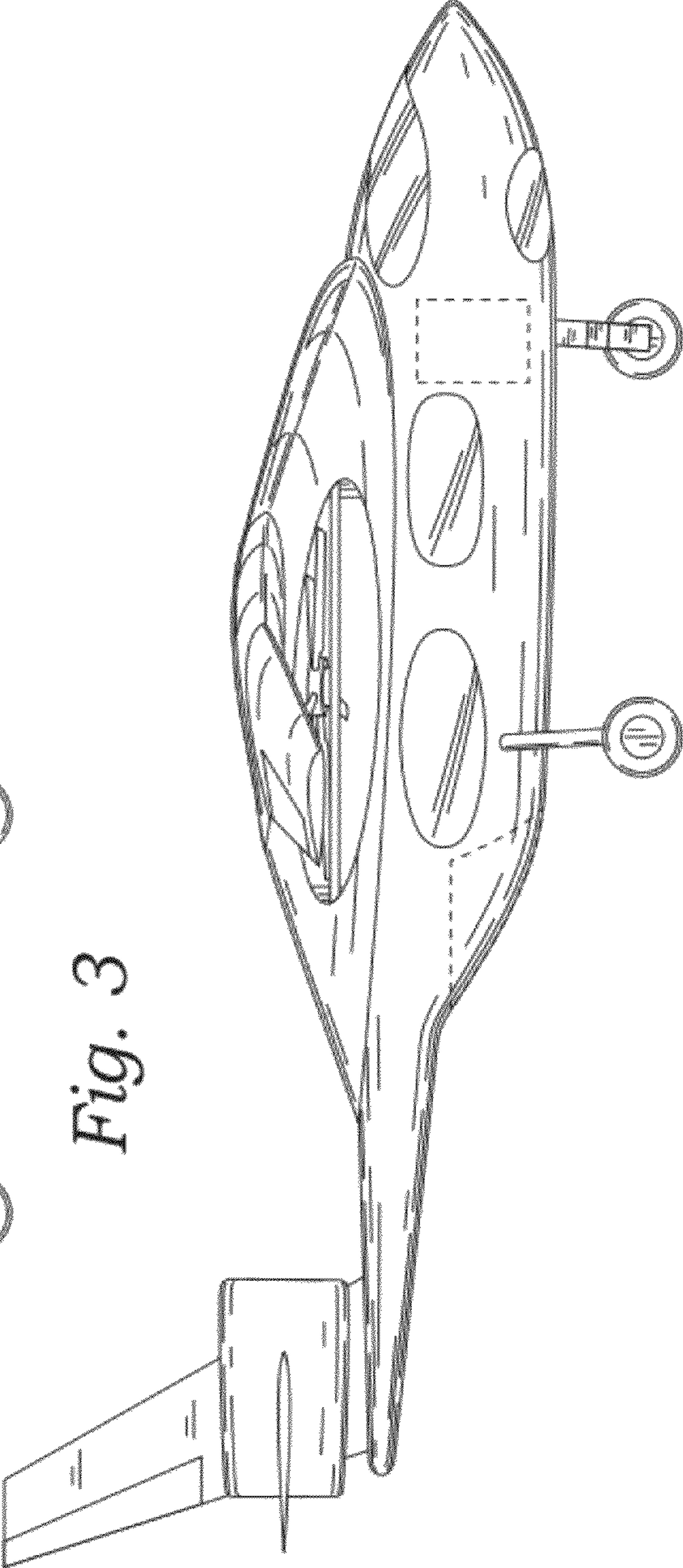


Fig. 3

Fig. 4

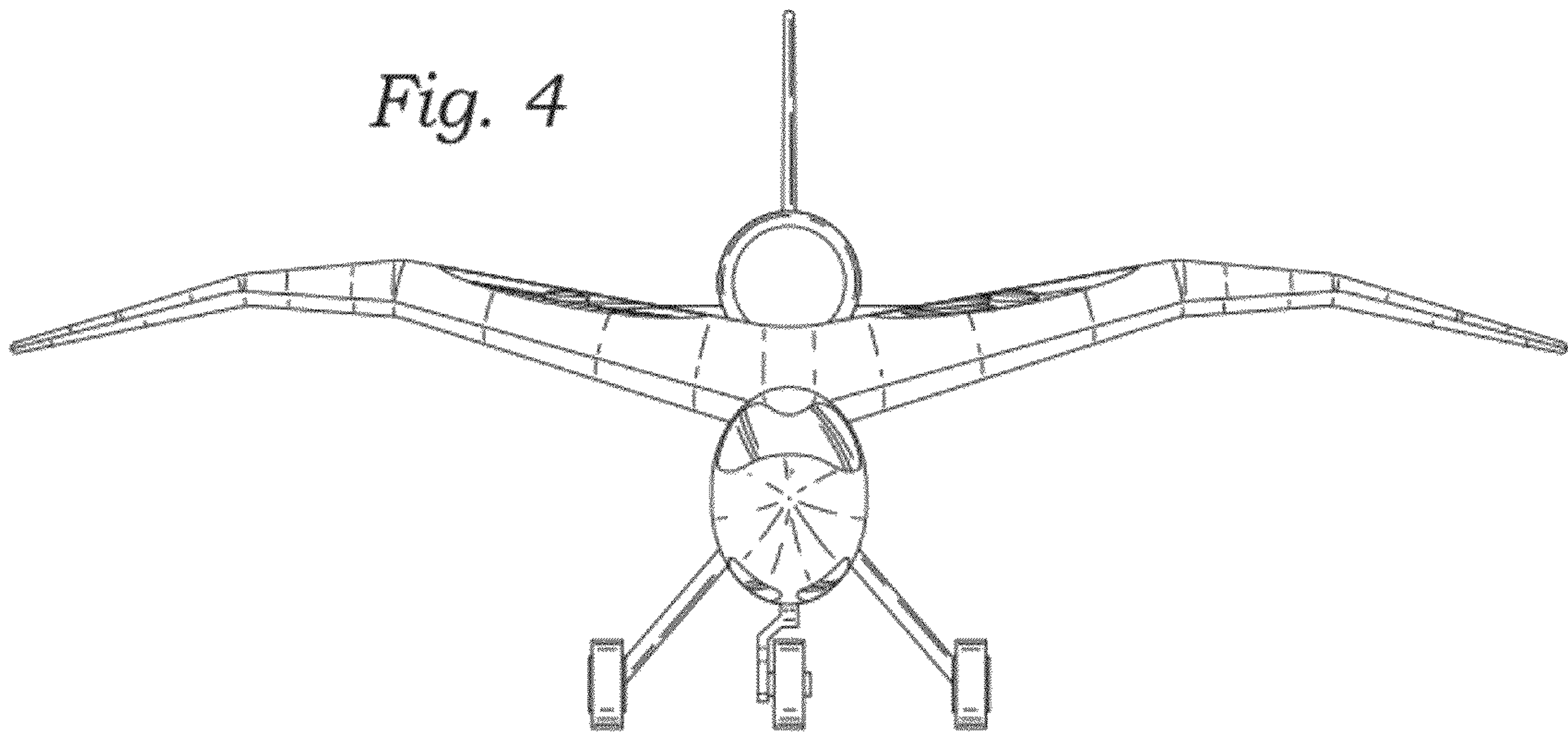
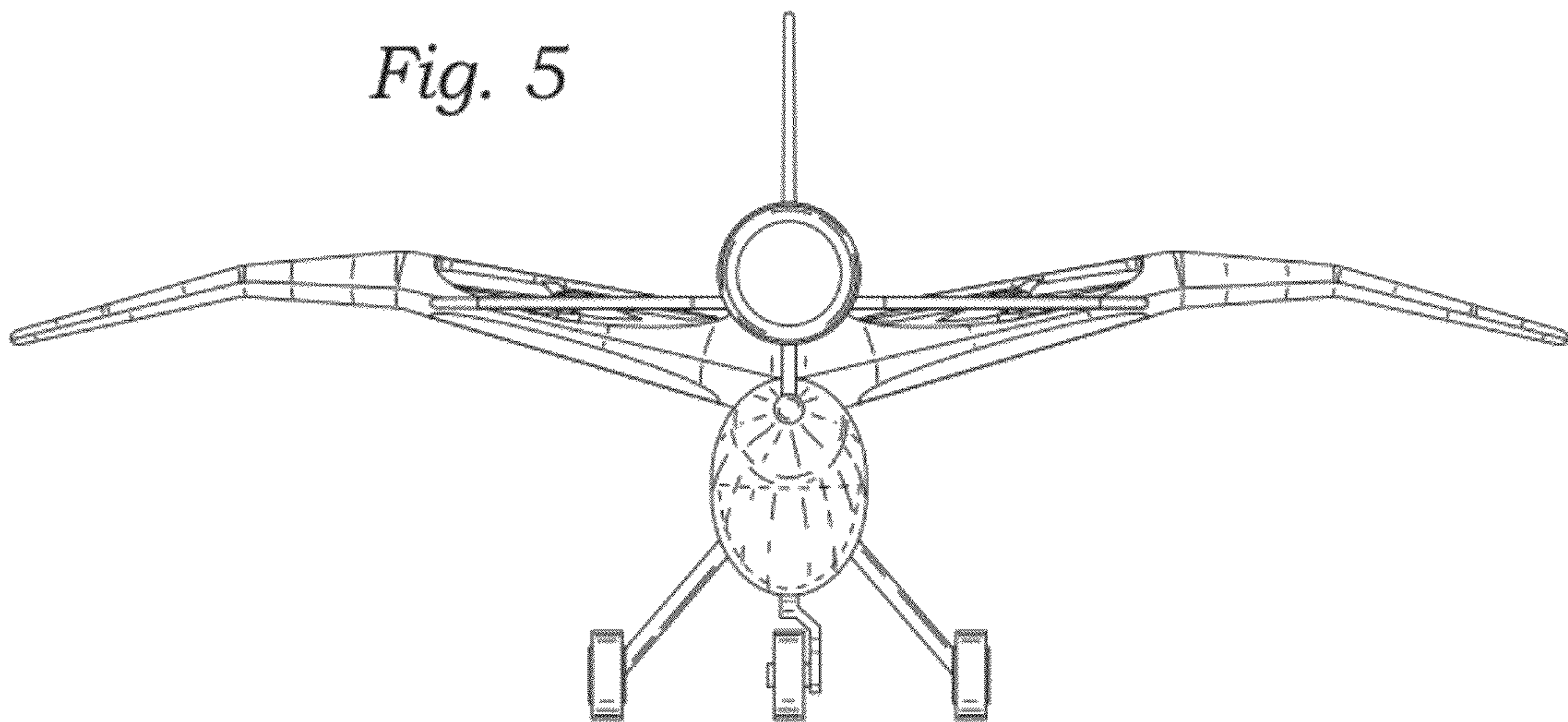


Fig. 5



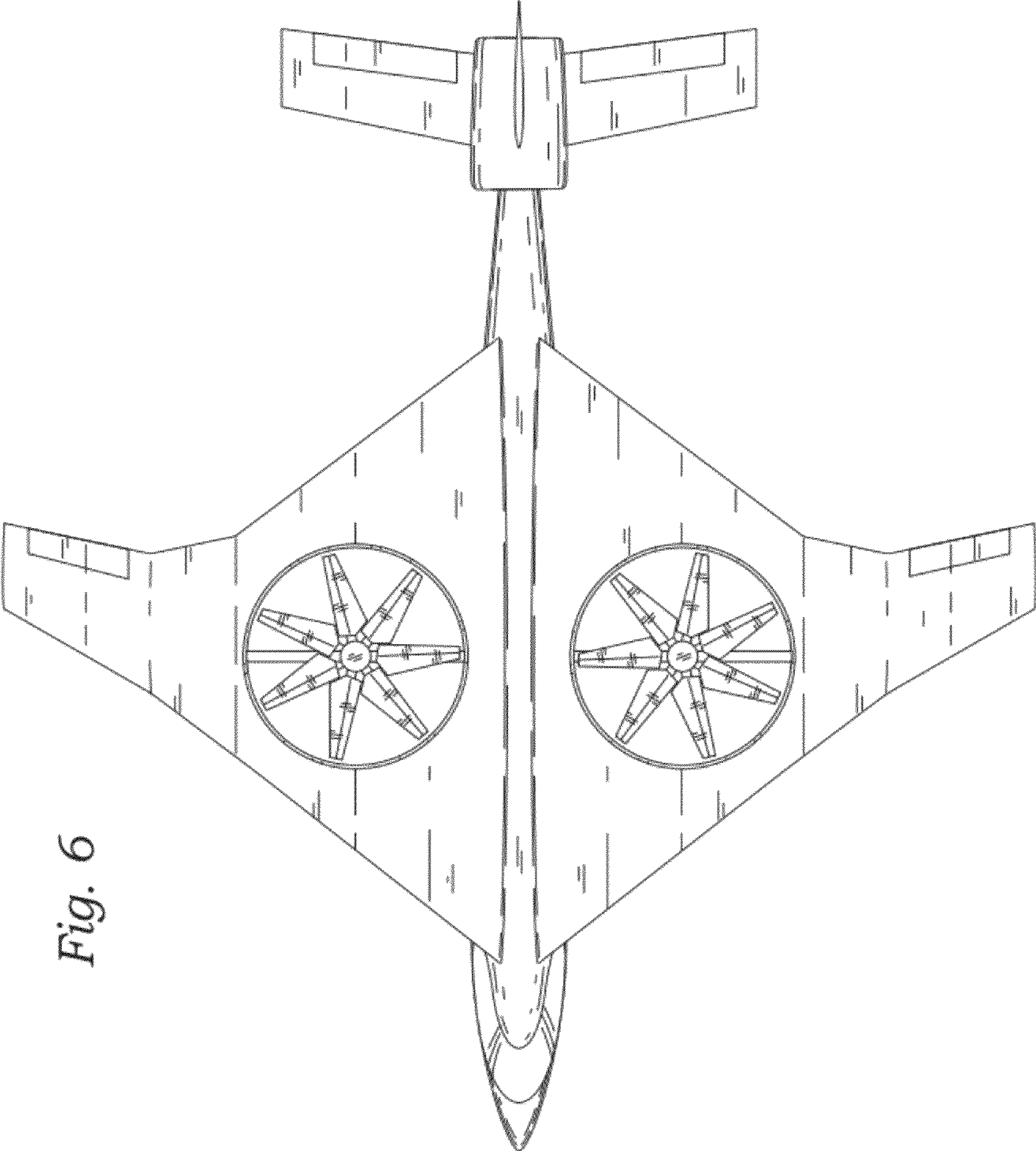


Fig. 6

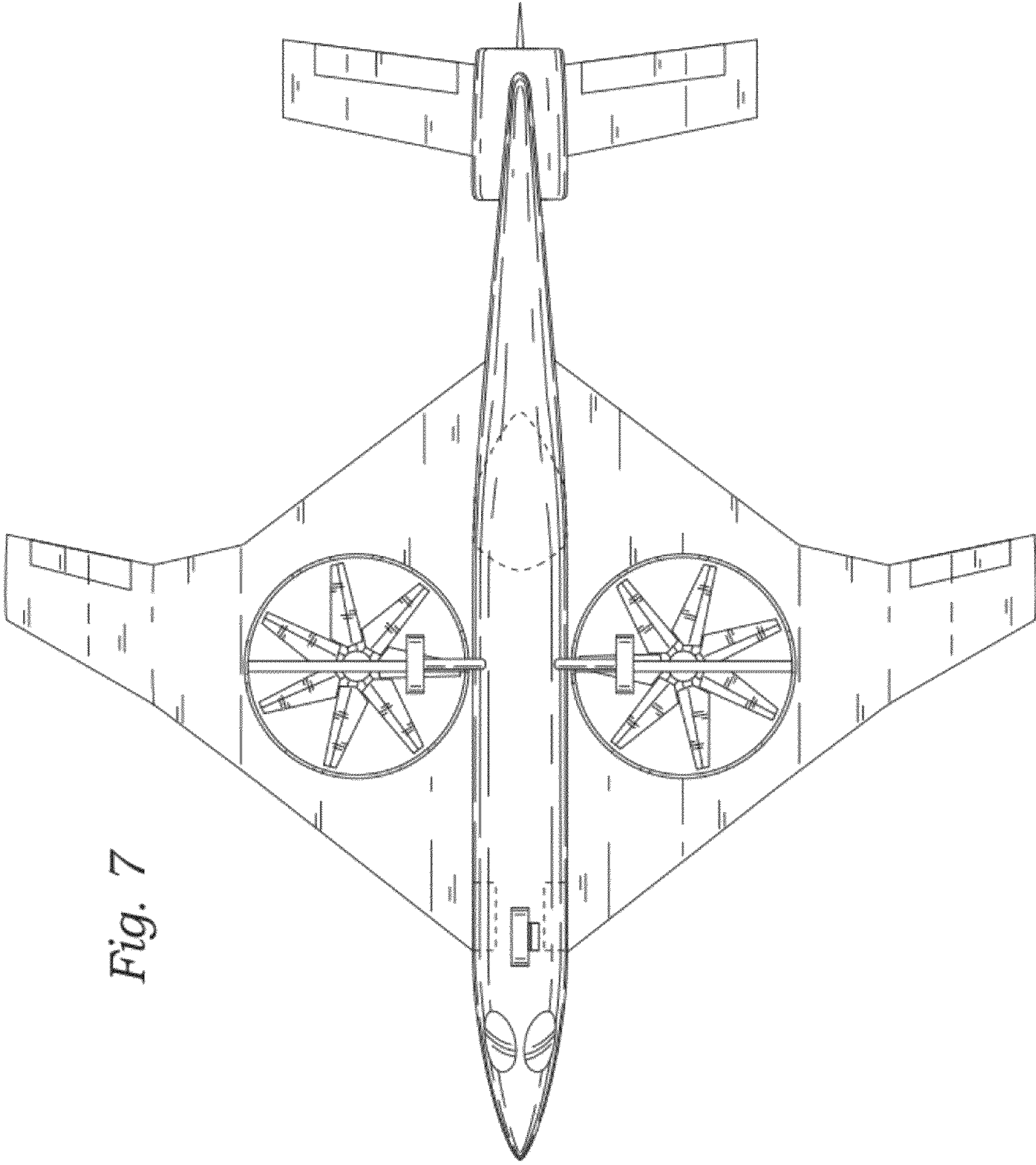


Fig. 7