

US00D665331S

(12) **United States Design Patent**  
**Sands**

(10) **Patent No.:** **US D665,331 S**

(45) **Date of Patent:** **\*\* Aug. 14, 2012**

(54) **UNMANNED AERIAL VEHICLE**  
(75) **Inventor:** **Justin Sands**, Columbia Falls, MT (US)  
(73) **Assignee:** **Unmanned Systems, Inc.**, Henderson, NV (US)  
(\*\*) **Term:** **14 Years**  
(21) **Appl. No.:** **29/406,064**

(22) **Filed:** **Nov. 9, 2011**  
(51) **LOC (9) Cl.** ..... **12-07**  
(52) **U.S. Cl.** ..... **D12/319**  
(58) **Field of Classification Search** ..... D12/327,  
D12/326, 328, 329, 330, 319, 343; 244/3.15,  
244/12.1, 12.3, 119; 367/4; 701/3; D23/377;  
D21/827, 583, 558, 453, 442  
See application file for complete search history.

(56) **References Cited**

**U.S. PATENT DOCUMENTS**

D132,383	S	*	5/1942	Reedy	.....	D12/16.1
2,992,794	A	*	7/1961	Boyd	.....	244/3.15
4,828,203	A	*	5/1989	Clifton et al.	.....	244/12.3
5,890,441	A	*	4/1999	Swinson et al.	.....	244/12.3
6,056,237	A	*	5/2000	Woodland	.....	244/3.15

6,498,767	B2	*	12/2002	Carreiro	.....	367/4
6,742,741	B1	*	6/2004	Rivoli	.....	244/12.1
7,188,802	B2	*	3/2007	Magre	.....	244/7 R
7,237,750	B2	*	7/2007	Chiu et al.	.....	244/119
D573,939	S	*	7/2008	Las Heras	.....	D12/319
D589,868	S	*	4/2009	Matharan et al.	.....	D12/343
D596,267	S	*	7/2009	Colgren et al.	.....	D12/319
D616,804	S	*	6/2010	Manley et al.	.....	D12/319
7,905,449	B2	*	3/2011	Cazals et al.	.....	244/55
2003/0060943	A1	*	3/2003	Carroll	.....	701/3

\* cited by examiner

*Primary Examiner* — Austin Murphy

(74) *Attorney, Agent, or Firm* — Suiter Swantz pc llo

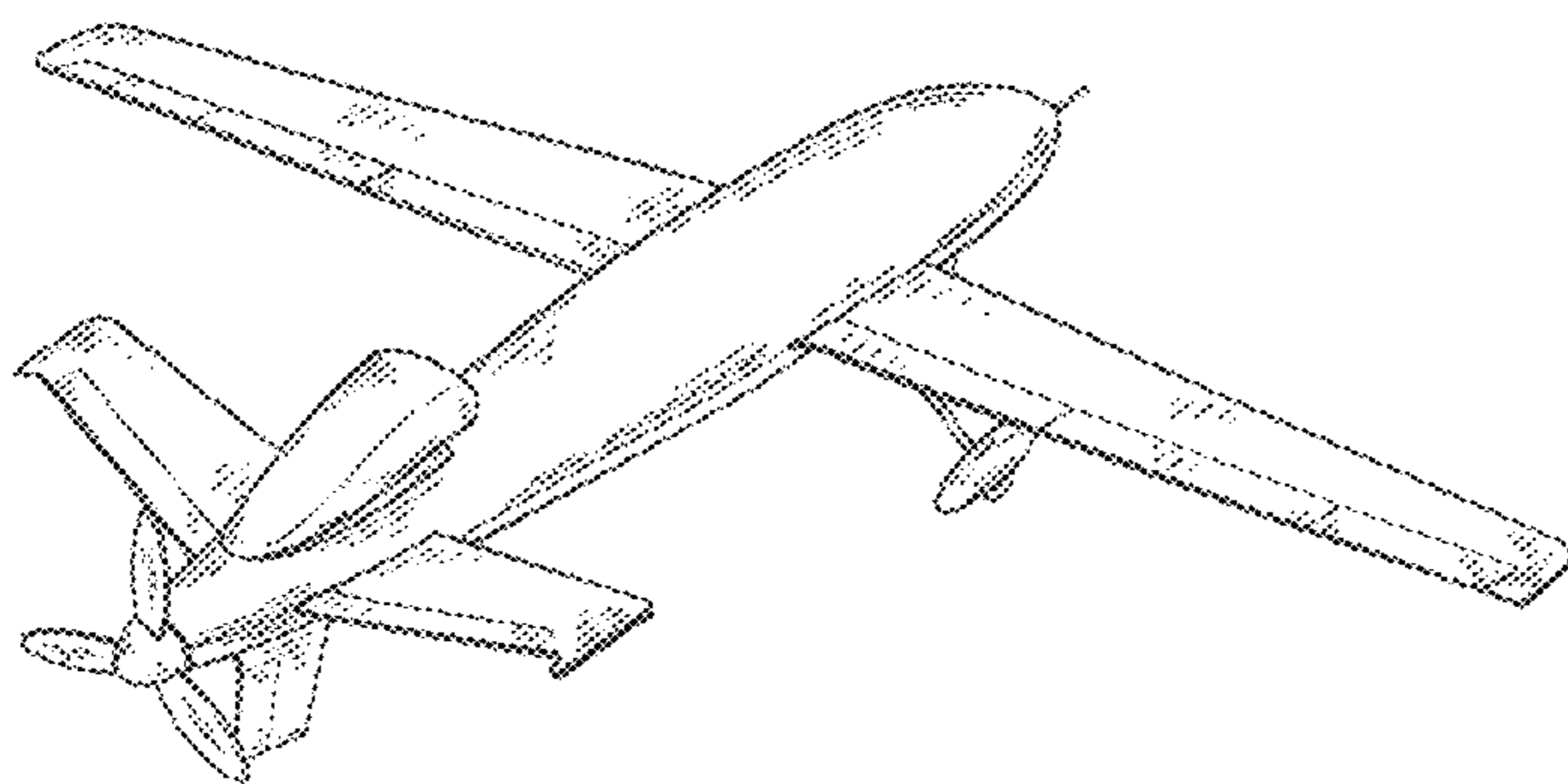
(57) **CLAIM**

The ornamental design for an unmanned aerial vehicle, as shown and described.

**DESCRIPTION**

FIG. 1 is a perspective view showing the new design;  
FIG. 2 is a top plan view thereof;  
FIG. 3 is a front elevation view thereof;  
FIG. 4 is a first side elevation view thereof;  
FIG. 5 is a rear elevation view thereof;  
FIG. 6 is a second side elevation view thereof; and,  
FIG. 7 is a bottom plan view thereof.

**1 Claim, 4 Drawing Sheets**



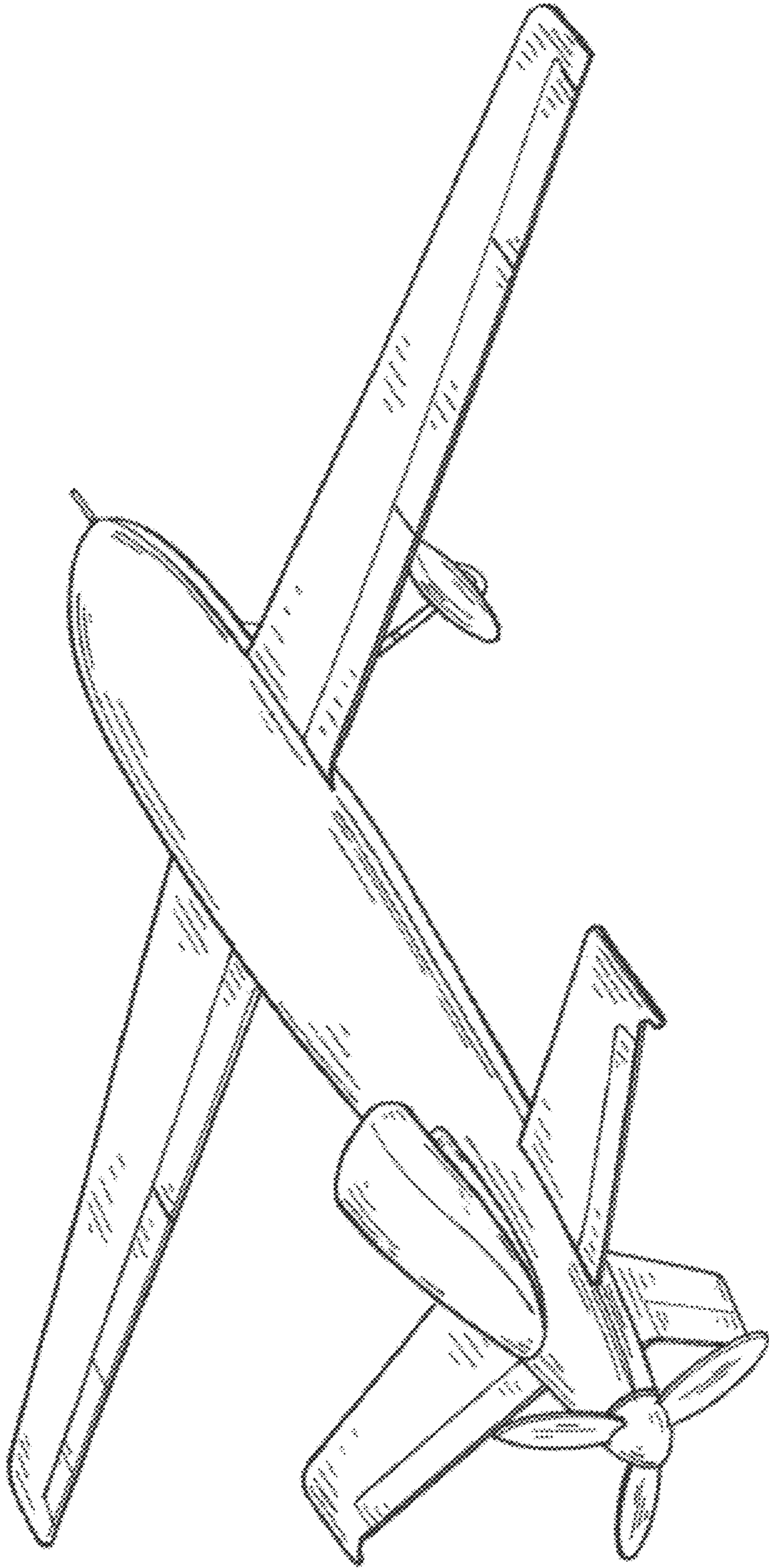


FIG. 1

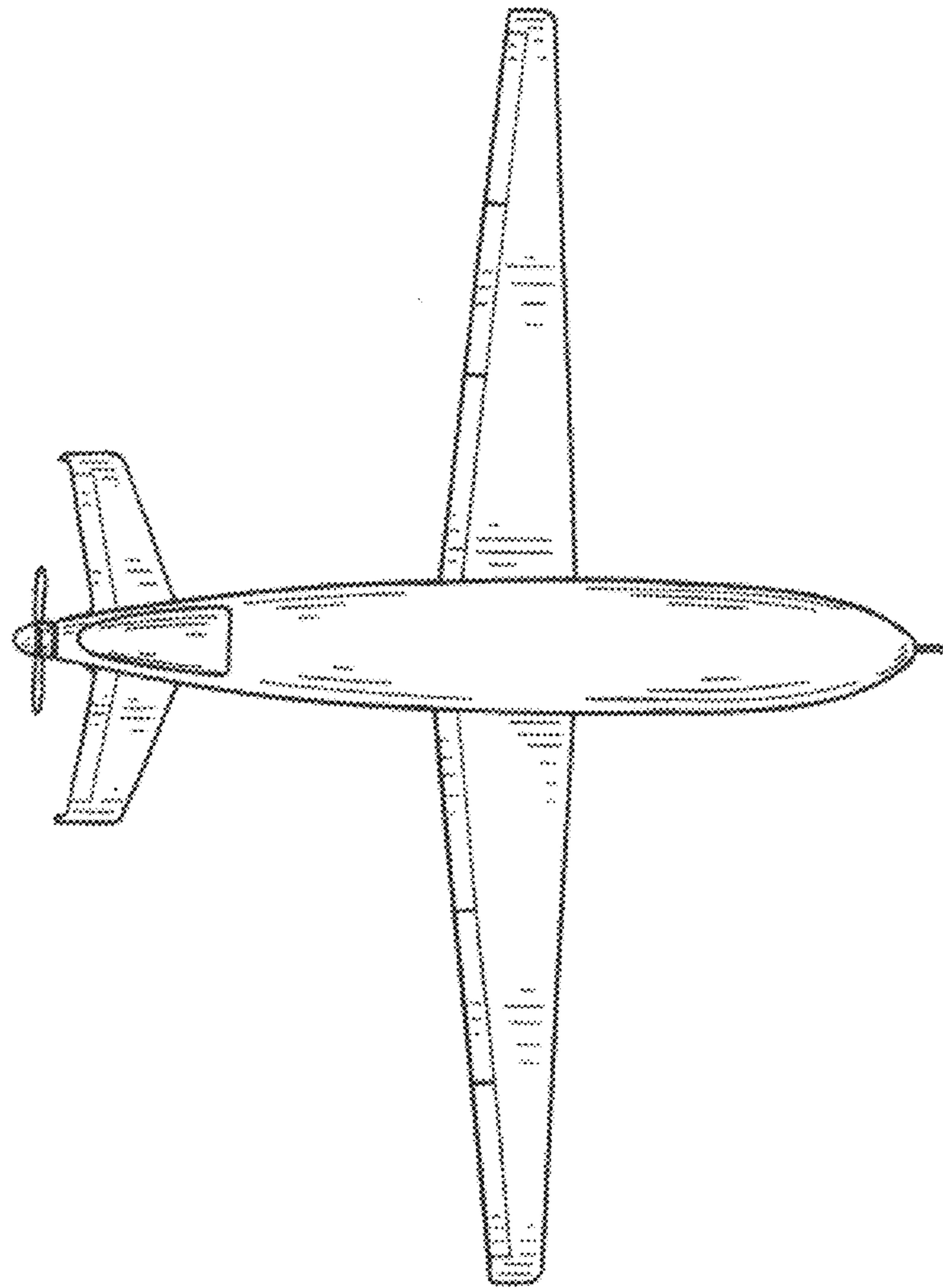


FIG. 2

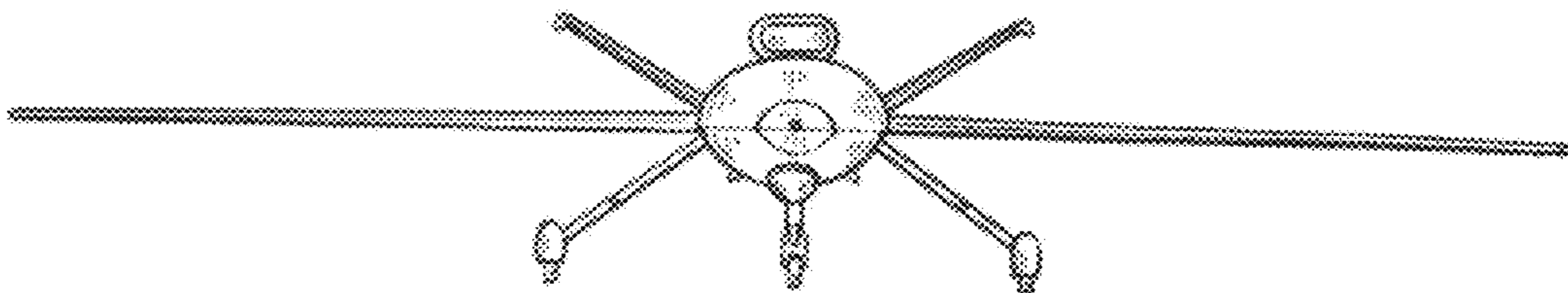


FIG. 3

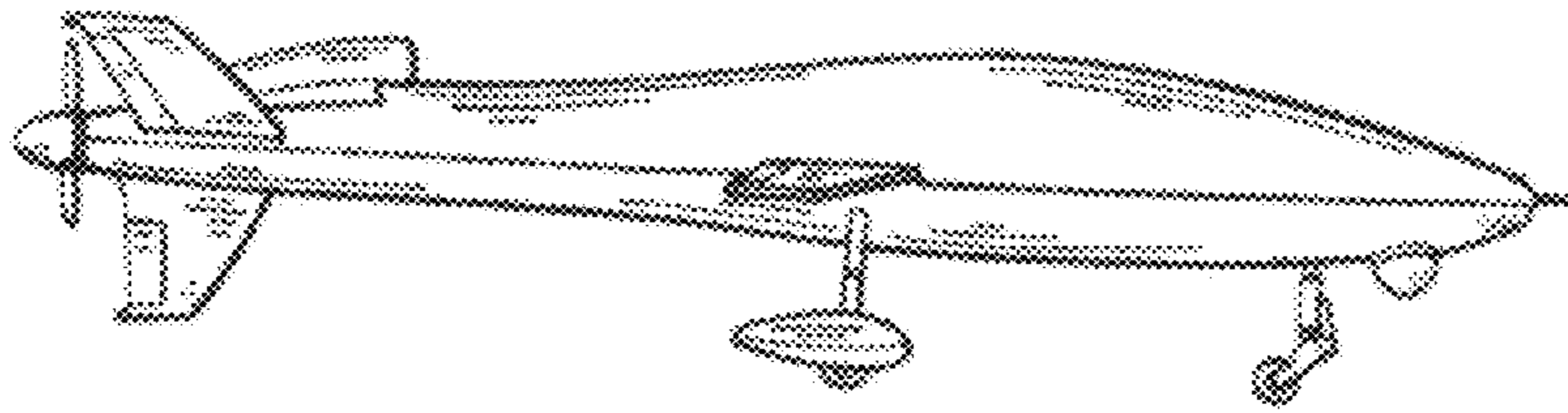


FIG. 4

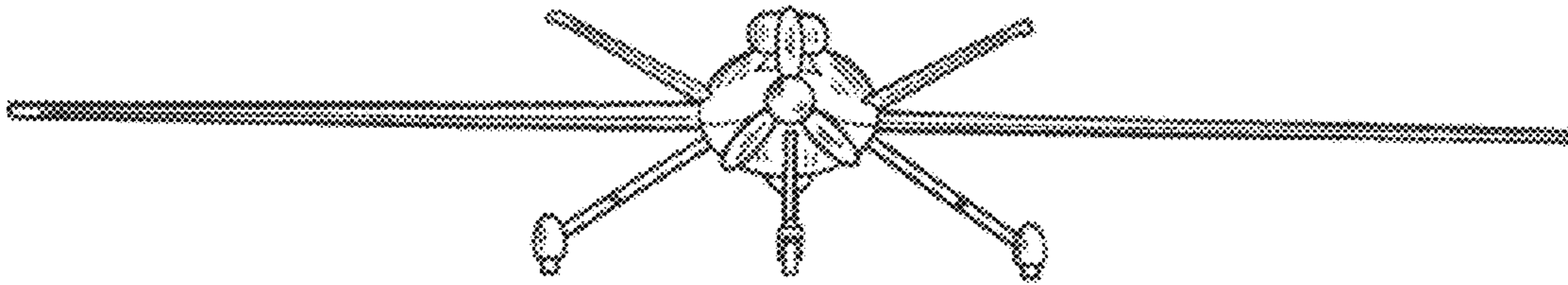


FIG. 5

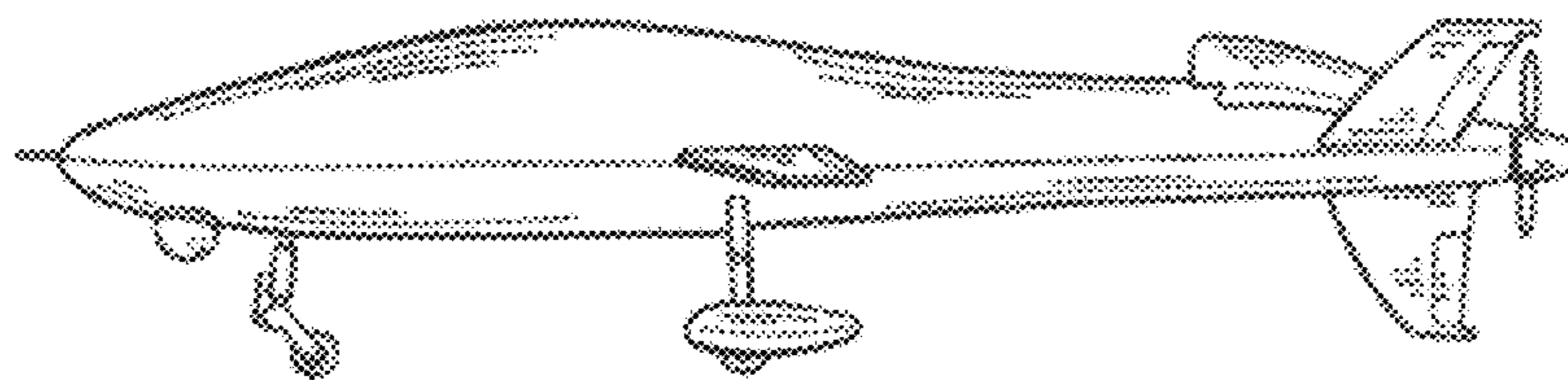


FIG. 6

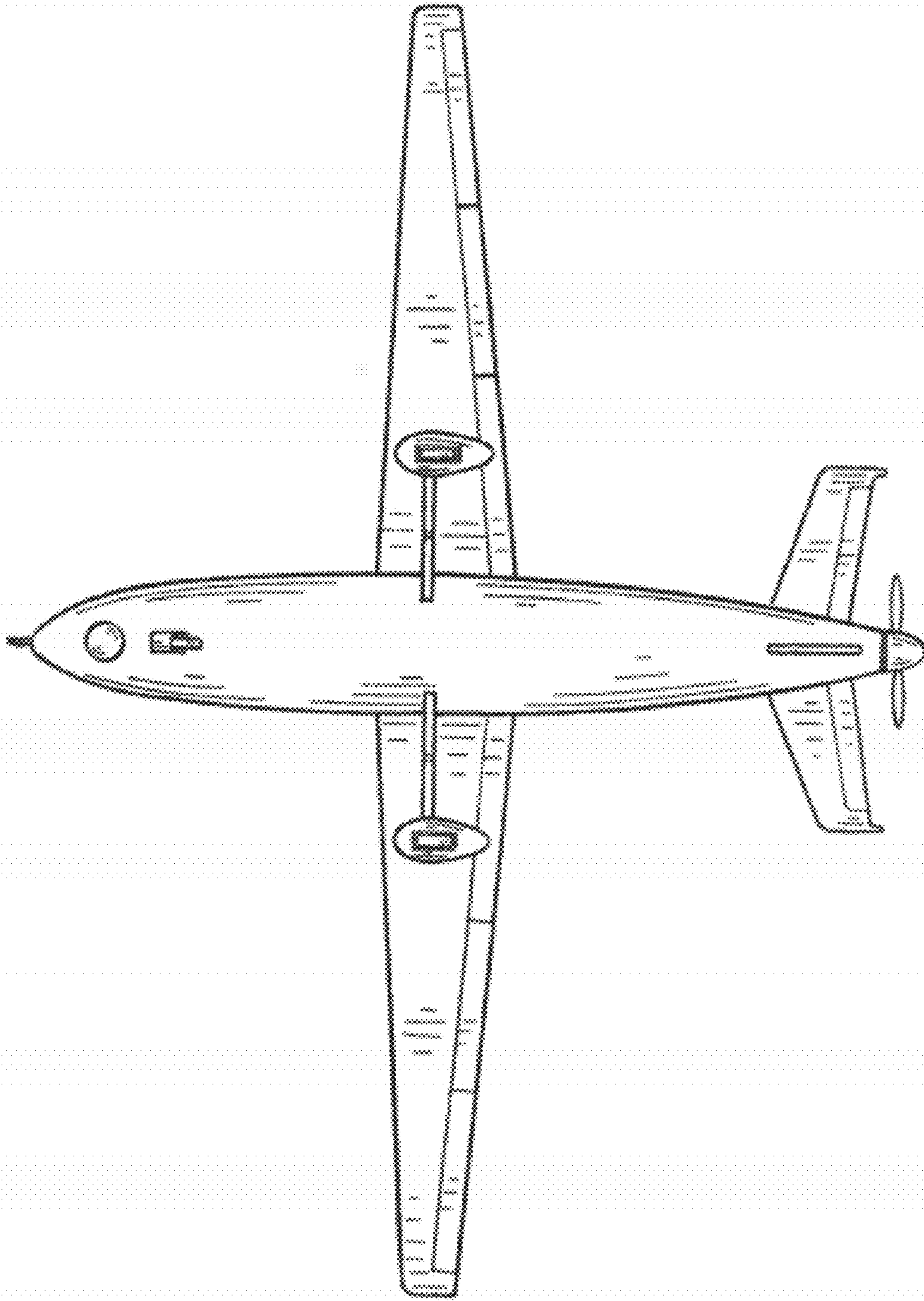


FIG. 7