



US00D665329S

(12) **United States Design Patent**  
**Houssat et al.**

(10) **Patent No.:** **US D665,329 S**

(45) **Date of Patent:** **\*\* Aug. 14, 2012**

(54) **CONNECTOR FOR WINDSCREEN WIPERS**

(75) Inventors: **Stéphane Houssat**, Blanzat (FR);  
**Philippe Epinasse**, Coudes (FR); **Serge Braud**, Le Puy en Velay (FR); **Loïc Roussel**, Isserteaux (FR)

(73) Assignee: **Valeo Systemes d'Essuyage**, La Verriere (FR)

(\*\*) Term: **14 Years**

(21) Appl. No.: **29/400,711**

(22) Filed: **Aug. 31, 2011**

(51) **LOC (9) Cl.** ..... **12-06**

(52) **U.S. Cl.** ..... **D12/220**

(58) **Field of Classification Search** ..... D12/219–220;  
15/246, 247, 250.001, 250.4, 250.361, 250.19,  
15/250.48, 250.03, 250.31–250.33, 250.351,  
15/250.38, 250.201, 250.451, 250.458, 250.04,  
15/250.07, 250.44

See application file for complete search history.

(56) **References Cited**

U.S. PATENT DOCUMENTS

D478,308 S \* 8/2003 Lee ..... D12/220  
7,395,578 B2 \* 7/2008 Huang ..... 15/250.32  
D579,849 S \* 11/2008 Garrastacho et al. .... D12/219

D597,465 S \* 8/2009 Grasso et al. .... D12/220  
D597,466 S \* 8/2009 Grasso et al. .... D12/220  
D597,468 S \* 8/2009 Grasso et al. .... D12/220  
D597,470 S \* 8/2009 Grasso et al. .... D12/220

\* cited by examiner

*Primary Examiner* — Caron D Veynar

*Assistant Examiner* — Katrina A Betton

(74) *Attorney, Agent, or Firm* — Pillsbury Winthrop Shaw Pittman LLP

(57) **CLAIM**

The ornamental design for a connector for windscreen wipers, as shown and described.

**DESCRIPTION**

FIG. 1 is a front view of the connector for windscreen wipers showing our new design;

FIG. 2 is a rear view thereof;

FIG. 3 is a right side view thereof;

FIG. 4 is a left side view thereof;

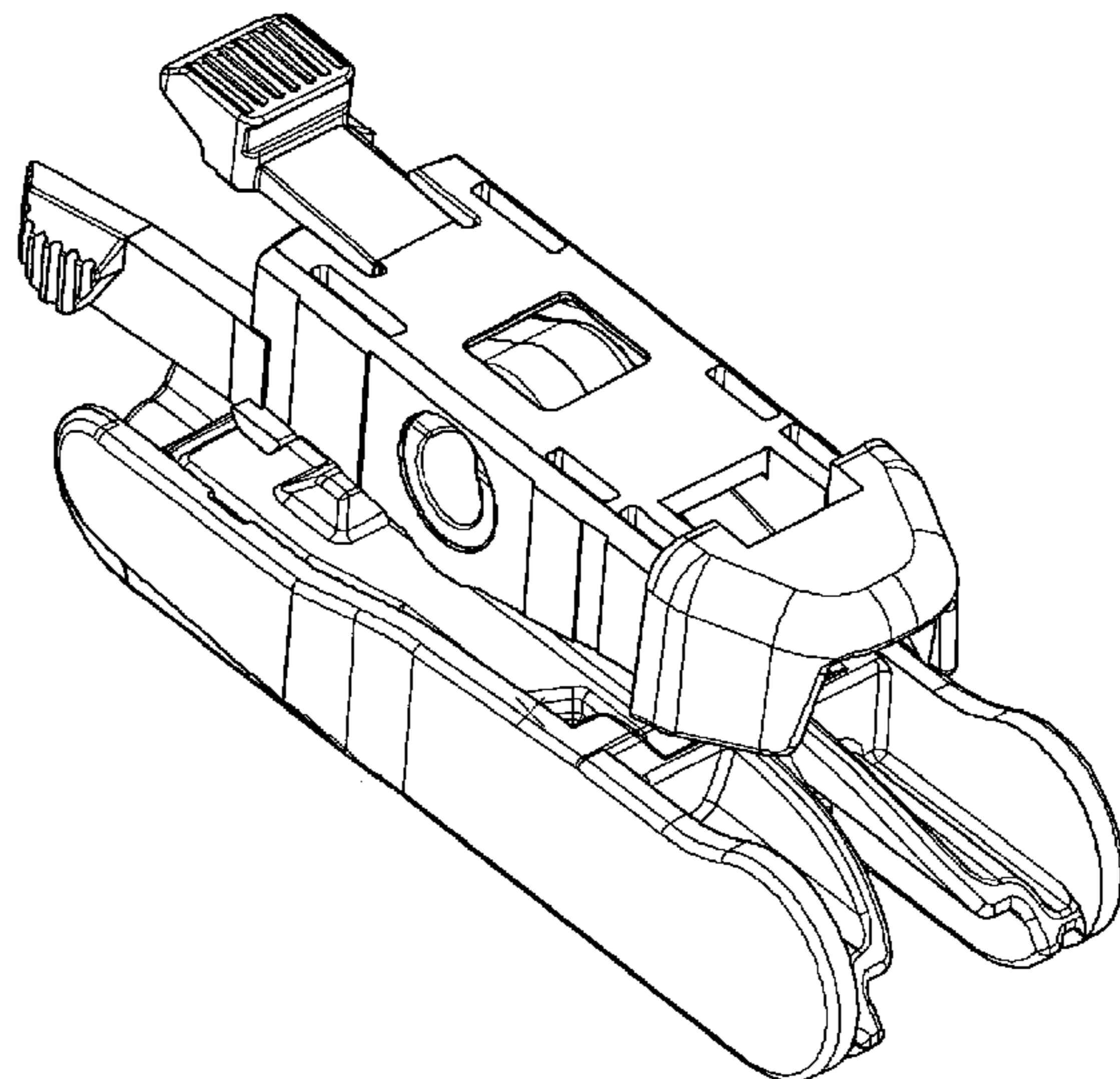
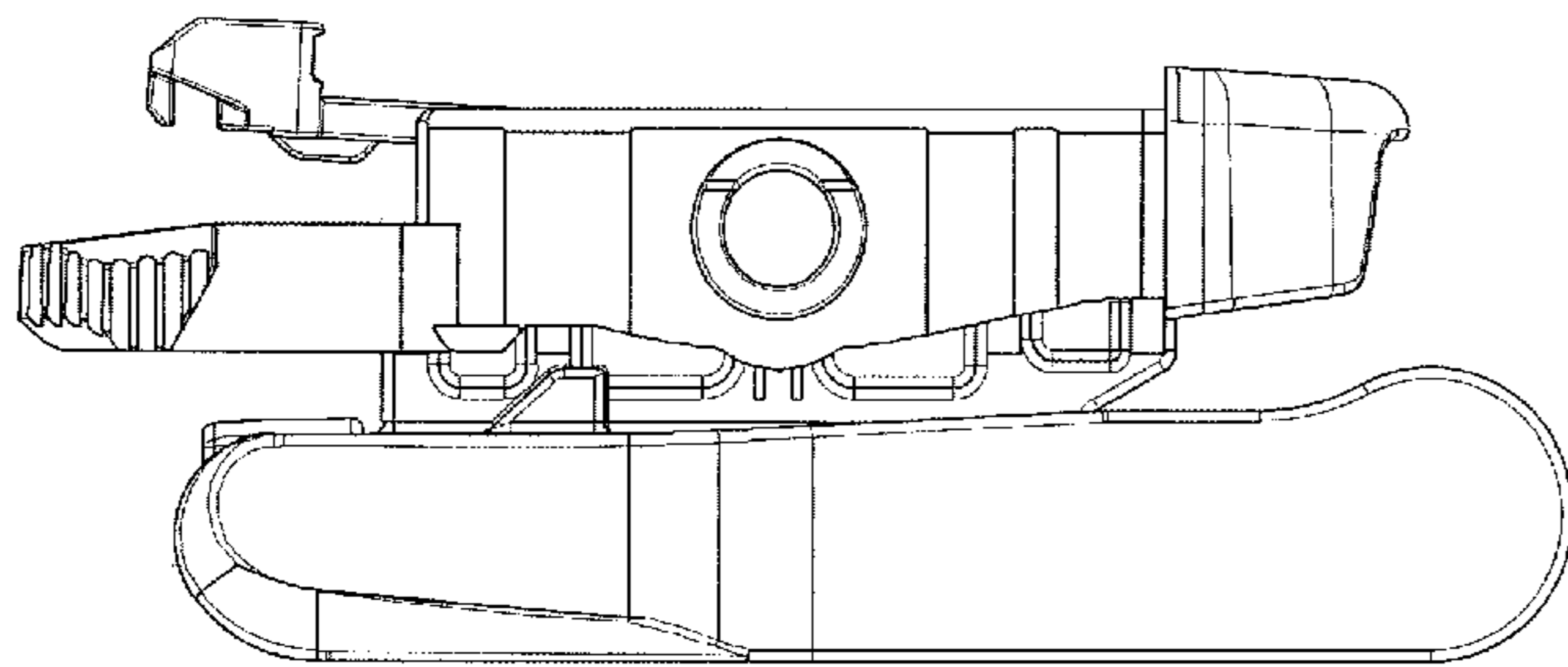
FIG. 5 is a top view thereof;

FIG. 6 is a bottom view thereof; and,

FIG. 7 is a perspective view of the connector for windscreen wipers.

In the drawings, the broken lines in FIG. 6 depict portions of the article that form no part of the claim.

**1 Claim, 7 Drawing Sheets**



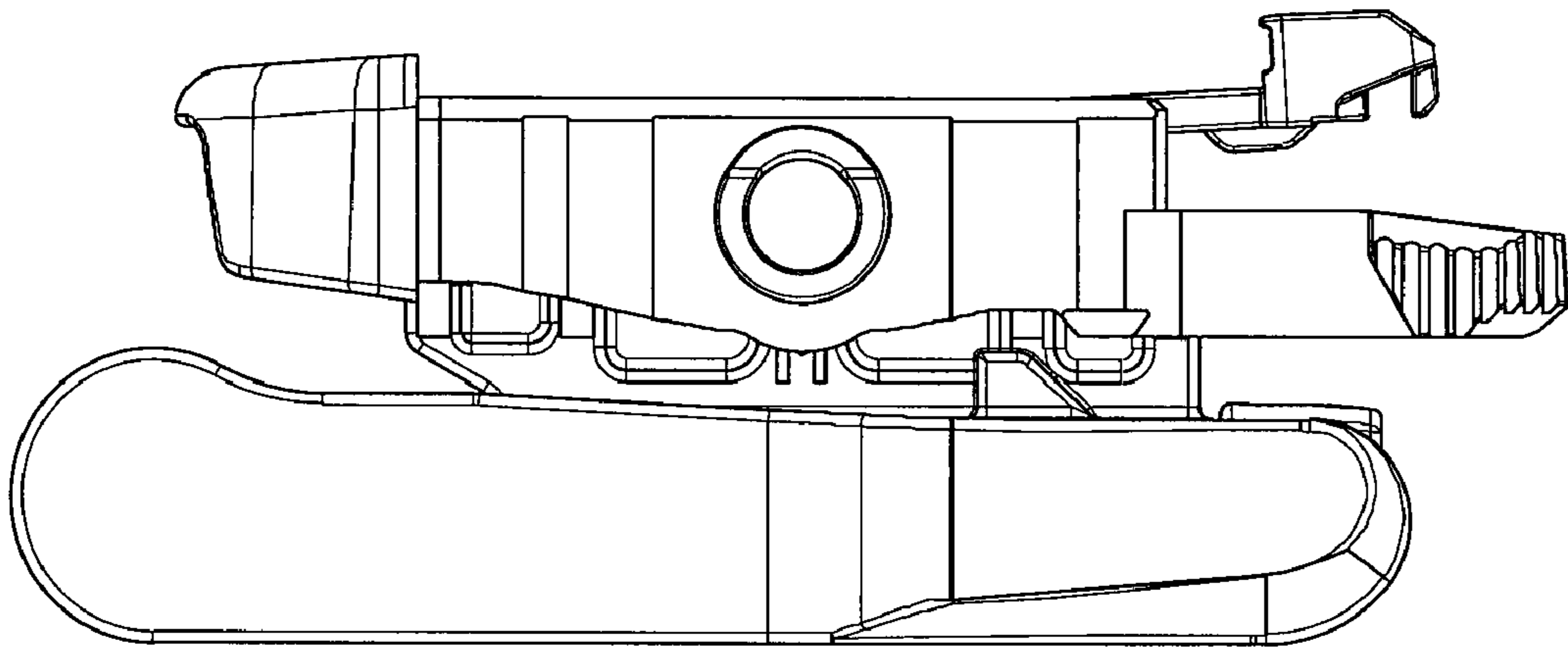


FIG. 1

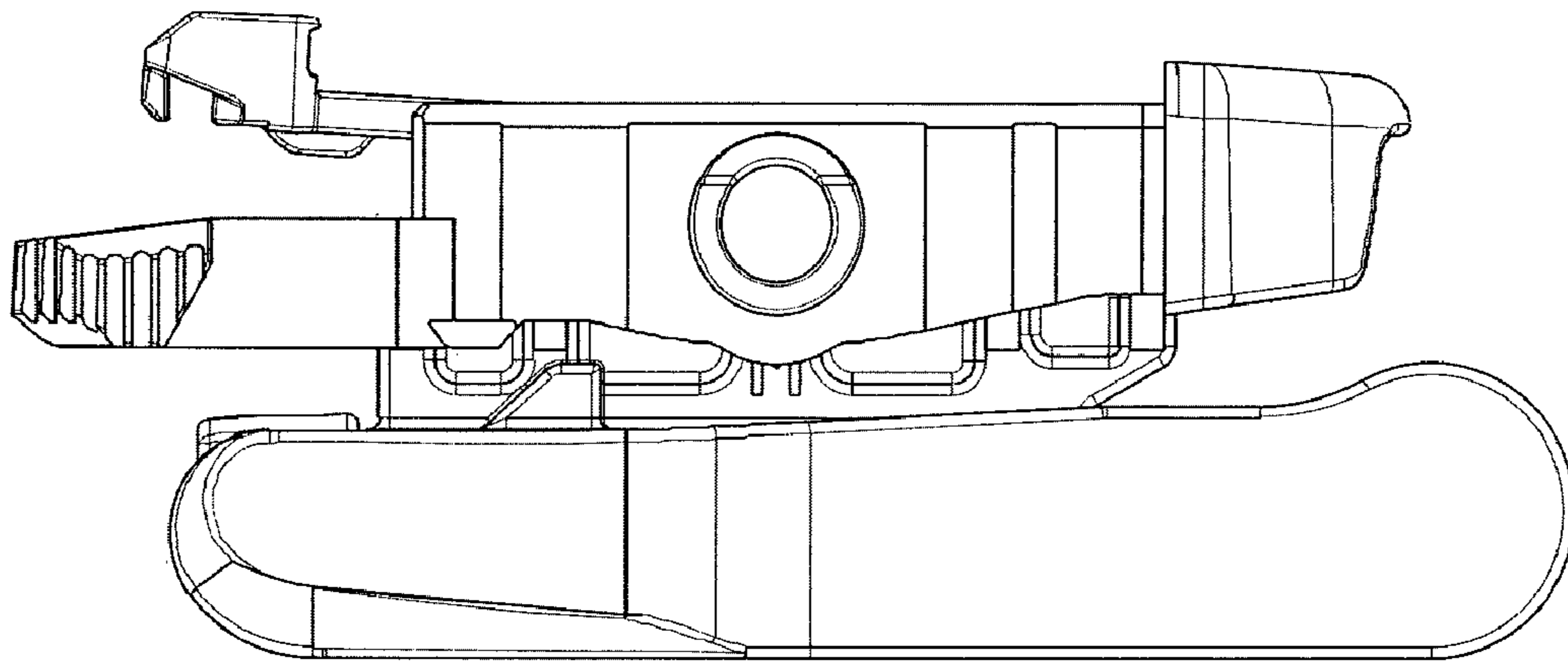


FIG. 2

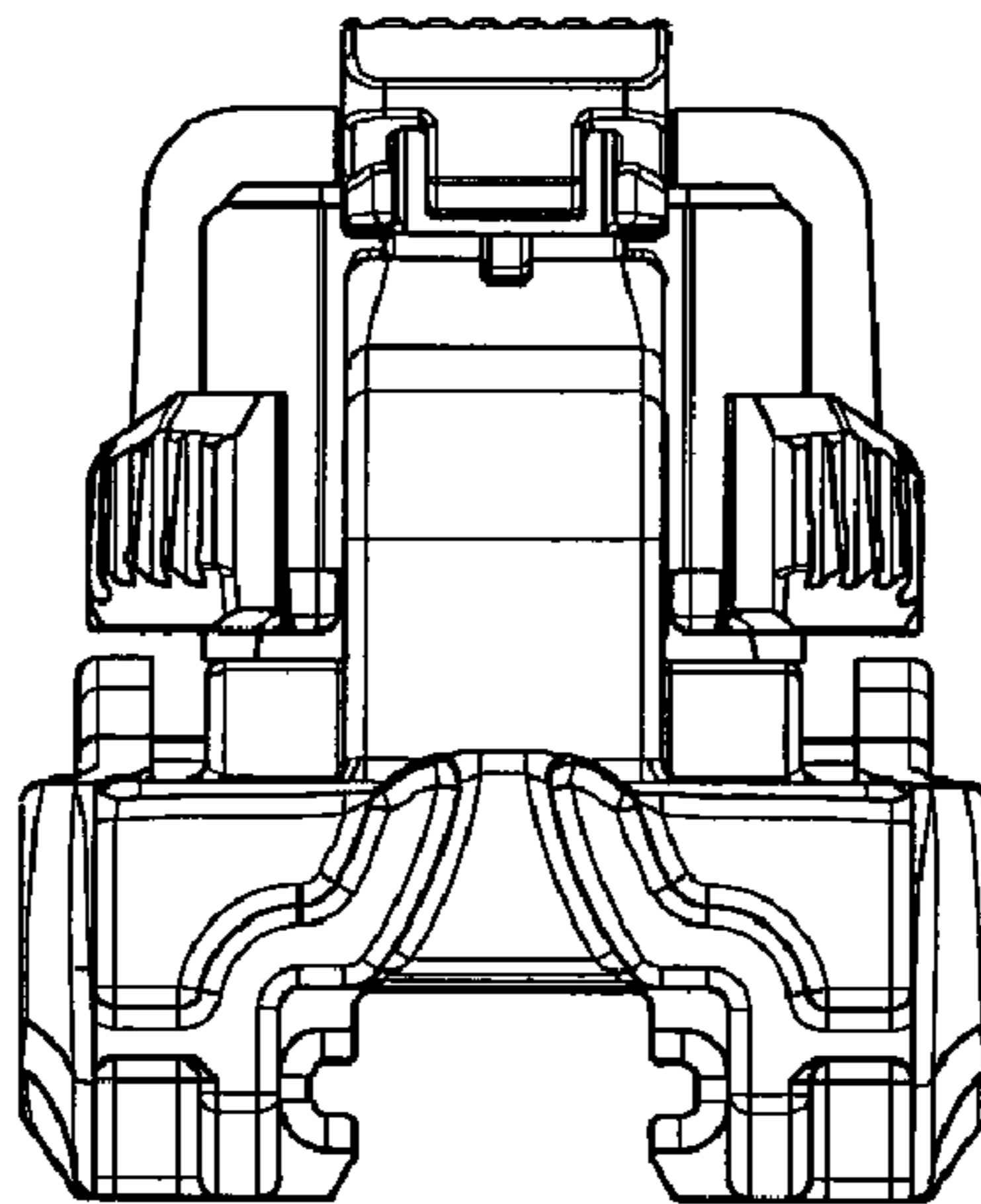


FIG. 3

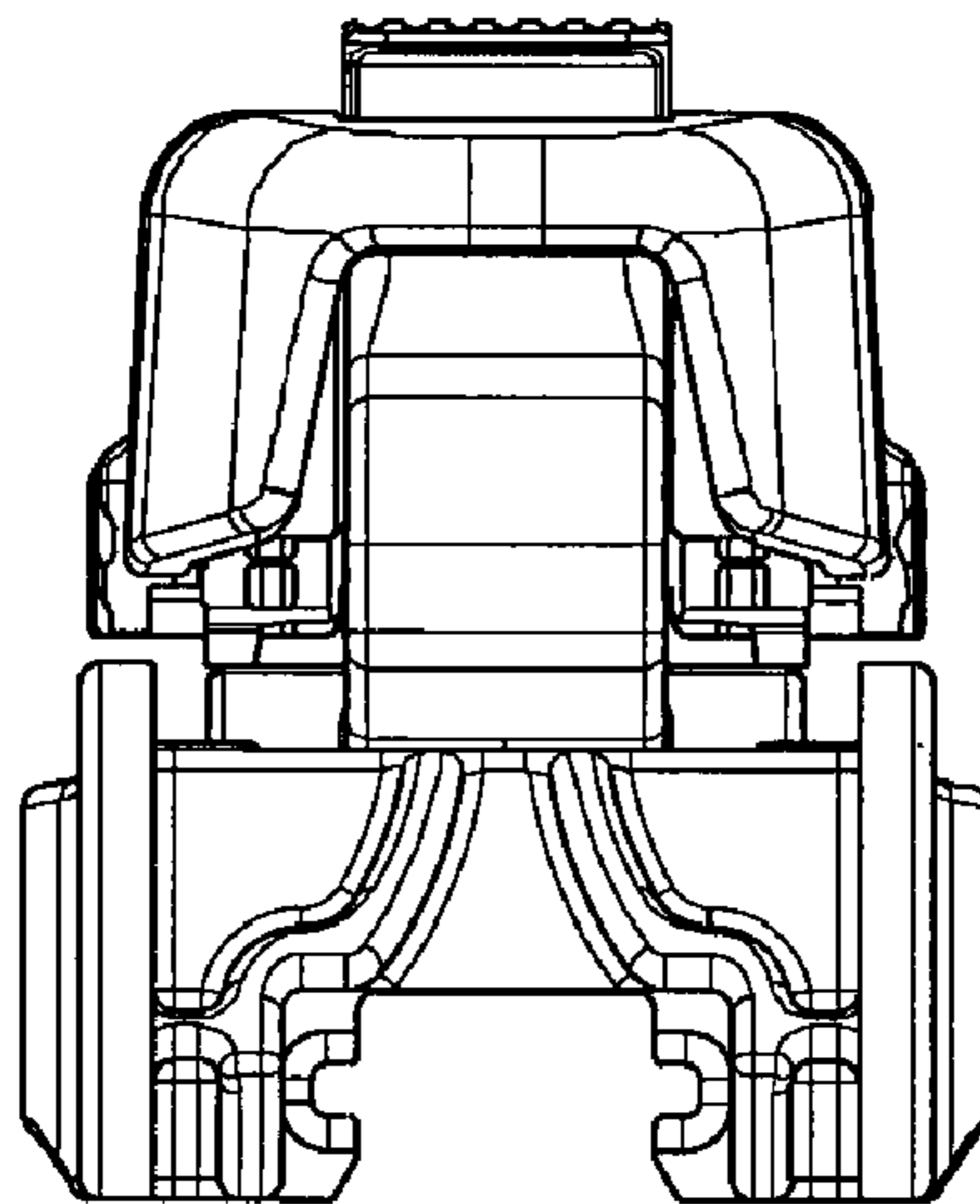


FIG. 4

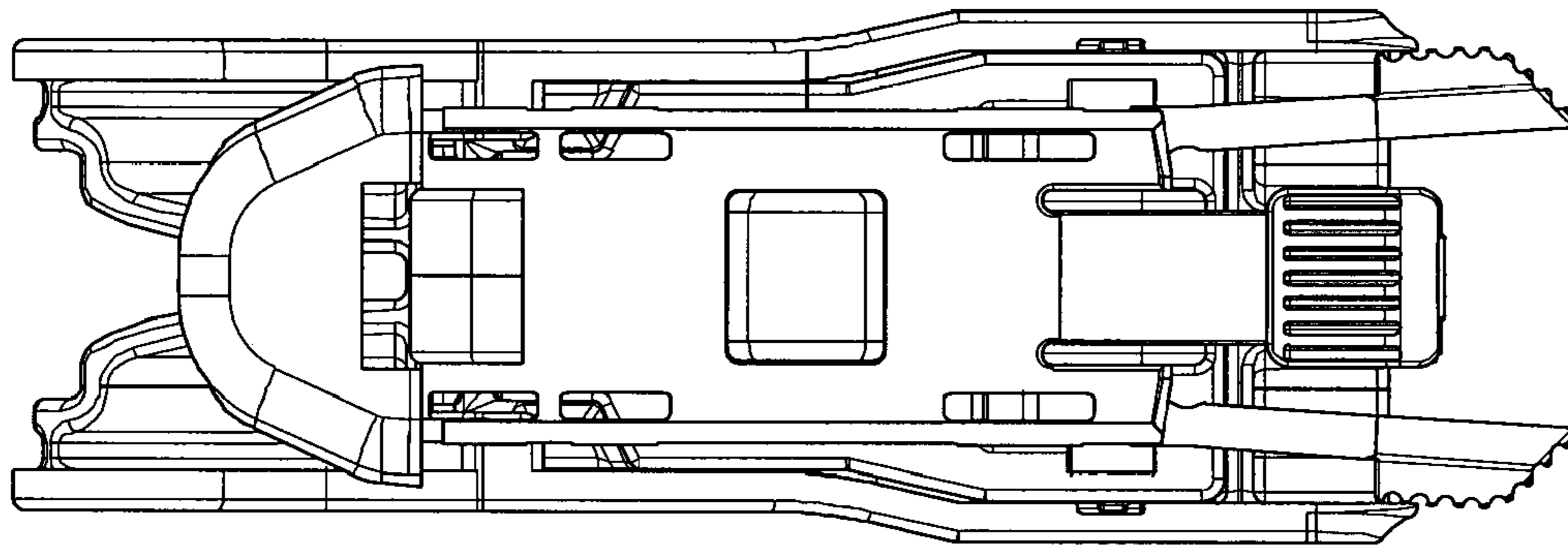


FIG. 5

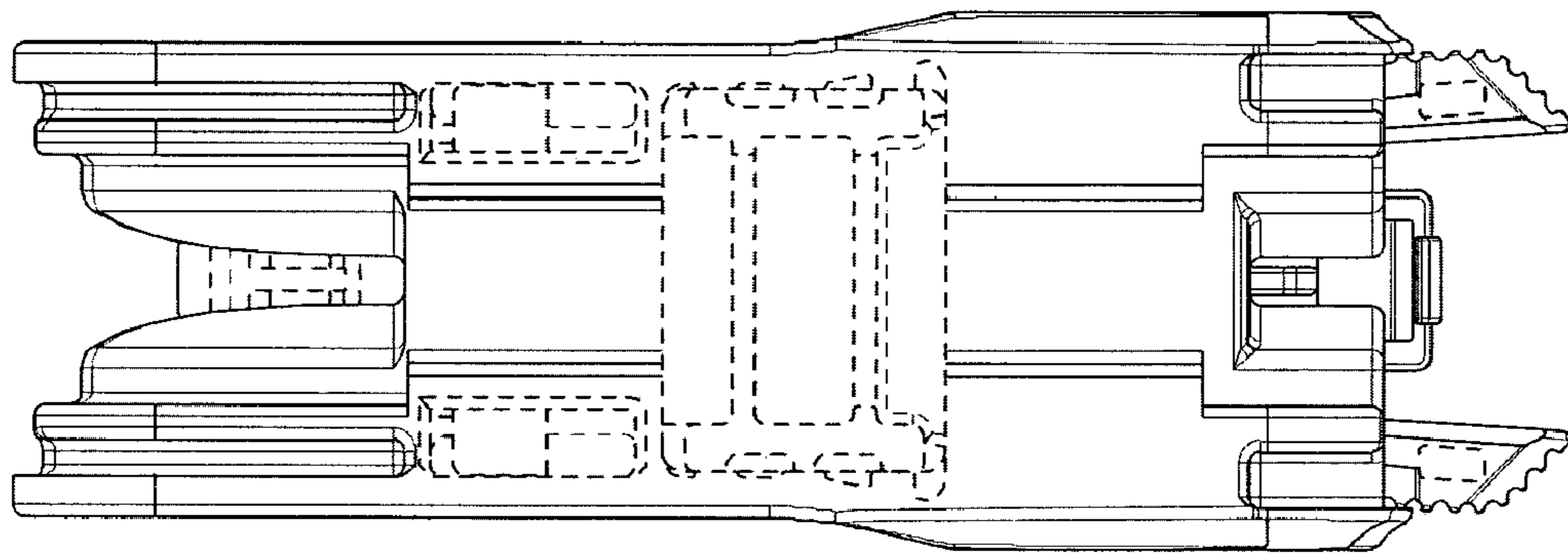


FIG. 6



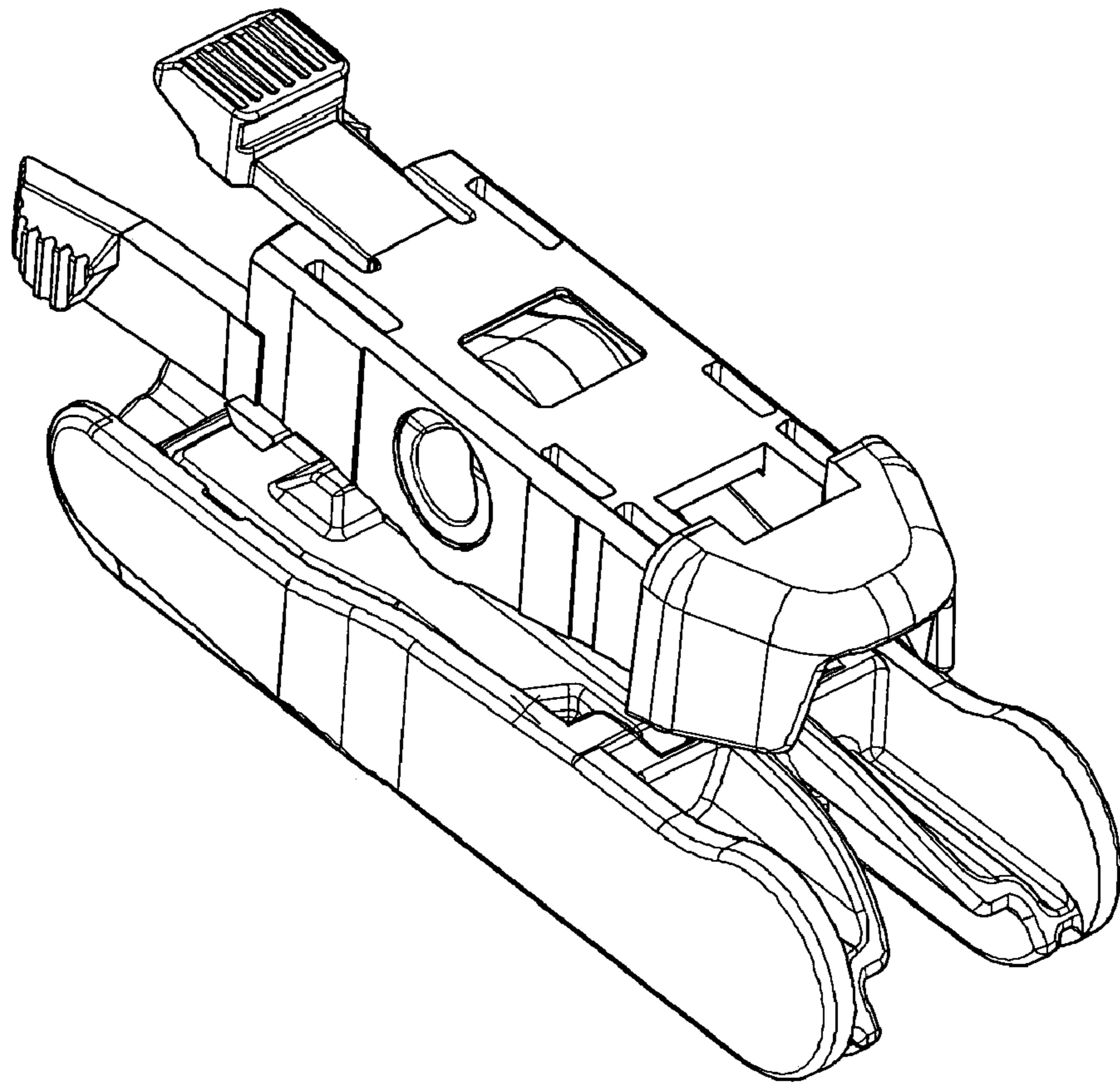


FIG. 7



UNITED STATES PATENT AND TRADEMARK OFFICE  
**CERTIFICATE OF CORRECTION**

PATENT NO. : D665,329 S  
APPLICATION NO. : 29/400711  
DATED : August 14, 2012  
INVENTOR(S) : Stéphane Houssat et al.

Page 1 of 1

It is certified that error appears in the above-identified patent and that said Letters Patent is hereby corrected as shown below:

**On title page, please add item (30) Foreign Application Priority Data, and insert the following priority claim as submitted on the Application Data Sheet filed August 31, 2011:**

--European Community Design Patent Application No. 001877572-0003, filed  
June 14, 2011--

Signed and Sealed this  
First Day of January, 2013



David J. Kappos  
*Director of the United States Patent and Trademark Office*