



US00D665327S

(12) **United States Design Patent**
Houssat et al.

(10) **Patent No.:** **US D665,327 S**

(45) **Date of Patent:** **** Aug. 14, 2012**

(54) **CONNECTOR FOR WINDSCREEN WIPERS**

(75) Inventors: **Stéphane Houssat**, Blanzat (FR);
Philippe Epinasse, Coudes (FR); **Serge Braud**, Le Puy en Velay (FR)

(73) Assignee: **Valeo Systemes d'Essuyage**, La Verriere (FR)

(**) Term: **14 Years**

(21) Appl. No.: **29/400,707**

(22) Filed: **Aug. 31, 2011**

(30) **Foreign Application Priority Data**

Jun. 14, 2011 (EM) 001877572-0001

(51) **LOC (9) Cl.** **12-06**

(52) **U.S. Cl.** **D12/220**

(58) **Field of Classification Search** D12/219-220;
15/246, 247, 250.001, 250.4, 250.361, 250.19,
15/250.48, 250.03, 250.31-250.33, 250.351,
15/250.38, 250.201, 250.451, 250.458, 250.04,
15/250.07, 250.44

See application file for complete search history.

(56) **References Cited**

U.S. PATENT DOCUMENTS

D478,308	S	*	8/2003	Lee	D12/220
D569,328	S	*	5/2008	Lin	D12/220
D578,462	S	*	10/2008	Biosca-Munt et al.	D12/220
D586,717	S	*	2/2009	Depondt	D12/220
D592,120	S	*	5/2009	Grasso et al.	D12/220
2005/0039292	A1	*	2/2005	Boland	15/250.32

* cited by examiner

Primary Examiner — Caron D Veynar

Assistant Examiner — Katrina A Betton

(74) *Attorney, Agent, or Firm* — Pillsbury Winthrop Shaw Pittman LLP

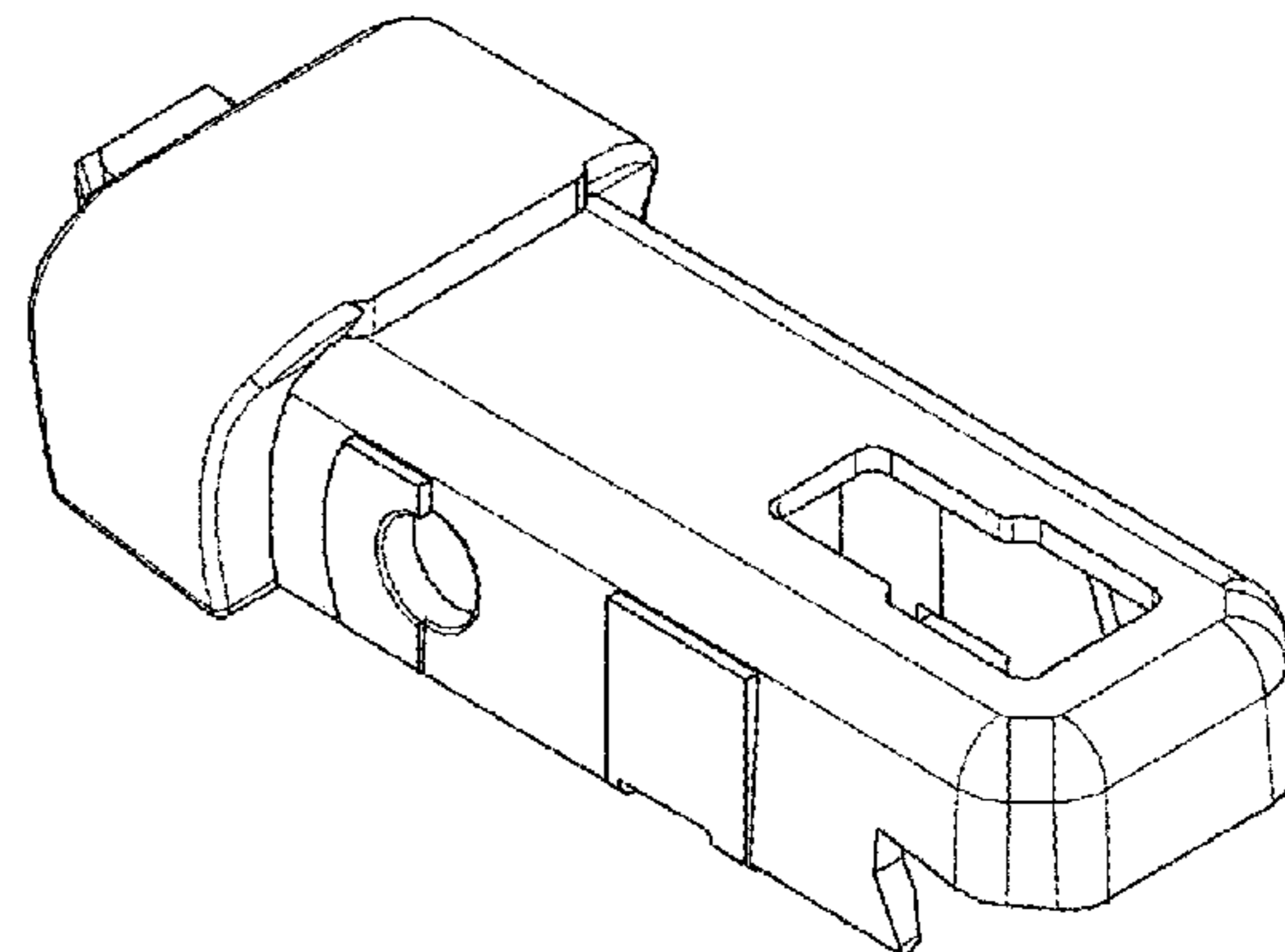
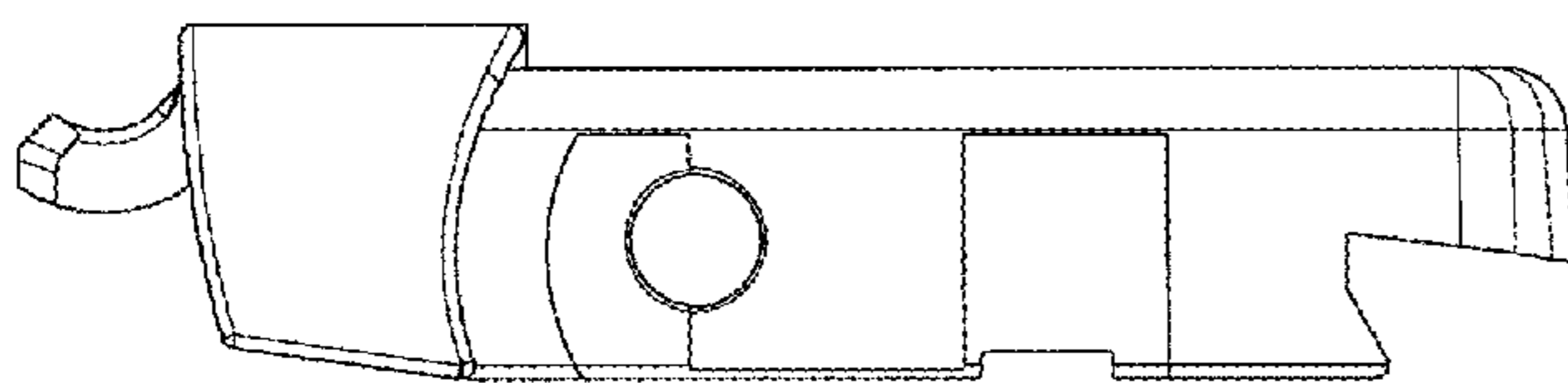
(57) **CLAIM**

The ornamental design for a connector for windscreen wipers, as shown and described.

DESCRIPTION

FIG. 1 is a front view of the connector for windscreen wipers showing my new design;
FIG. 2 is a rear view thereof;
FIG. 3 is a right side view thereof;
FIG. 4 is a left side view thereof;
FIG. 5 is a top view thereof;
FIG. 6 is a bottom view thereof;
FIG. 7 is a right side perspective view of the connector for windscreen wipers; and,
FIG. 8 is a left side perspective view of the connector for windscreen wipers.

1 Claim, 8 Drawing Sheets



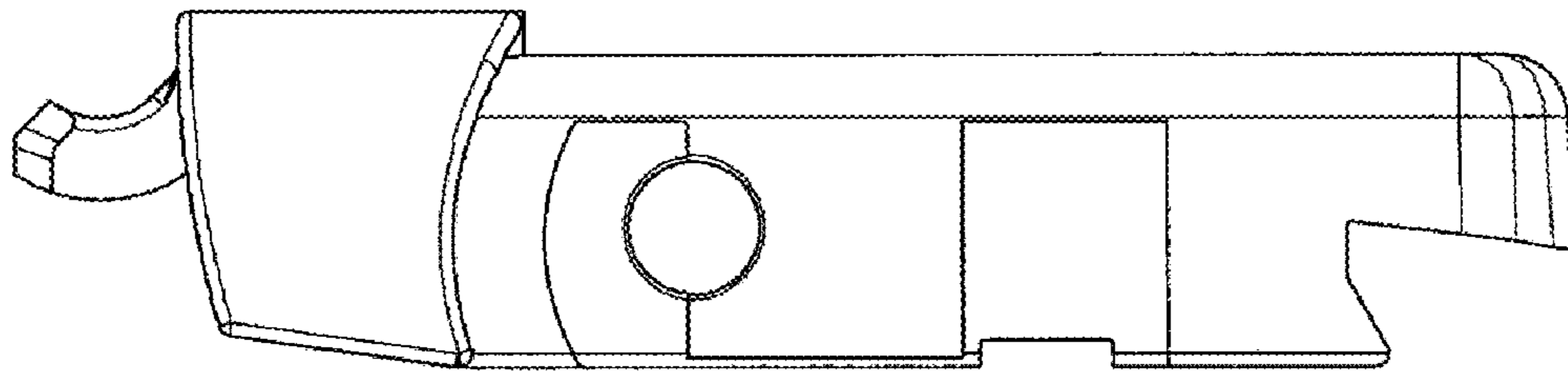


FIG. 1

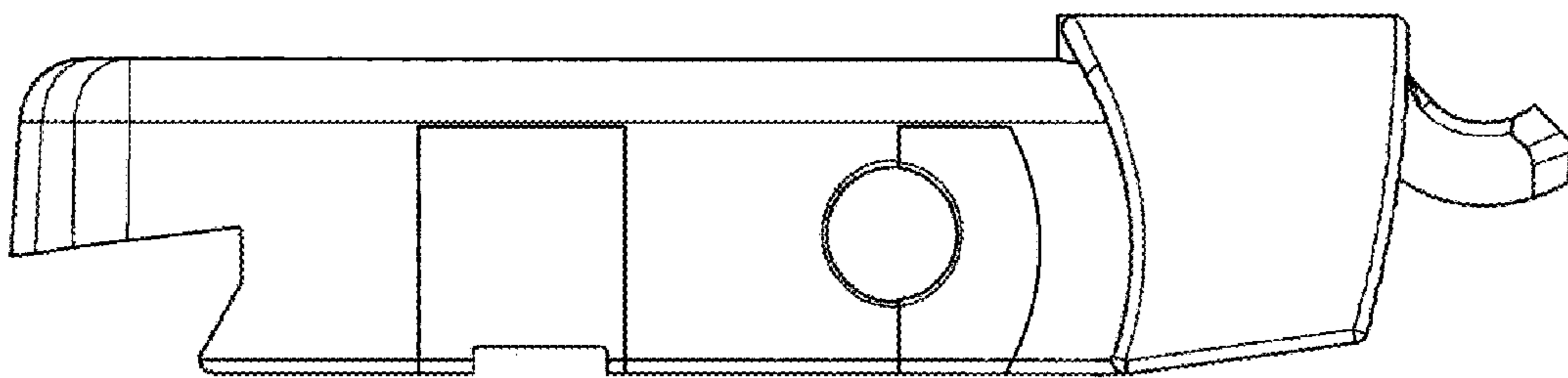


FIG. 2

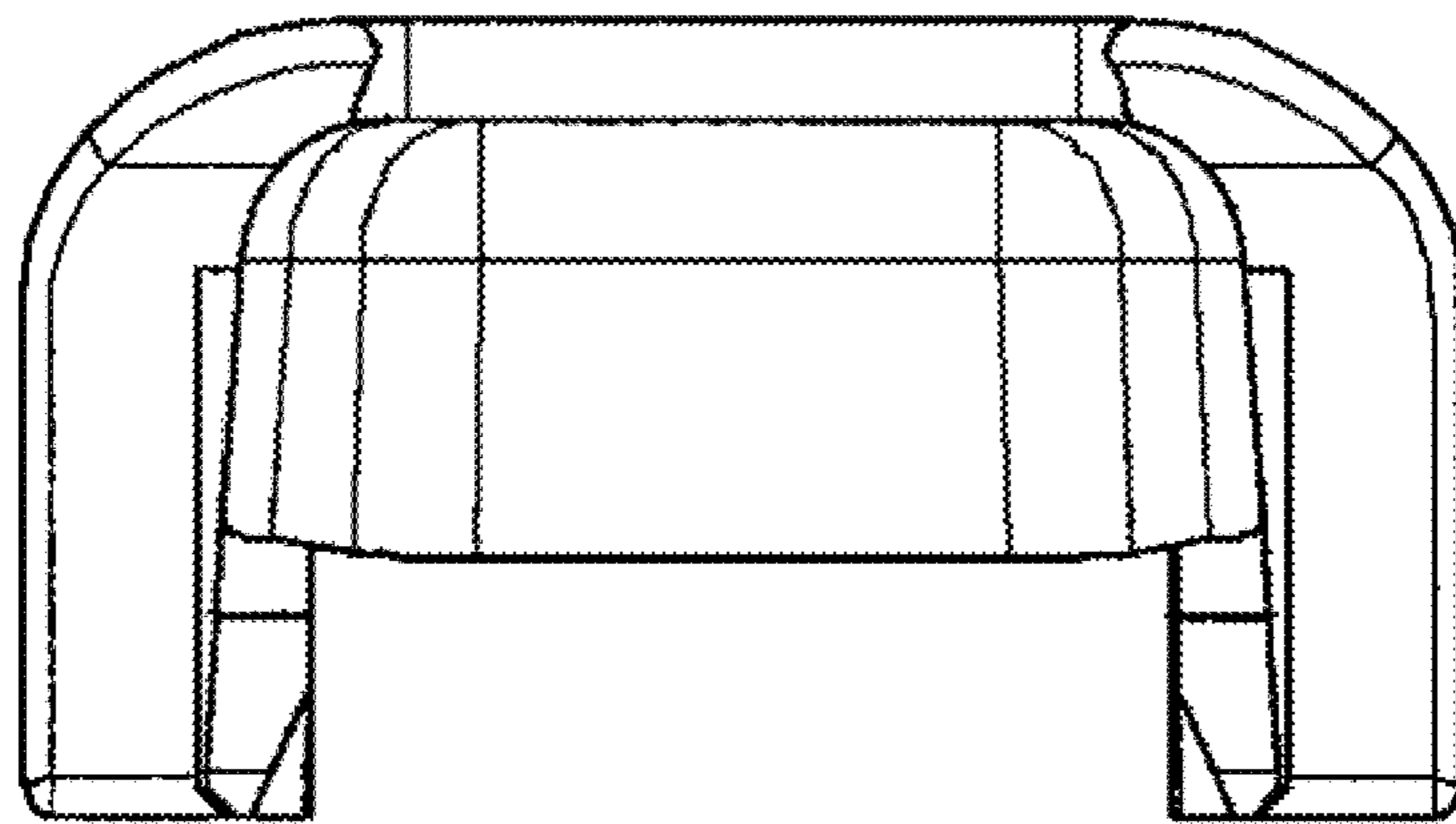


FIG. 3

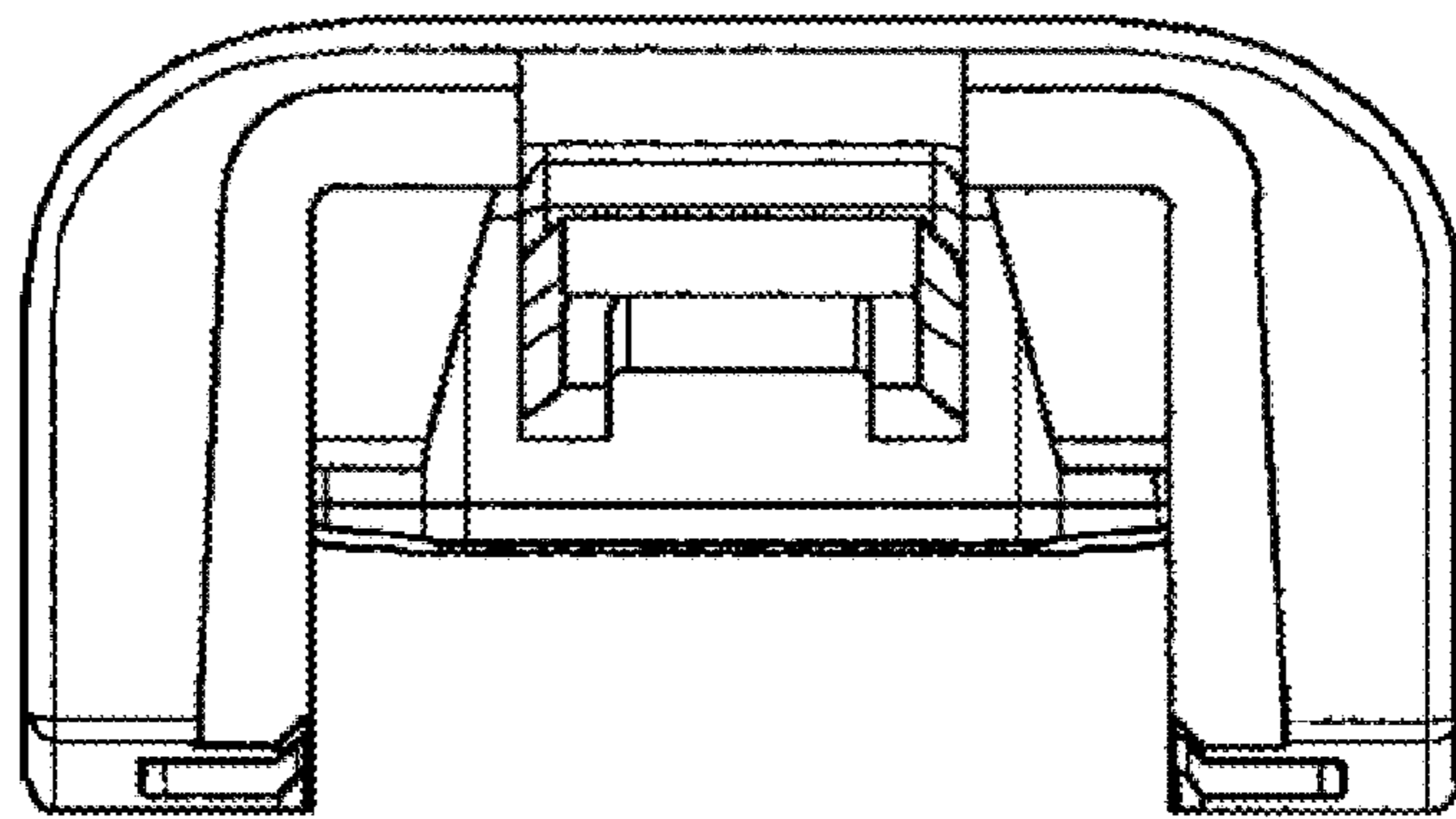


FIG. 4

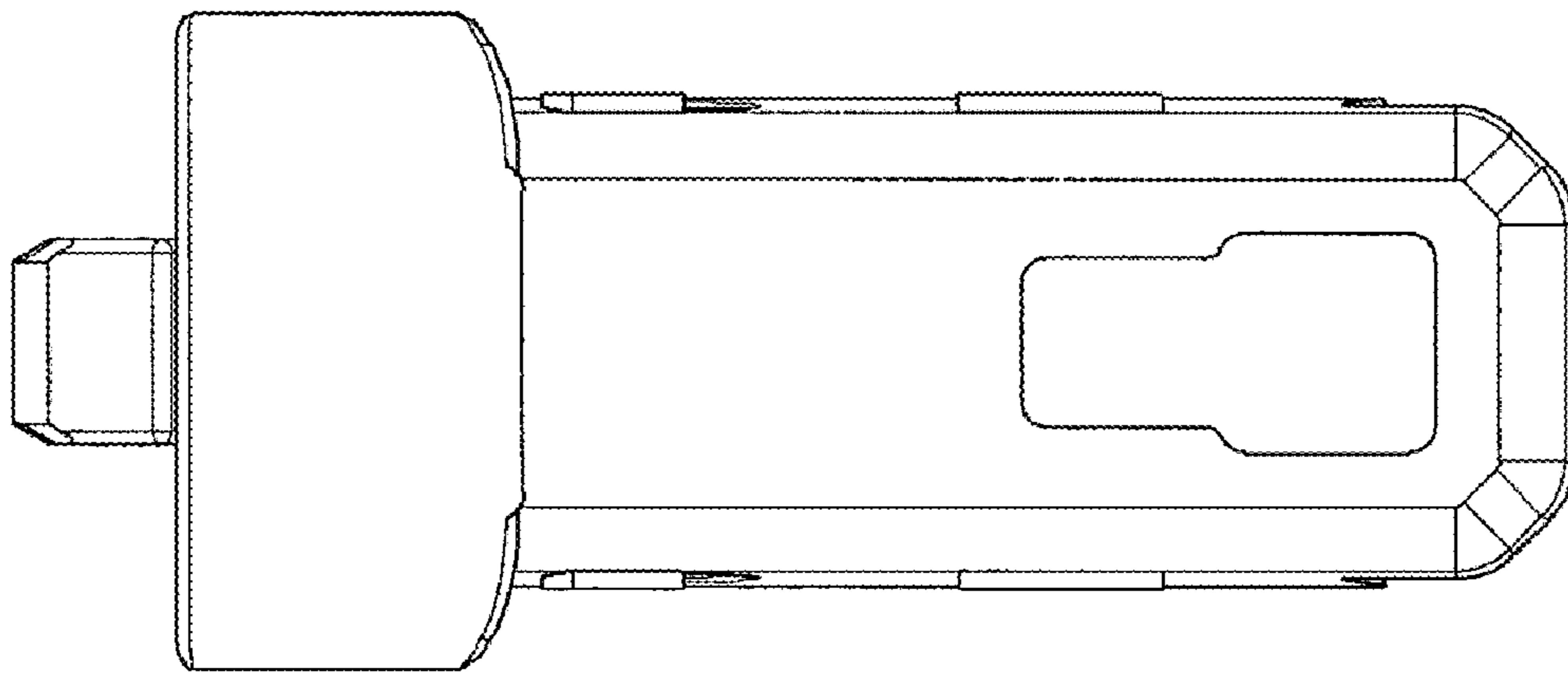


FIG. 5

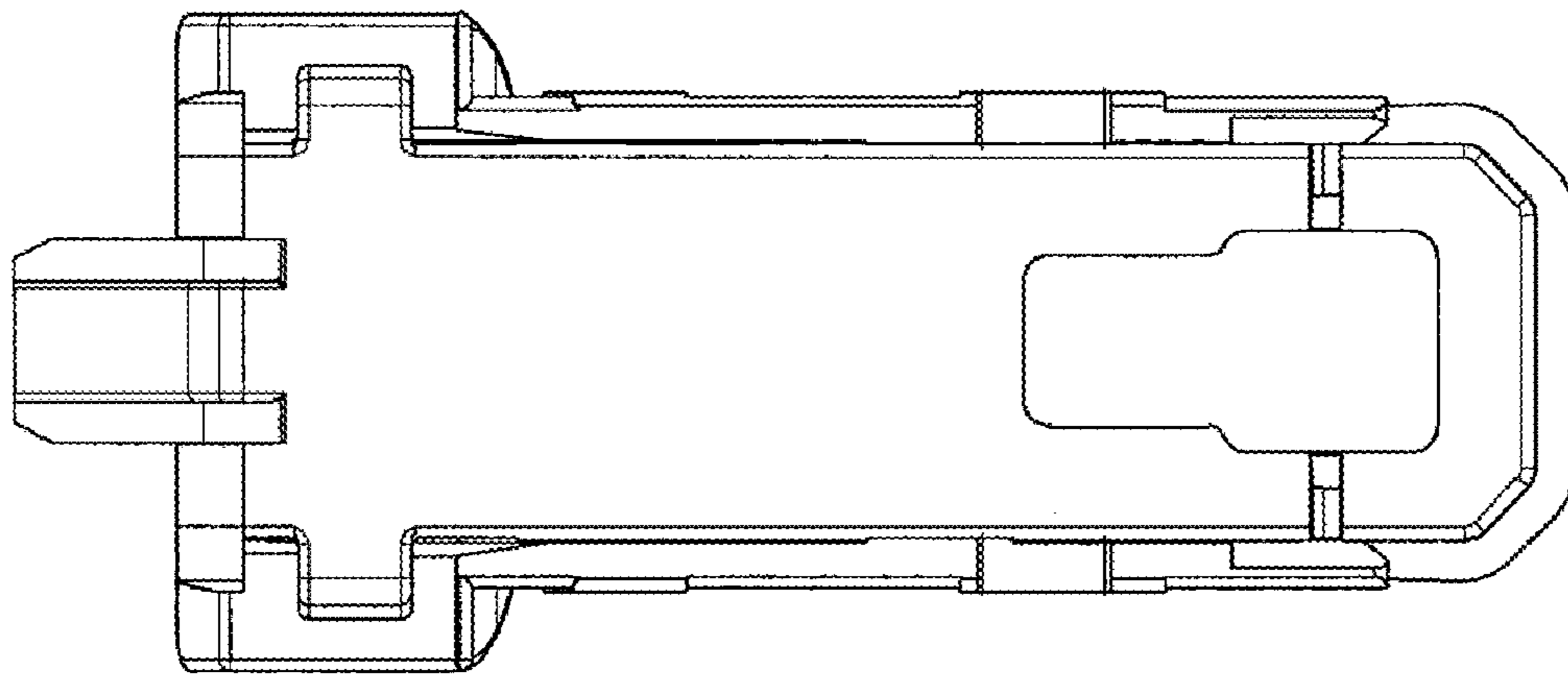


FIG. 6

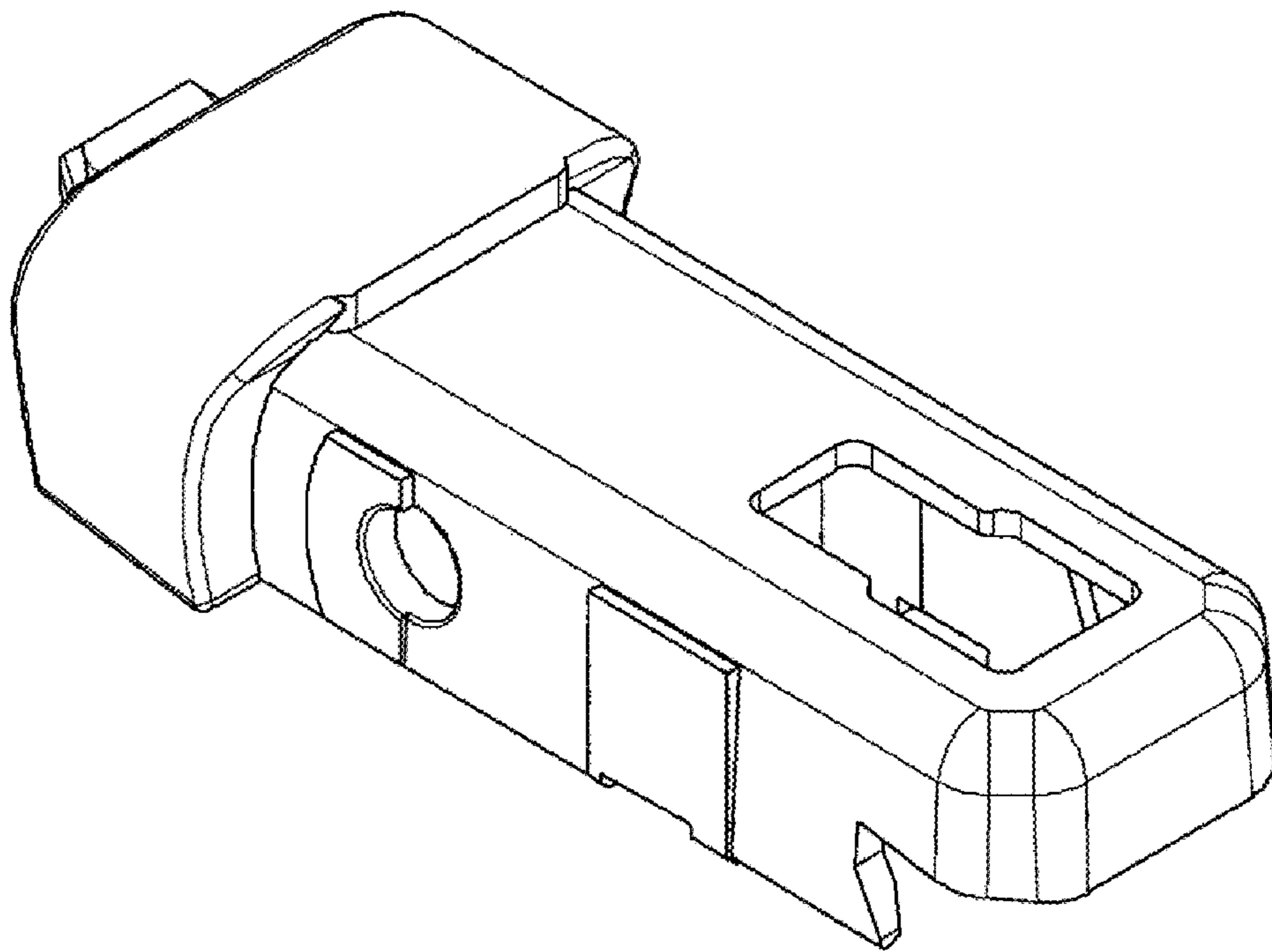


FIG. 7

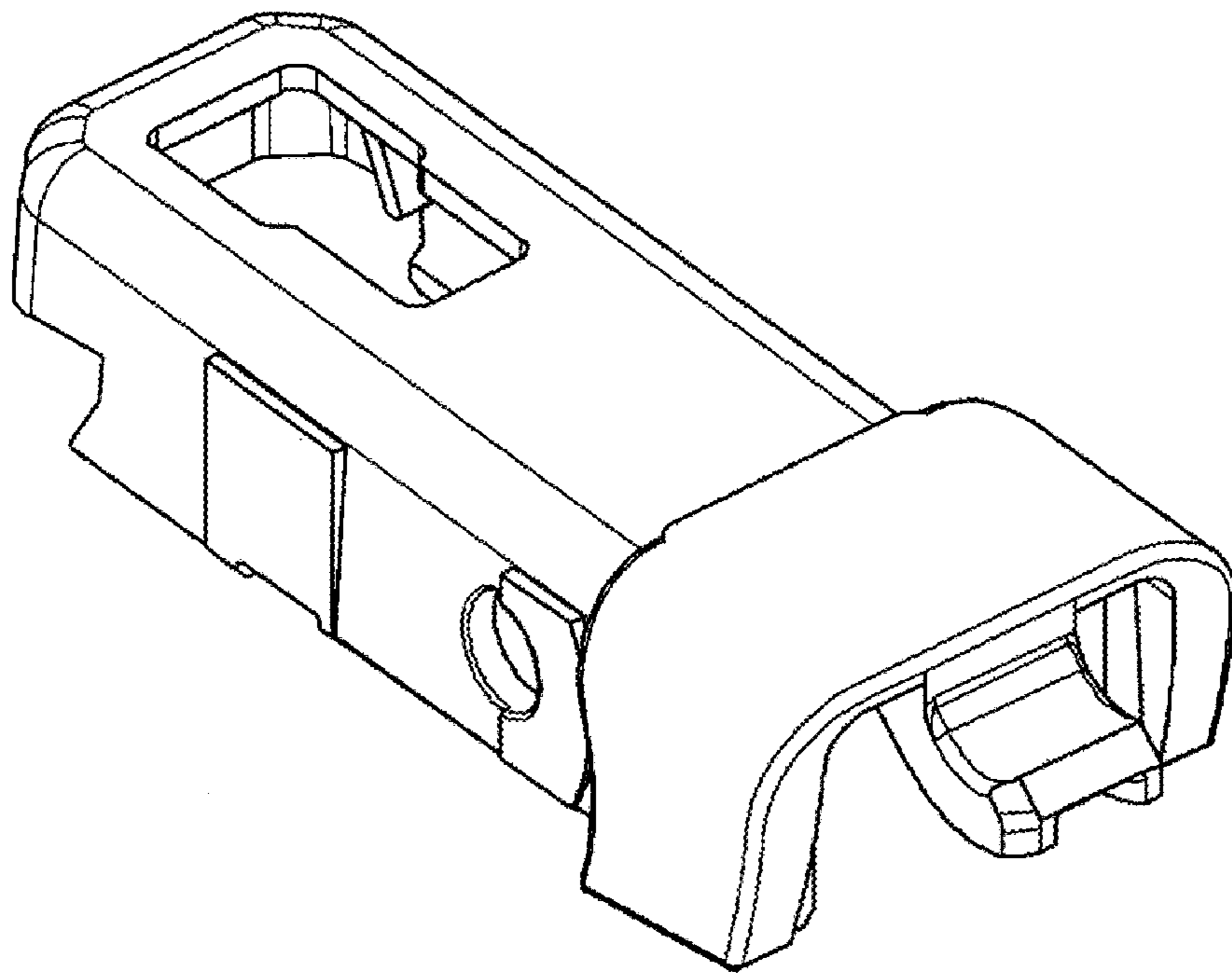


FIG. 8