



US00D665325S

(12) **United States Design Patent**
Kim

(10) **Patent No.:** **US D665,325 S**

(45) **Date of Patent:** **** Aug. 14, 2012**

(54) **WIPER FOR AUTOMOBILES**

(75) Inventor: **In-Kyu Kim**, Ansan-si (KR)

(73) Assignee: **ADM21 Co., Ltd.**, Ansan-si (KR)

(**) Term: **14 Years**

(21) Appl. No.: **29/399,157**

(22) Filed: **Aug. 10, 2011**

(30) **Foreign Application Priority Data**

May 16, 2011 (KR) 30-2011-0019764

(51) **LOC (9) Cl.** **12-06**

(52) **U.S. Cl.** **D12/219**

(58) **Field of Classification Search** D12/219-220;
15/246, 247, 250.001, 250.4, 250.361, 250.19,
15/250.48, 250.03, 250.31-250.33, 250.351,
15/250.38, 250.201, 250.451, 250.458, 250.04,
15/250.07, 250.44

See application file for complete search history.

(56) **References Cited**

U.S. PATENT DOCUMENTS

D443,854 S * 6/2001 De Block D12/219
D511,735 S * 11/2005 Aoyama et al. D12/219
D524,223 S * 7/2006 Nakano et al. D12/219
D555,068 S * 11/2007 Kim D12/219
D556,115 S * 11/2007 Kim D12/219
D556,116 S * 11/2007 Kim D12/219
D556,117 S * 11/2007 Kim D12/219

D556,667 S * 12/2007 Kim D12/219
D568,801 S * 5/2008 Machida et al. D12/219
D571,705 S * 6/2008 Machida et al. D12/219

* cited by examiner

Primary Examiner — Caron D Veynar

Assistant Examiner — Katrina A Betton

(74) *Attorney, Agent, or Firm* — Sughrue Mion, PLLC

(57) **CLAIM**

The ornamental design for a wiper for automobiles, as shown and described.

DESCRIPTION

FIG. 1 is a perspective view of the wiper for automobiles that comprises my invention;

FIG. 2 is a front view thereof;

FIG. 3 is a rear view thereof;

FIG. 4 is a left side view thereof;

FIG. 5 is a right side view thereof;

FIG. 6 is a top plan view thereof;

FIG. 7 is a bottom plan view thereof;

FIG. 8 is an enlarged view of FIG. 4;

FIG. 9 is an enlarged view of FIG. 5;

FIG. 10 is an enlarged view of the portion labeled as "10" in FIG. 6;

FIG. 11 is an enlarged view of the portion labeled as "11" in FIG. 7; and,

FIG. 12 is an enlarged view of the portion labeled as "12" in FIG. 7.

1 Claim, 7 Drawing Sheets



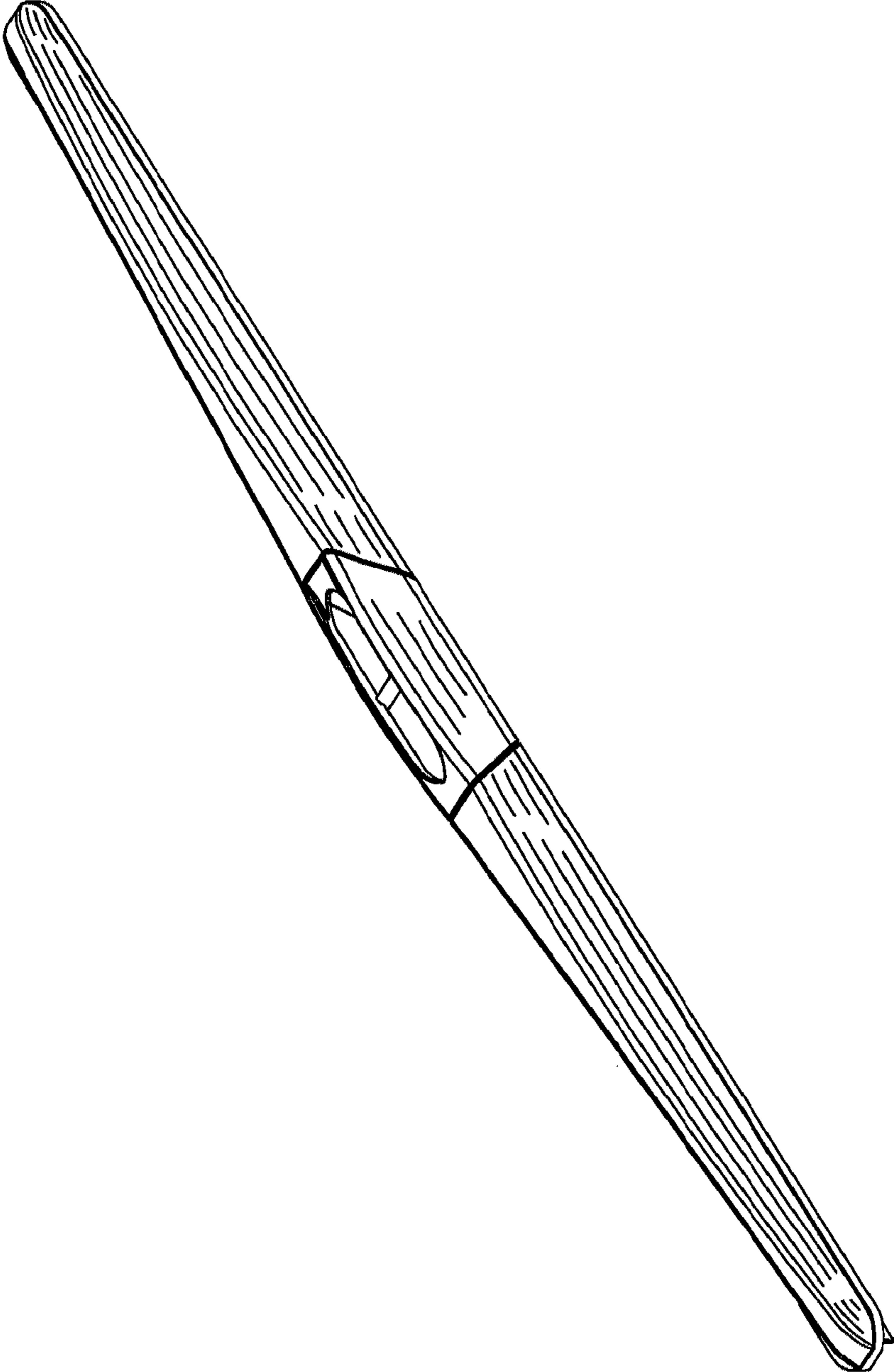


Fig. 1

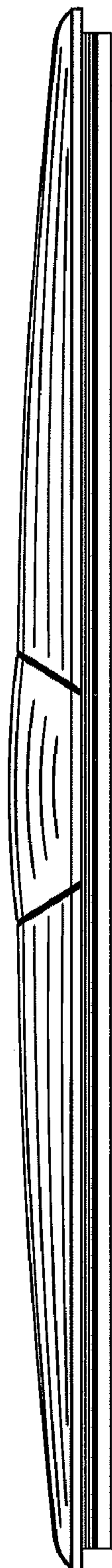


Fig. 2

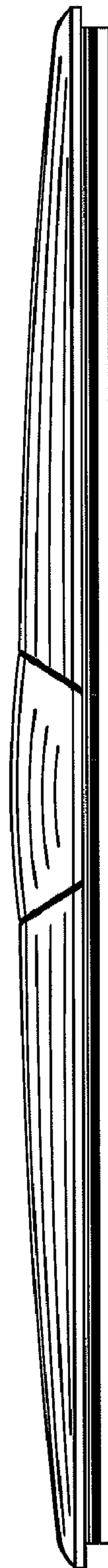


Fig. 3

Fig. 4



Fig. 5



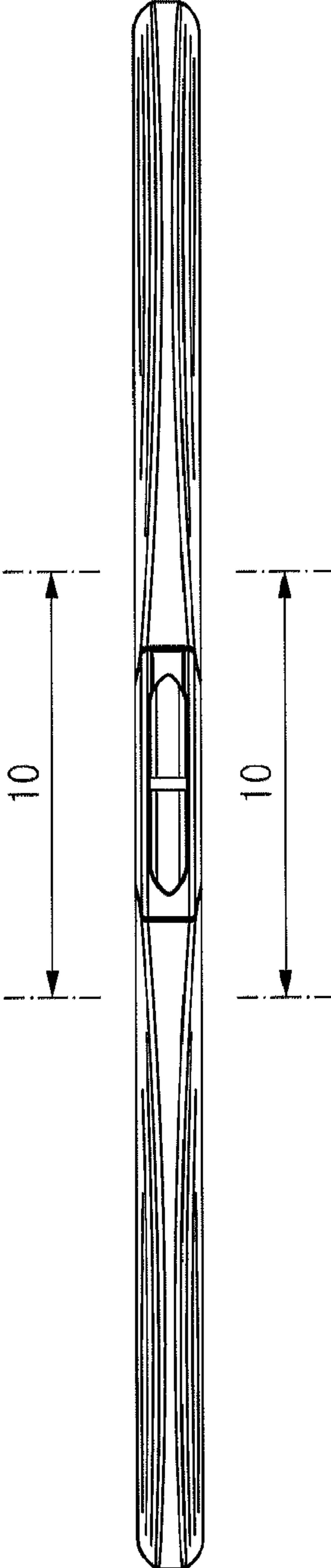


Fig. 6

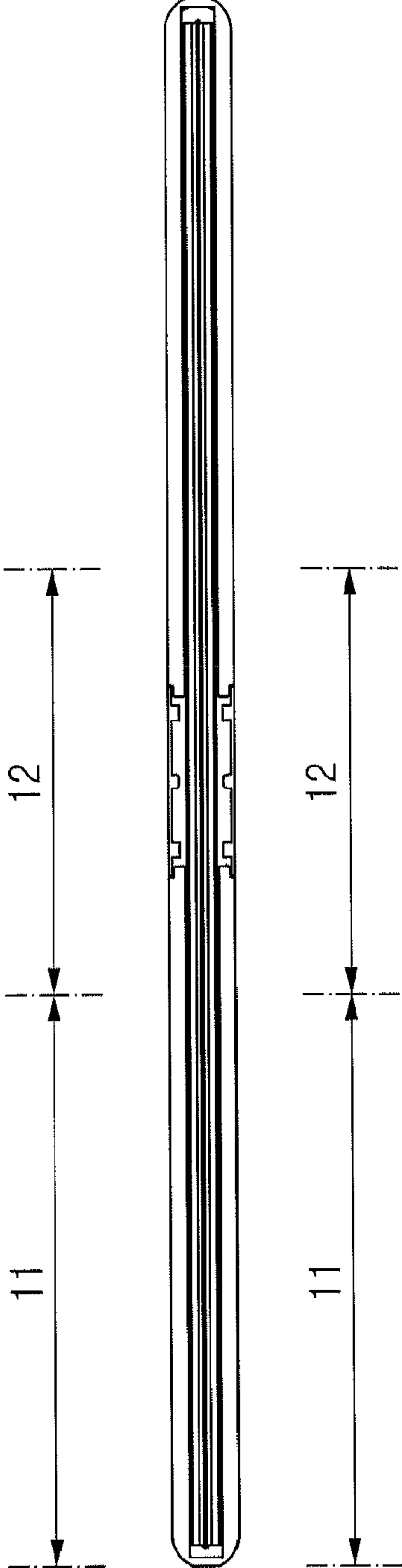


Fig. 7

Fig. 8

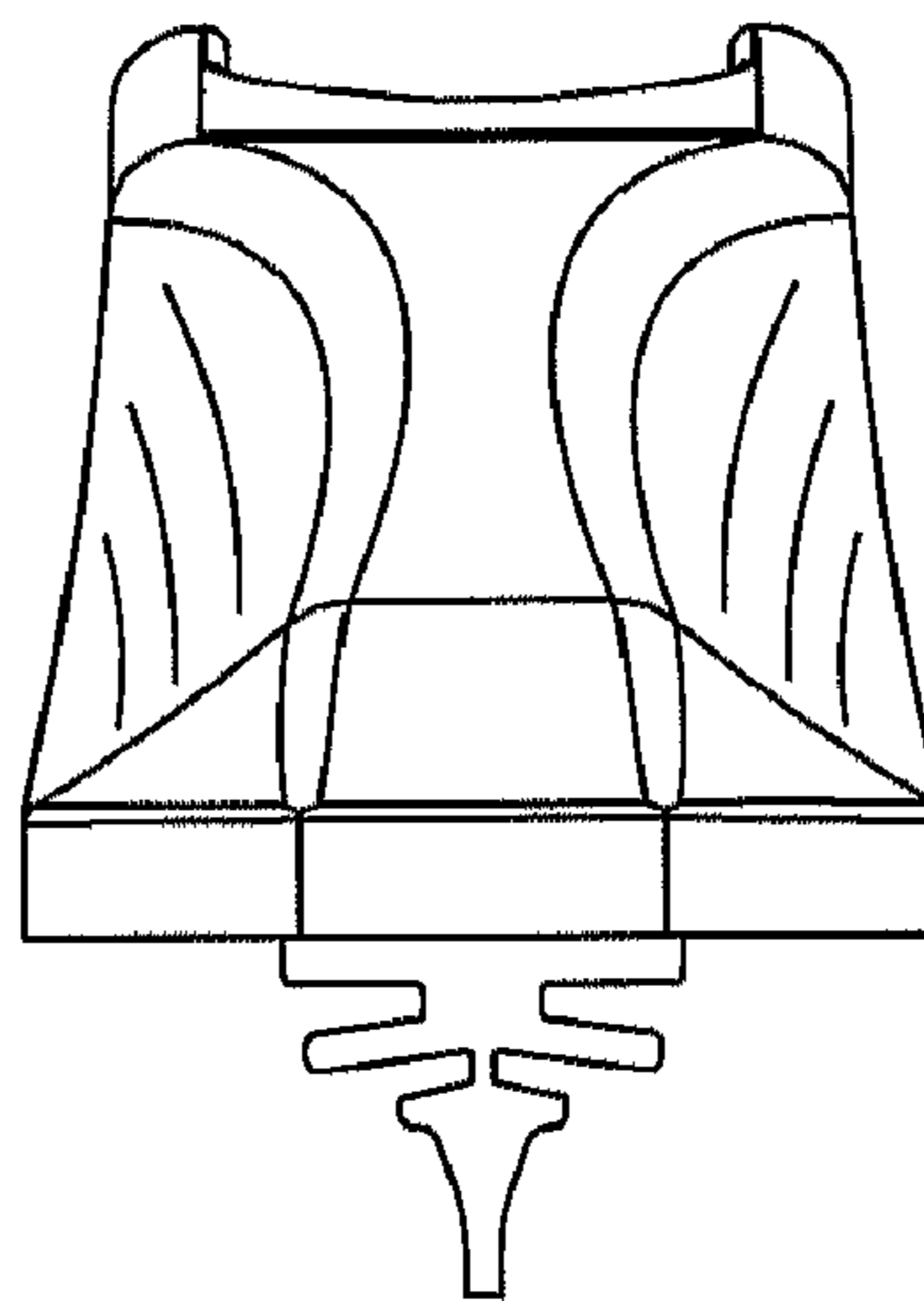


Fig. 9

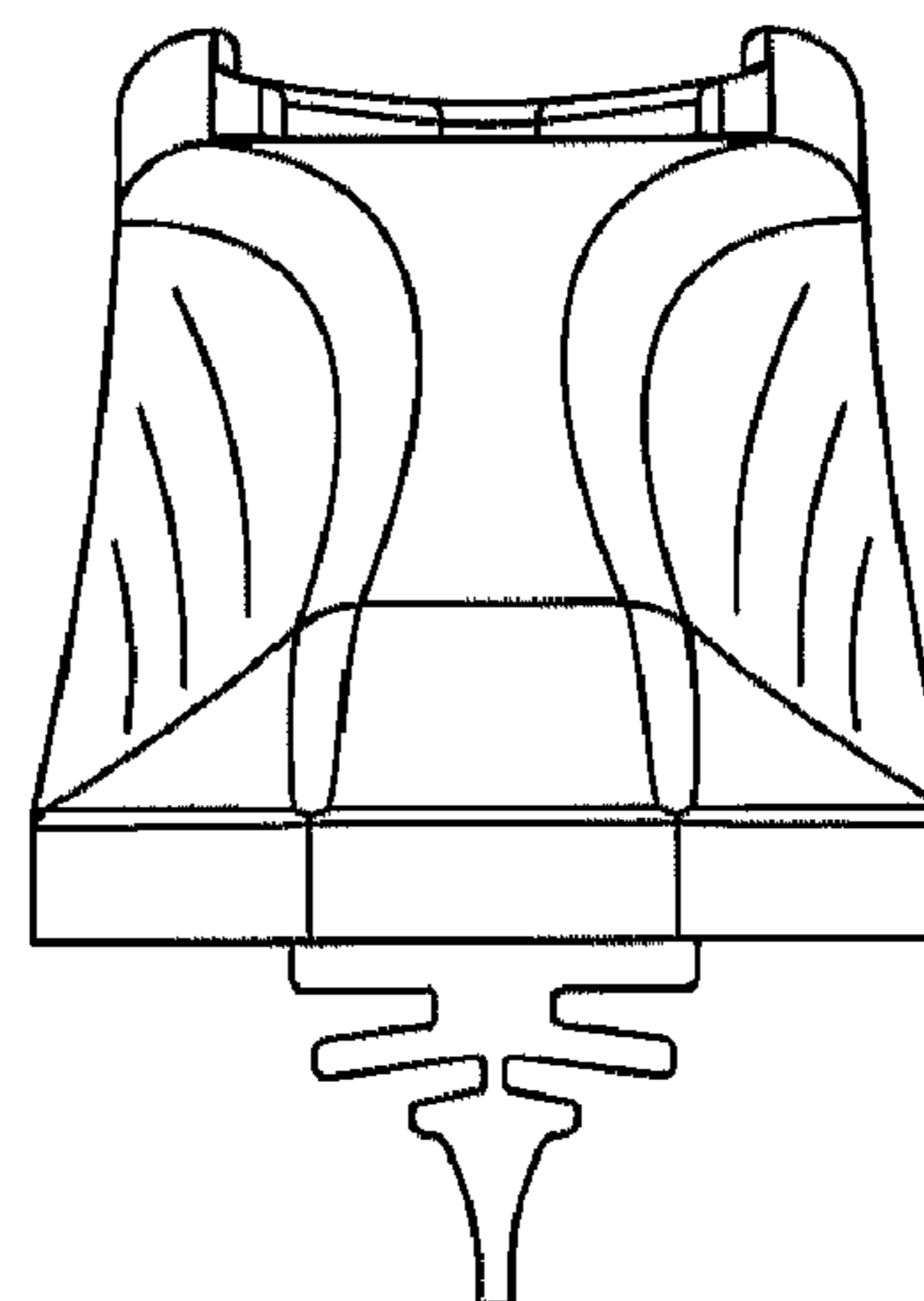


Fig. 10

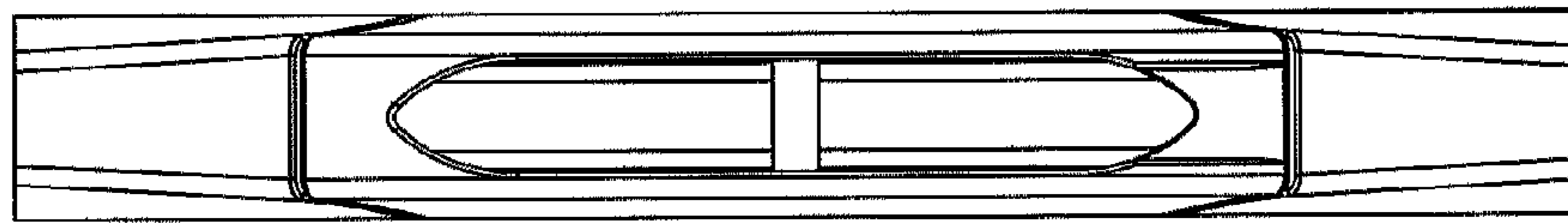


Fig. 11

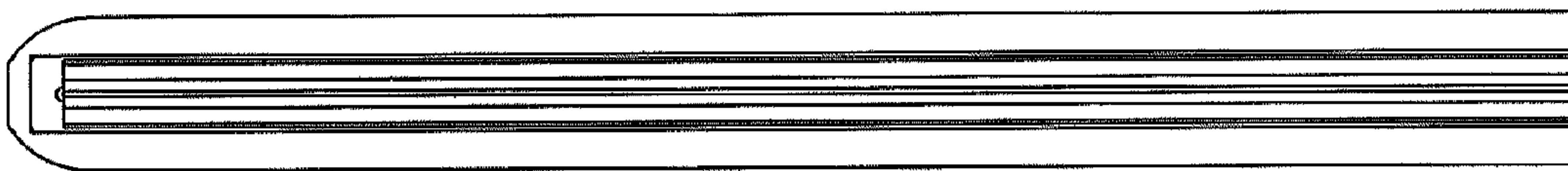


Fig. 12

