

US00D665324S

(12) **United States Design Patent**
Kim

(10) **Patent No.:** **US D665,324 S**

(45) **Date of Patent:** **** Aug. 14, 2012**

(54) **WIPER FOR AUTOMOBILES**

(75) Inventor: **In-Kyu Kim**, Ansan-si (KR)

(73) Assignee: **ADM21 Co., Ltd.**, Ansan-Si (KR)

(**) Term: **14 Years**

(21) Appl. No.: **29/399,156**

(22) Filed: **Aug. 10, 2011**

(30) **Foreign Application Priority Data**

May 16, 2011 (KR) 30-2011-0019762

(51) **LOC (9) Cl.** **12-06**

(52) **U.S. Cl.** **D12/219**

(58) **Field of Classification Search** D12/219-220;
15/246, 247, 250.001, 250.4, 250.361, 250.19,
15/250.48, 250.03, 250.31-250.33, 250.351,
15/250.38, 250.201, 250.451, 250.458, 250.04,
15/250.07, 250.44

See application file for complete search history.

(56) **References Cited**

U.S. PATENT DOCUMENTS

D443,245 S *	6/2001	Kim	D12/219
D487,047 S *	2/2004	Kim	D12/219
D490,763 S *	6/2004	Kim	D12/219
D524,223 S *	7/2006	Nakano et al.	D12/219
D565,493 S *	4/2008	Kim	D12/219
D592,581 S *	5/2009	Kim	D12/219
D593,023 S *	5/2009	Kim	D12/219
D593,480 S *	6/2009	Kim	D12/219
D594,805 S *	6/2009	Kim	D12/219

D594,806 S *	6/2009	Kim	D12/219
D598,359 S *	8/2009	Kim	D12/219
D615,475 S *	5/2010	Corn	D12/317

* cited by examiner

Primary Examiner — Caron D Veynar

Assistant Examiner — Katrina A Betton

(74) *Attorney, Agent, or Firm* — Sughrue Mion, PLLC

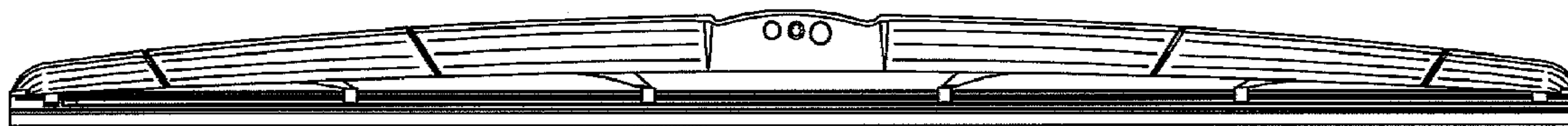
(57) **CLAIM**

The ornamental design for a wiper for automobiles, as shown and described.

DESCRIPTION

FIG. 1 is a perspective view of the wiper for automobiles that comprises my invention;
FIG. 2 is a front view thereof;
FIG. 3 is a rear view thereof;
FIG. 4 is a left side view thereof;
FIG. 5 is a right side view thereof;
FIG. 6 is a top plan view thereof;
FIG. 7 is a bottom plan view thereof;
FIG. 8 is an enlarged view of FIG. 4;
FIG. 9 is an enlarged view of FIG. 5;
FIG. 10 is an enlarged view of the portion labeled as "10" in FIG. 6;
FIG. 11 is an enlarged view of the portion labeled as "11" in FIG. 7; and,
FIG. 12 is an enlarged view of the portion labeled as "12" in FIG. 7.

1 Claim, 7 Drawing Sheets



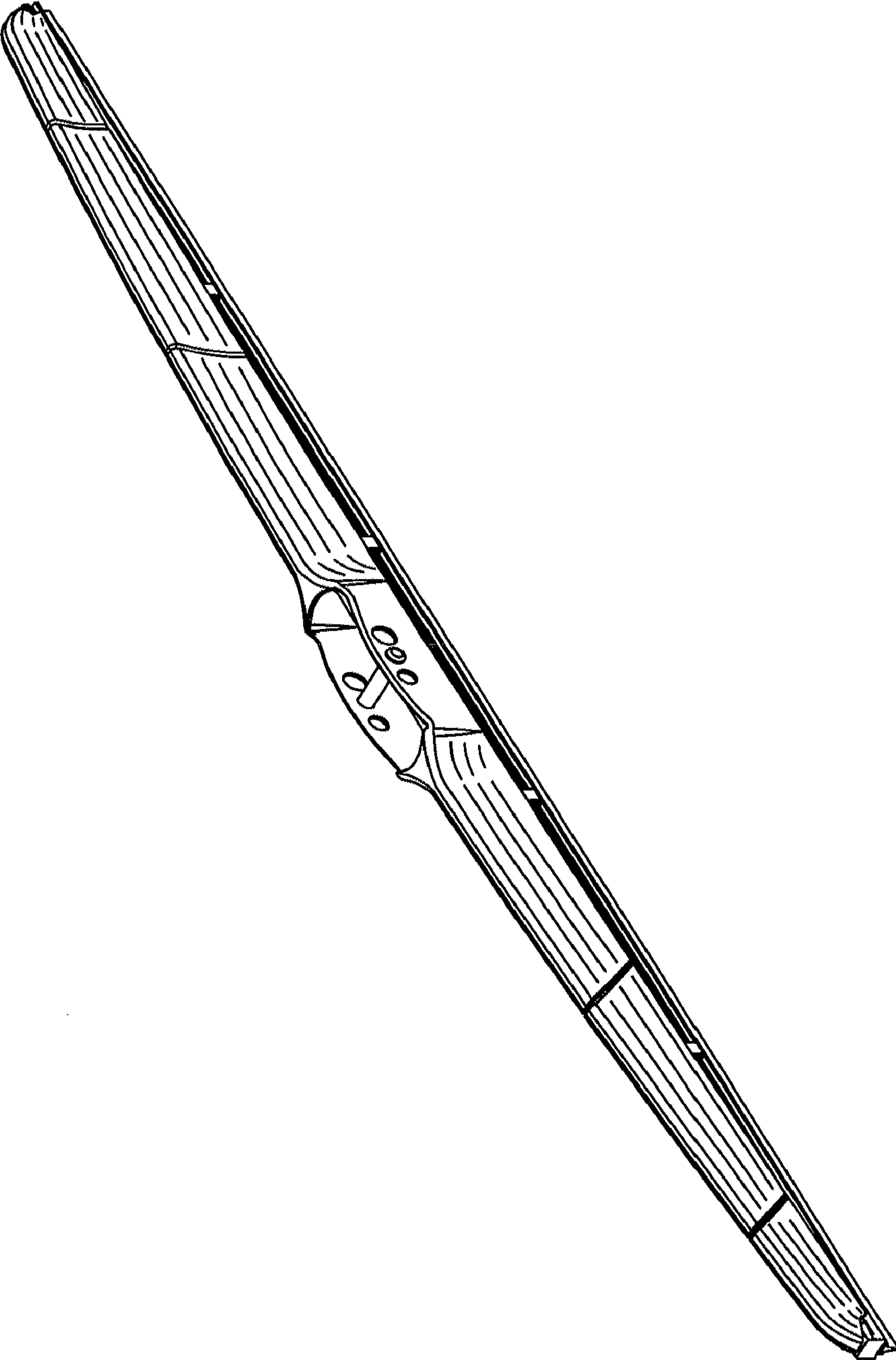


Fig. 1

Fig. 2

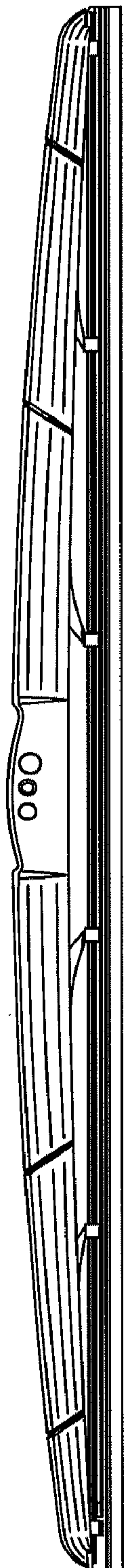


Fig. 3

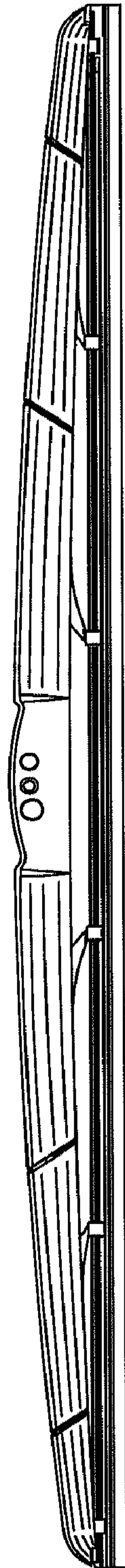


Fig. 4



Fig. 5



Fig. 6

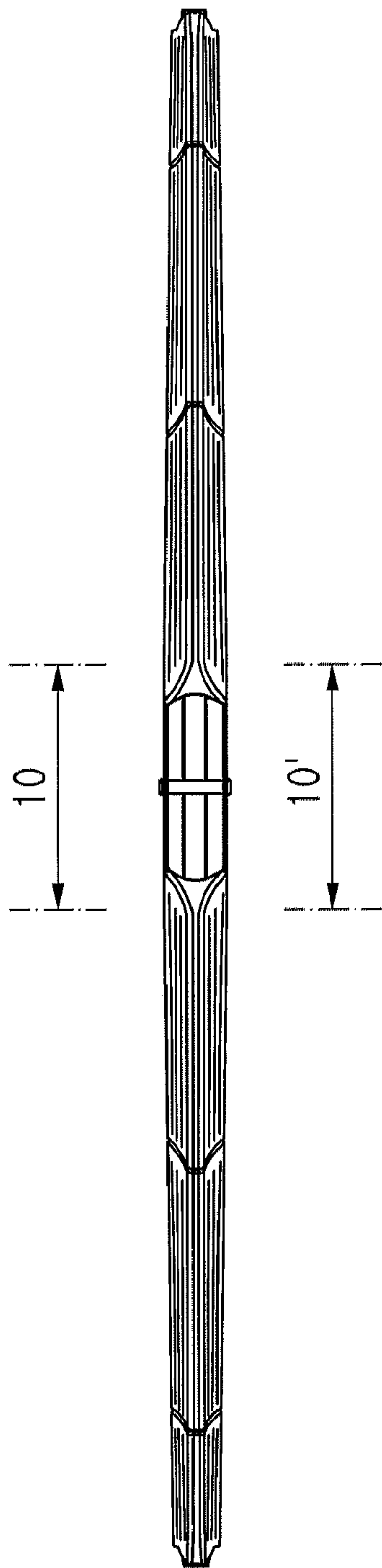


Fig. 7

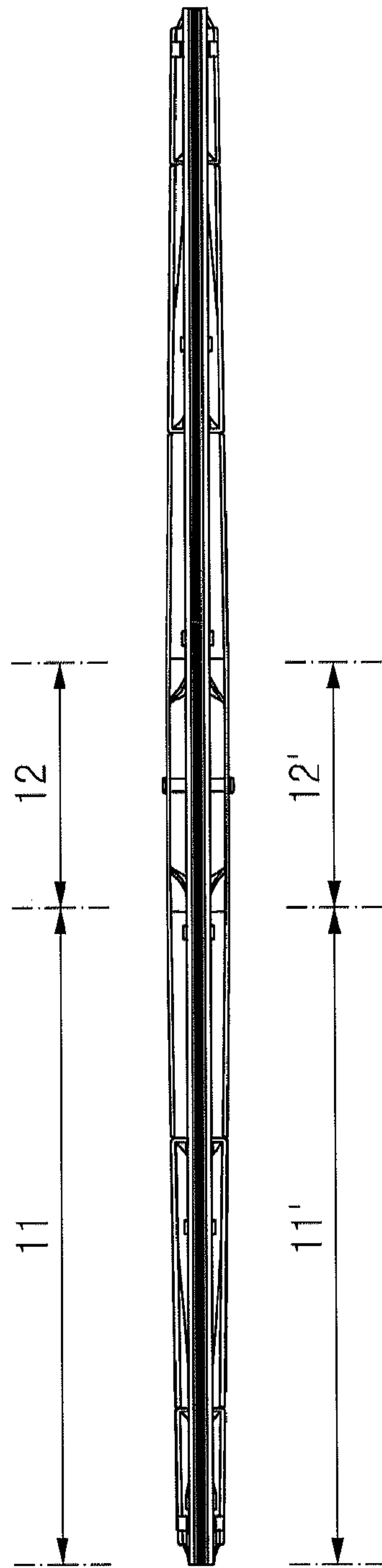


Fig. 8

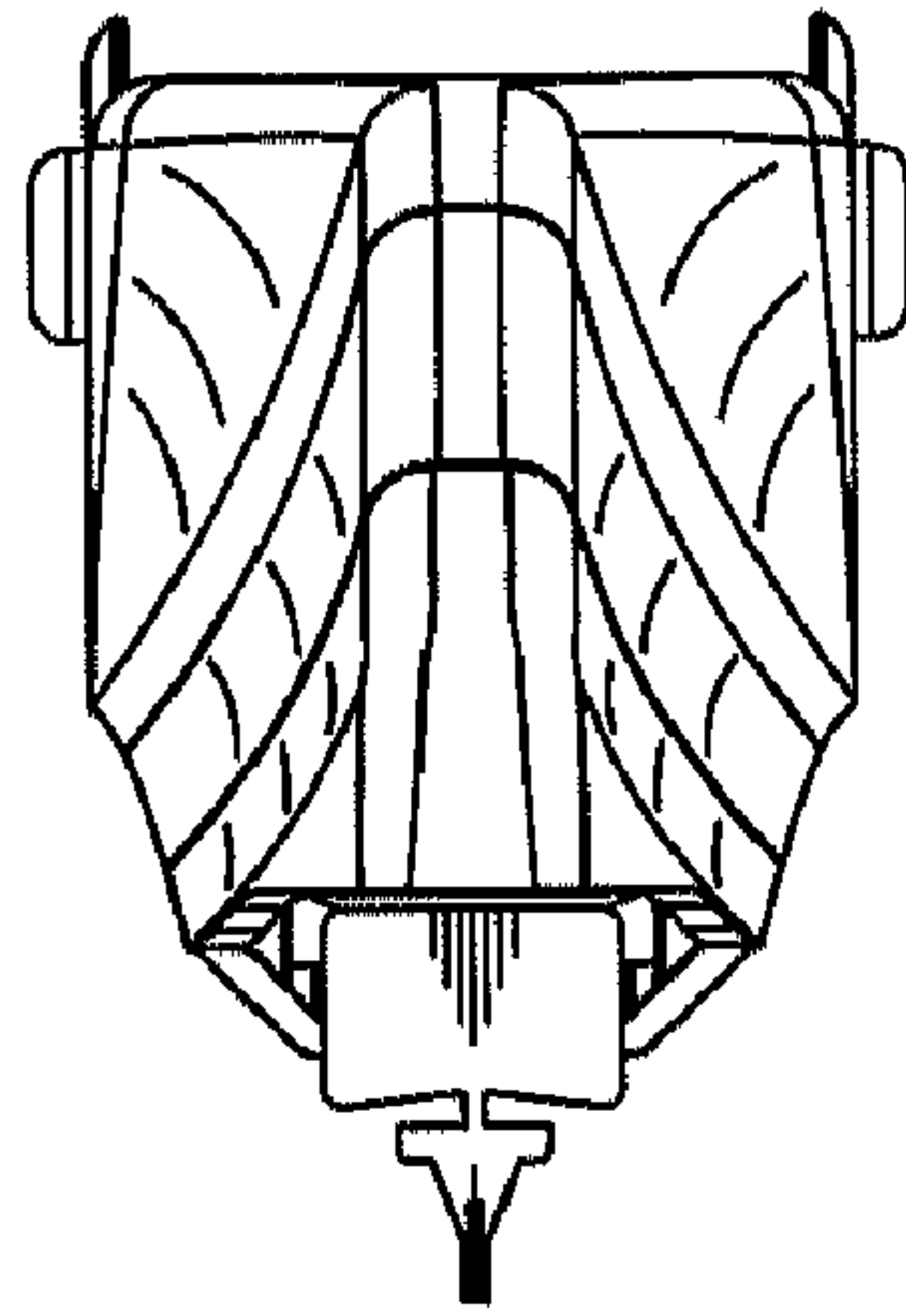


Fig. 9

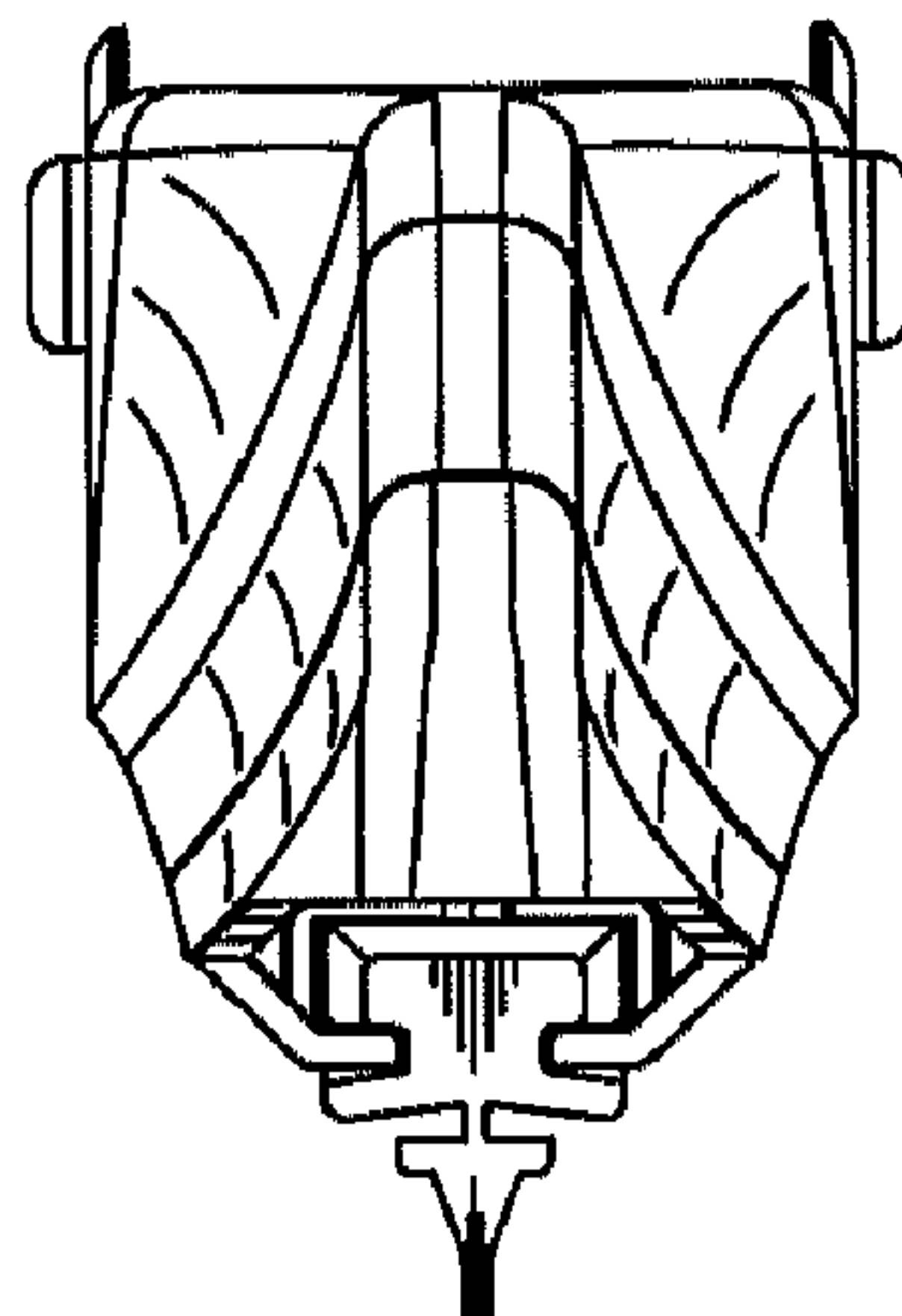


Fig. 10

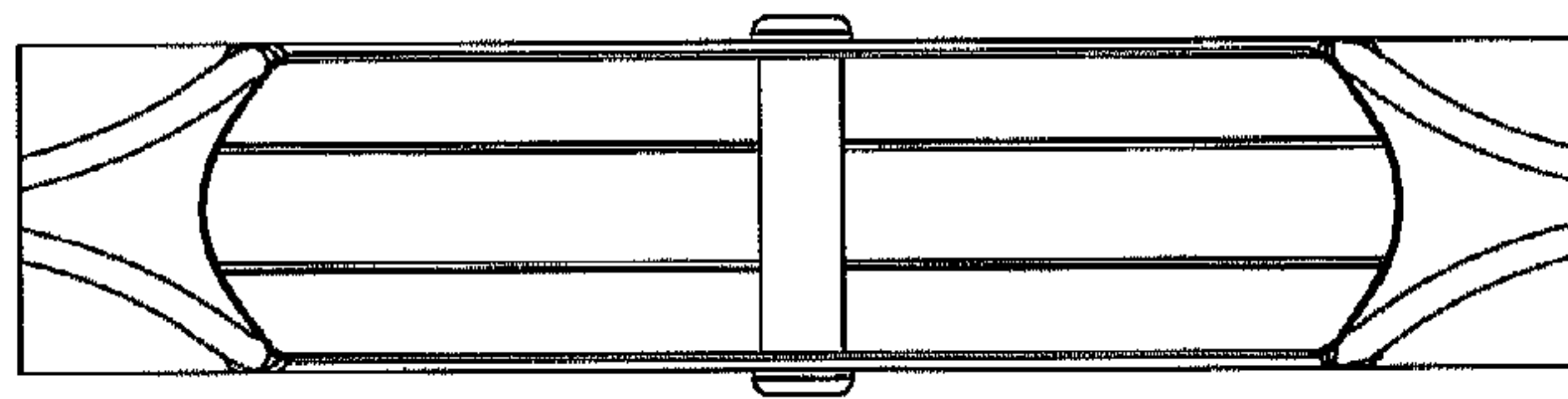


Fig. 11

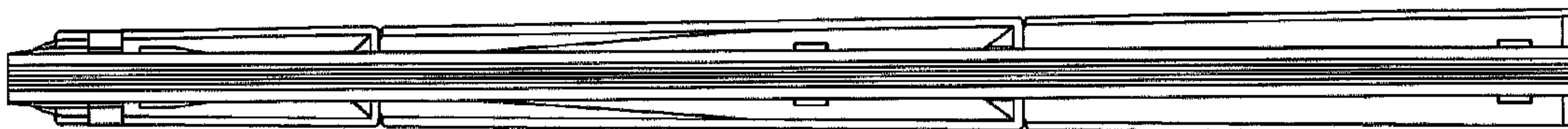


Fig. 12

