



US00D665320S

(12) **United States Design Patent**
Najarro

(10) **Patent No.:** **US D665,320 S**
(45) **Date of Patent:** **** Aug. 14, 2012**

(54) **TAIL PIPE TIP EXTENDERS**

(75) Inventor: **Marco A. Najarro**, San Jose, CA (US)

(73) Assignee: **Donna Medved**, San Jose, CA (US)

(**) Term: **14 Years**

(21) Appl. No.: **29/387,491**

(22) Filed: **Mar. 14, 2011**

(51) **LOC (9) Cl.** **12-16**

(52) **U.S. Cl.** **D12/194**

(58) **Field of Classification Search** D12/194;
D15/5; 293/113; 180/89.2, 296, 309; 181/247-249,
181/264, 282, 239-241, 227, 228; 60/303,
60/313, 323; 130/37-39, 44, 103, 109
See application file for complete search history.

(56) **References Cited**

U.S. PATENT DOCUMENTS

37,193 A * 12/1862 Alsop 42/78
(Continued)

Primary Examiner — Michael A Pratt

(74) *Attorney, Agent, or Firm* — Schneck & Schneck; David Schneck

(57) **CLAIM**

I claim the design for tail pipe tip extenders, as shown.

DESCRIPTION

FIG. 1 is a front perspective view of a tail pipe tip extender in accordance with my design;

FIG. 2 is a rear perspective view of a tail pipe tip extender shown in FIG. 1;

FIG. 3 is a rearward end view of the design shown in FIG. 1;

FIG. 4 is a forward end view of the design shown in FIG. 1;

FIG. 5 is a top view of the design shown in FIG. 1, the bottom view being identical;

FIG. 6 is a left side view of the design shown in FIG. 1, the right side view being identical;

FIG. 7 is a top view of an alternate embodiment of the design shown in FIG. 1, the bottom view being identical, with the rearward and forward end views being the same as in FIGS. 3 and 4, respectively;

FIG. 8 is a left side view of the design shown in FIG. 7, the right side view being identical;

FIG. 9 is a front perspective view of an alternate embodiment of the design shown in FIG. 1;

FIG. 10 is a rear perspective view of the alternate embodiment of the design shown in FIG. 9;

FIG. 11 is a rearward end view of the design shown in FIG. 9;

FIG. 12 is a forward end view of the design shown in FIG. 9;

FIG. 13 is a top view of the design shown in FIG. 9, the bottom view being identical;

FIG. 14 is a left side view of the design shown in FIG. 9, the right side view being identical;

FIG. 15 is a top view of an alternate embodiment of the design shown in FIG. 9, the bottom view being identical, with the rearward and forward end views being the same as in FIGS. 11 and 12, respectively;

FIG. 16 is a left side view of the design shown in FIG. 15, the right side view being identical;

FIG. 17 is a front perspective view of an alternate embodiment of the design shown in FIG. 1;

FIG. 18 is a rear perspective view of the alternate embodiment of the design shown in FIG. 17;

FIG. 19 is a rearward end view of the design shown in FIG. 17;

FIG. 20 is a forward end view of the design shown in FIG. 17;

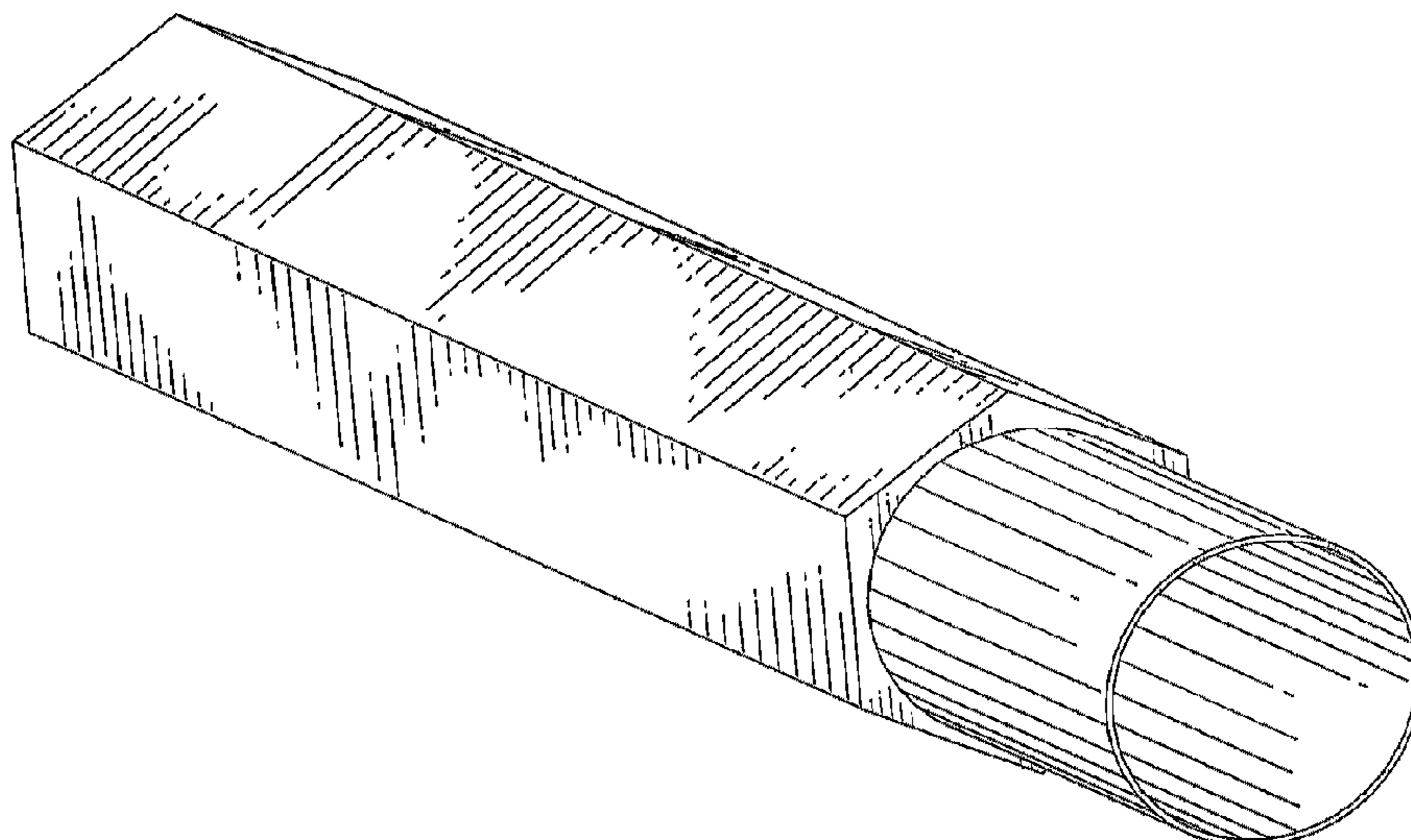
FIG. 21 is a top view of the design shown in FIG. 17, the bottom view being identical;

FIG. 22 is a left side view of the design shown in FIG. 17, the right side view being identical;

FIG. 23 is a top view of an alternate embodiment of the design shown in FIG. 17, the bottom view being identical, with the rearward and forward end views being the same as in FIGS. 19 and 20, respectively; and,

FIG. 24 is a left side view of the design shown in FIG. 23, the right side view being identical.

1 Claim, 6 Drawing Sheets



US D665,320 S

Page 2

U.S. PATENT DOCUMENTS

| | | | | | | | | | | | | | |
|-----------|---|---|---------|---------------|-------|----------|--------------|----|---|---------|--------------------|-------|-----------|
| D163,955 | S | * | 7/1951 | McCartney | | D12/194 | 6,519,851 | B2 | * | 2/2003 | Bonny et al. | | 29/890.08 |
| D165,985 | S | * | 2/1952 | Kootner | | D12/194 | 6,708,485 | B2 | * | 3/2004 | Hinder et al. | | 60/288 |
| 4,116,491 | A | * | 9/1978 | Ply | | 406/89 | D642,648 | S | * | 8/2011 | Oliver | | D22/108 |
| 4,964,192 | A | * | 10/1990 | Marui | | 16/421 | 2006/0070554 | A1 | * | 4/2006 | Braunreiter et al. | | 106/711 |
| 6,058,605 | A | * | 5/2000 | Binder et al. | | 29/897.2 | 2011/0232243 | A1 | * | 9/2011 | De Rovere et al. | | 55/495 |
| D468,673 | S | * | 1/2003 | Horowitz | | D12/194 | 2011/0314780 | A1 | * | 12/2011 | Gonzalez et al. | | 55/490 |

* cited by examiner

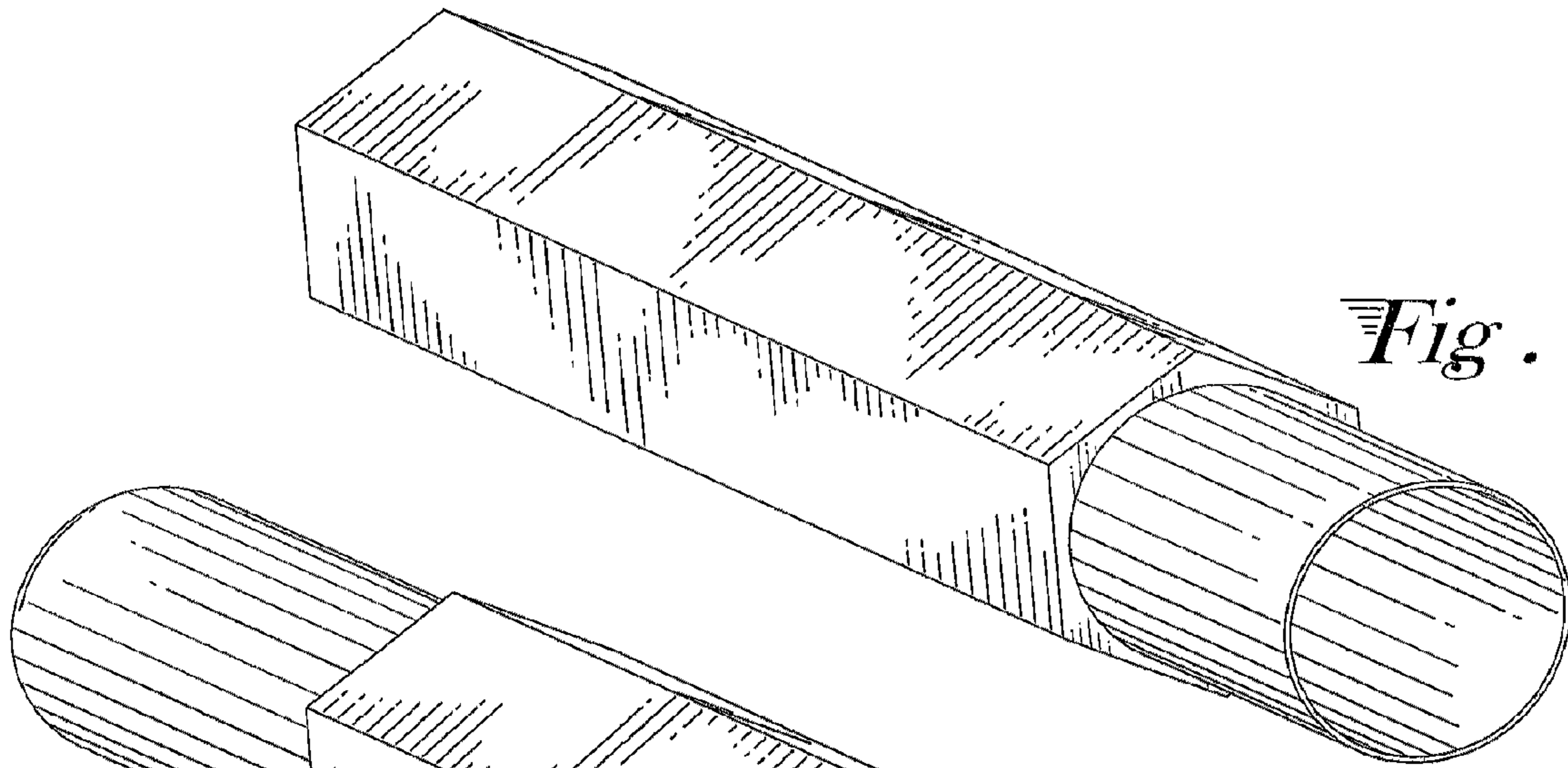


Fig. 1

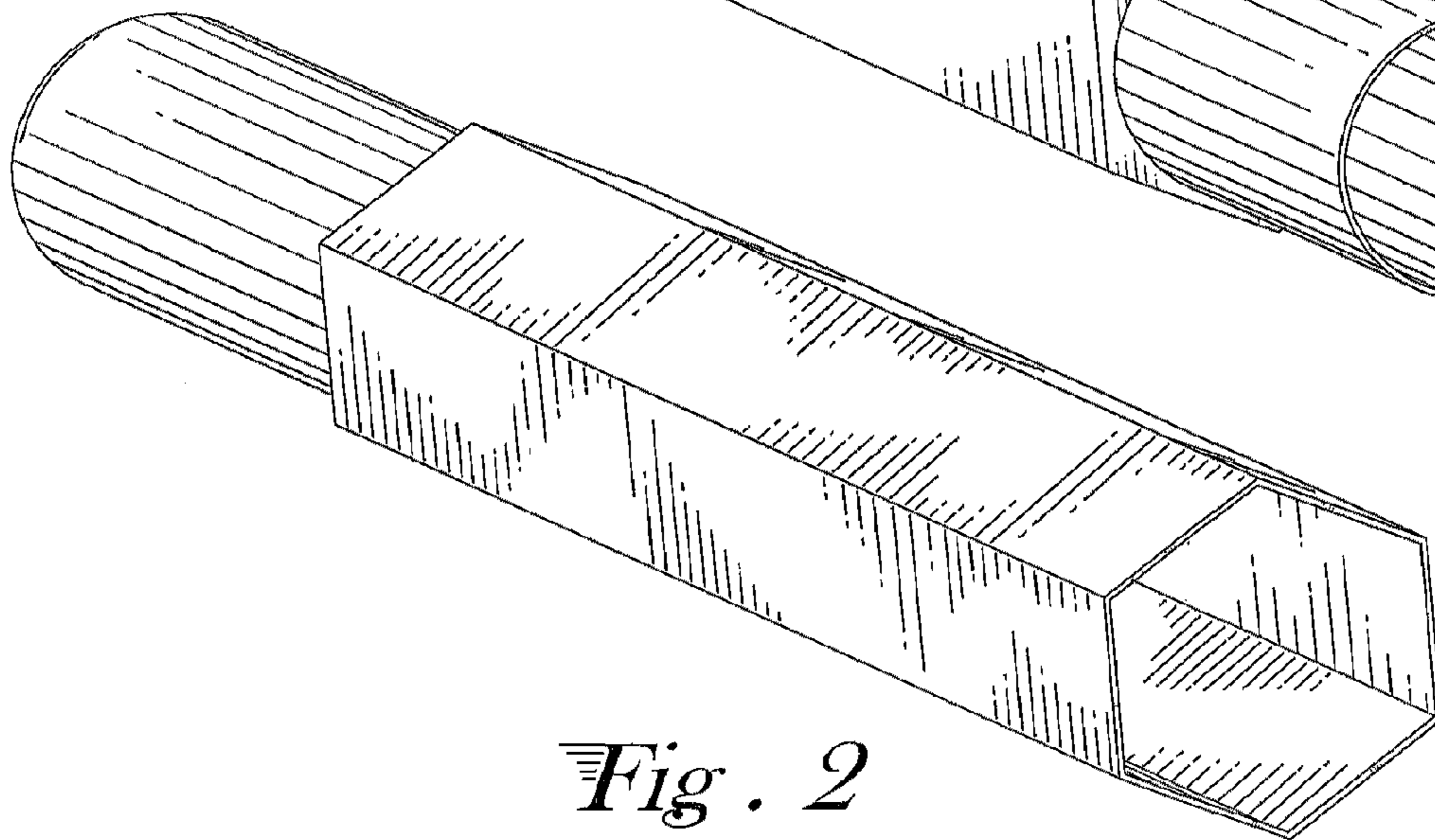


Fig. 2

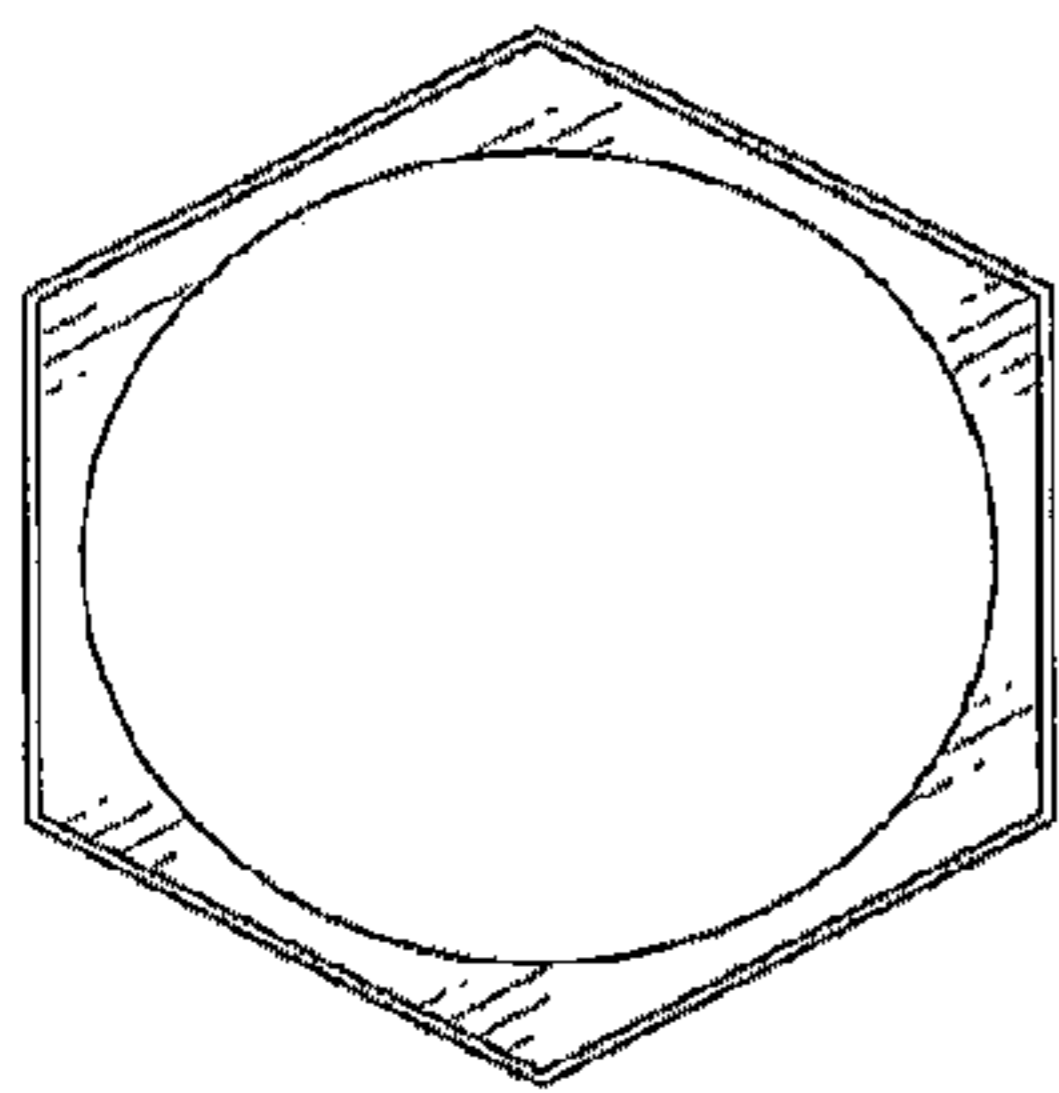


Fig. 3

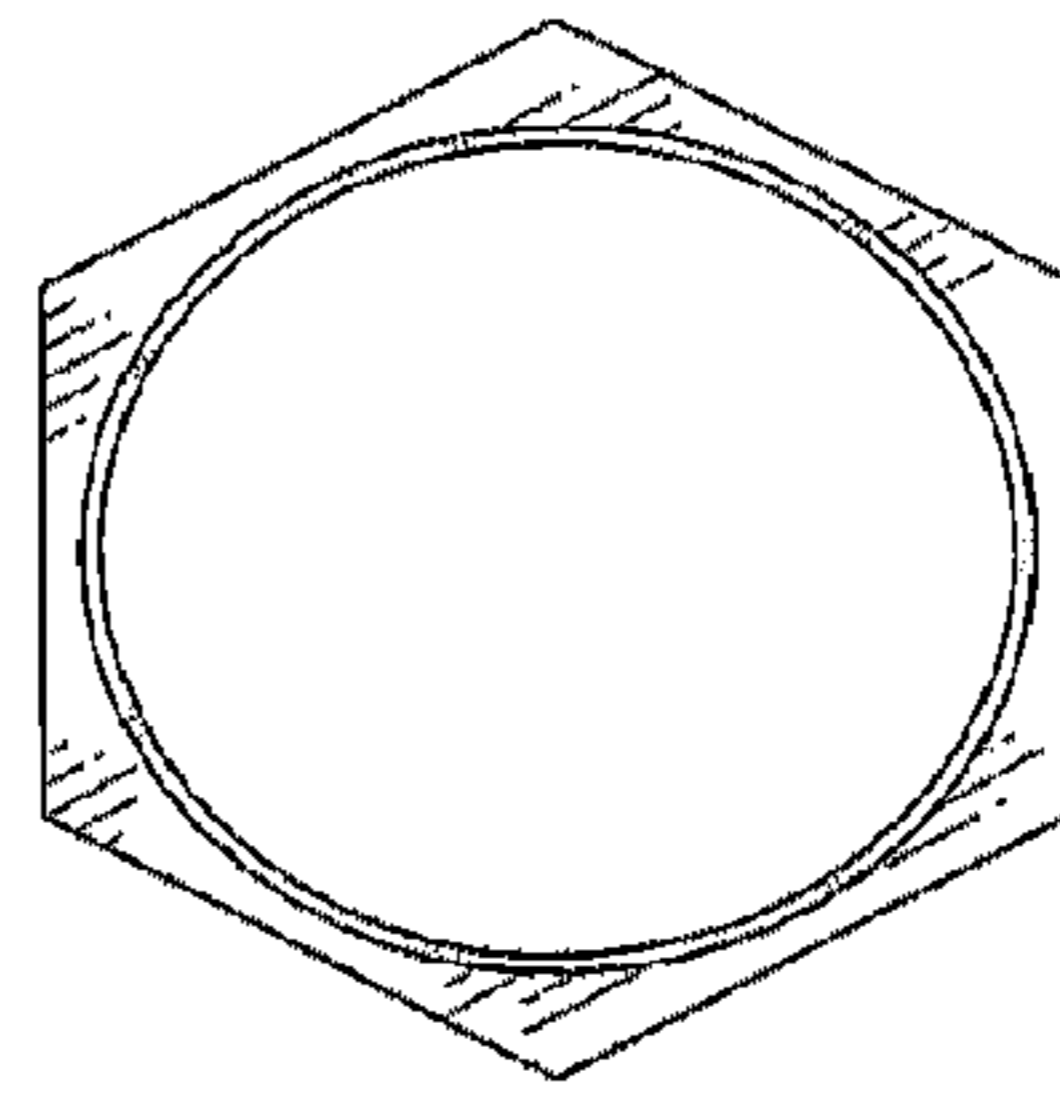


Fig. 4

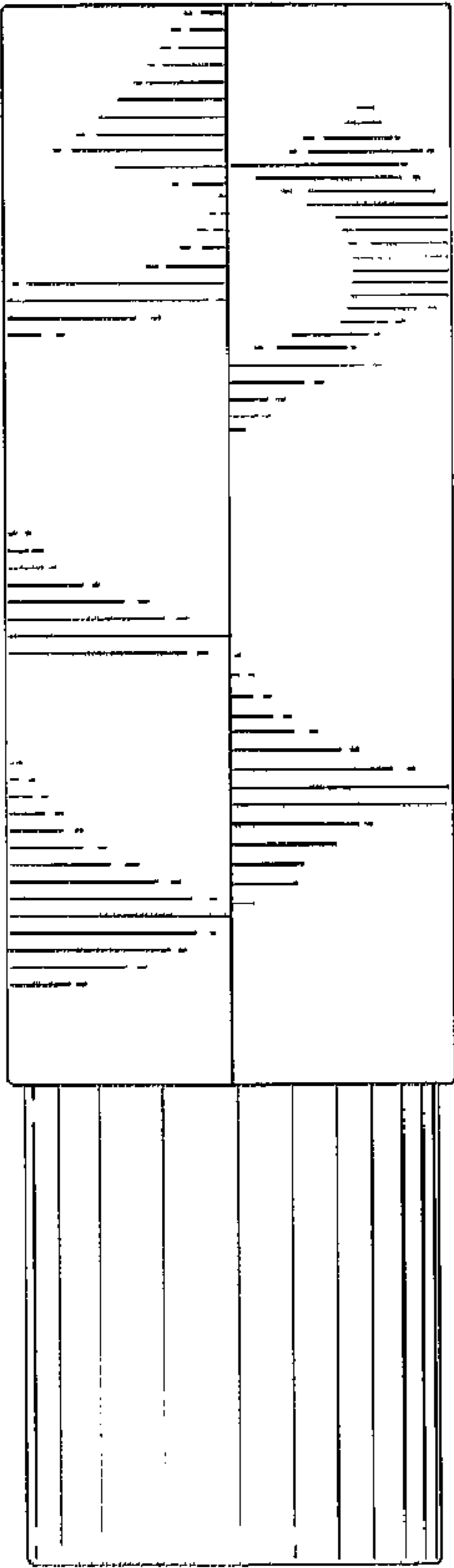


Fig. 5

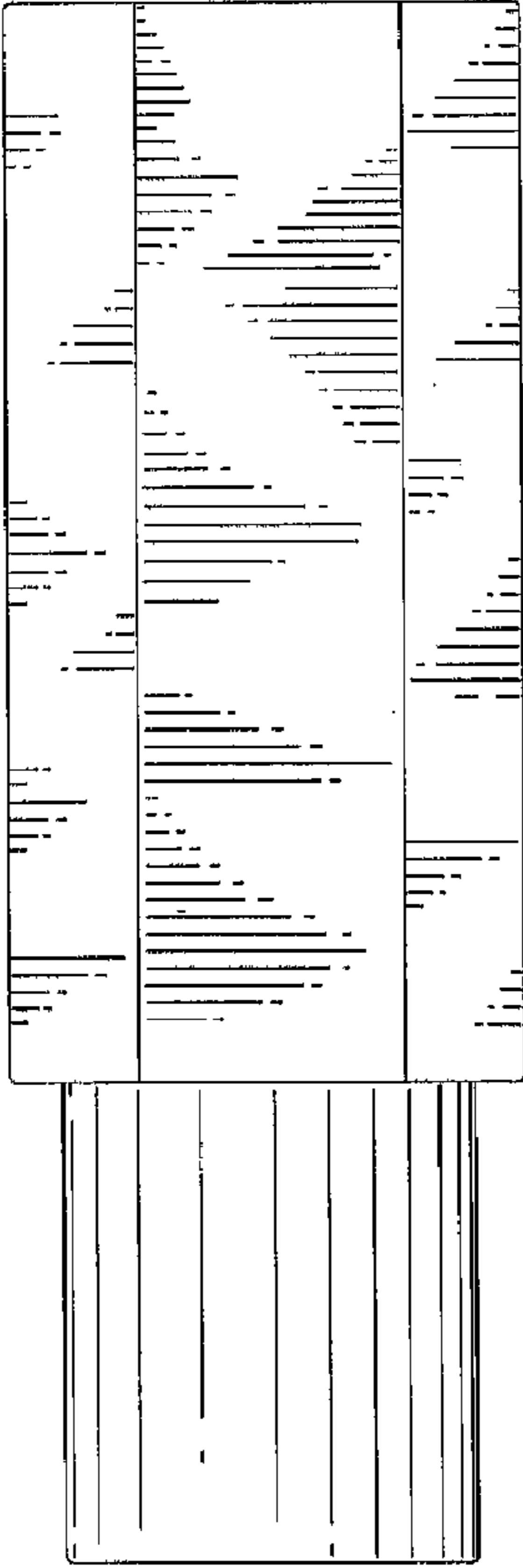


Fig. 6

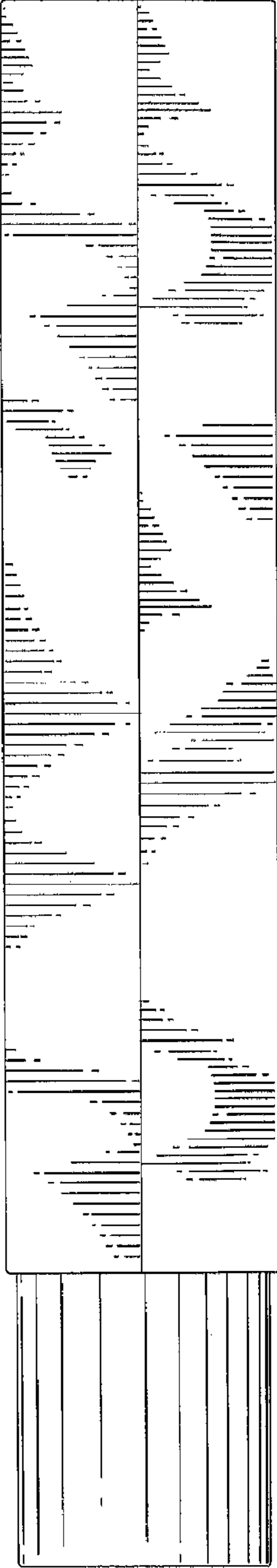


Fig. 7

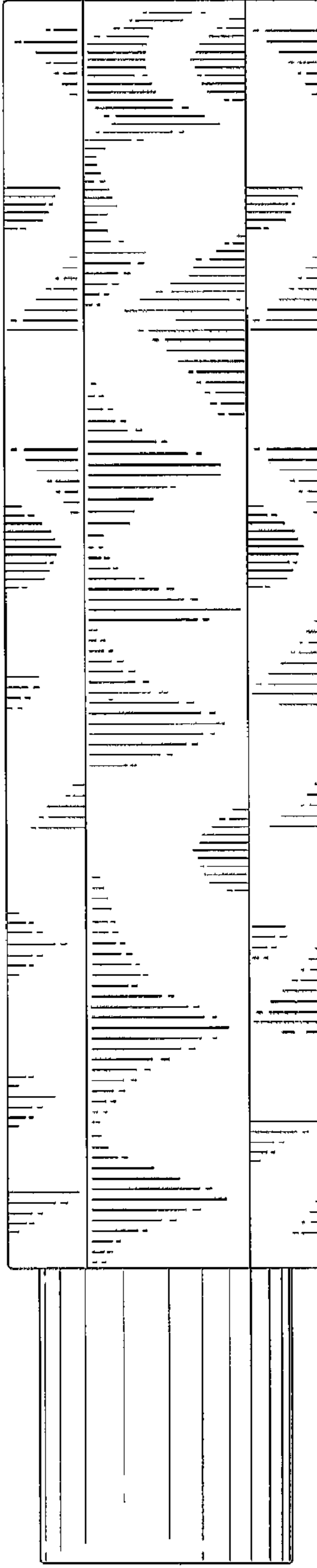
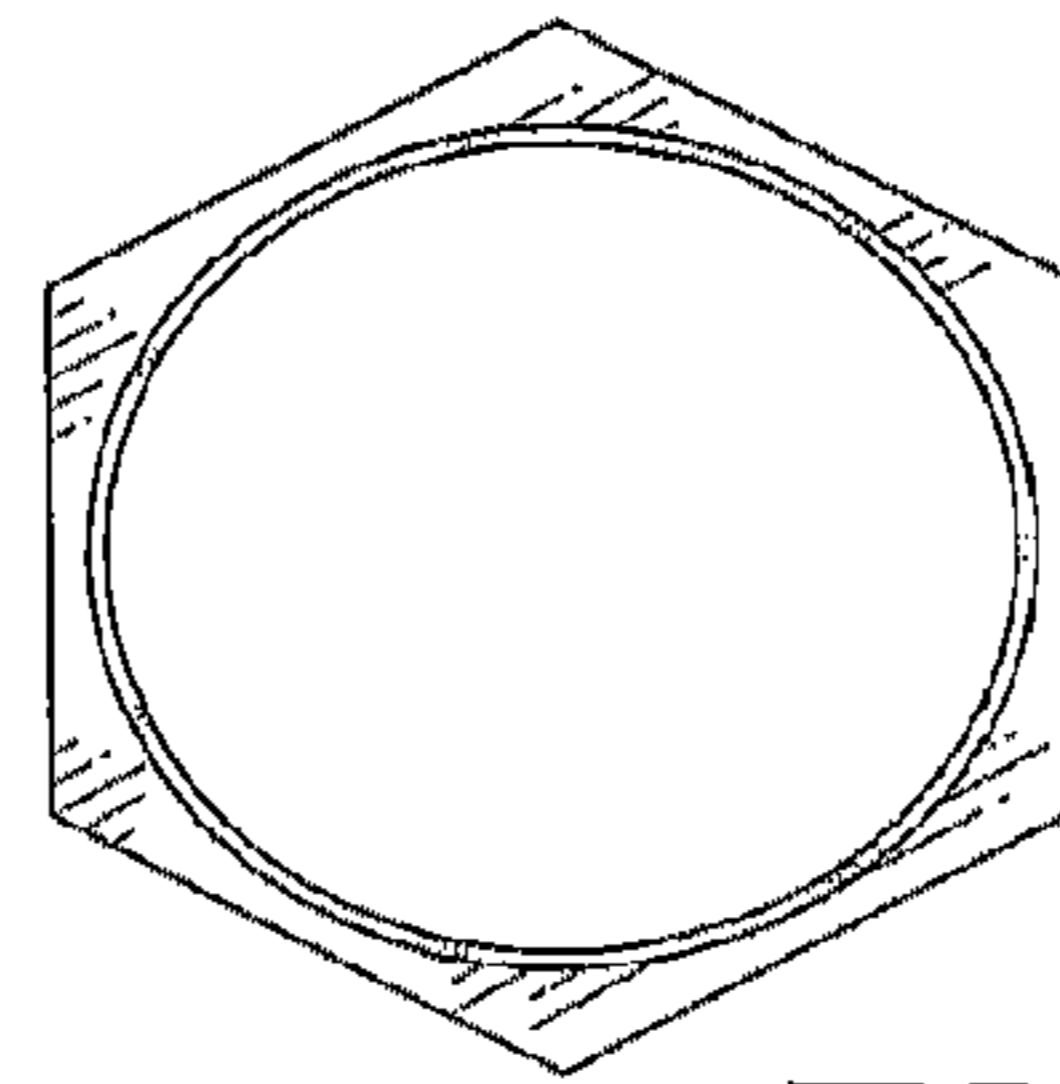
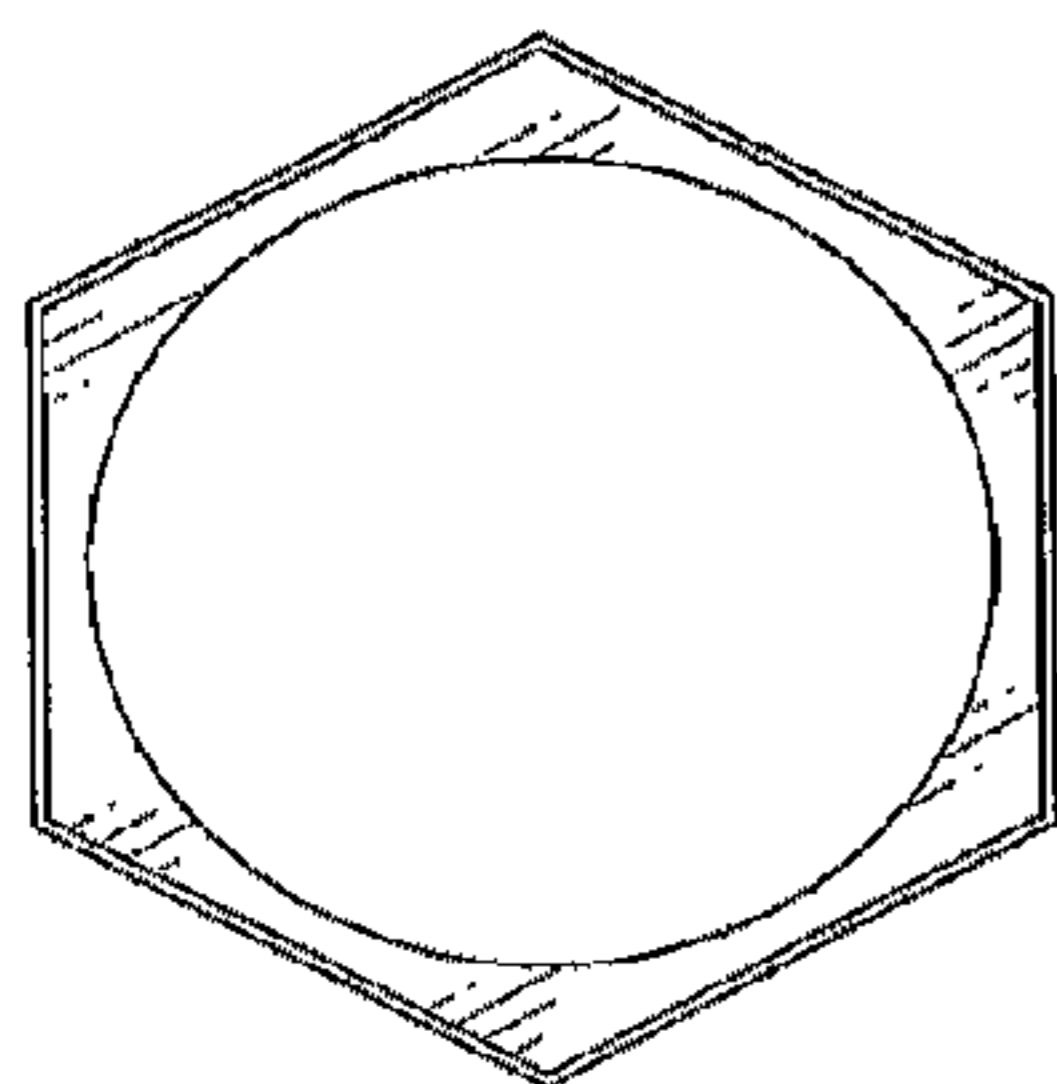
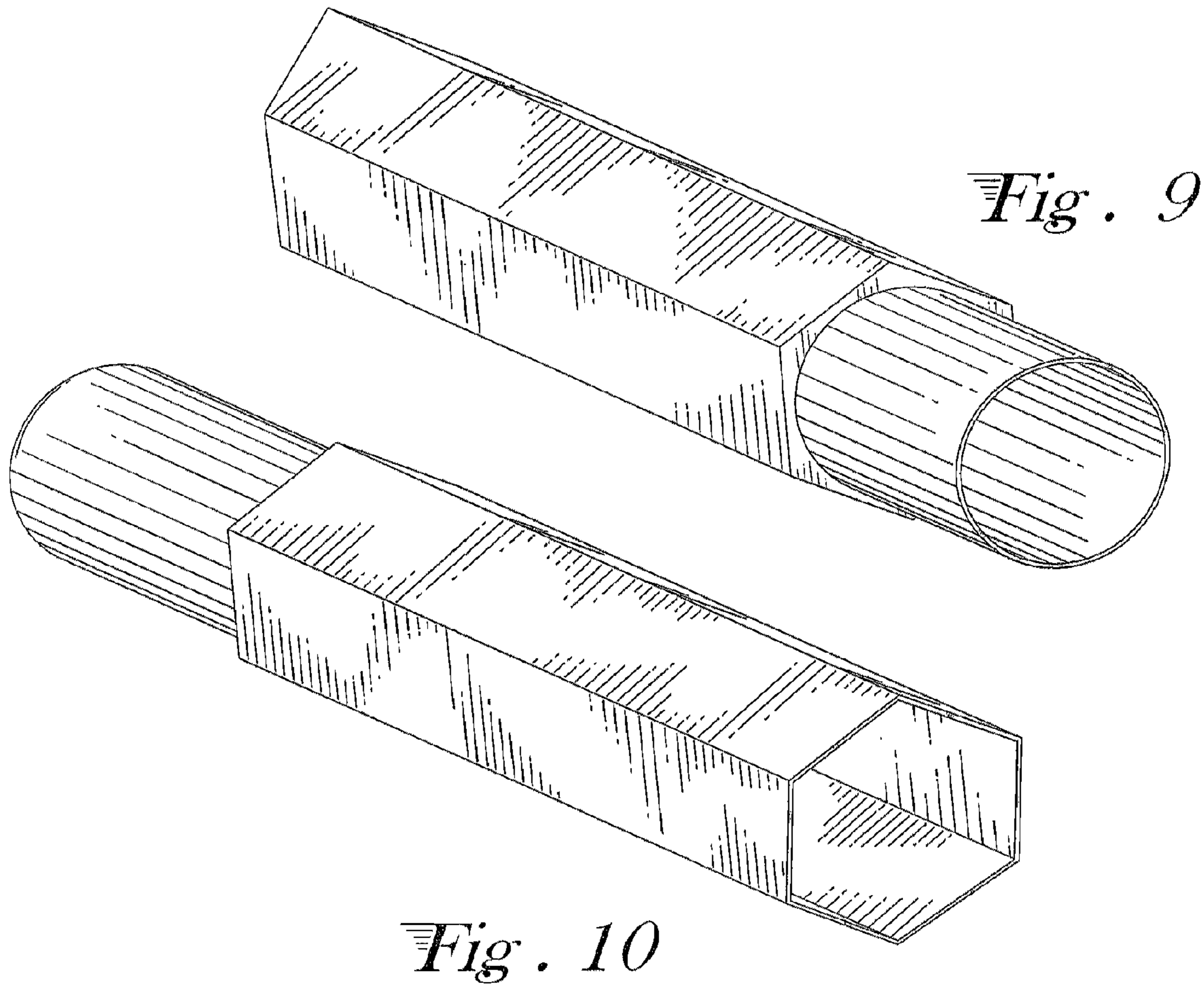


Fig. 8



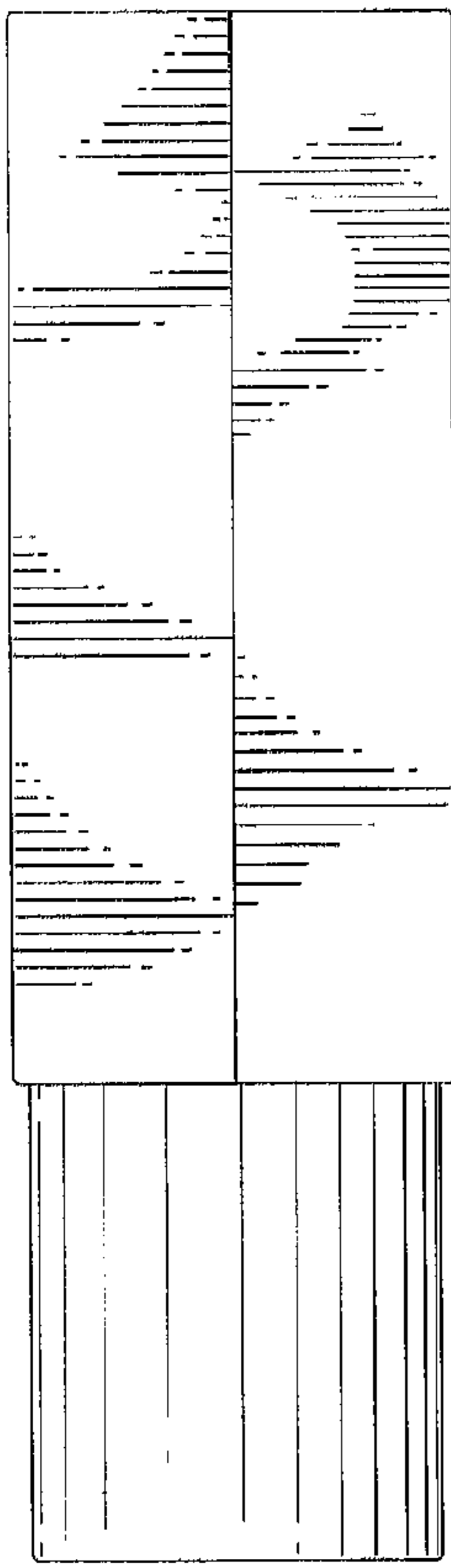


Fig. 13

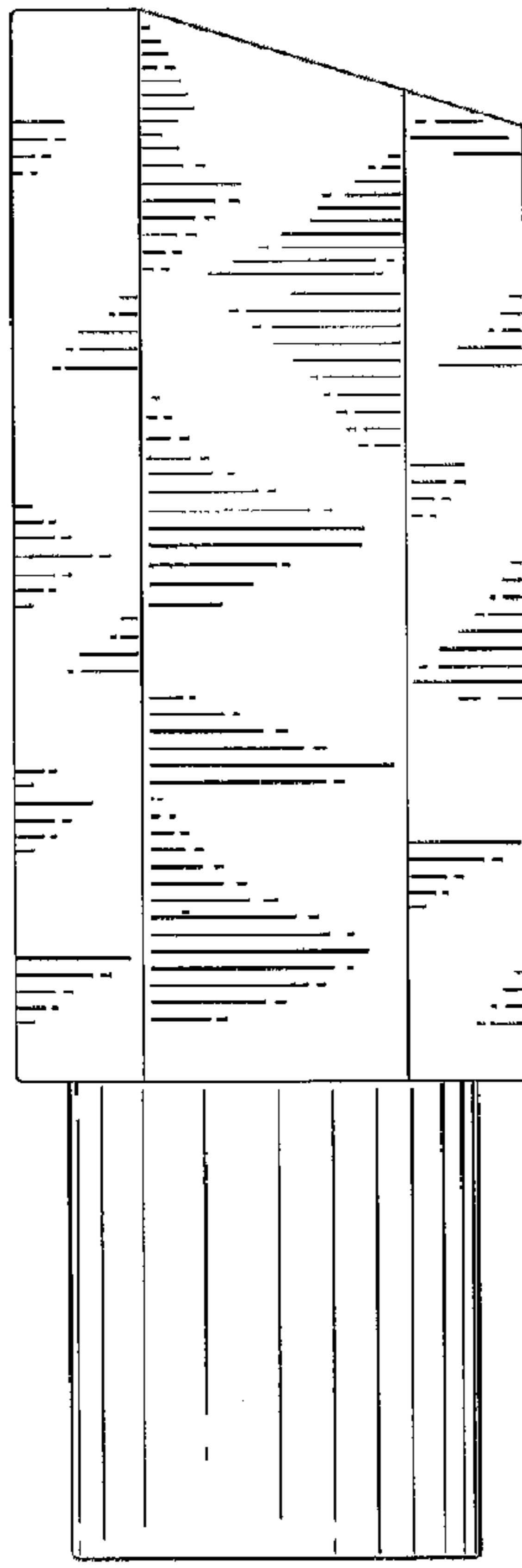


Fig. 14

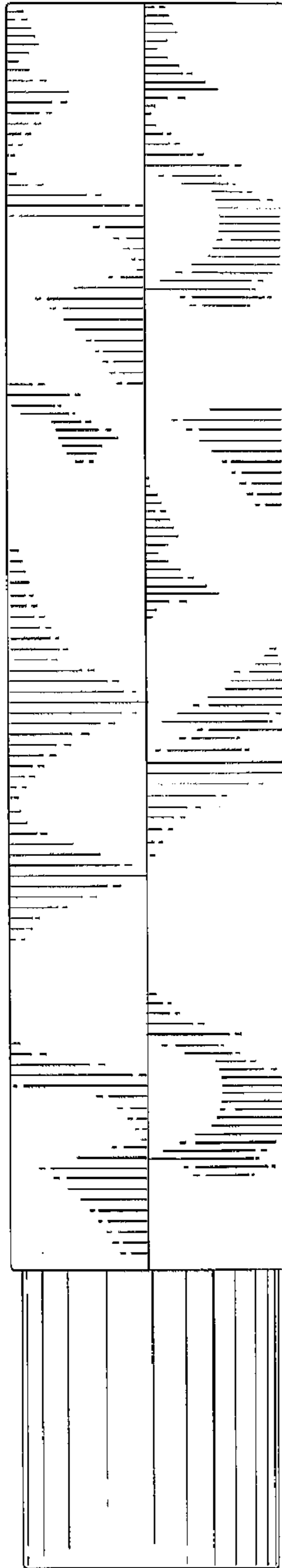


Fig. 15

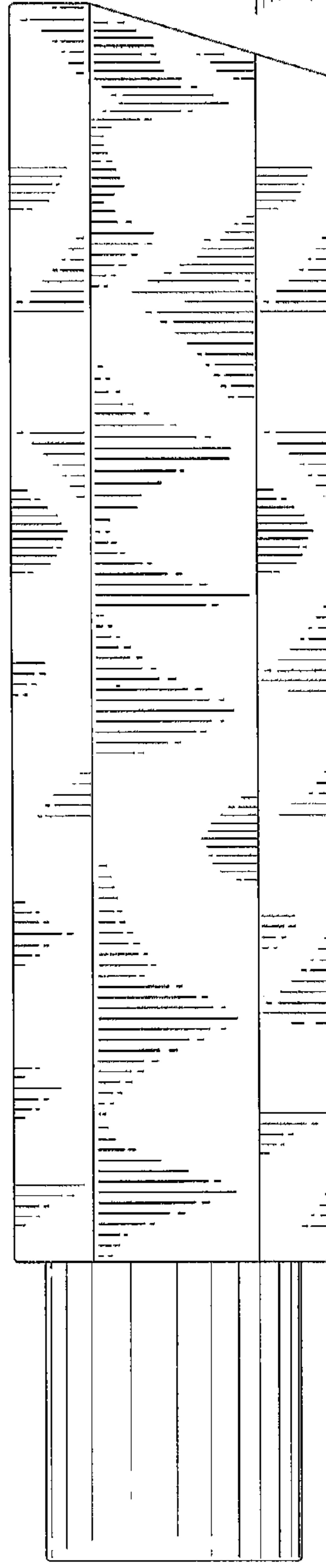


Fig. 16

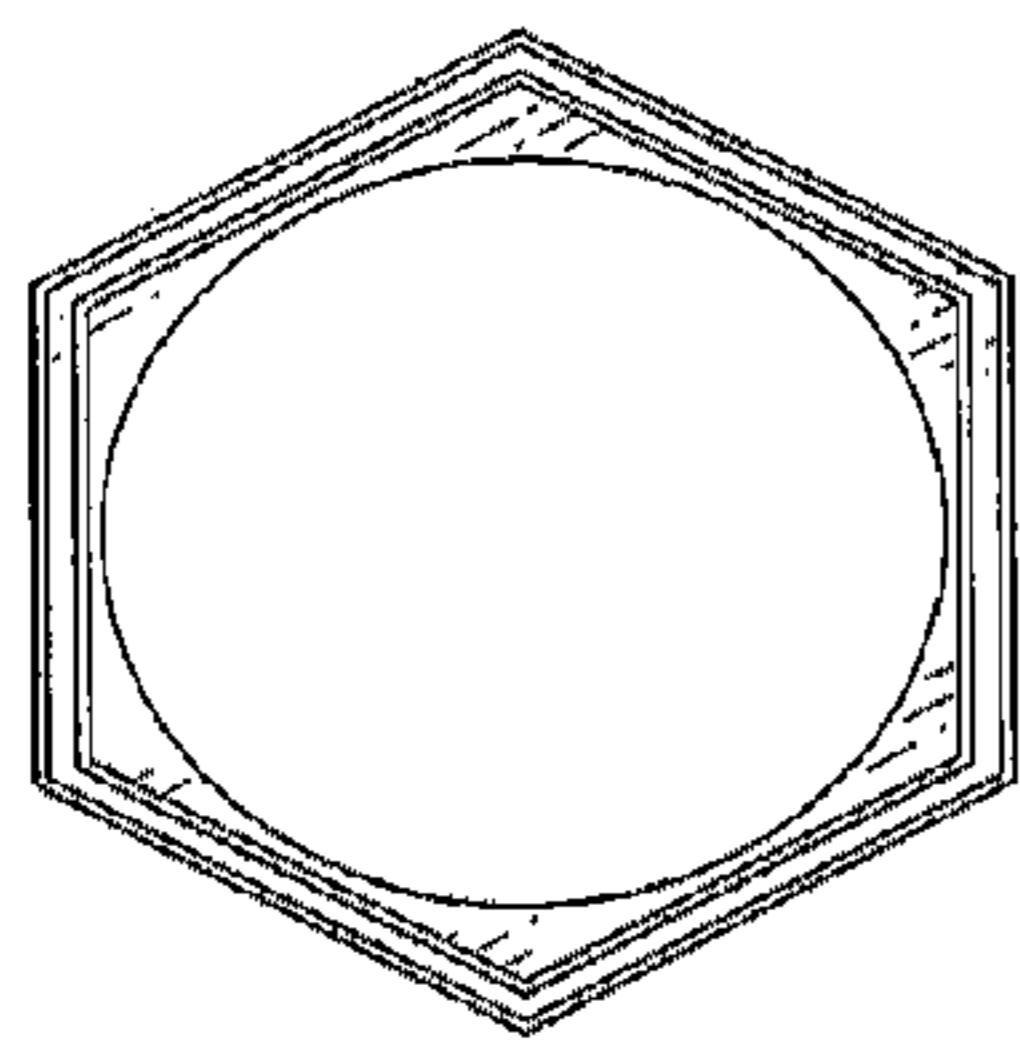
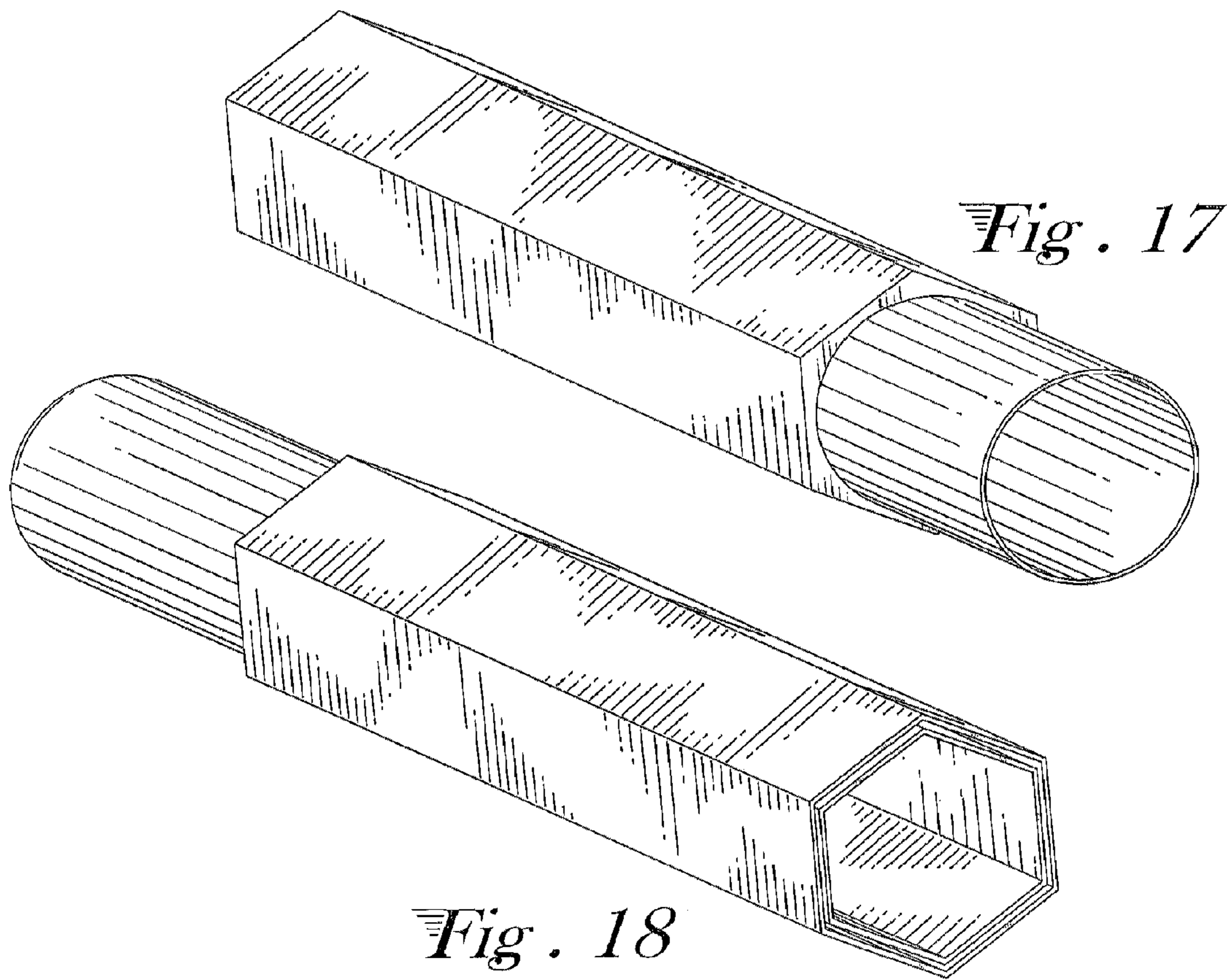


Fig. 19

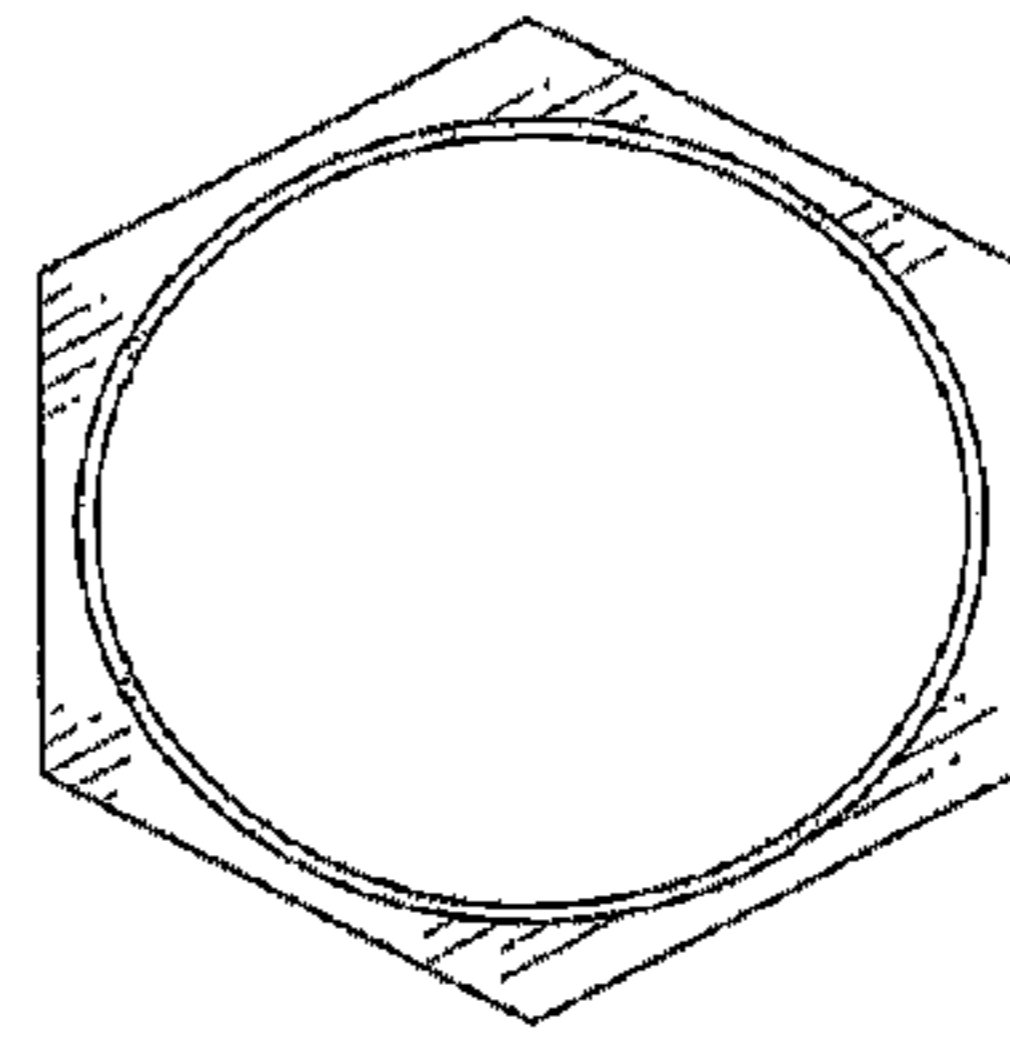


Fig. 20

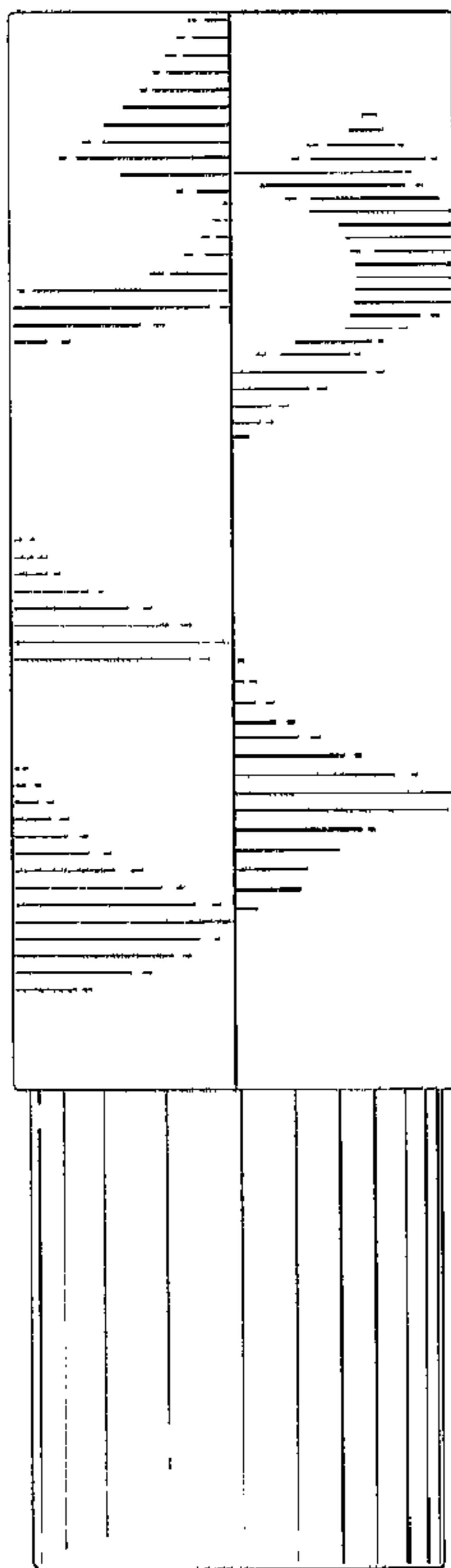


Fig. 21

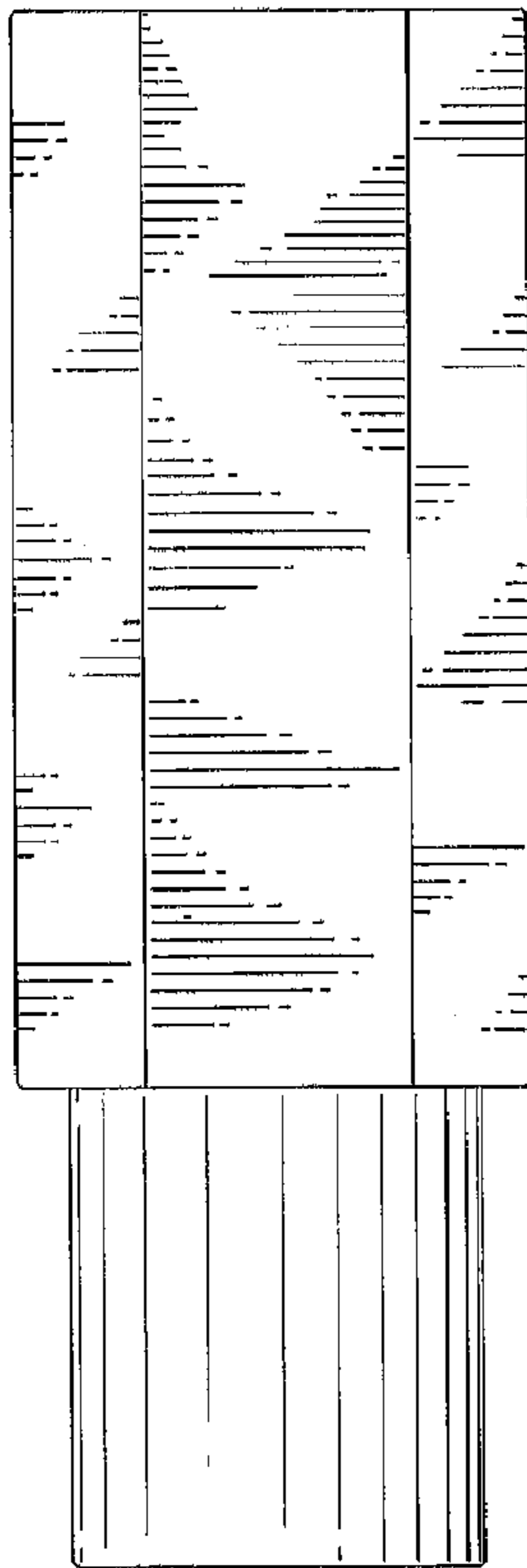


Fig. 22

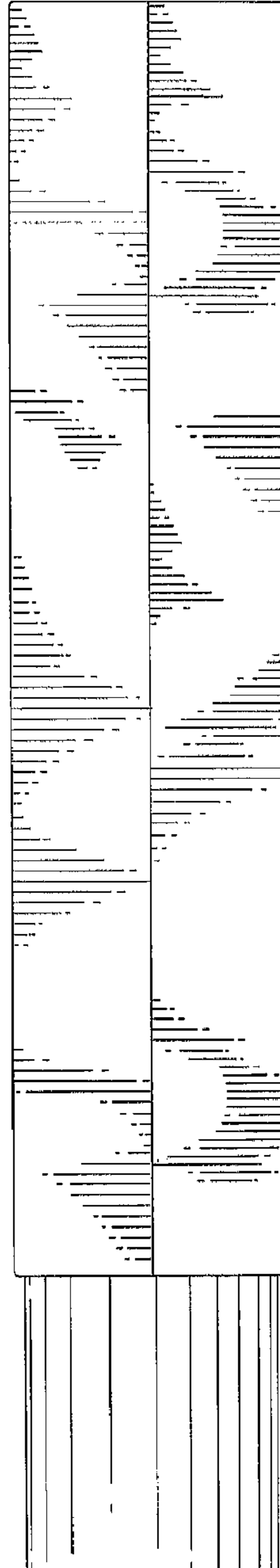


Fig. 23

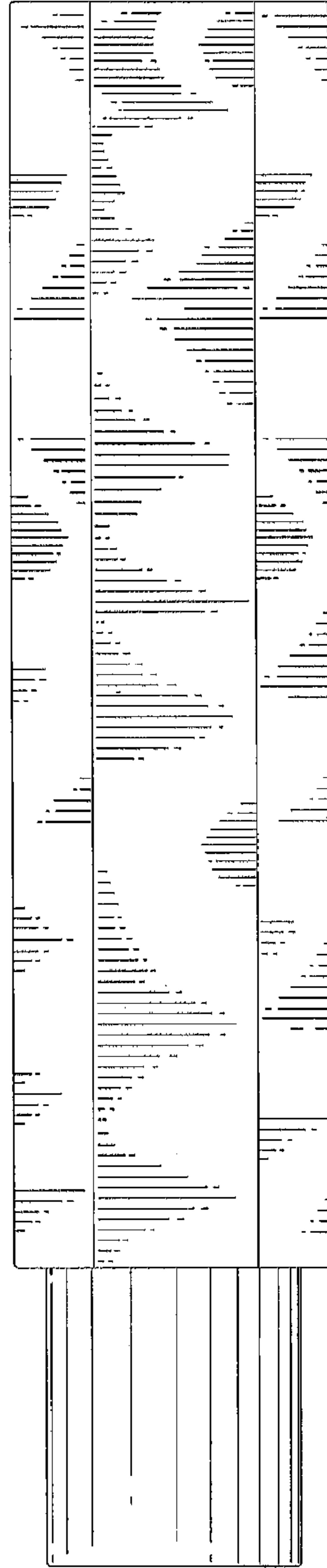


Fig. 24