



US00D665319S

(12) **United States Design Patent**
Huet

(10) **Patent No.:** **US D665,319 S**

(45) **Date of Patent:** **** Aug. 14, 2012**

(54) **FRONT FENDER FOR A VEHICLE**

(74) *Attorney, Agent, or Firm* — Crowell & Moring LLP

(75) Inventor: **Nicolas Huet**, Munich (DE)

(57) **CLAIM**

The ornamental design for a front fender for a vehicle, as shown and described.

(73) Assignee: **Bayerische Motoren Werke Aktiengesellschaft**, Munich (DE)

DESCRIPTION

(**) Term: **14 Years**

This application contains subject matter related to the following co-pending U.S. design patent application:

(21) Appl. No.: **29/392,860**

Application Ser. No. 29/392,863, filed herewith and entitled "Vehicle, Toy, and/or Replicas Thereof".

(22) Filed: **May 27, 2011**

FIG. 1 is a left perspective view of a embodiment of a front fender for a vehicle according to my design;

(30) **Foreign Application Priority Data**

Nov. 29, 2010 (DE) 40 2010 006 547

FIG. 2 is a right perspective view thereof;

(51) **LOC (9) Cl.** **12-16**

FIG. 3 is a front view thereof;

(52) **U.S. Cl.** **D12/184**

FIG. 4 is a left side view thereof;

(58) **Field of Classification Search** D12/184,
D12/196, 90-92, 181; 280/152.1, 847-849,
280/851; 296/181.1, 181.5

FIG. 5 is a right side view thereof;

FIG. 6 is a top view thereof; and

FIG. 7 is a bottom view thereof.

See application file for complete search history.

FIG. 8 is a right perspective view of a second embodiment of the front fender for a vehicle according to my design;

FIG. 9 is a left perspective view of FIG. 8;

(56) **References Cited**

U.S. PATENT DOCUMENTS

D607,798 S * 1/2010 Weil D12/184

D609,150 S * 2/2010 Krugger et al. D12/184

D620,407 S * 7/2010 Froehlich D12/184

D642,101 S * 7/2011 Faghihzadeh D12/181

FIG. 10 is a front view of FIG. 8;

FIG. 11 is a right side view of FIG. 8;

FIG. 12 is a left side view of FIG. 8;

FIG. 13 is a top view of FIG. 8; and,

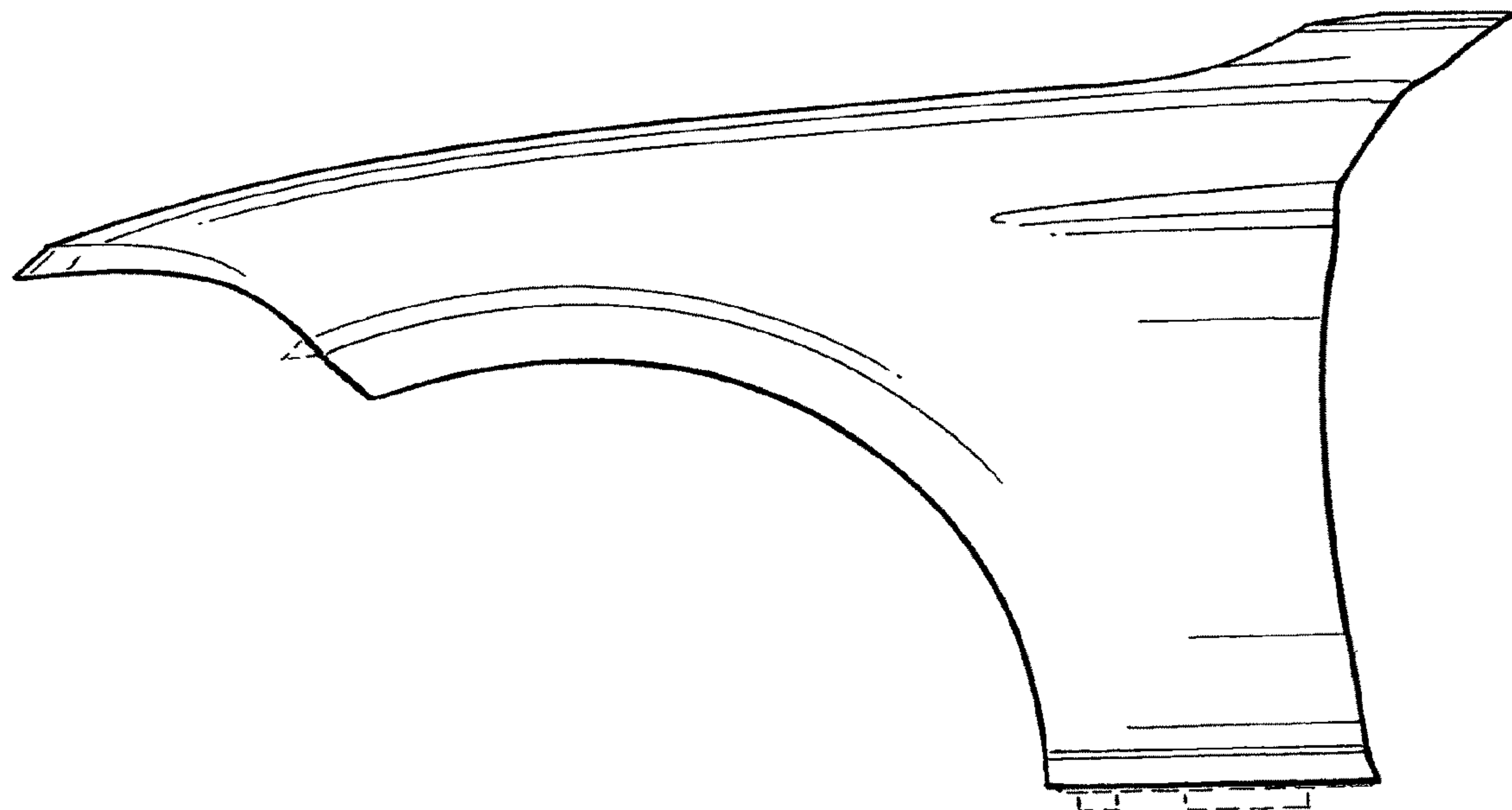
FIG. 14 is a bottom view of FIG. 8.

* cited by examiner

The broken lines are for illustrative purposes only and form no part of the claimed design. Also enclosed is a set of photographs of an embodiment of the design.

Primary Examiner — Melody N Brown

1 Claim, 6 Drawing Sheets



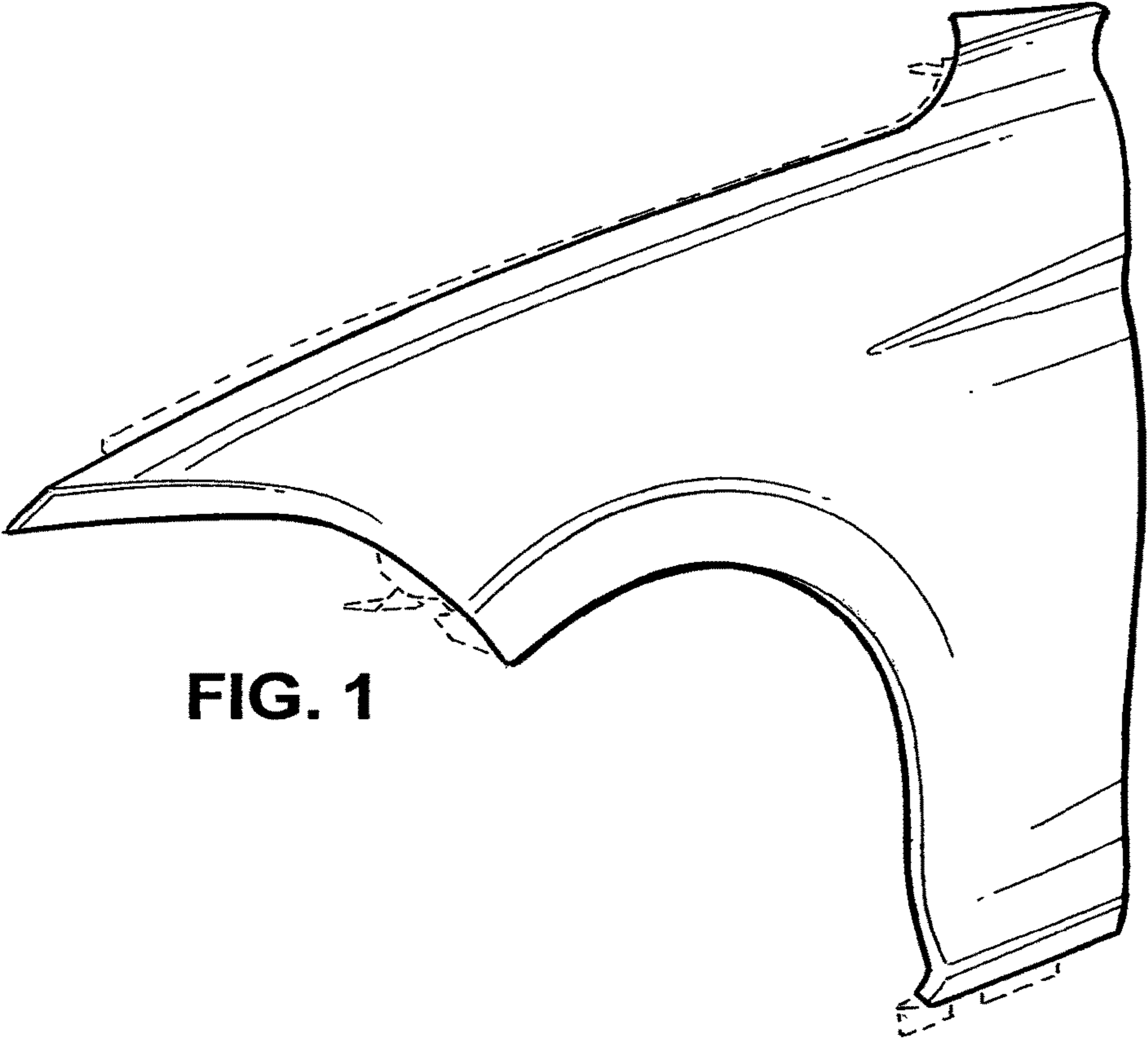


FIG. 1

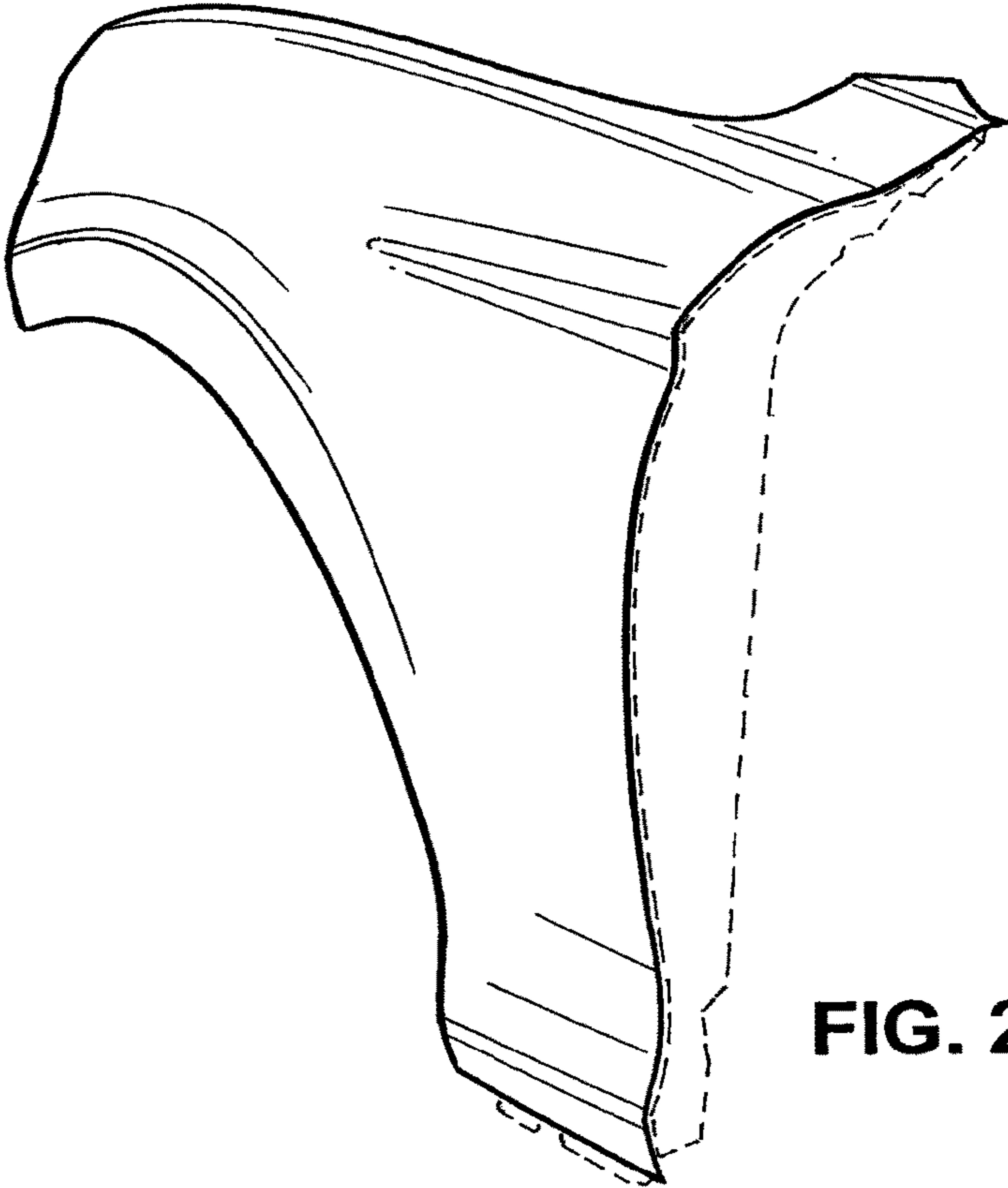
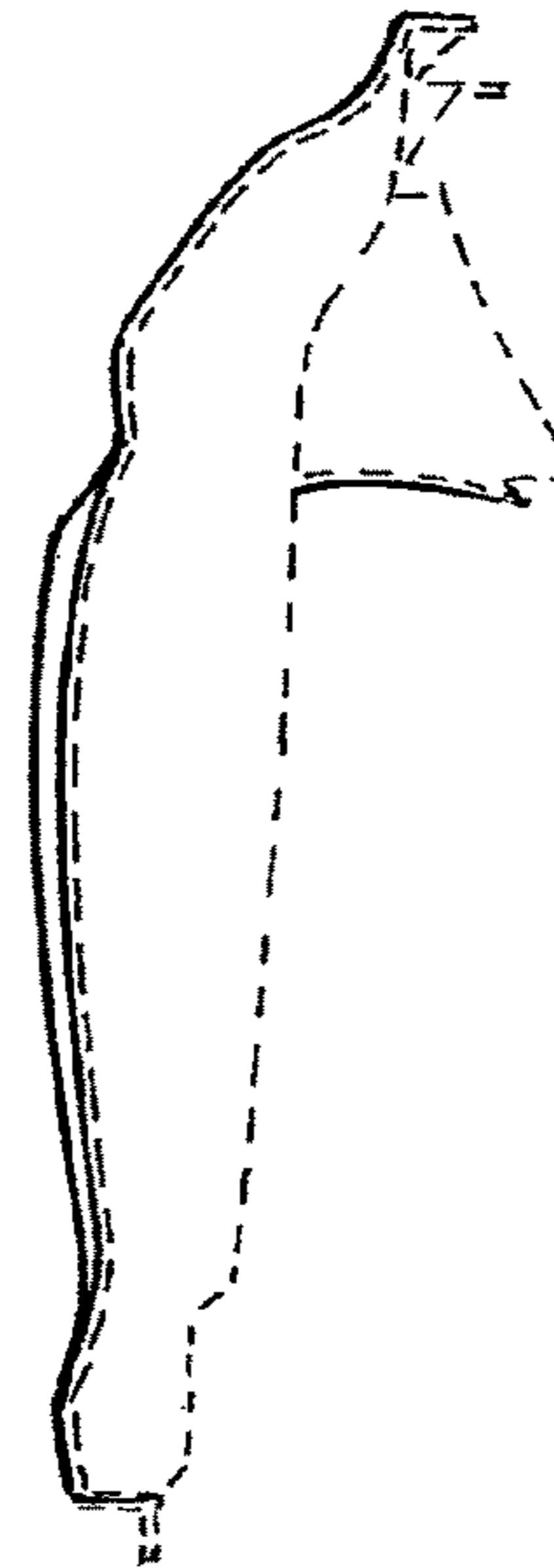
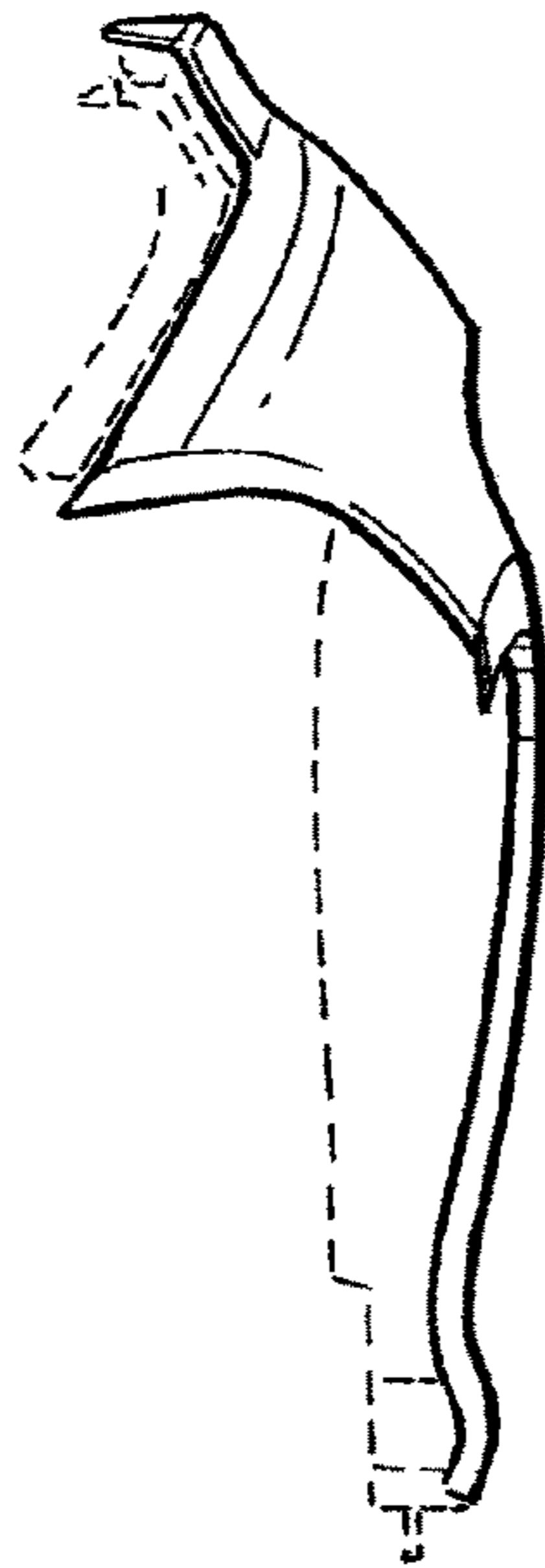
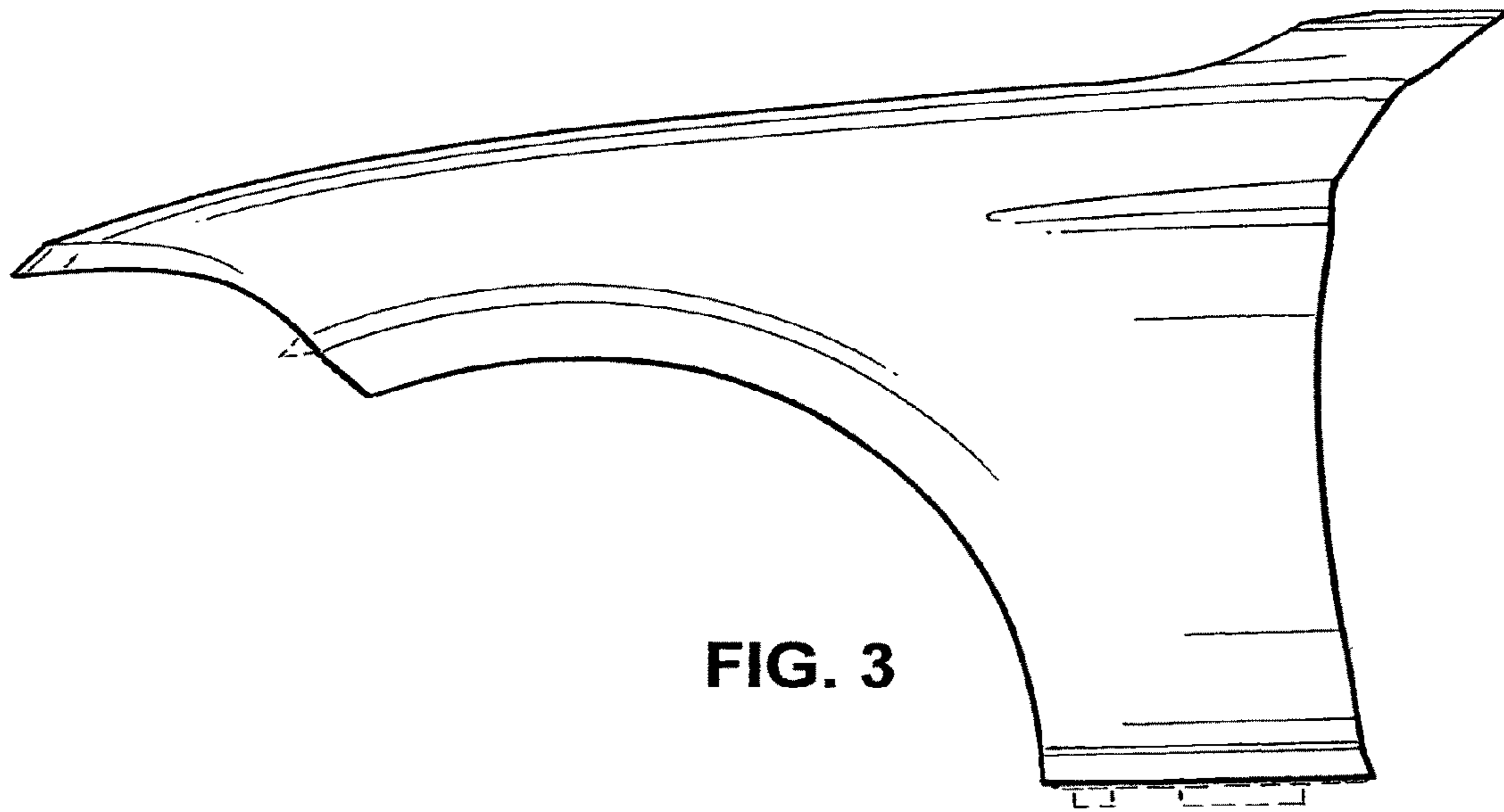


FIG. 2



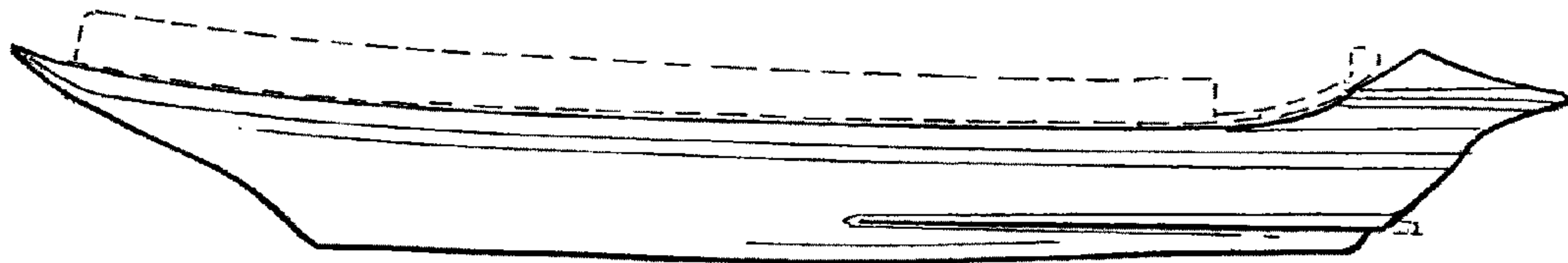


FIG. 6

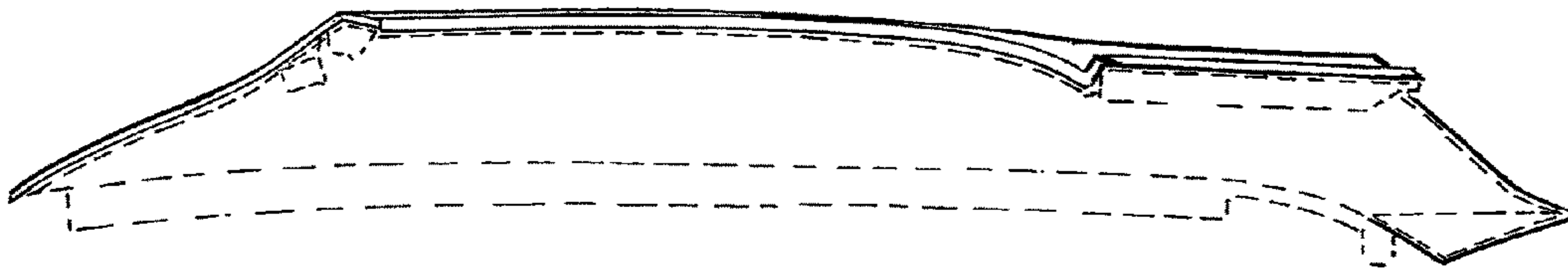


FIG. 7

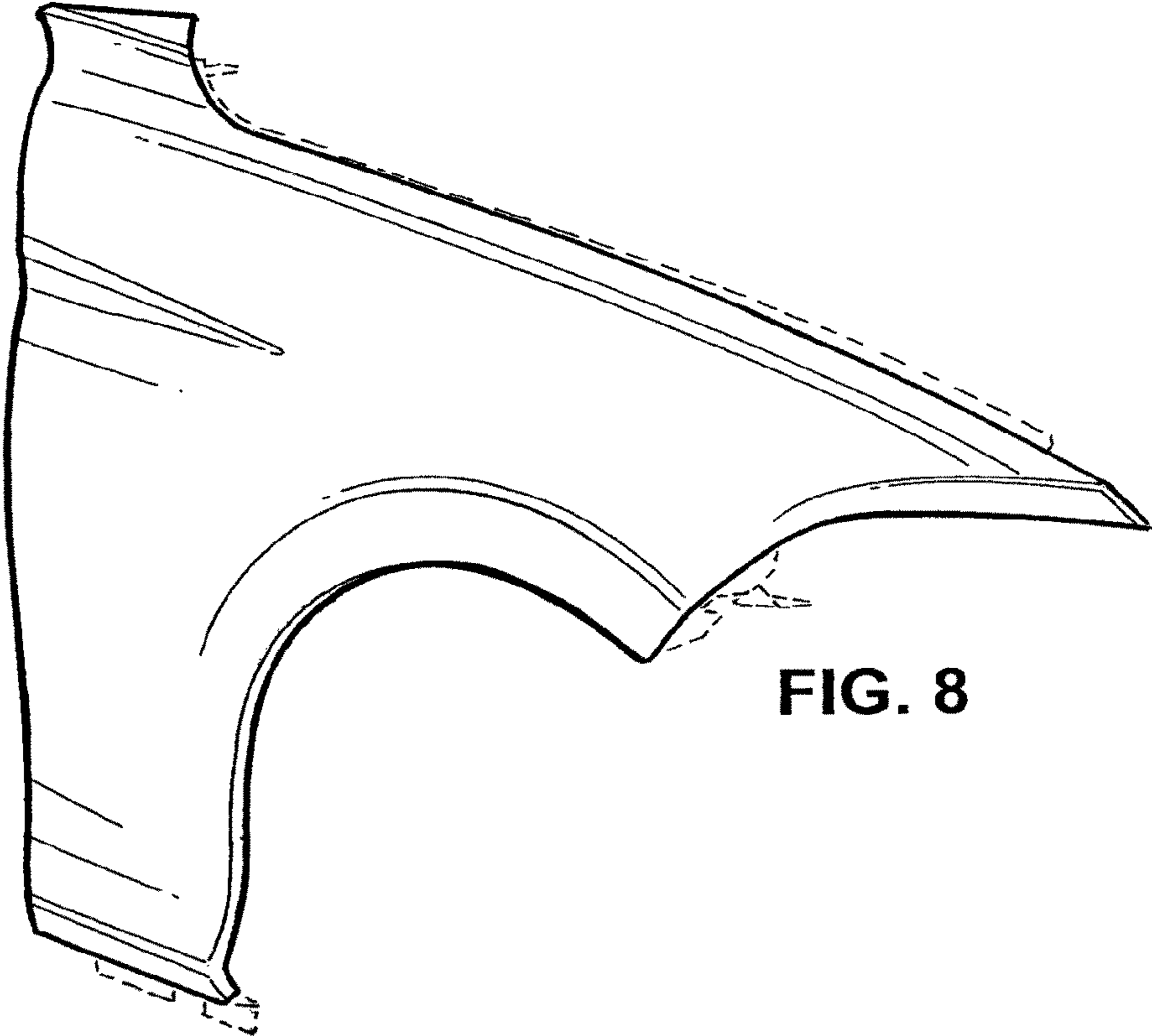


FIG. 8

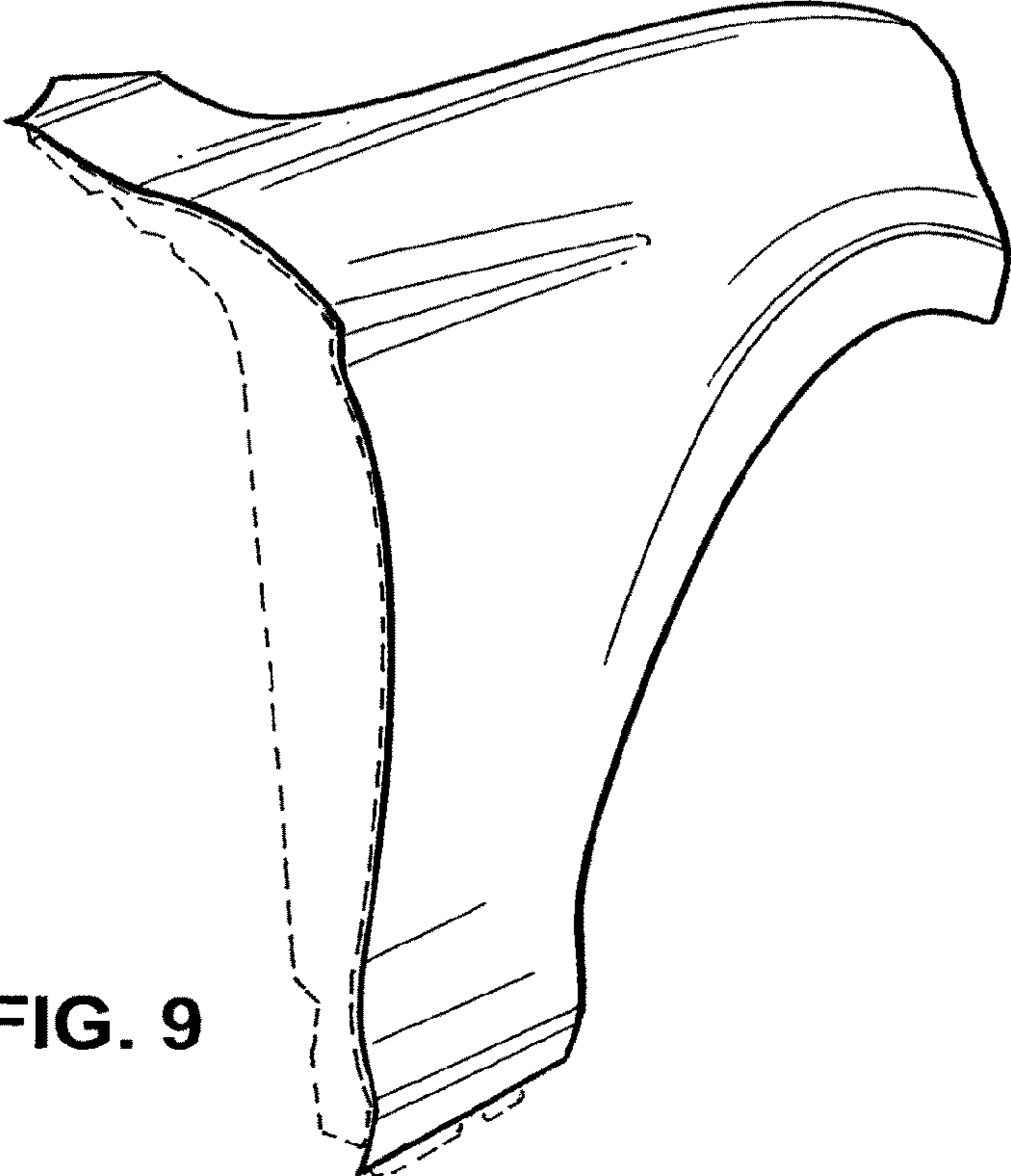


FIG. 9

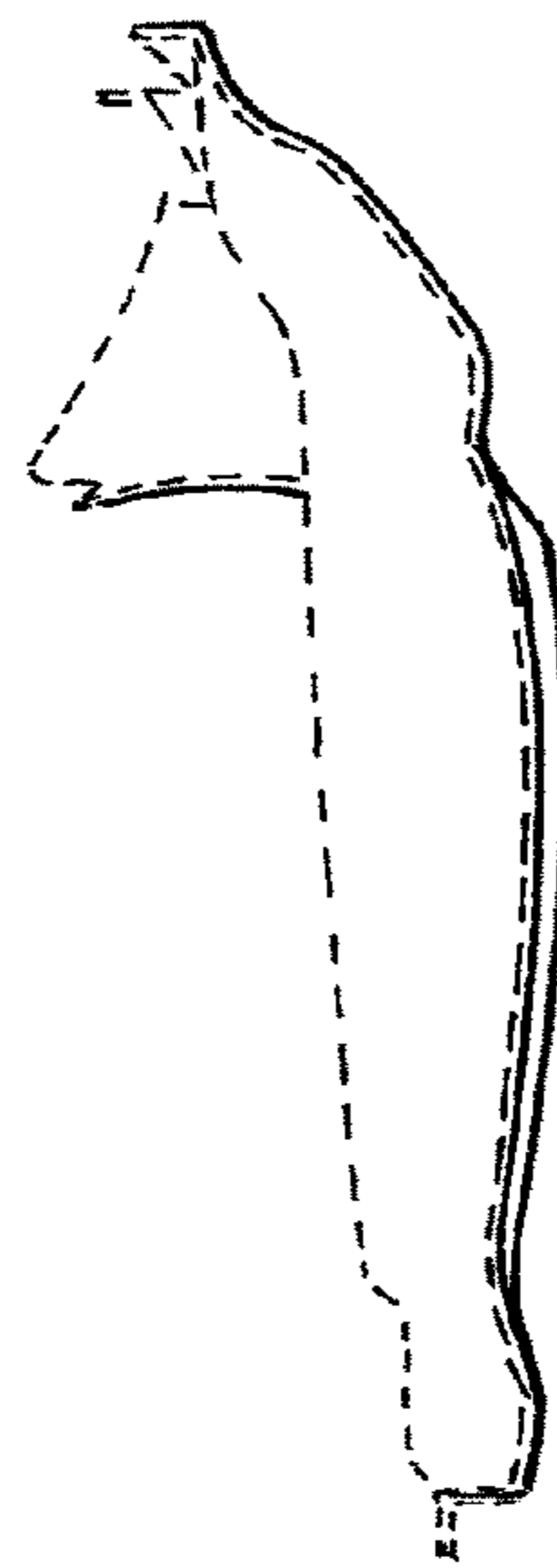
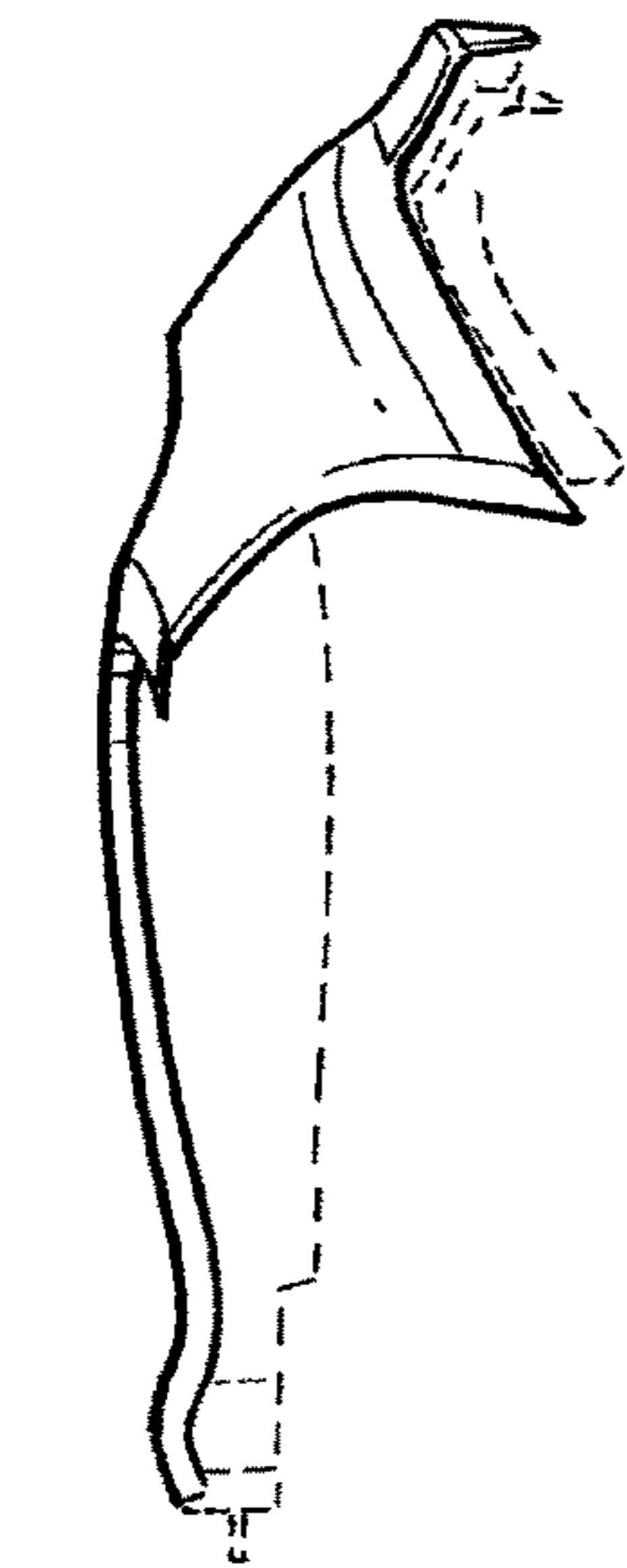
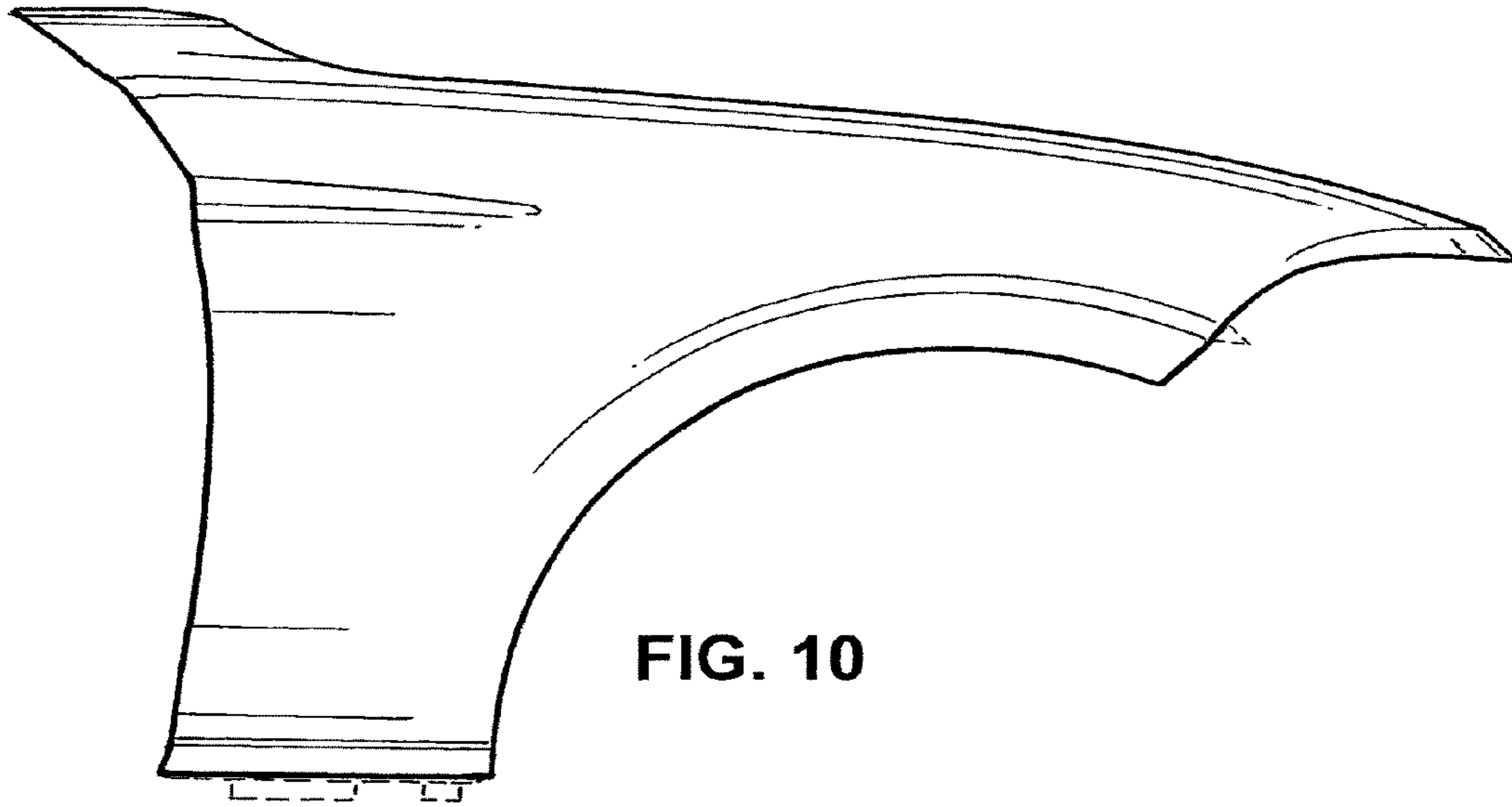


FIG. 11

FIG. 12

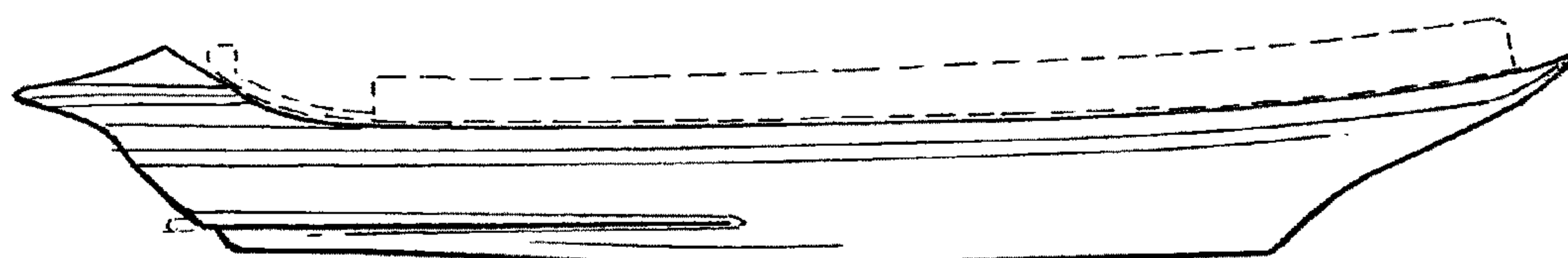


FIG. 13

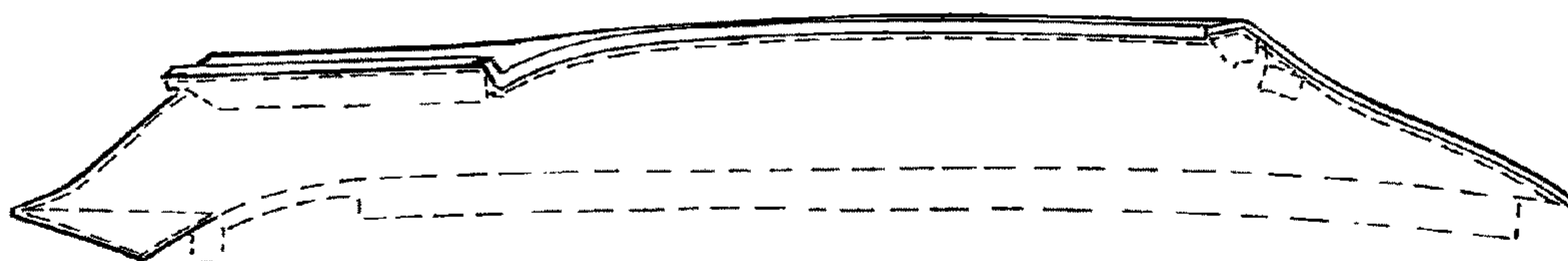


FIG. 14