



US00D665316S

(12) **United States Design Patent**
Asakura

(10) **Patent No.:** **US D665,316 S**

(45) **Date of Patent:** **** Aug. 14, 2012**

(54) **FRONT GRILL FOR AN AUTOMOBILE**

(75) Inventor: **Kentarou Asakura**, Kariya (JP)

(73) Assignee: **Toyota-Jidosha Kabushiki Kaisha**,
Toyota-shi (JP)

(**) Term: **14 Years**

(21) Appl. No.: **29/413,896**

(22) Filed: **Feb. 22, 2012**

Related U.S. Application Data

(62) Division of application No. 29/388,648, filed on Mar. 31, 2011.

(51) **LOC (9) Cl.** **12-16**

(52) **U.S. Cl.** **D12/163**

(58) **Field of Classification Search** D12/163,
D12/196, 171, 169, 216, 90-92, 86; 180/68.1,
180/68.6; 296/193.11

See application file for complete search history.

(56) **References Cited**

U.S. PATENT DOCUMENTS

D475,329 S	6/2003	Okumoto et al.	
D535,224 S *	1/2007	Kubota et al.	D12/163
D562,741 S *	2/2008	Matsumoto et al.	D12/163
D593,460 S *	6/2009	Schiavone et al.	D12/163
D597,452 S *	8/2009	Nakajima et al.	D12/163

D605,988 S *	12/2009	Bennett et al.	D12/163
D608,256 S *	1/2010	Roller	D12/163
D614,543 S *	4/2010	Kitazumi et al.	D12/163
D616,341 S	5/2010	Fukui et al.	
D625,670 S *	10/2010	Roller et al.	D12/163
D631,801 S	2/2011	Sperling et al.	
D637,531 S *	5/2011	Miyazawa	D12/163

OTHER PUBLICATIONS

Toyota Crown; Catalog of Crown; Publisher: Toyota Jidosha Kabushiki Kaisha; Mfg. Toyota; 2008.
Suzuki Wagon R; <http://www.suzuki.co.jp>; Mfg. Suzuki; 2009.

* cited by examiner

Primary Examiner — Melody N Brown

(74) *Attorney, Agent, or Firm* — Finnegan, Henderson, Farabow, Garrett & Dunner, LLP

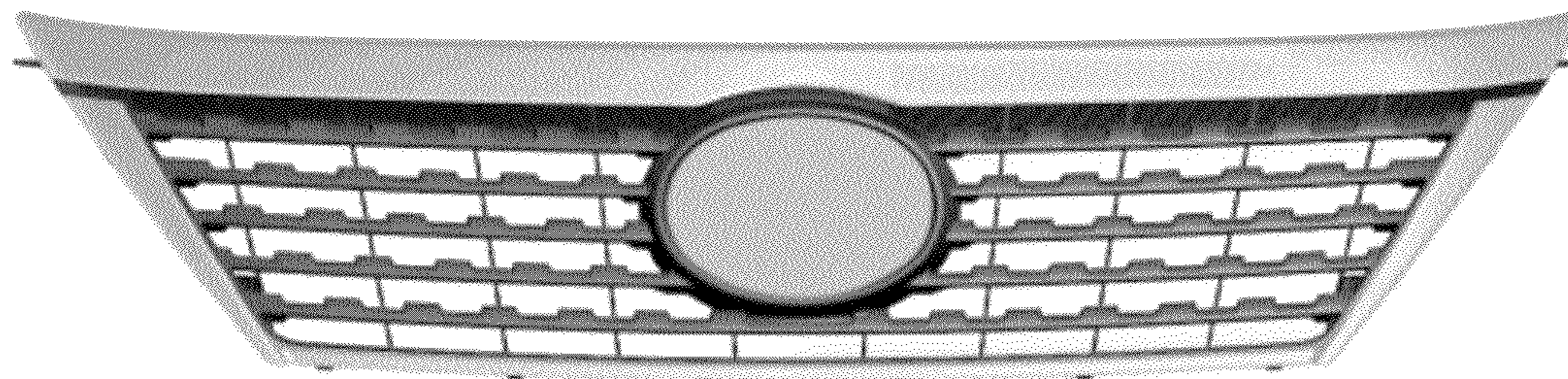
(57) **CLAIM**

The ornamental design for a front grill for an automobile, as shown and described.

DESCRIPTION

FIG. 1 is a front perspective view of a front grill for an automobile of my new design;
FIG. 2 is a front view thereof;
FIG. 3 is a top plan view thereof;
FIG. 4 is a bottom view thereof;
FIG. 5 is a right side view thereof; and,
FIG. 6 is a left side view thereof.

1 Claim, 3 Drawing Sheets



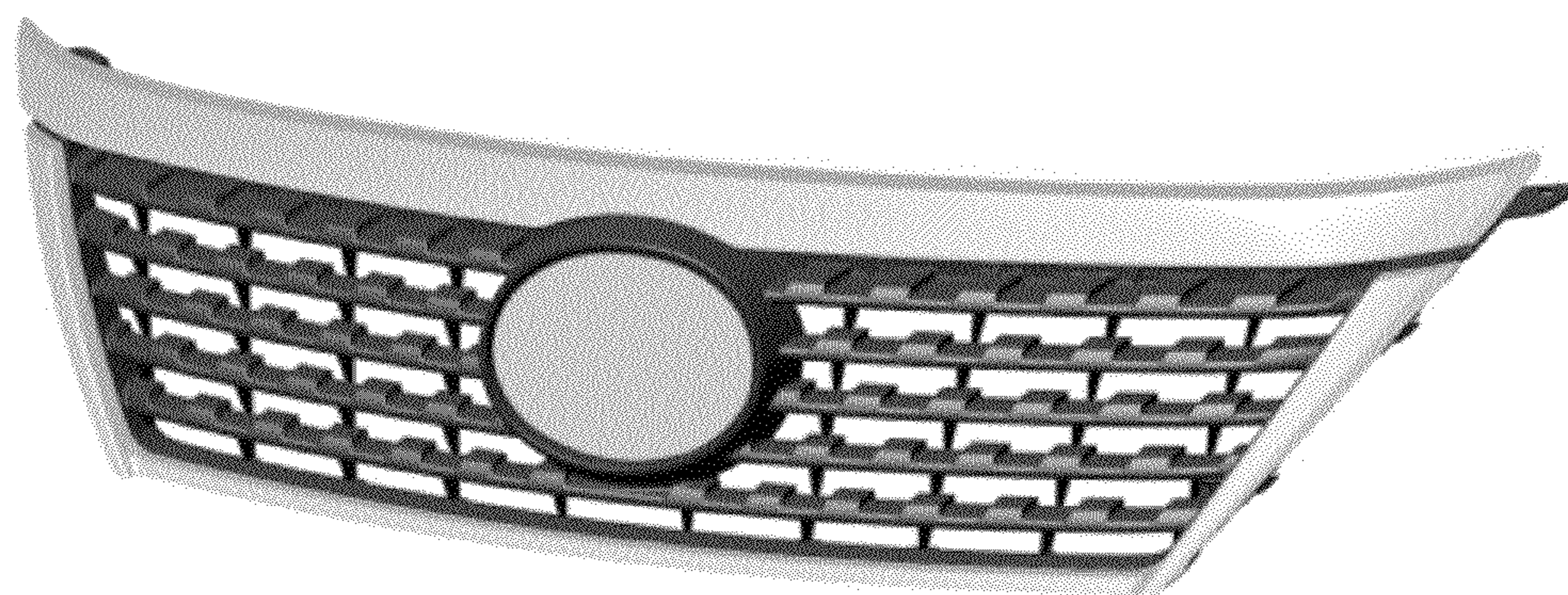


FIG. 1

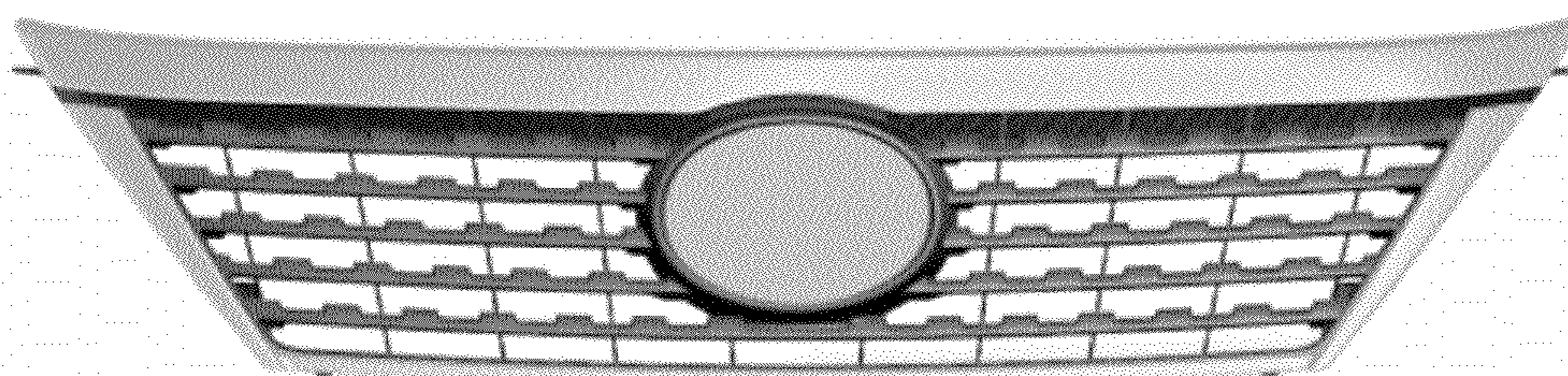


FIG. 2

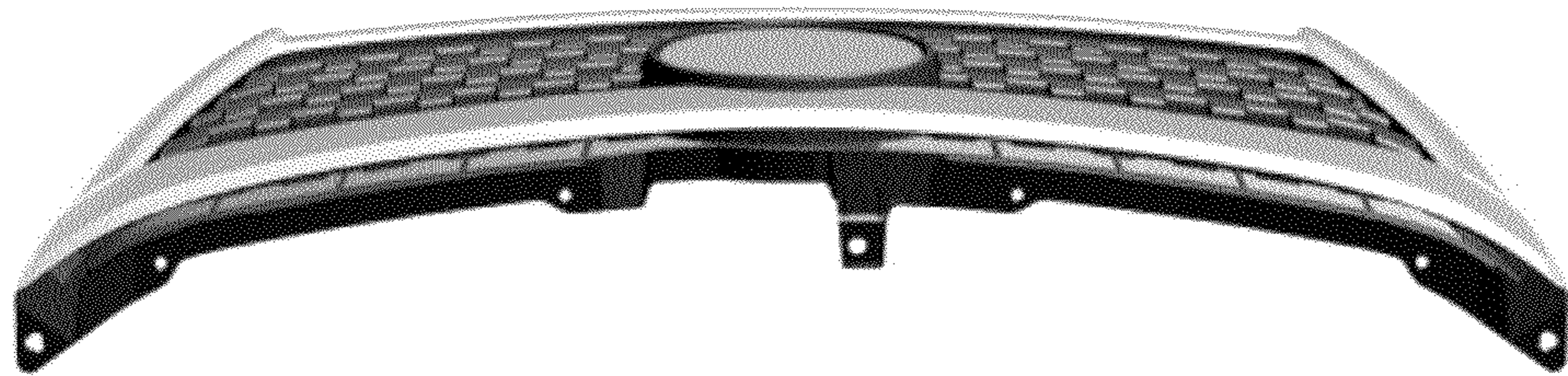


FIG. 3

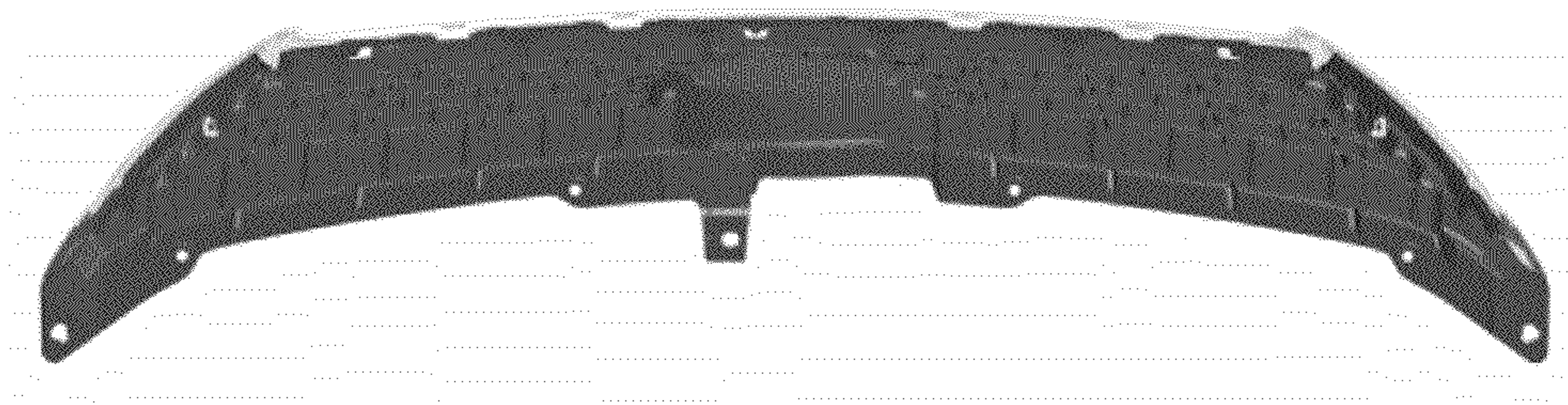


FIG. 4

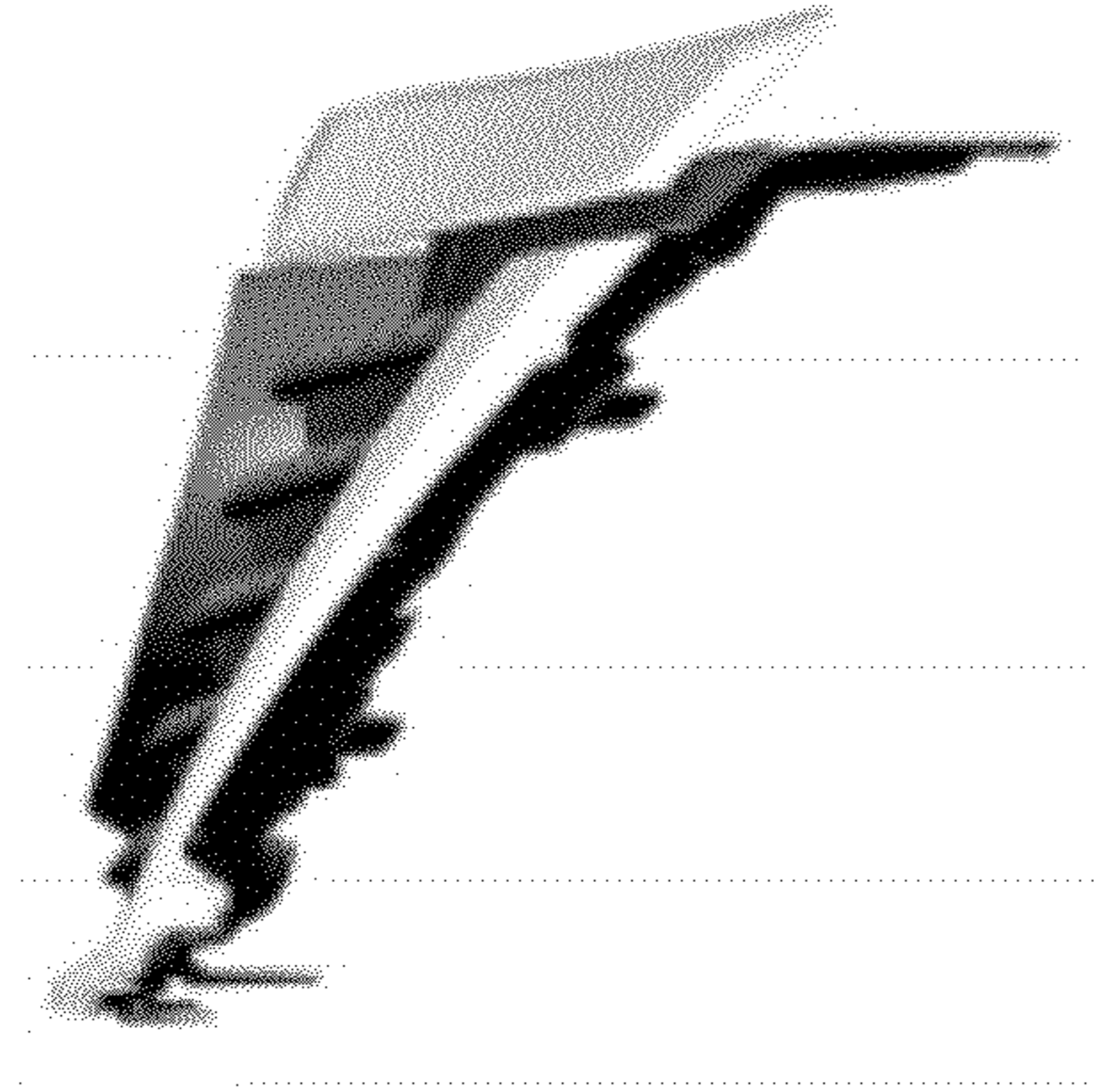


FIG. 5

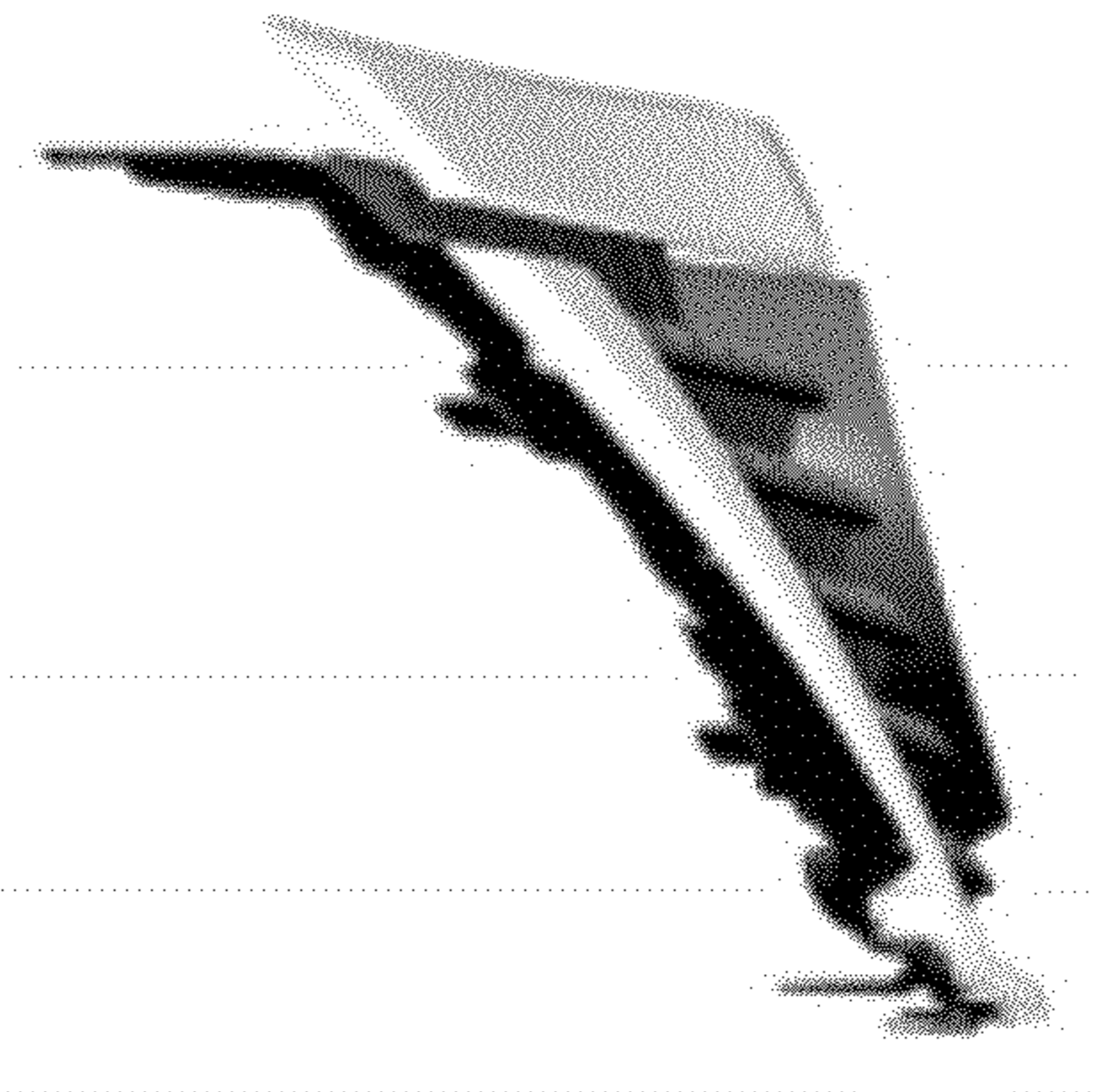


FIG. 6