



US00D665314S

(12) **United States Design Patent**
Fukui et al.

(10) **Patent No.:** **US D665,314 S**
(45) **Date of Patent:** **** Aug. 14, 2012**

(54) **FRONT GRILL FOR AN AUTOMOBILE**

(75) Inventors: **Hirofumi Fukui**, Kariya (JP); **Kazumi Kowaki**, Kariya (JP)

(73) Assignee: **Toyota Jidosha Kabushiki Kaisha**,
Toyota-shi (JP)

(**) Term: **14 Years**

(21) Appl. No.: **29/413,891**

(22) Filed: **Feb. 22, 2012**

Related U.S. Application Data

(62) Division of application No. 29/388,648, filed on Mar. 31, 2011.

(51) **LOC (9) Cl.** **12-16**

(52) **U.S. Cl.** **D12/163**

(58) **Field of Classification Search** D12/163,
D12/196, 171, 169, 216, 90-92, 86; 180/68.1,
180/68.6; 296/193.11

See application file for complete search history.

(56) **References Cited**

U.S. PATENT DOCUMENTS

D452,465 S 12/2001 Sacco et al.
D492,920 S 7/2004 Elwell et al.
D505,099 S 5/2005 Suzuki
D525,177 S 7/2006 Kitazumi et al.
D531,938 S 11/2006 Okamura et al.

D562,741 S * 2/2008 Matsumoto et al. D12/163
D565,480 S 4/2008 McMahan et al.
D597,452 S * 8/2009 Nakajima et al. D12/163
D608,256 S * 1/2010 Roller D12/163
D614,543 S * 4/2010 Kitazumi et al. D12/163
D625,670 S * 10/2010 Roller et al. D12/163
D637,531 S * 5/2011 Miyazawa D12/163

OTHER PUBLICATIONS

Lexus LS; Catalog of Lexus; Publisher: Toyota Jidosha Kabushiki Kaisha; Mfg: Toyota; Sep. 2006.

Toyota Vellfire; Catalog of Vellfire; Publisher: Toyota Jidosha Kabushiki Kaisha; Mfg: Toyota; May 2008.

* cited by examiner

Primary Examiner — Melody N Brown

(74) *Attorney, Agent, or Firm* — Finnegan, Henderson, Farabow, Garrett & Dunner, LLP

(57) **CLAIM**

The ornamental design for a front grill for an automobile, as shown and described.

DESCRIPTION

FIG. 1 is a front perspective view of a front grill for an automobile of our new design;

FIG. 2 is a front view thereof;

FIG. 3 is a top plan view thereof;

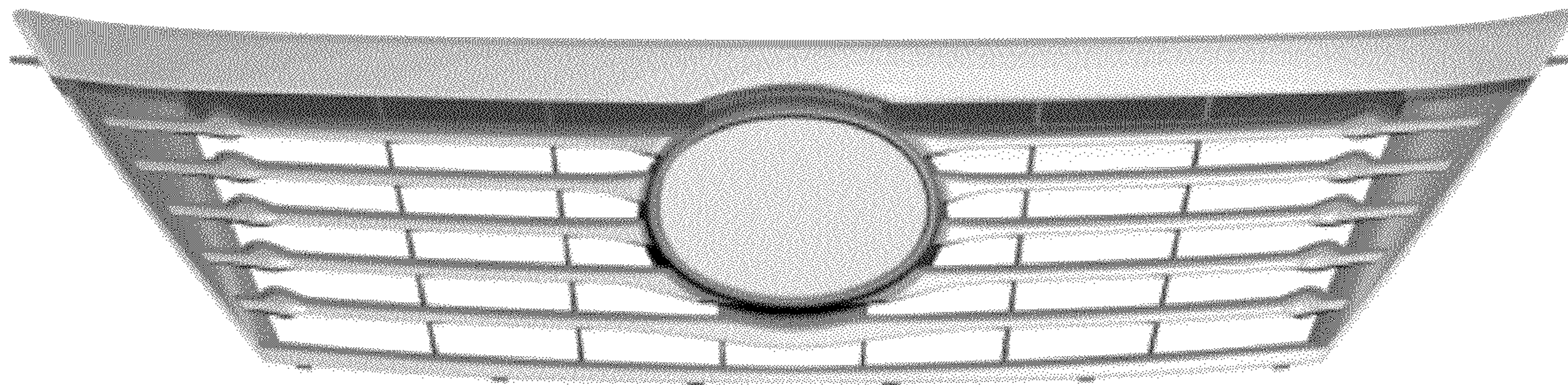
FIG. 4 is a bottom view thereof;

FIG. 5 is a right side view thereof; and,

FIG. 6 is a left side view thereof.

The rear view forms no part of the claimed design.

1 Claim, 3 Drawing Sheets



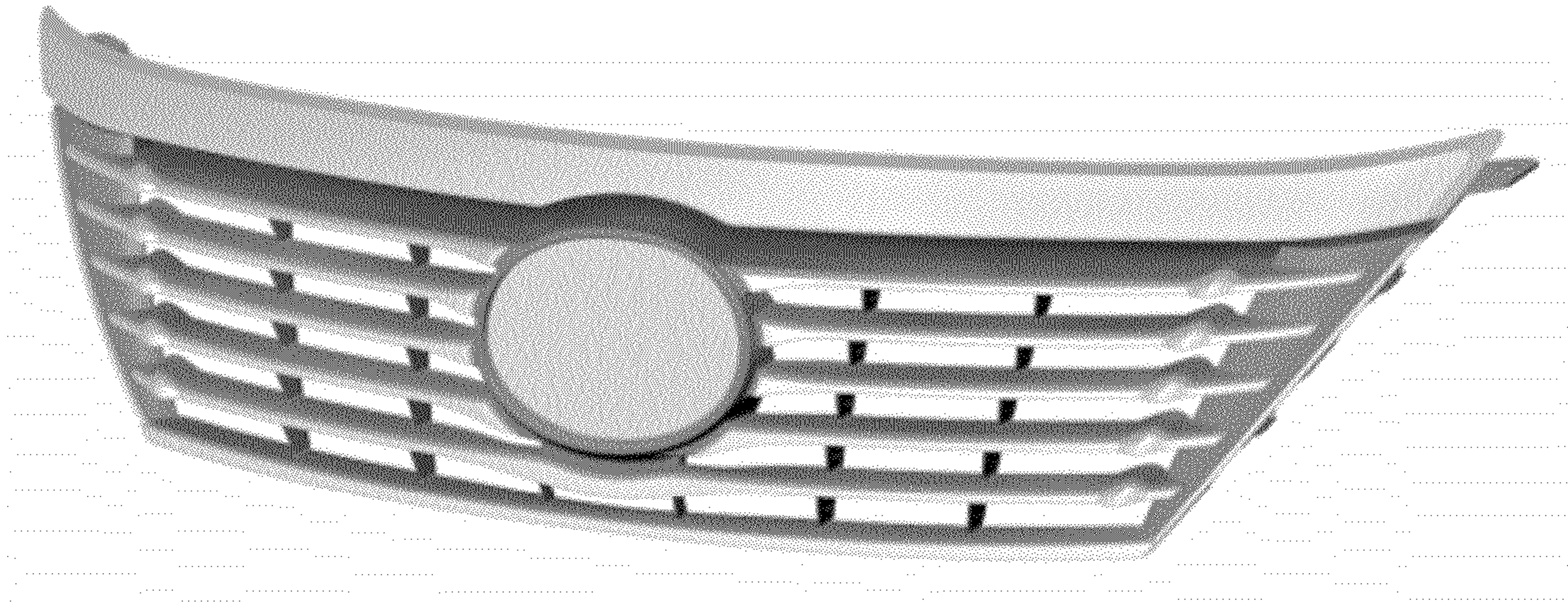


FIG. 1

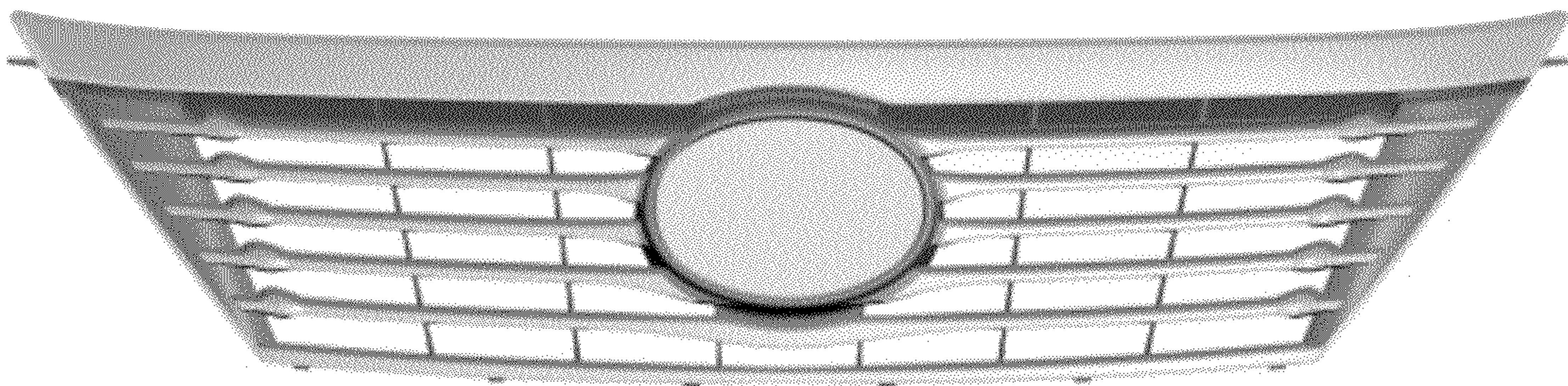


FIG. 2

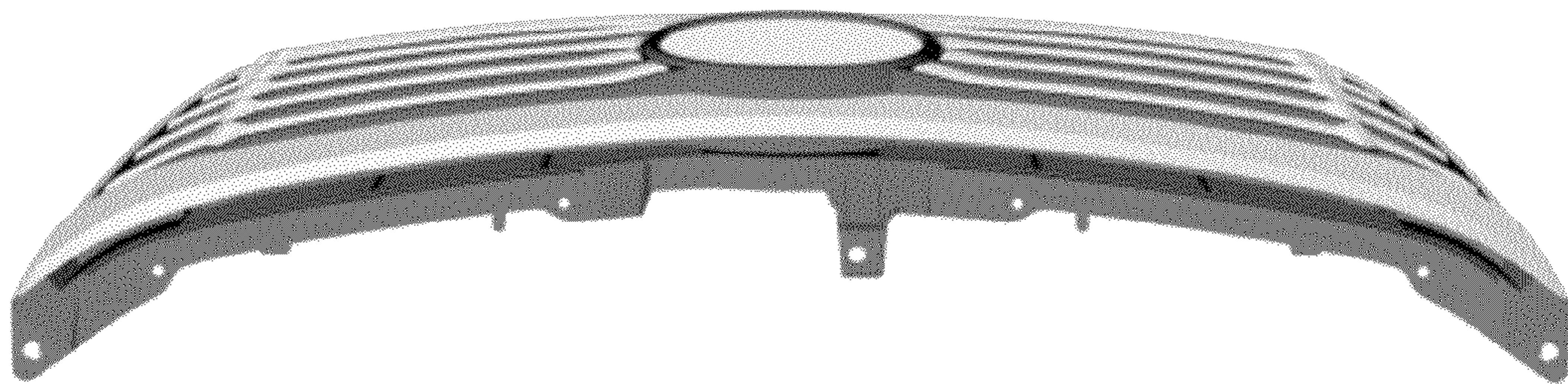


FIG. 3

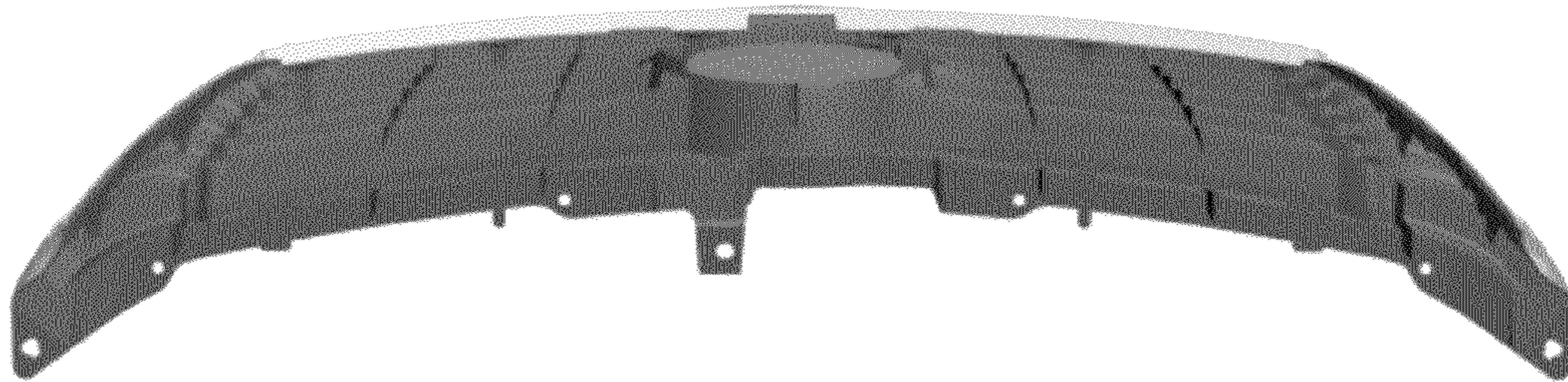


FIG. 4

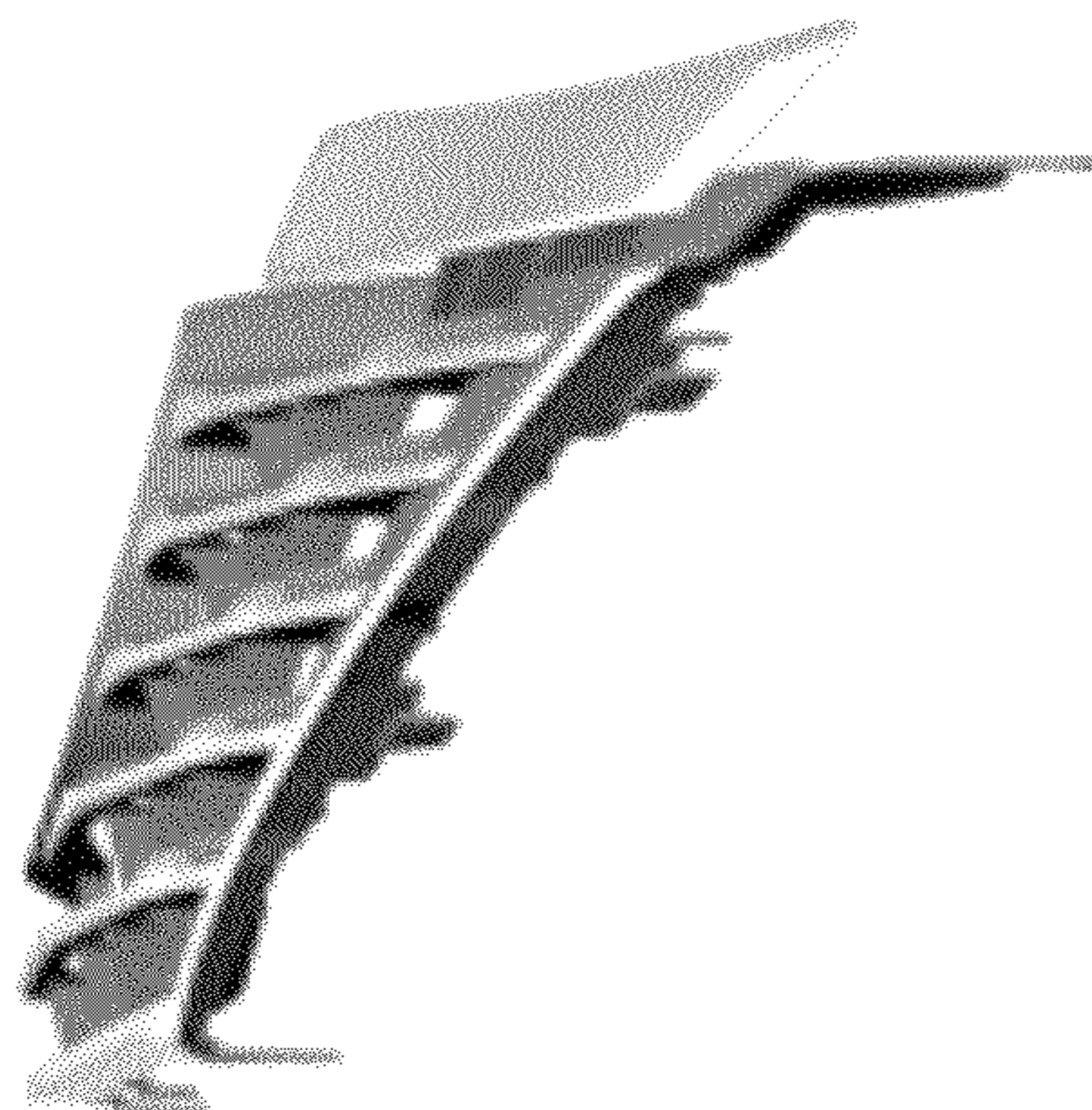


FIG. 5

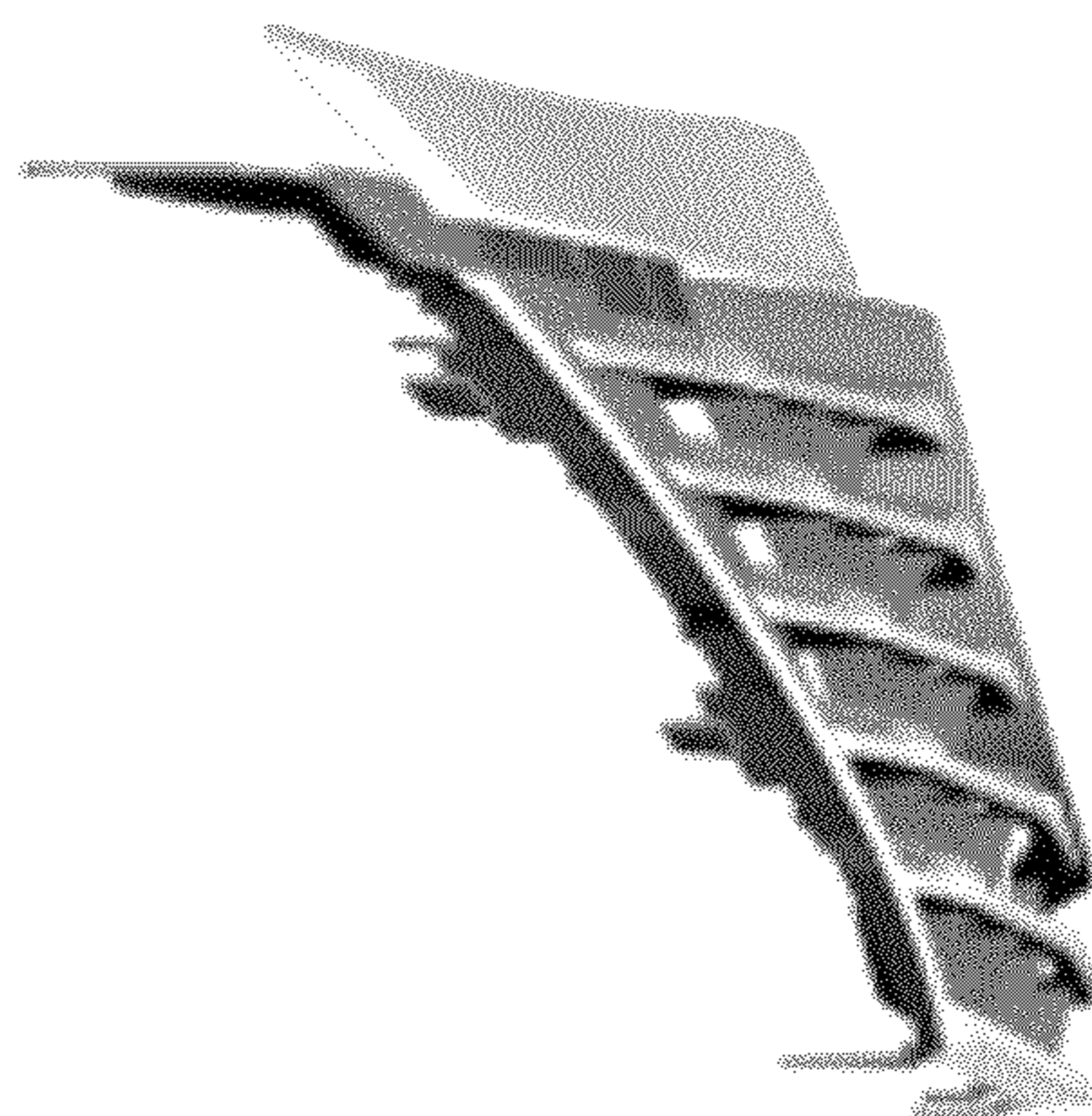


FIG. 6