

US00D665310S

(12) **United States Design Patent**  
**Hohdorf et al.**

(10) **Patent No.:** **US D665,310 S**

(45) **Date of Patent:** **\*\* Aug. 14, 2012**

(54) **MOTORCYCLE, TOY, OR MOTORCYCLE  
REPLICA**

D519,415 S \* 4/2006 Hohdorf et al. .... D12/110  
D530,244 S \* 10/2006 Wilm et al. .... D12/110  
D591,205 S \* 4/2009 Heinrich et al. .... D12/110

(75) Inventors: **Volker Hohdorf**, Augsburg (DE); **David Robb**, Munich (DE)

\* cited by examiner

(73) Assignee: **Bayerische Motoren Werke Aktiengesellschaft**, Munich (DE)

*Primary Examiner* — Susan M Lee

*Assistant Examiner* — Linda G. Brooks

(74) *Attorney, Agent, or Firm* — Crowell & Moring LLP

(\*\*) Term: **14 Years**

(57) **CLAIM**

(21) Appl. No.: **29/371,333**

The ornamental design for a motorcycle, toy, or motorcycle replica, as shown and described.

(22) Filed: **Jan. 4, 2011**

**DESCRIPTION**

(30) **Foreign Application Priority Data**

Jul. 5, 2010 (DE) ..... 402010003677

(51) **LOC (9) Cl.** ..... **12-11**

(52) **U.S. Cl.** ..... **D12/110**

(58) **Field of Classification Search** ..... D12/110;  
180/219, 220, 225, 229; D21/432, 538; 280/827,  
280/828; 446/440

See application file for complete search history.

FIG. 1 is a left, front perspective view of a motorcycle, toy, and/or motorcycle replica according to my design; FIG. 2 is a left, rear perspective view thereof; FIG. 3 is a right, front perspective view thereof; FIG. 4 is a right, rear perspective view thereof; FIG. 5 is a left side view thereof; FIG. 6 is a right side view thereof; FIG. 7 is a front view thereof; FIG. 8 is a rear view thereof; FIG. 9 is a top view thereof; and, FIG. 10 is a bottom view thereof.

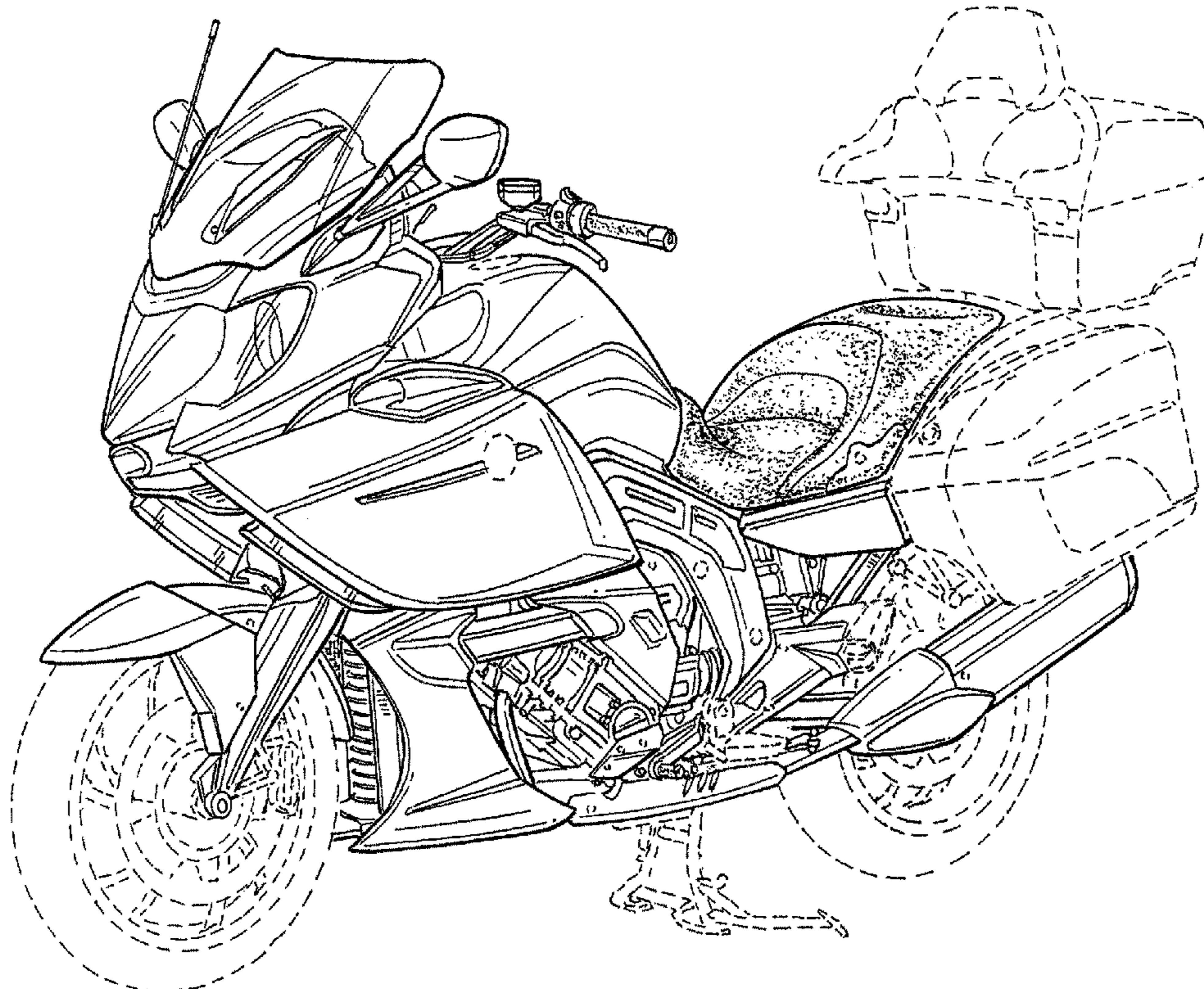
The broken lines illustrate unclaimed environmental structure.

(56) **References Cited**

**U.S. PATENT DOCUMENTS**

D406,801 S \* 3/1999 Robb et al. .... D12/110  
D476,271 S \* 6/2003 Abe et al. .... D12/110

**1 Claim, 9 Drawing Sheets**



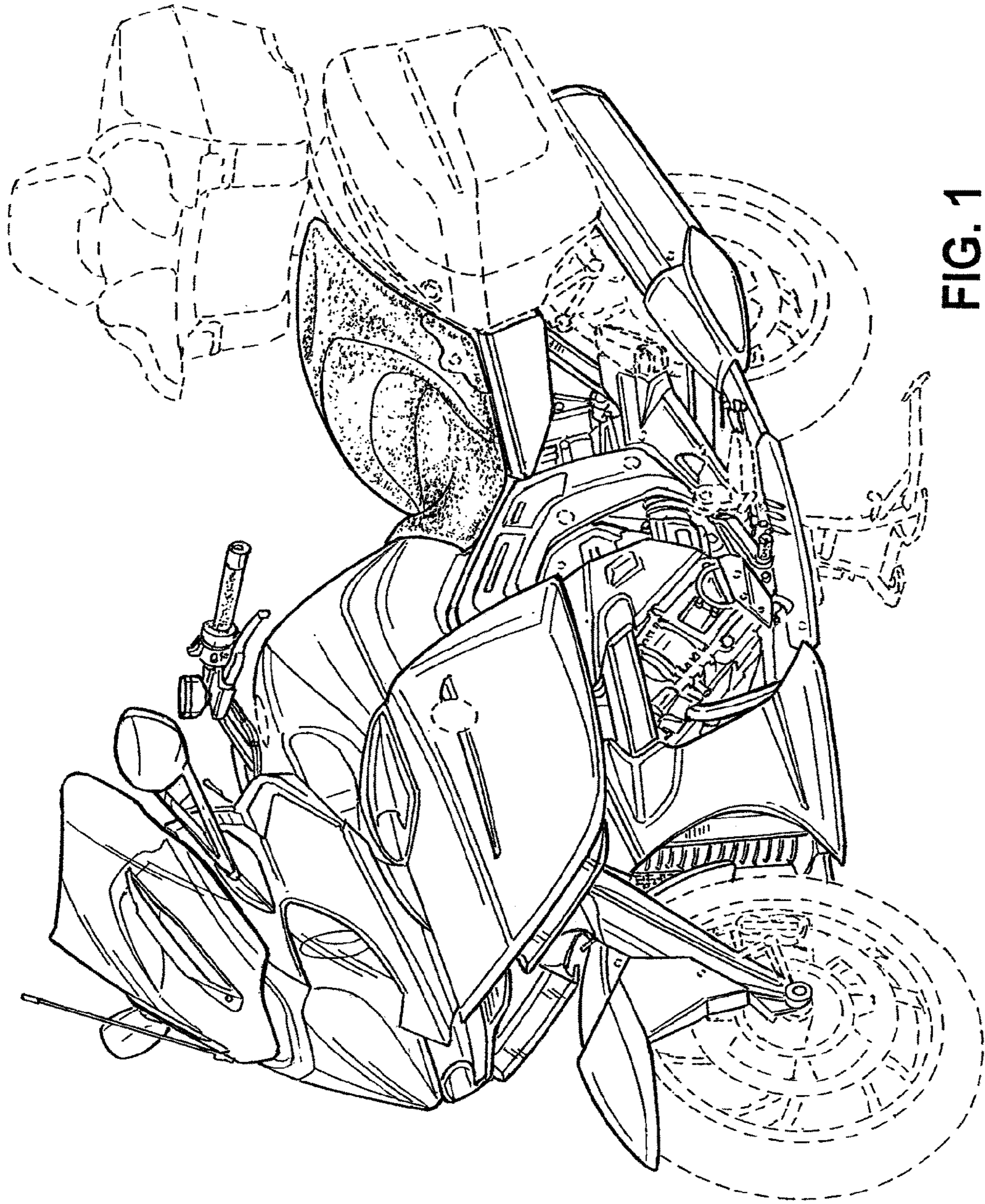


FIG. 1

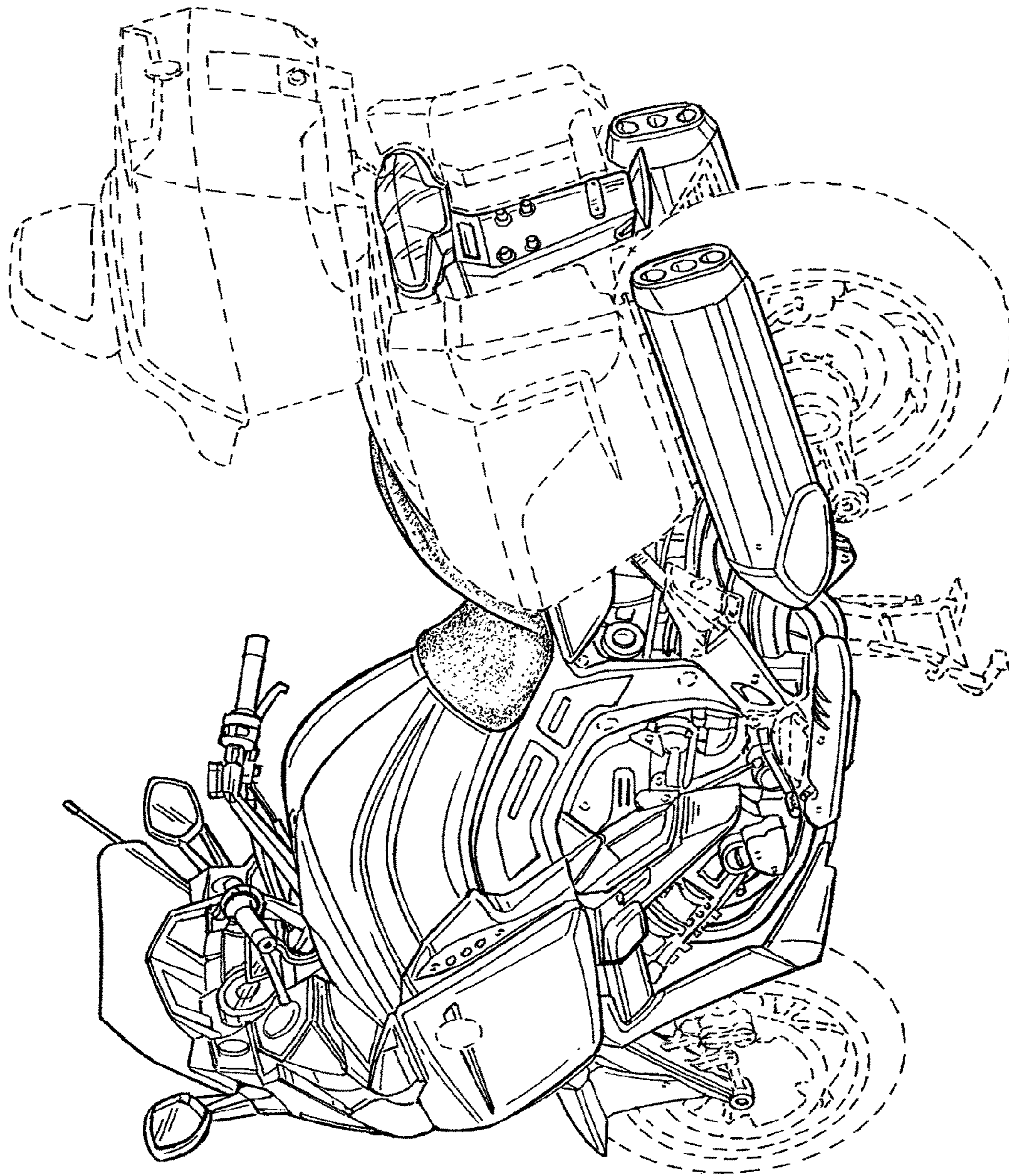


FIG. 2

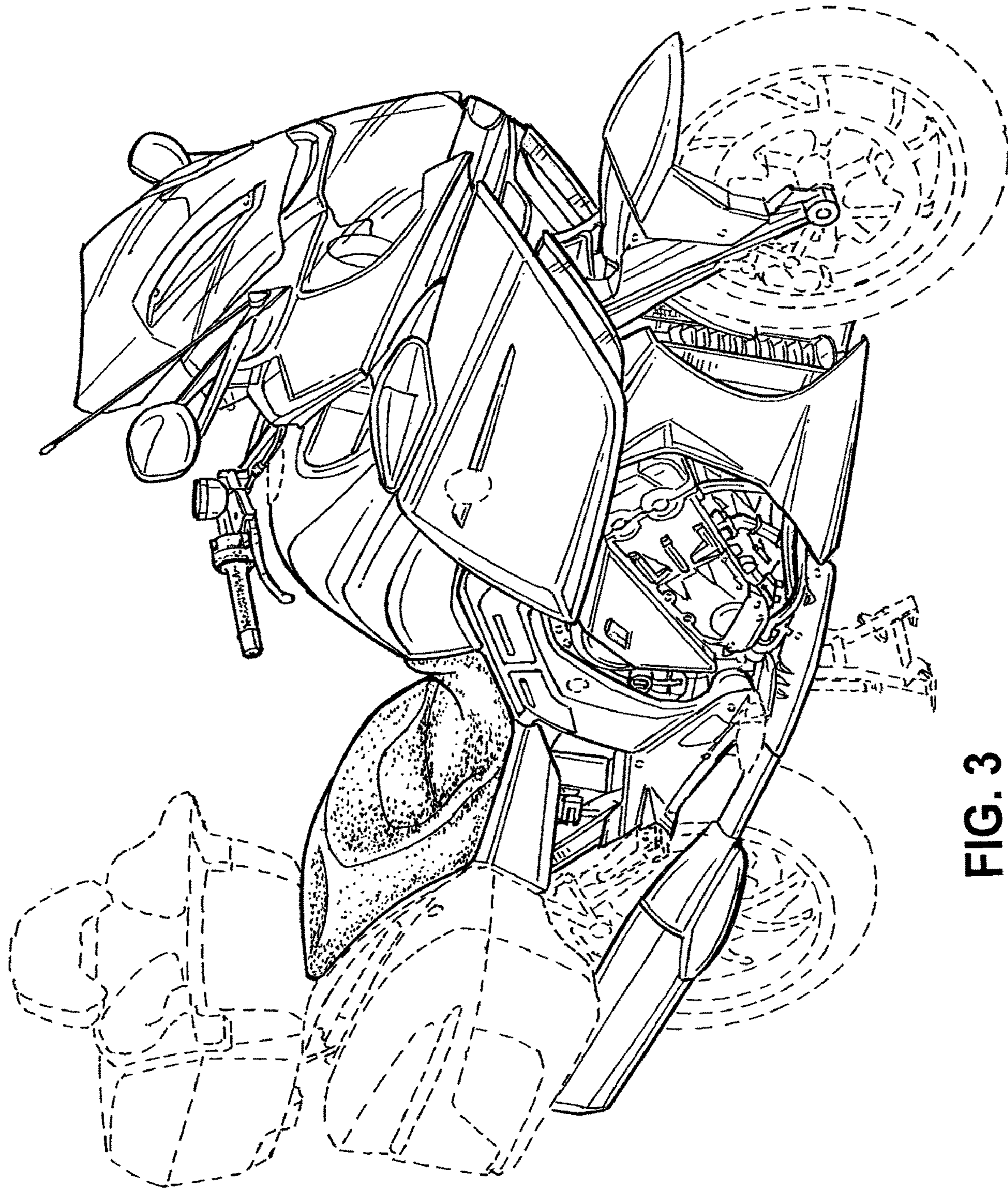


FIG. 3

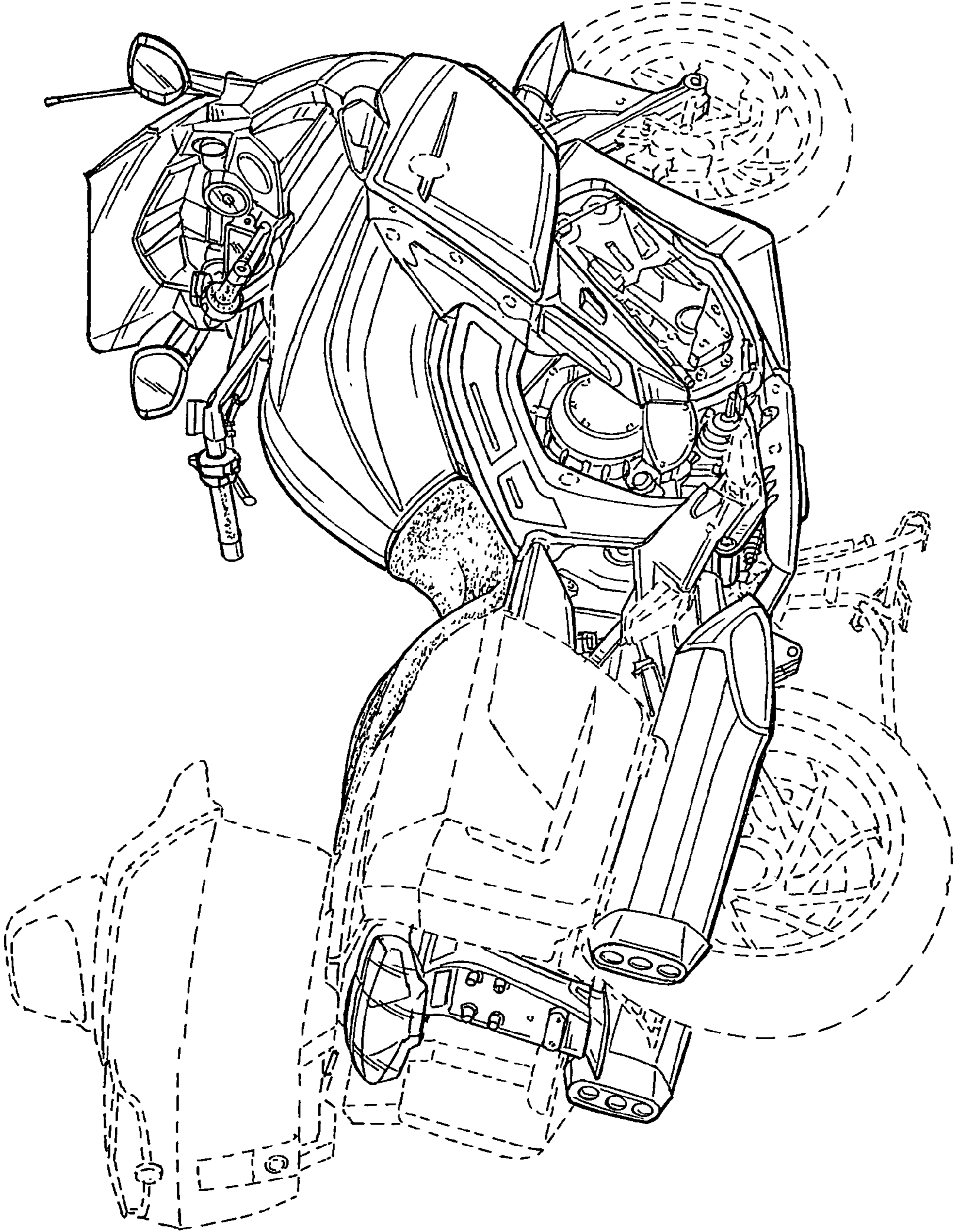


FIG. 4

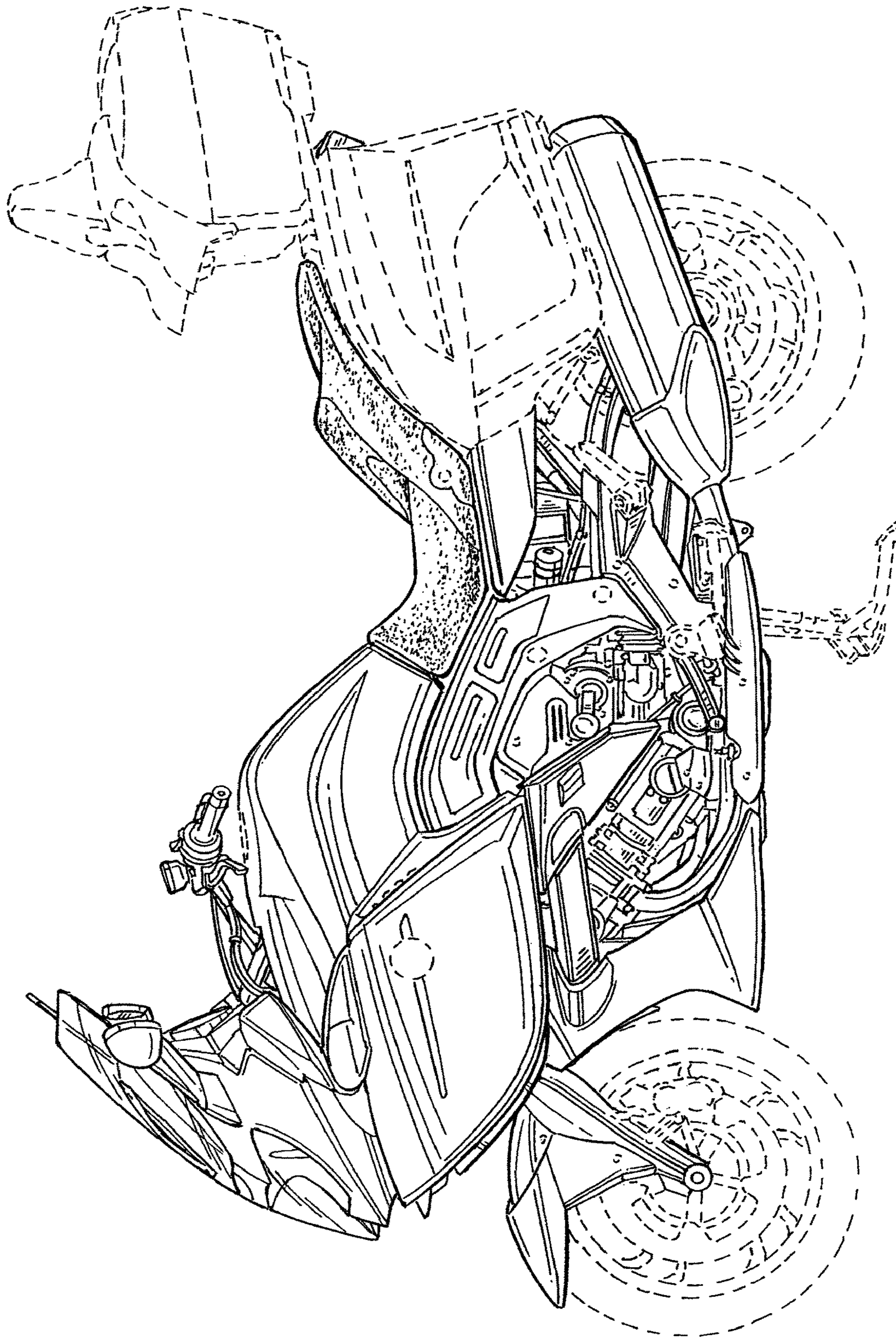


FIG. 5

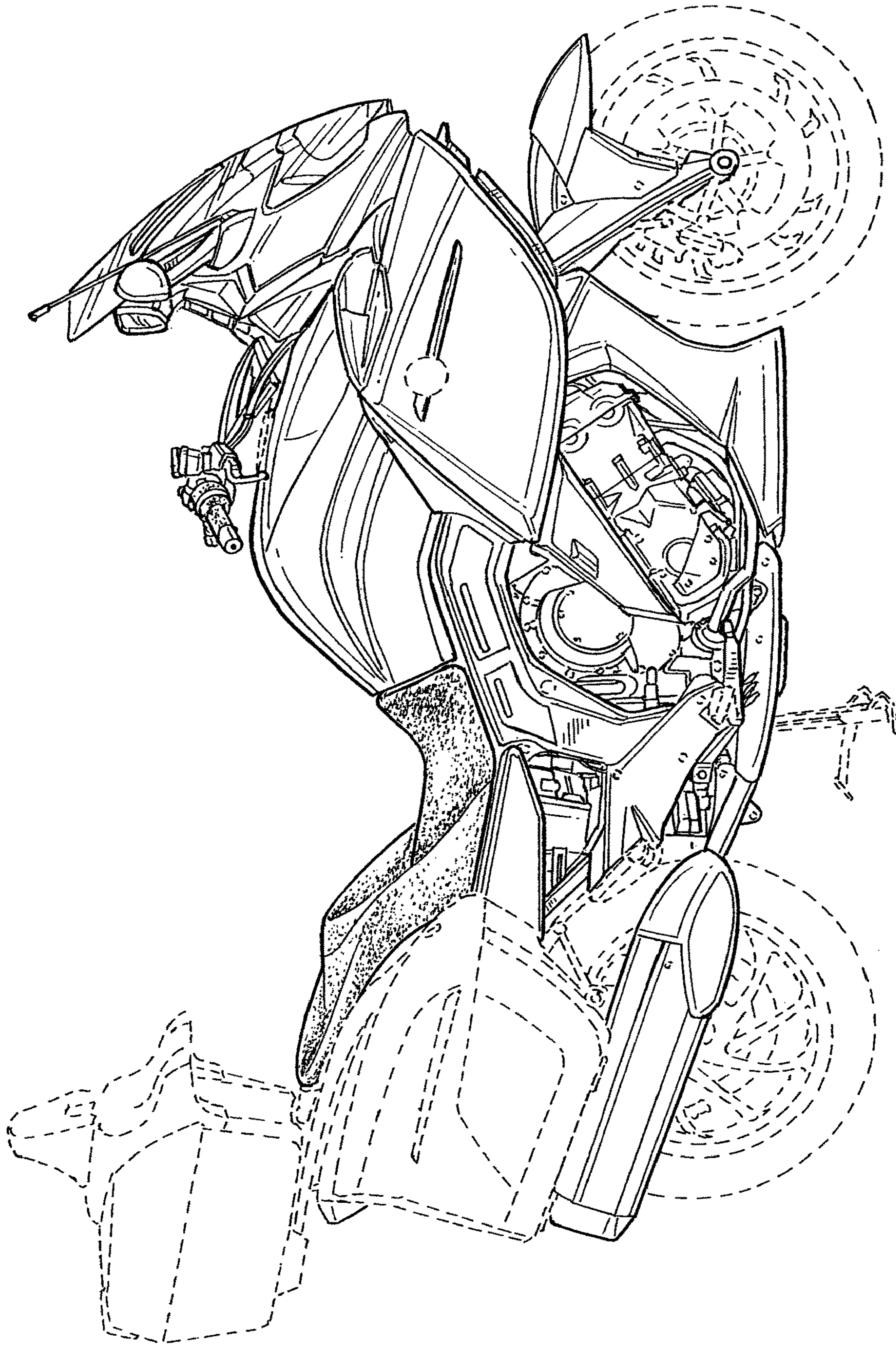


FIG. 6

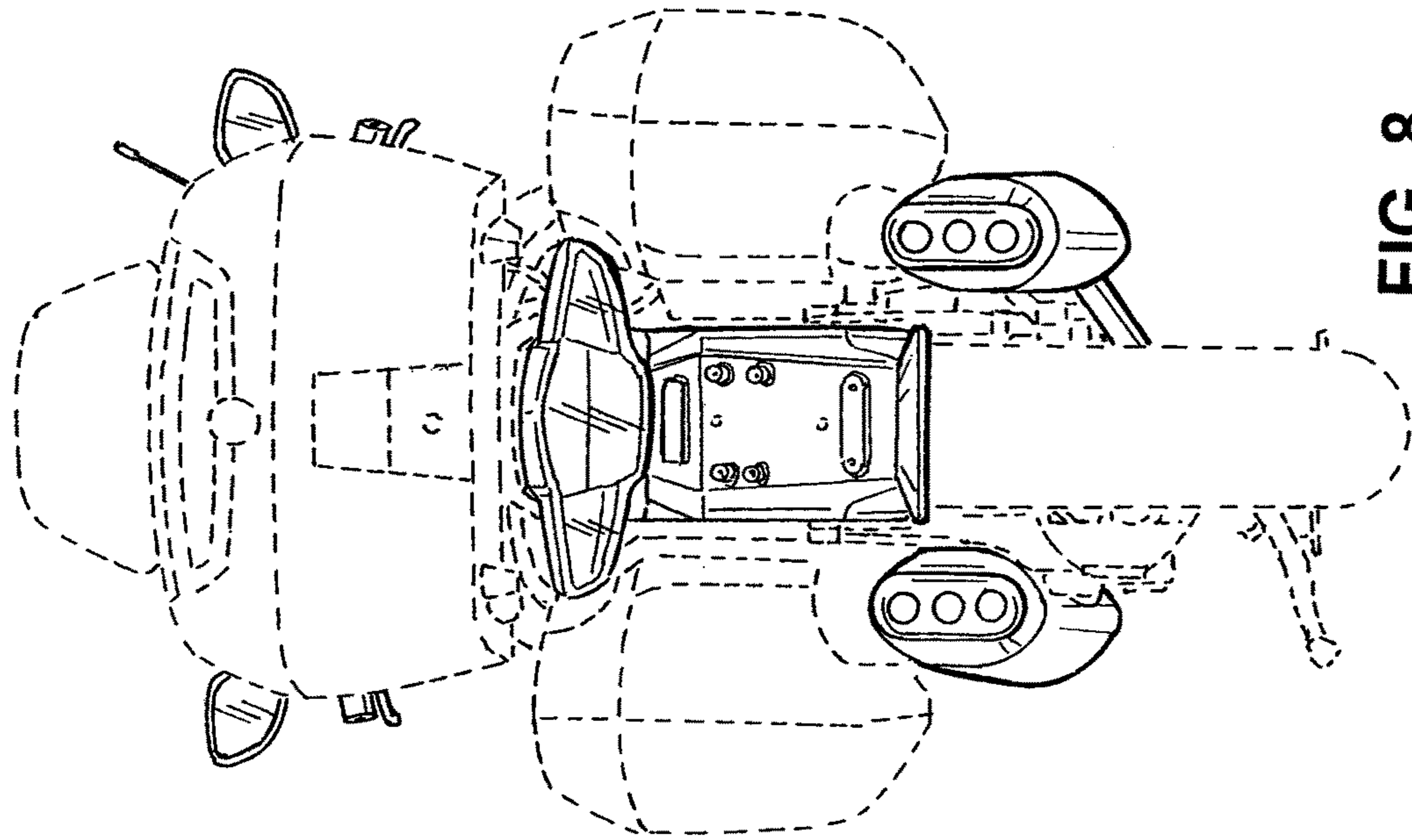


FIG. 8

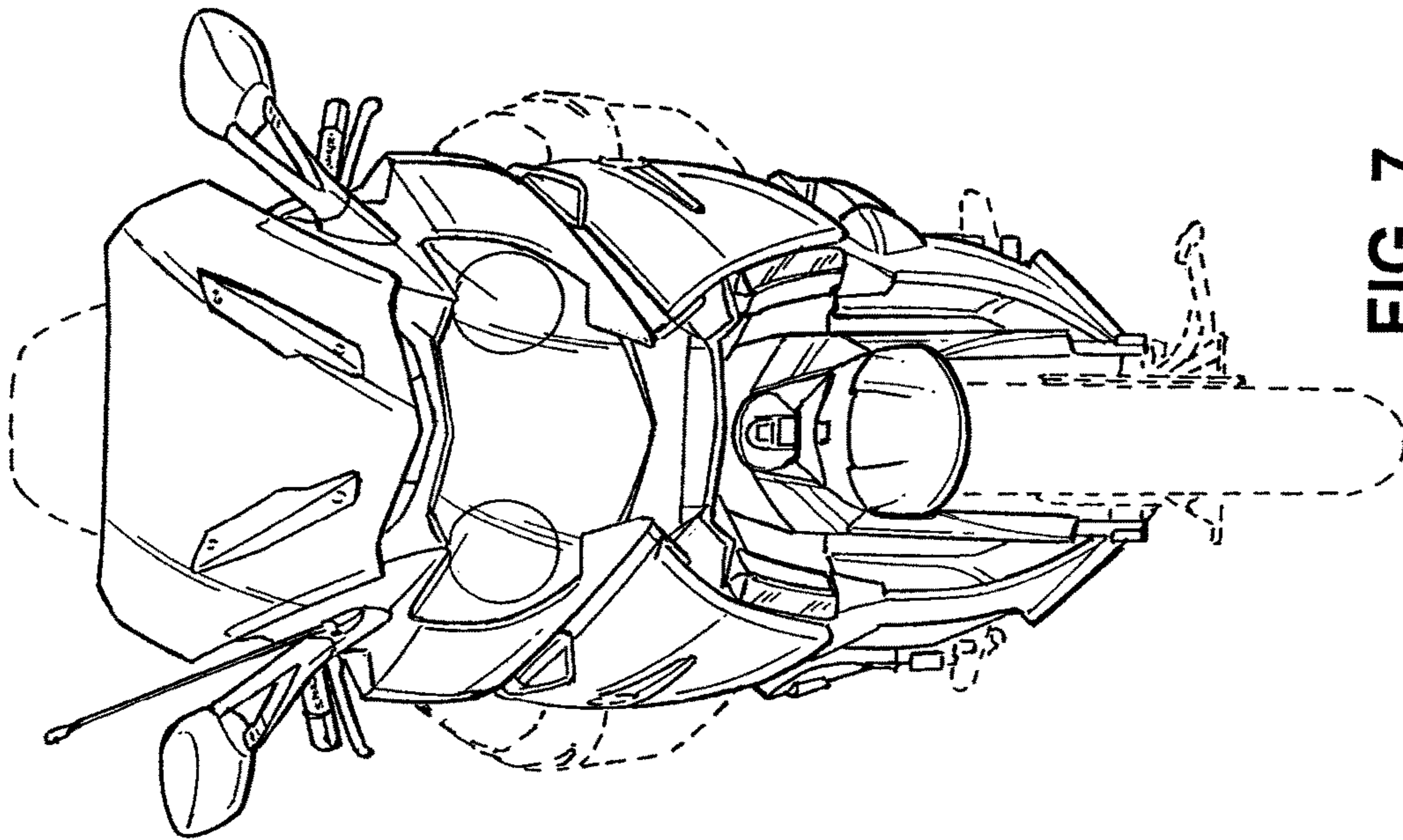


FIG. 7



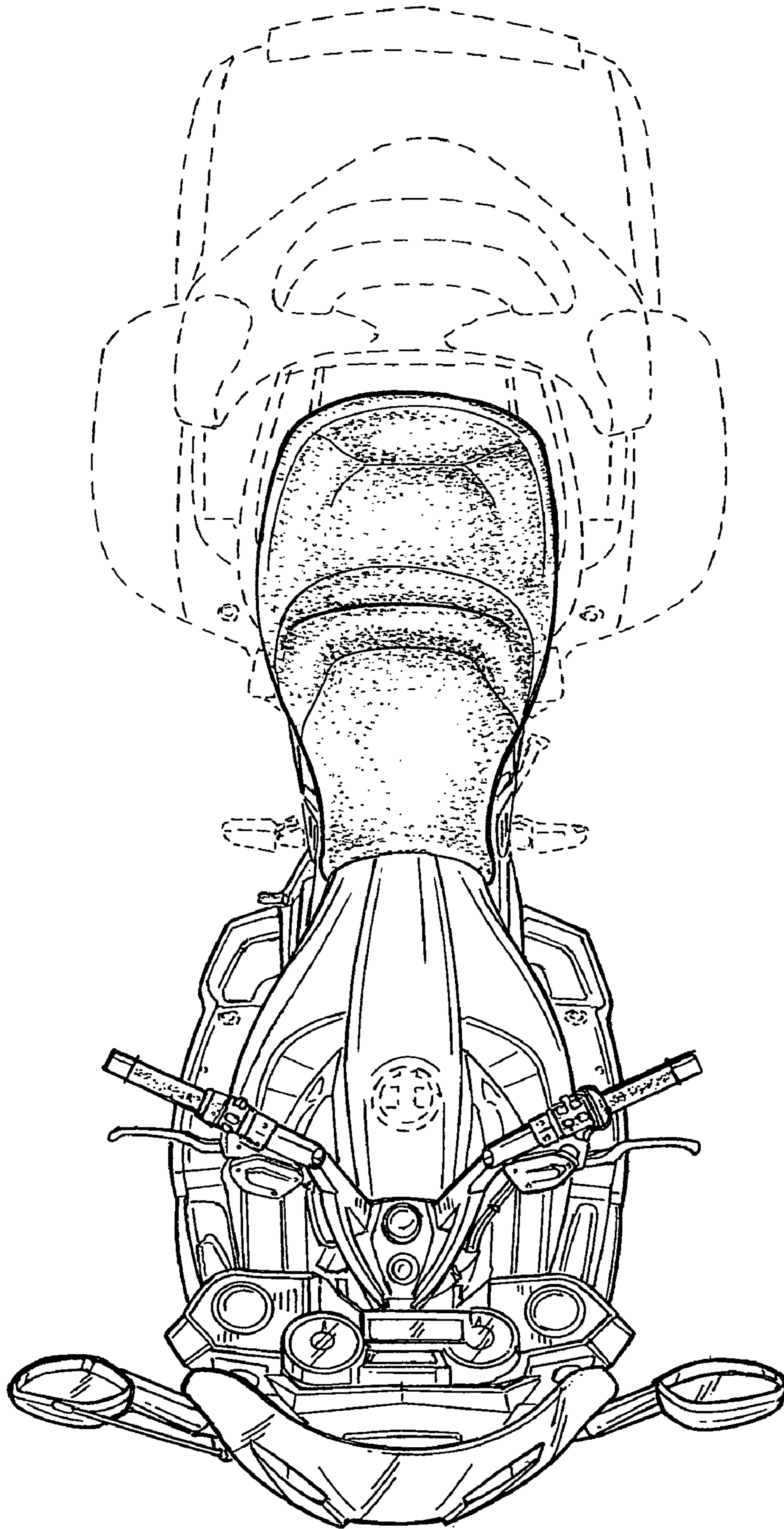


FIG. 9

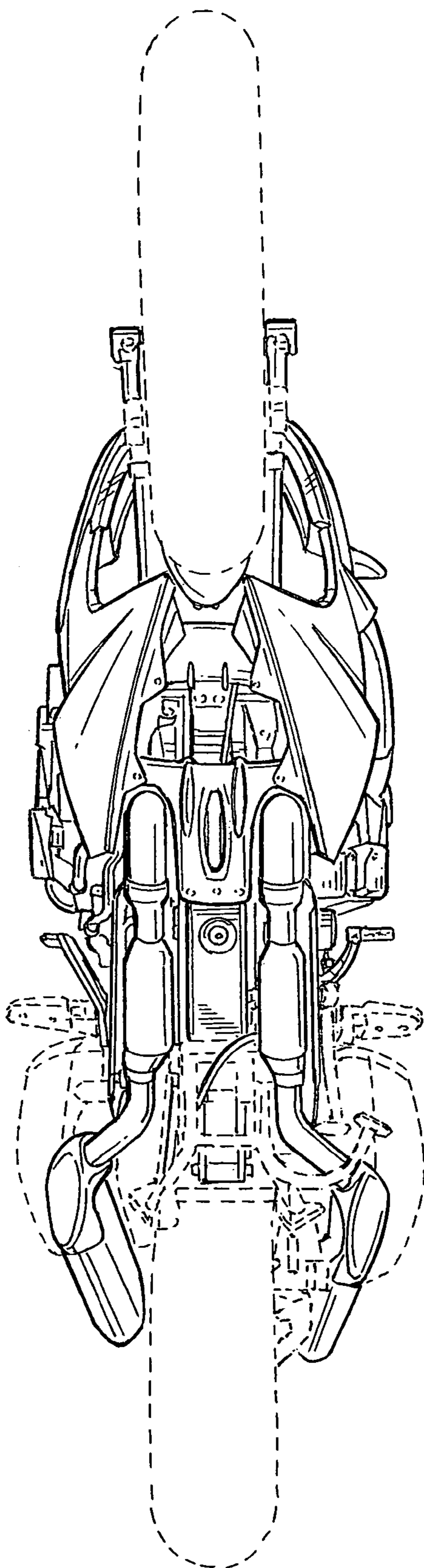


FIG. 10