



US00D665305S

(12) **United States Design Patent**
Eck

(10) **Patent No.:** **US D665,305 S**

(45) **Date of Patent:** **** Aug. 14, 2012**

(54) **FRONT PORTION OF ALL TERRAIN VEHICLE**

(75) Inventor: **Richard E. Eck**, Minneapolis, MN (US)

(73) Assignee: **Polaris Industries Inc.**, Medina, MN (US)

(**) Term: **14 Years**

(21) Appl. No.: **29/307,616**

(22) Filed: **Apr. 30, 2008**

Related U.S. Application Data

(63) Continuation of application No. 11/494,891, filed on Jul. 28, 2006, now Pat. No. 7,819,220.

(51) **LOC (9) Cl.** **12-13**

(52) **U.S. Cl.** **D12/14**

(58) **Field of Classification Search** D12/1, D12/86, 87; D21/433; 296/181.1
See application file for complete search history.

(56) **References Cited**

U.S. PATENT DOCUMENTS

D119,377 S	3/1940	Cadwallader
3,366,411 A	1/1968	Vittone
D237,873 S	12/1975	Johnson
D312,441 S	11/1990	Guelfi et al.
5,193,635 A	3/1993	Mizuno et al.
5,327,989 A	7/1994	Furuhashi et al.
D354,264 S	1/1995	McCoy
D373,099 S	8/1996	Molzon et al.
D391,911 S	3/1998	Lagaay et al.
D414,735 S	10/1999	Gerisch et al.
D421,934 S	3/2000	Hunter et al.
6,098,739 A	8/2000	Anderson et al.
D436,557 S	1/2001	Selby et al.
D461,151 S	8/2002	Morris
D467,200 S	12/2002	Luo et al.
6,523,634 B1	2/2003	Gagnon et al.

D472,193 S	3/2003	Sinkwitz
D476,935 S	7/2003	Boyer
6,626,260 B2	9/2003	Gagnon et al.
D490,018 S	5/2004	Berg et al.
D493,749 S	8/2004	Duncan
D494,890 S	8/2004	Katoh
D497,324 S *	10/2004	Chestnut et al. D12/1
D497,327 S	10/2004	Lai

(Continued)

OTHER PUBLICATIONS

International Preliminary Report on Patentability for PCT/US2006/048369 issued by the European Patent Office dated Nov. 11, 2008.

(Continued)

Primary Examiner — Michael Pratt

(74) *Attorney, Agent, or Firm* — Faegre Baker Daniels LLP

(57) **CLAIM**

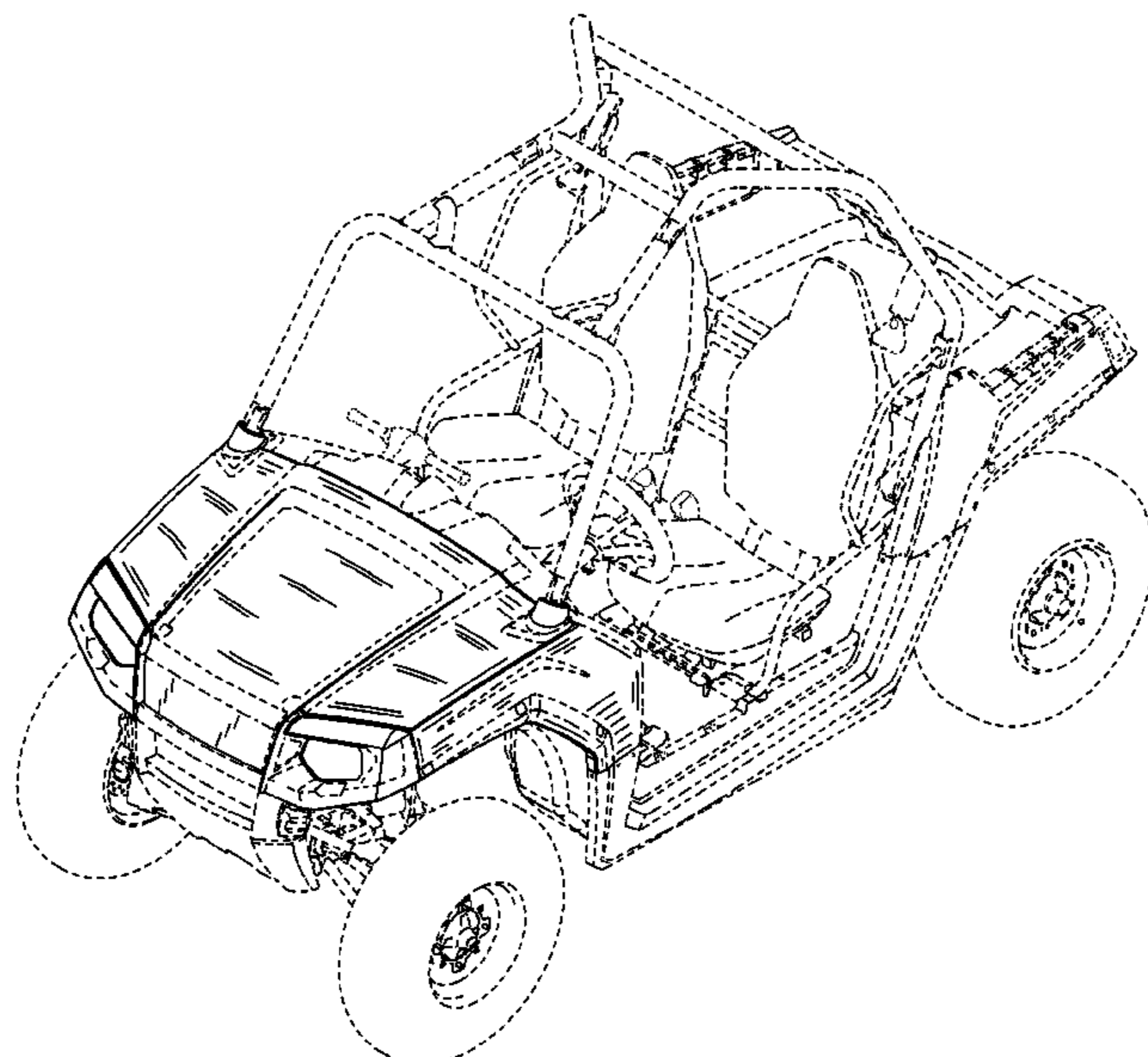
I claim the ornamental design for the front portion of all terrain vehicle, as shown and described.

DESCRIPTION

FIG. 1 is a perspective view of the front portion of an all terrain vehicle of the present design application; FIG. 2 shows a left side view of the front portion shown in FIG. 1; FIG. 3 shows a right side view of the front portion shown in FIG. 1; FIG. 4 shows a top view of the front portion shown in FIG. 1; and, FIG. 5 shows a front view of the front portion shown in FIG. 1.

The broken lines showing environment or structure are for illustrative purposes only and form no part of the claimed design. Other views of the front portion of an all terrain vehicle are not part of the ornamental design claimed and are therefore not shown.

1 Claim, 5 Drawing Sheets



U.S. PATENT DOCUMENTS

D498,435	S *	11/2004	Saito et al.	D12/1
D507,766	S	7/2005	McMahan et al.	
D508,224	S	8/2005	Mays et al.	
D511,317	S	11/2005	Tanaka et al.	
7,168,516	B2	1/2007	Nozak et al.	
D548,662	S	8/2007	Markefka	
D555,036	S *	11/2007	Eck	D12/87
7,367,247	B2	5/2008	Horiuchi et al.	
D578,433	S	10/2008	Kawaguchi et al.	
D578,934	S	10/2008	Tanaka et al.	
7,438,153	B2	10/2008	Kalsnes et al.	
D592,998	S *	5/2009	Woodard et al.	D12/14
D595,613	S *	7/2009	Lai et al.	D12/14
D604,201	S	11/2009	Kawaguchi et al.	
D605,555	S	12/2009	Tanaka et al.	
D606,900	S *	12/2009	Flores	D12/87
D622,631	S *	8/2010	Lai et al.	D12/87
D625,662	S *	10/2010	Li	D12/87
D631,395	S *	1/2011	Tandrup et al.	D12/14
D633,006	S *	2/2011	Sanschagrin et al.	D12/1
D639,208	S *	6/2011	Li	D12/86
D641,288	S *	7/2011	Sun	D12/87
D642,493	S *	8/2011	Goebert et al.	D12/87
D646,201	S *	10/2011	Zhang	D12/16
D650,311	S *	12/2011	Bracy	D12/87
2004/0031639	A1	2/2004	Deves et al.	
2004/0195034	A1	10/2004	Kato et al.	
2004/0206567	A1	10/2004	Kato et al.	
2005/0173177	A1	8/2005	Smith et al.	
2005/0279541	A1	12/2005	Peters	
2005/0280254	A1	12/2005	Ervin	
2006/0180383	A1	8/2006	Bataille et al.	
2007/0267241	A1	11/2007	Ball	

OTHER PUBLICATIONS

Ray Sedorchuk, New for 2004, Yamaha Rhino 660 4x4, ATV Connection Magazine, Copyright 1996-2005, 4 pgs., Internet webpage.
 Yamaha, company website, 2006 Rhino 450 Auto 4x4, Copyright 2006, 4 pgs.
 Yamaha, company website, 2006 Rhino 660 Auto 4x4 Special Edition, Copyright 2006, 4 pgs.

Yamaha, company website, 2006 Rhino 660 Auto 4x4, Copyright 2006, 4 pgs.
 Yamaha, company website, 2006 Rhino 660 Auto 4x4 Exploring Edition, Copyright 2006, 13 pgs.
 Arctic Cat, company website, Prowler XT 650 H1, at least as early as Dec. 19, 2006, 9 pgs.
 Club Car, company website, product pages for XRT 1500 SE, at least as early as Dec. 19, 2006, 2 pgs.
 Honda Hippo 1800 New Competition for Yamaha's Rhino, Dirt Wheels Magazine, Apr. 2006, pp. 91-92.
 Buyers' Guide Supplement, 2006 Kart Guide, Powersports Business Magazine, 6 pgs.
 Oliver, Tony "Kubelwagon, Volkswagen Type 82, Including The Schwimmwagen and Trippel", 1978, 49 pages, Almark Publishing Co. Ltd., New Malden, Surrey England.
 Defendants' Motion to Stay Infringement Count and Dismiss Remaining Counts for Failure to State a Claim Under Rule 12(b)(6); United States District Court for the District of Minnesota Civil No. 10-CV-4362(JNE/AJB); *Polaris Industries Inc., v. CFMOTO Powersports, Inc.; CFMOTO America, Inc.; John T. Angela M. O'Mara d/b/a Quad Central Motorsports; and Leo's Kawasaki Sales South Inc.*; Filed Nov. 22, 2010, 2 pages.
 Defendants' Memorandum of Law in Support of Motion to Stay Patent Infringement Count and Dismiss Remaining Counts for Failure to State a Claim Under Rule 12(b)(6); United States District Court for the District of Minnesota Civil No. 10-CV-4362(JNE/AJB); *Polaris Industries Inc., v. CFMOTO Powersports, Inc.; CFMOTO America, Inc.; John T. Angela M. O'Mara d/b/a Quad Central Motorsports; and Leo's Kawasaki Sales South Inc.*; Filed Jan. 13, 2011, 30 pages.
 Request for Inter Partes Reexamination; Filed: Dec. 1, 2010; Patent No. 7,819,220 B2; Issued: Oct. 26, 2010; Patentee: Richard Larry Sundahl et al.; Title: Side-By-Side ATV; 42 pages.
 Replacement Statement (Corrected Request for Inter Partes Reexamination); Filed: Dec. 22, 2010; Patent No. 7,819,220 B2; Issued: Oct. 26, 2010; Patentee: Richard Larry Sundahl et al.; Title: Side-By-Side ATV; 60 pages.
 Polaris Industries, Inc., 2005-2006 Ranger XP and 2006 Ranger 6x6 EFI Owners Manual, Chapter 2, "Maintenance," p. 2.1-2.36.

* cited by examiner

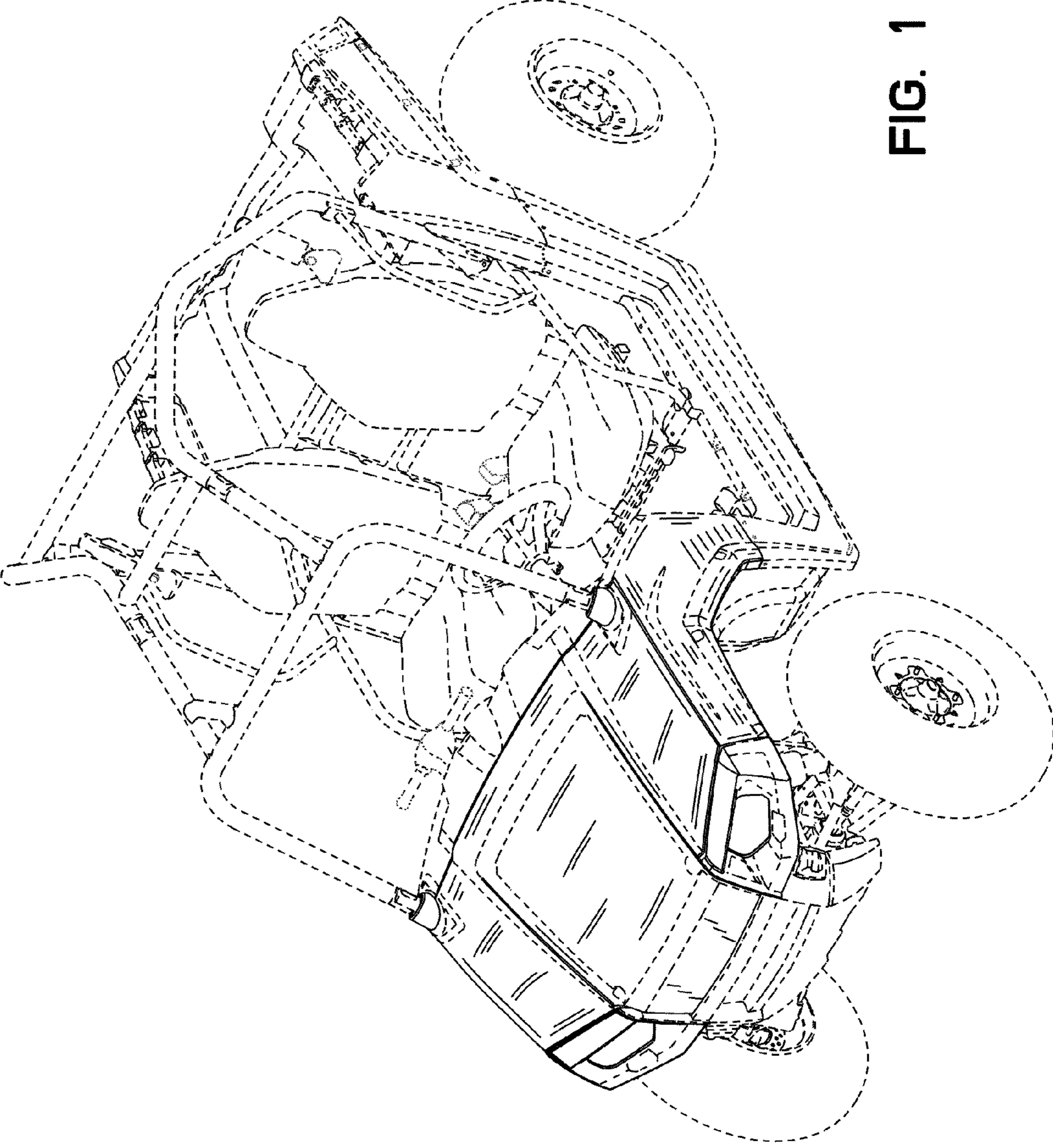


FIG. 1

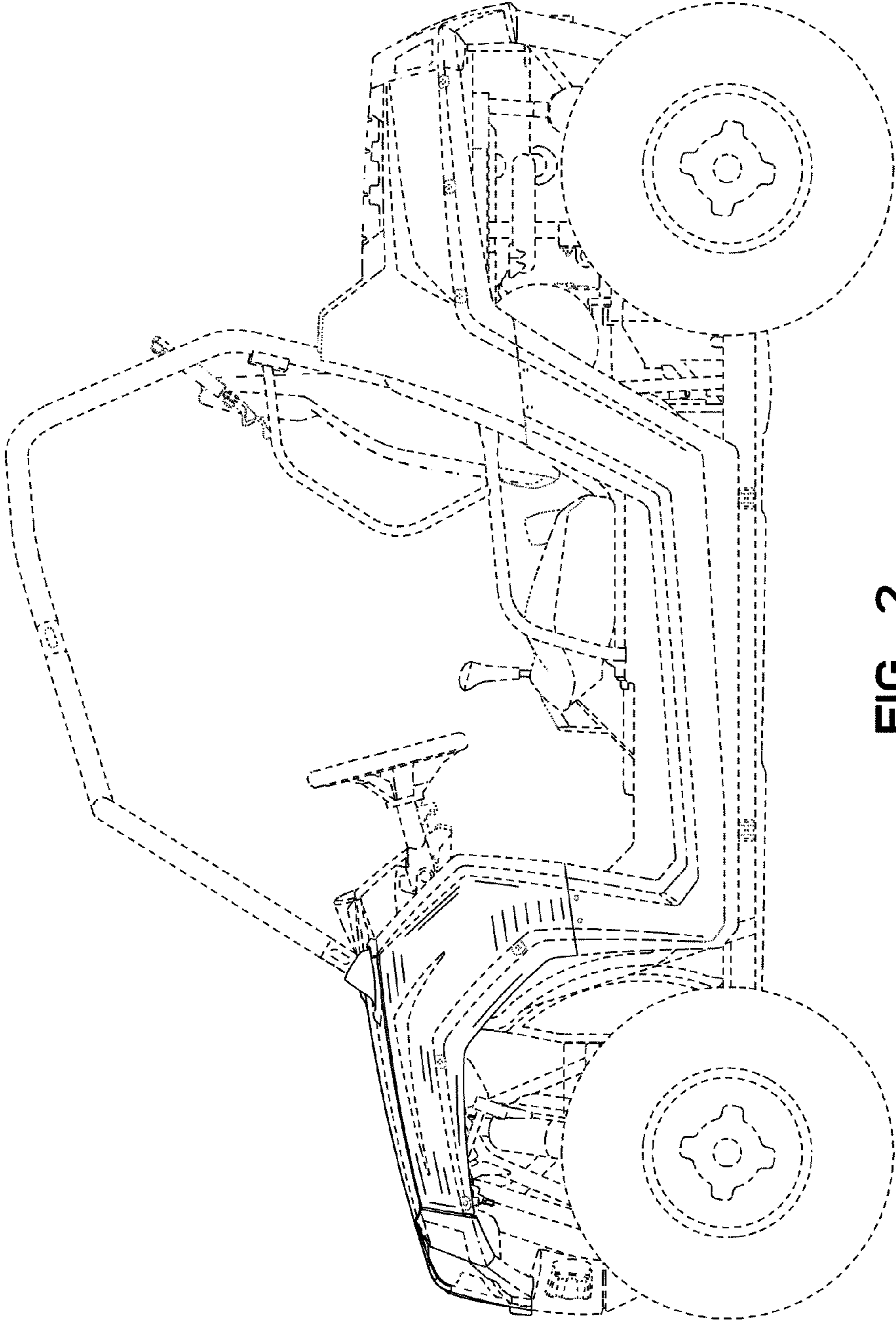


FIG. 2

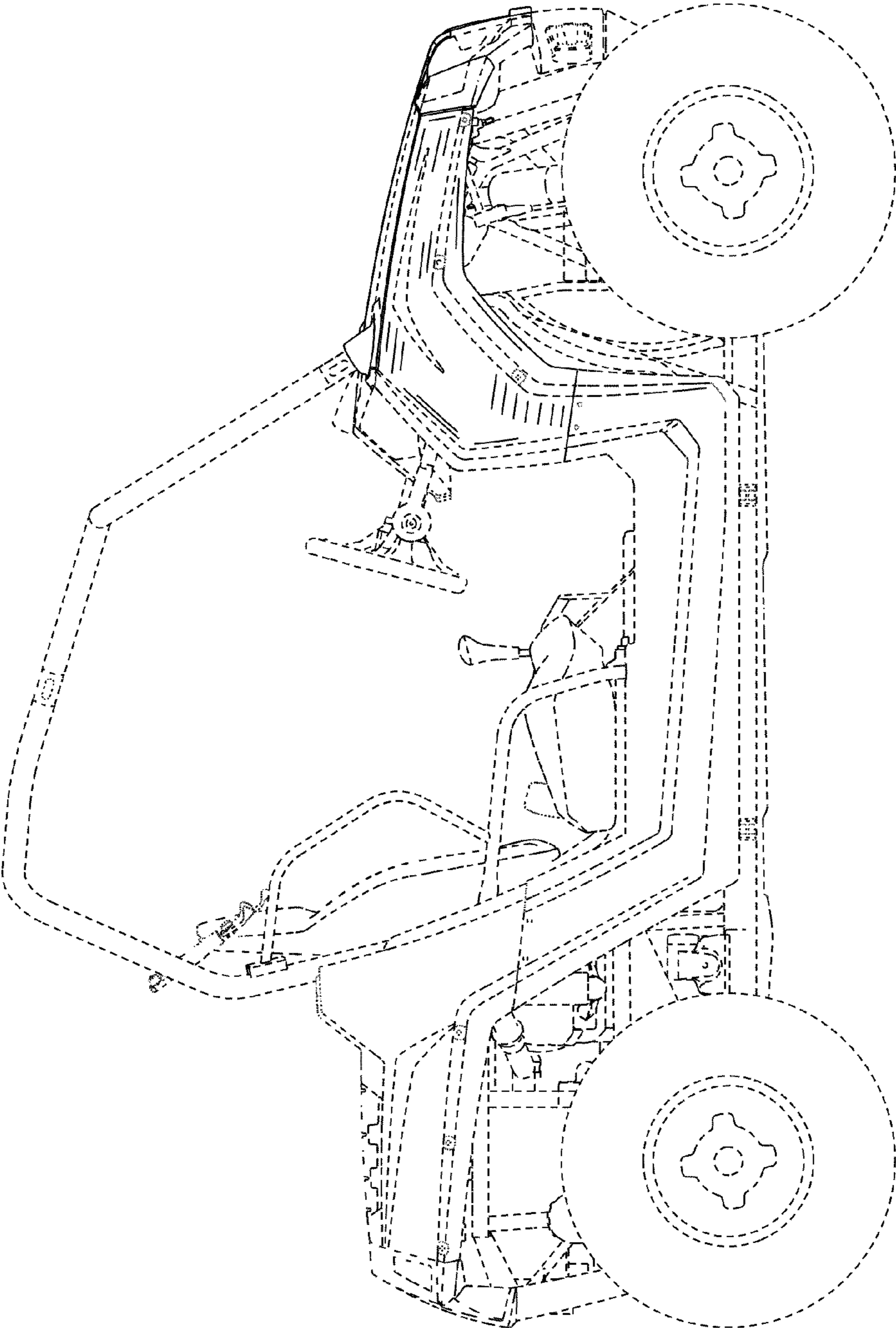


FIG. 3

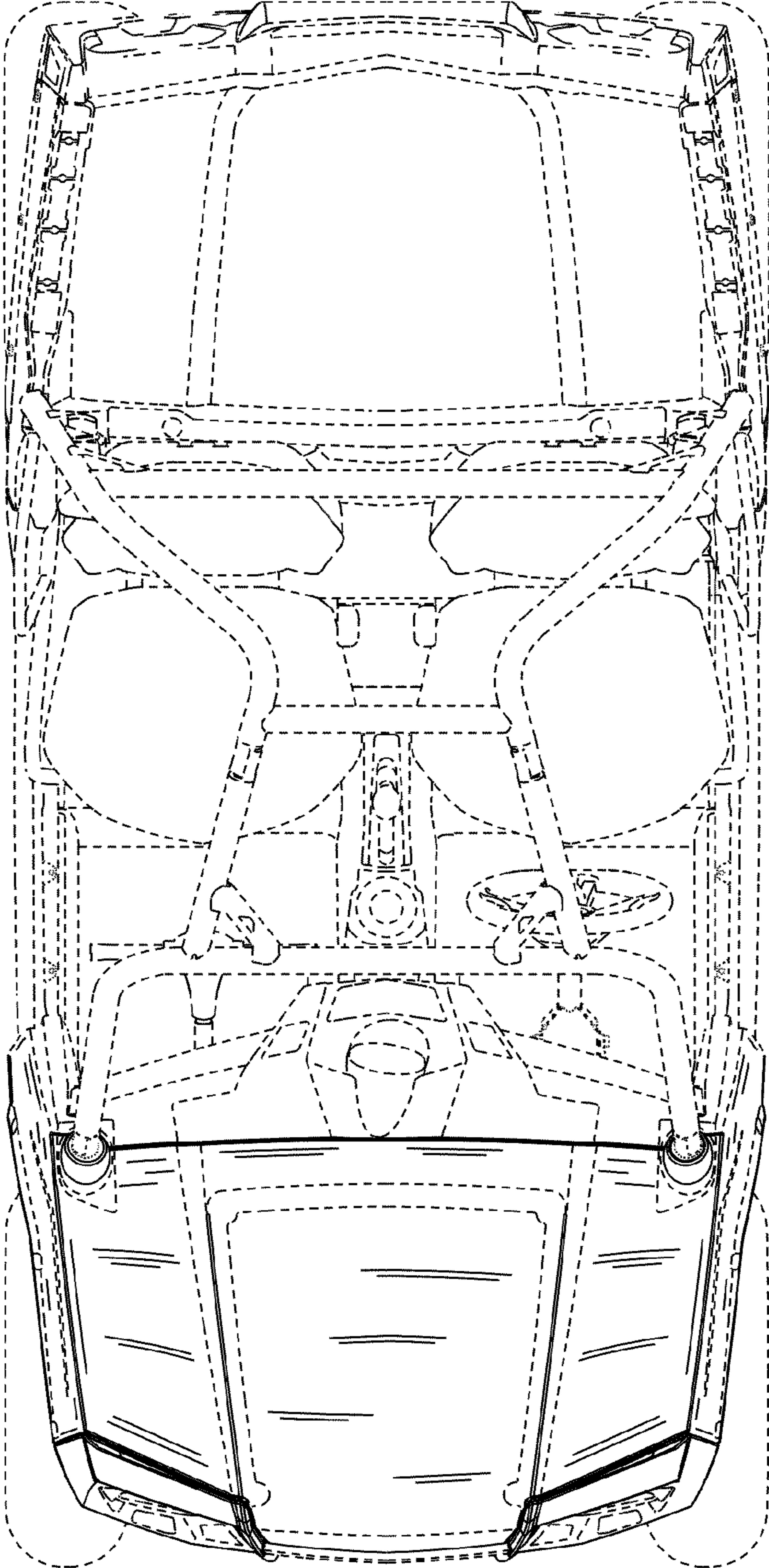


FIG. 4

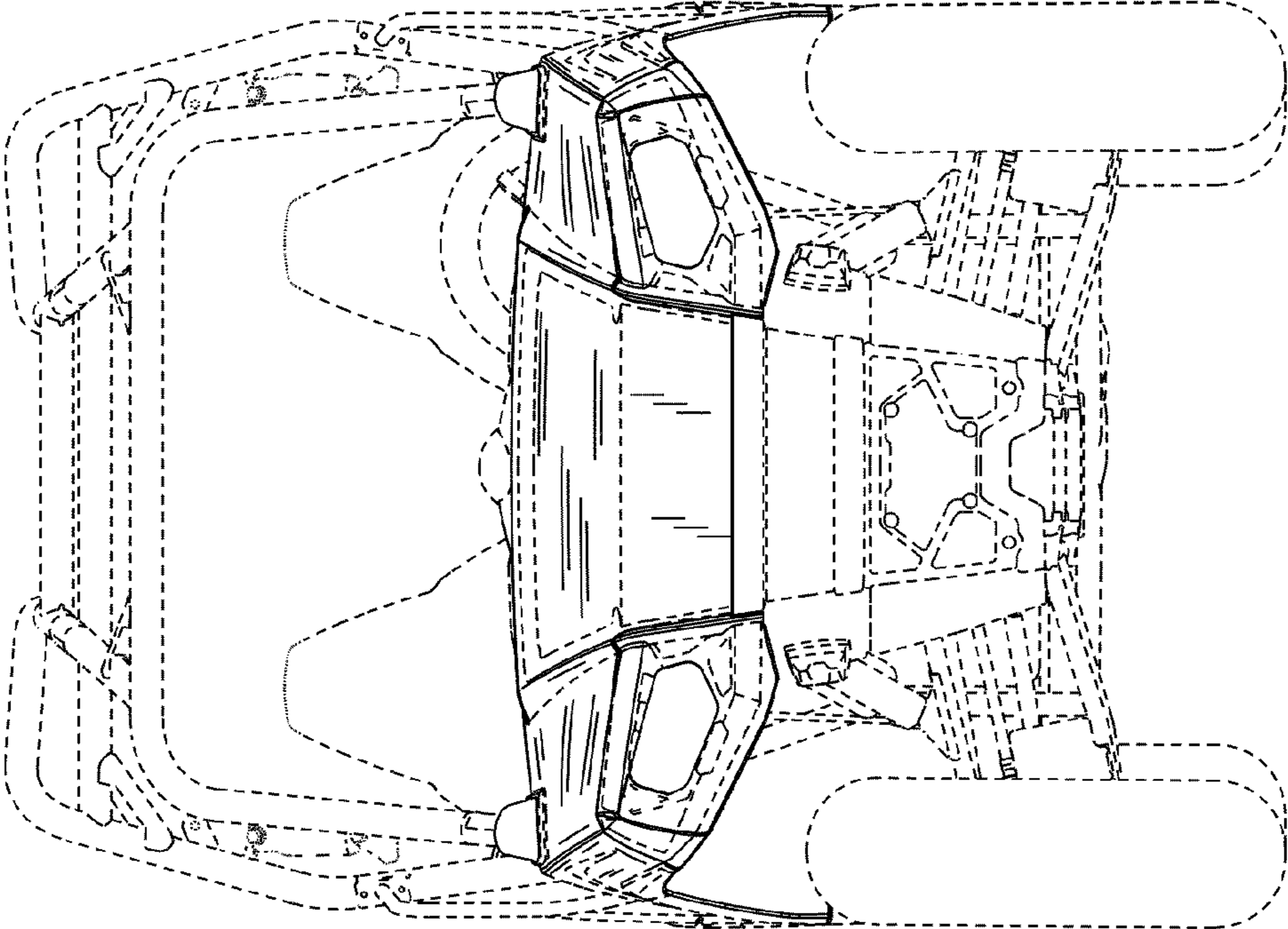


FIG. 5