

US00D665304S

(12) **United States Design Patent**
Takeda

(10) **Patent No.:** **US D665,304 S**

(45) **Date of Patent:** **** Aug. 14, 2012**

(54) **FEMALE PART OF A SNAP BUTTON**

(75) **Inventor:** **Tadashi Takeda**, Osaka (JP)

(73) **Assignee:** **Takeda Seiki, Co., Ltd.**, Osaka (JP)

(**) **Term:** **14 Years**

(21) **Appl. No.:** **29/413,057**

(22) **Filed:** **Feb. 10, 2012**

(30) **Foreign Application Priority Data**

Nov. 9, 2011 (JP) 2011-025815

(51) **LOC (9) Cl.** **02-07**

(52) **U.S. Cl.** **D11/220**

(58) **Field of Classification Search** D11/220,
D11/222, 226, 218; 24/1, 681, 662, 90.5,
24/18, 683, 108, 674, 623, 671, 94, 618;
292/319; D8/382

See application file for complete search history.

(56) **References Cited**

U.S. PATENT DOCUMENTS

2,519,316	A *	8/1950	Jones	24/1
2,546,716	A *	3/1951	Bedford, Jr.	24/681
2,668,340	A *	2/1954	Jones	24/681
2,799,910	A *	7/1957	Weber	24/681
2,941,270	A *	6/1960	Long	292/319
3,083,430	A *	4/1963	Shears	24/662
3,290,744	A *	12/1966	Silver	24/90.5
3,551,963	A *	1/1971	Mosher, Jr. et al.	4/618
3,916,756	A *	11/1975	Yoda	24/683
4,475,273	A *	10/1984	Konno	24/108
4,698,881	A *	10/1987	Watanabe	24/674
4,751,773	A *	6/1988	Nysten	24/681

4,805,272	A *	2/1989	Yamaguchi	24/623
4,805,273	A *	2/1989	Burke et al.	24/662
D301,567	S *	6/1989	Burke	D11/220
4,847,959	A *	7/1989	Shimada et al.	24/671
5,101,541	A *	4/1992	Watanabe	24/674
D350,501	S *	9/1994	Schriever	D11/220
5,375,302	A *	12/1994	Takamura	24/94
D410,412	S *	6/1999	Tominaga et al.	D11/220
5,933,929	A *	8/1999	Kawakami et al.	24/681
5,940,940	A *	8/1999	Tanikoshi et al.	24/108
D415,717	S *	10/1999	Akashi	D11/220
D431,208	S *	9/2000	Akashi et al.	D11/220
D441,318	S *	5/2001	Akashi et al.	D11/220
D473,158	S *	4/2003	Matsui et al.	D11/220
D473,820	S *	4/2003	Ming	D11/220

(Continued)

Primary Examiner — T. Chase Nelson

Assistant Examiner — Mark Cavanna

(74) *Attorney, Agent, or Firm* — Wenderoth, Lind & Ponack, L.L.P.

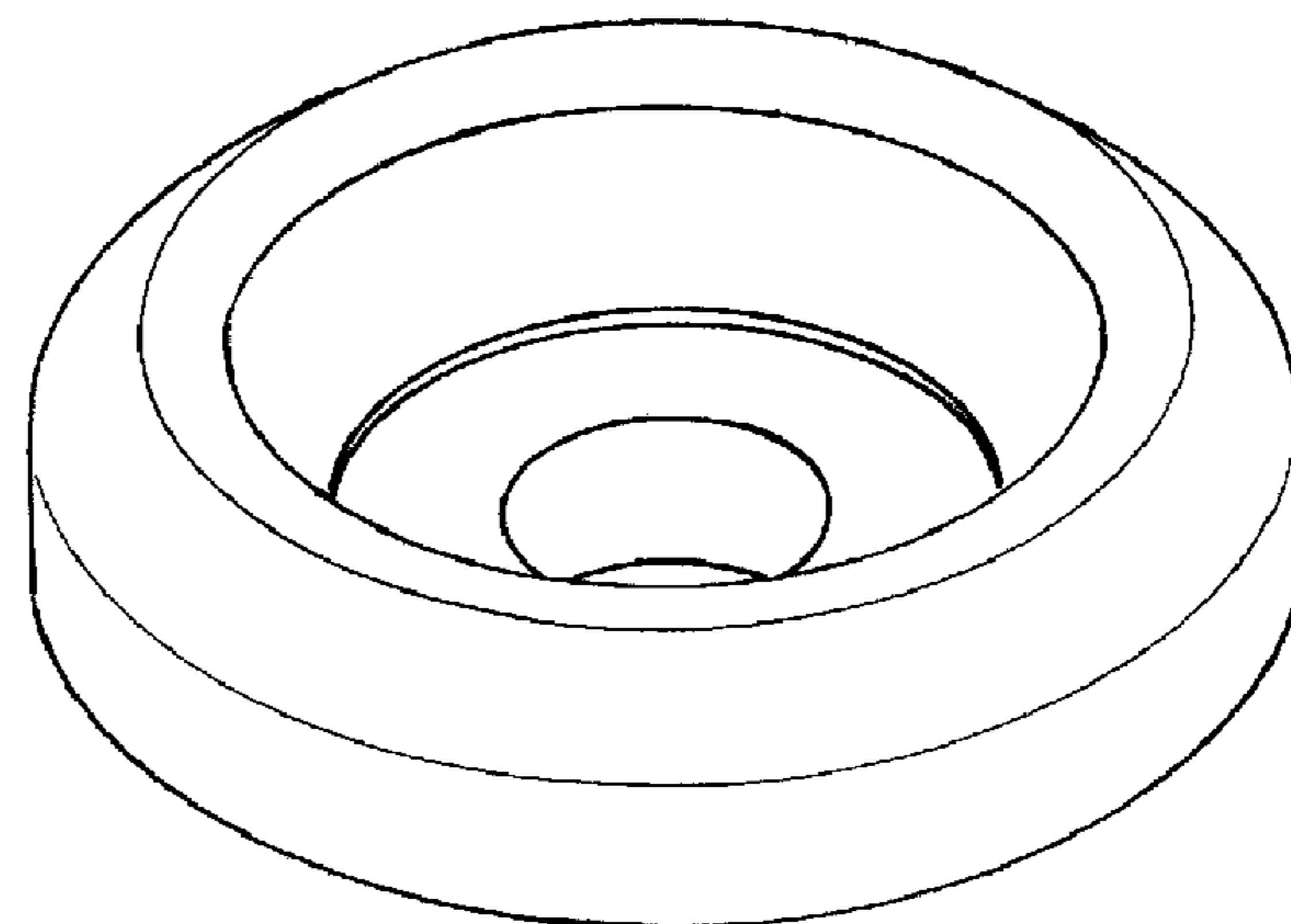
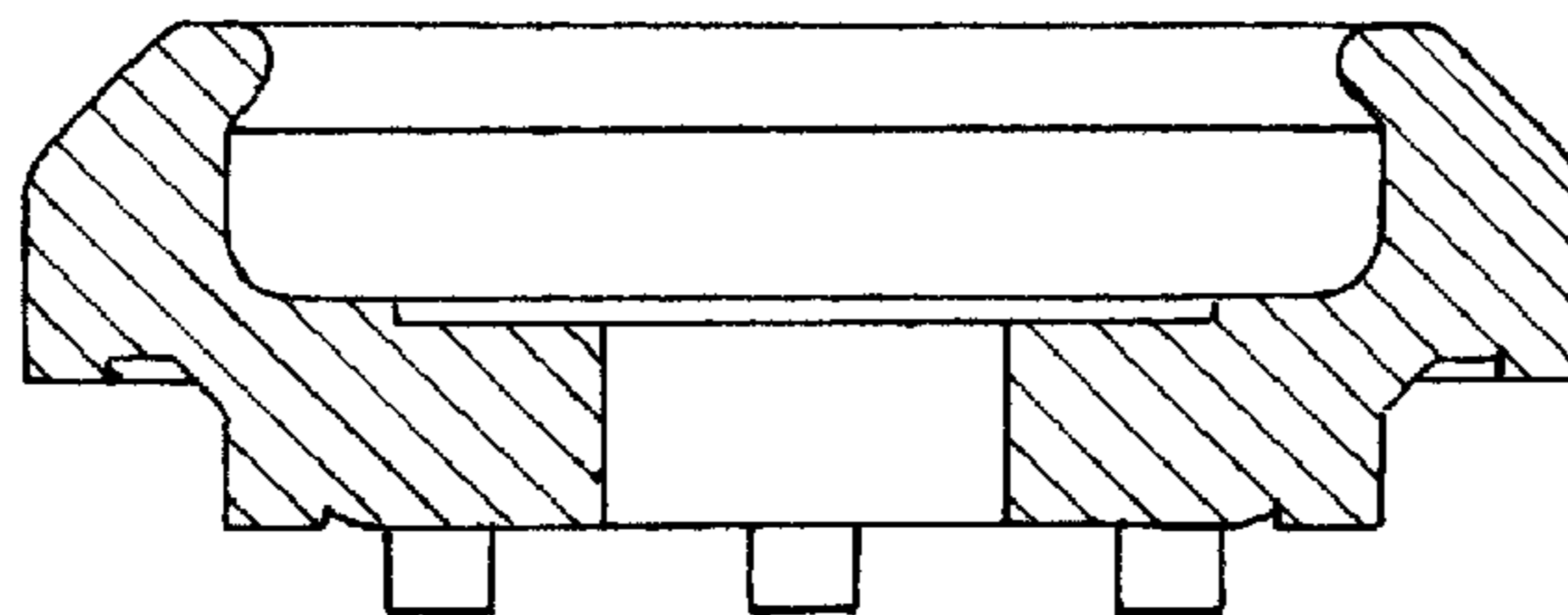
(57) **CLAIM**

The ornamental design for a female part of a snap button, as shown and described.

DESCRIPTION

FIG. 1 is a front view of a female part of a snap button; FIG. 2 is a back view of a female part of a snap button; FIG. 3 is a left side view of a female part of a snap button; FIG. 4 is a right side view of a female part of a snap button; FIG. 5 is a top view of a female part of a snap button; FIG. 6 is a bottom view of a female part of a snap button; FIG. 7 is a sectional view of a female part of a snap button taken along VII-VII in FIG. 5; and, FIG. 8 is a perspective view of a female part of a snap button.

1 Claim, 3 Drawing Sheets



US D665,304 S

Page 2

U.S. PATENT DOCUMENTS

D477,246 S *	7/2003	Takeda	D11/220	D592,997 S *	5/2009	Tardieu	D11/222
D481,654 S *	11/2003	Matsui et al.	D11/220	D626,451 S *	11/2010	Helwig et al.	D11/220
D489,292 S *	5/2004	Matsui et al.	D11/220	D636,292 S *	4/2011	Brown	D11/220
D493,388 S *	7/2004	Candotti	D11/226	D642,089 S *	7/2011	Chan	D11/220
D516,953 S *	3/2006	Hollingworth et al.	D11/220	D656,431 S *	3/2012	Bekker	D11/220
D539,698 S *	4/2007	Choi	D11/220				

* cited by examiner

FIG. 1

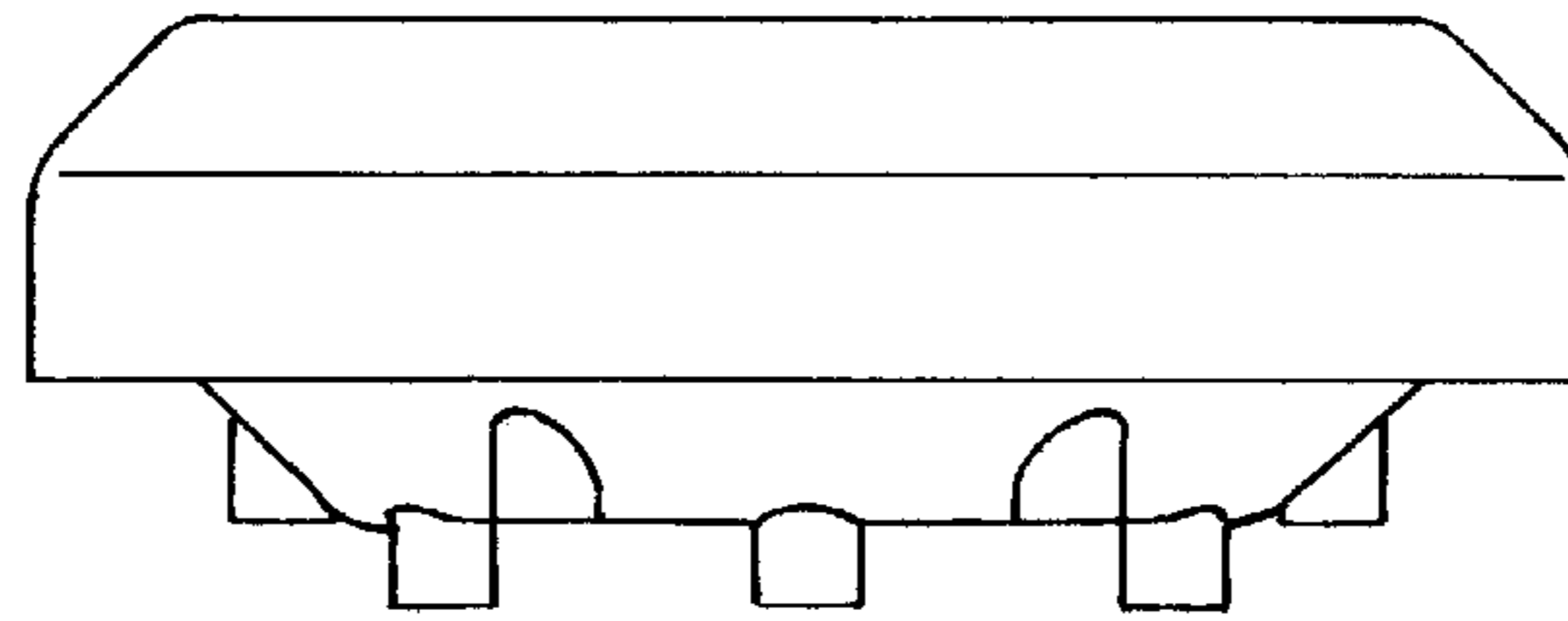


FIG. 2

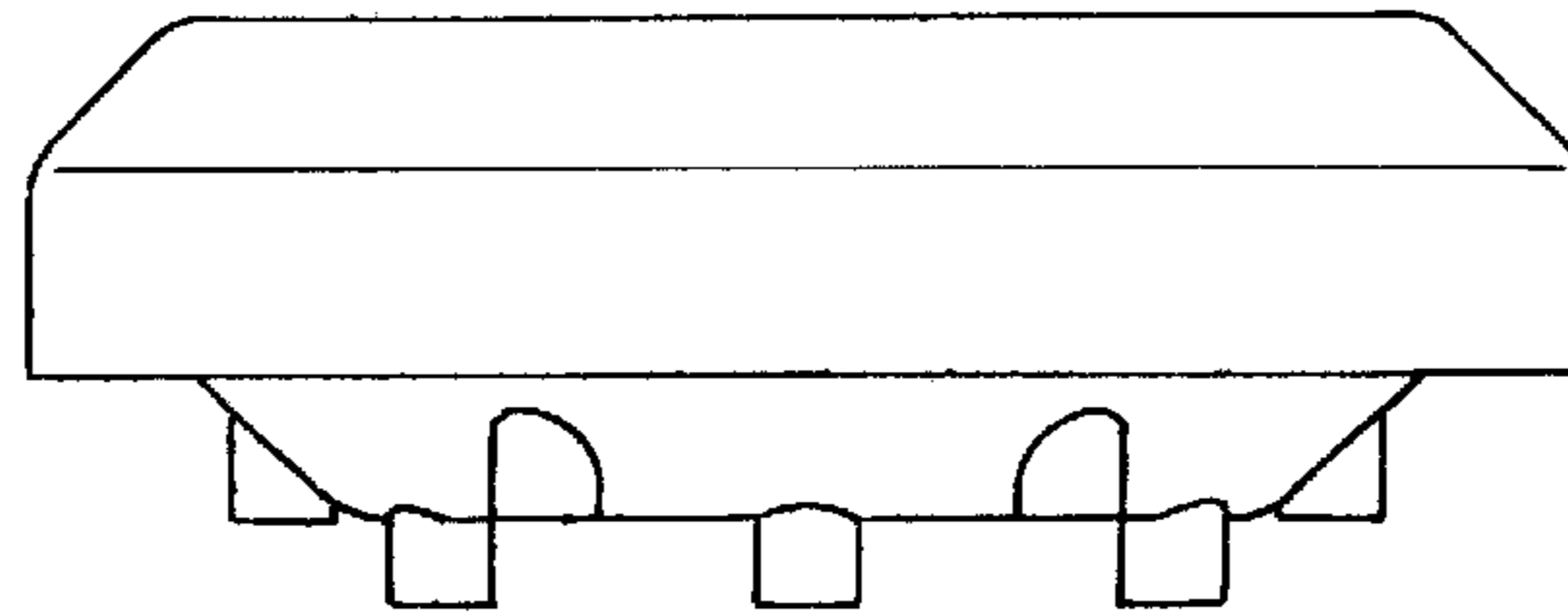


FIG. 3

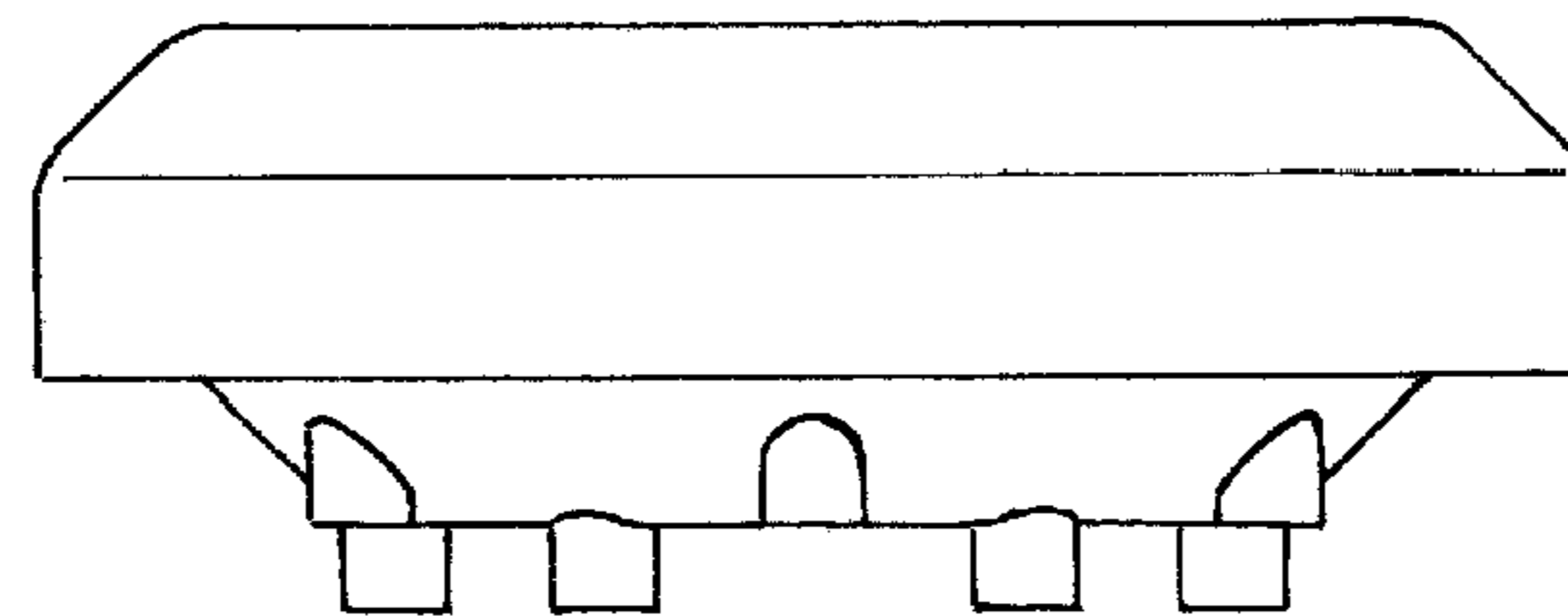


FIG. 4

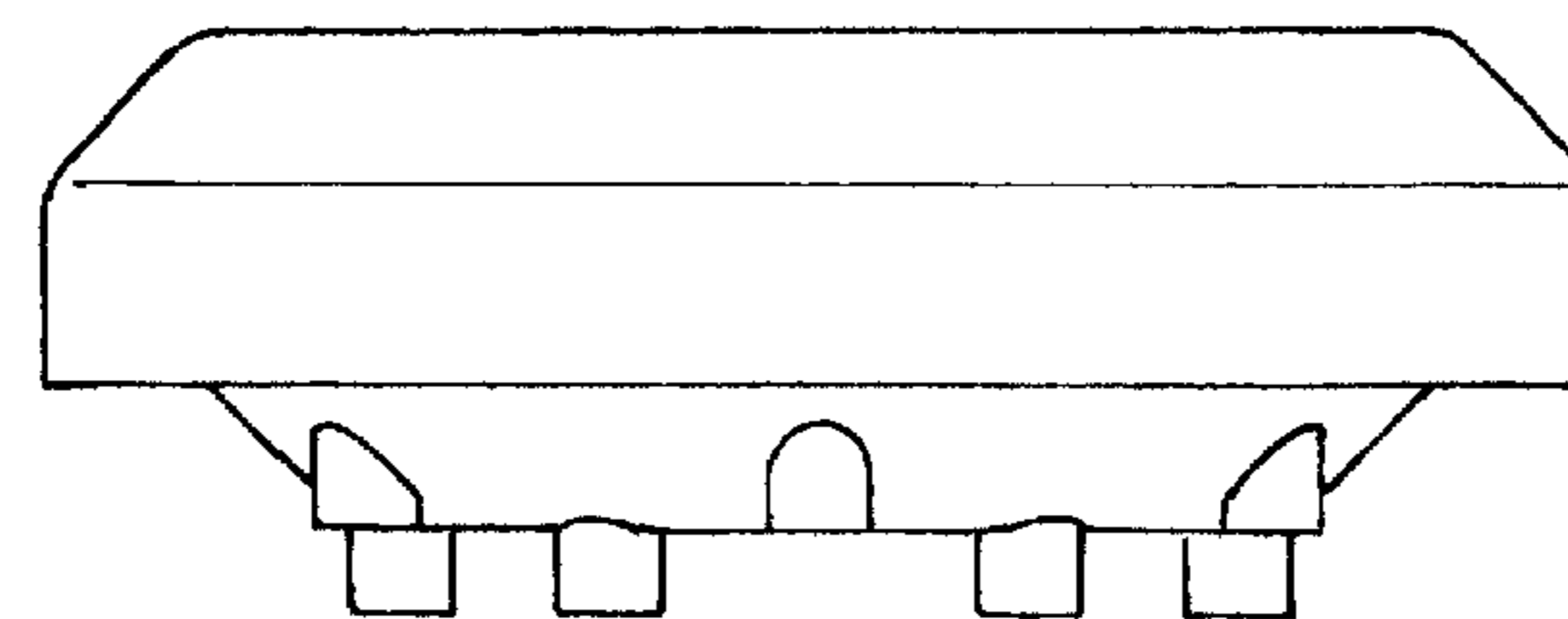


FIG. 5

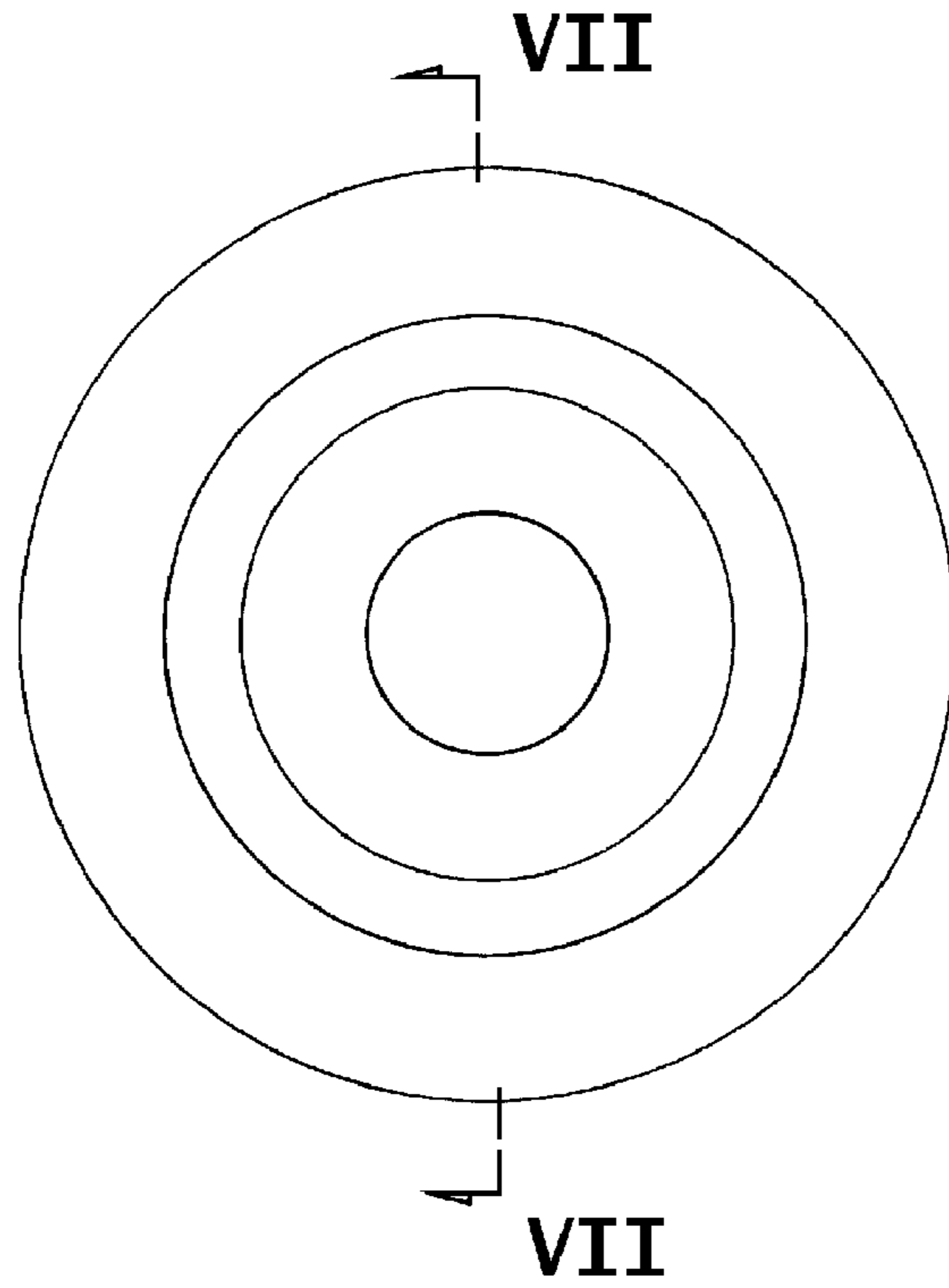


FIG. 6

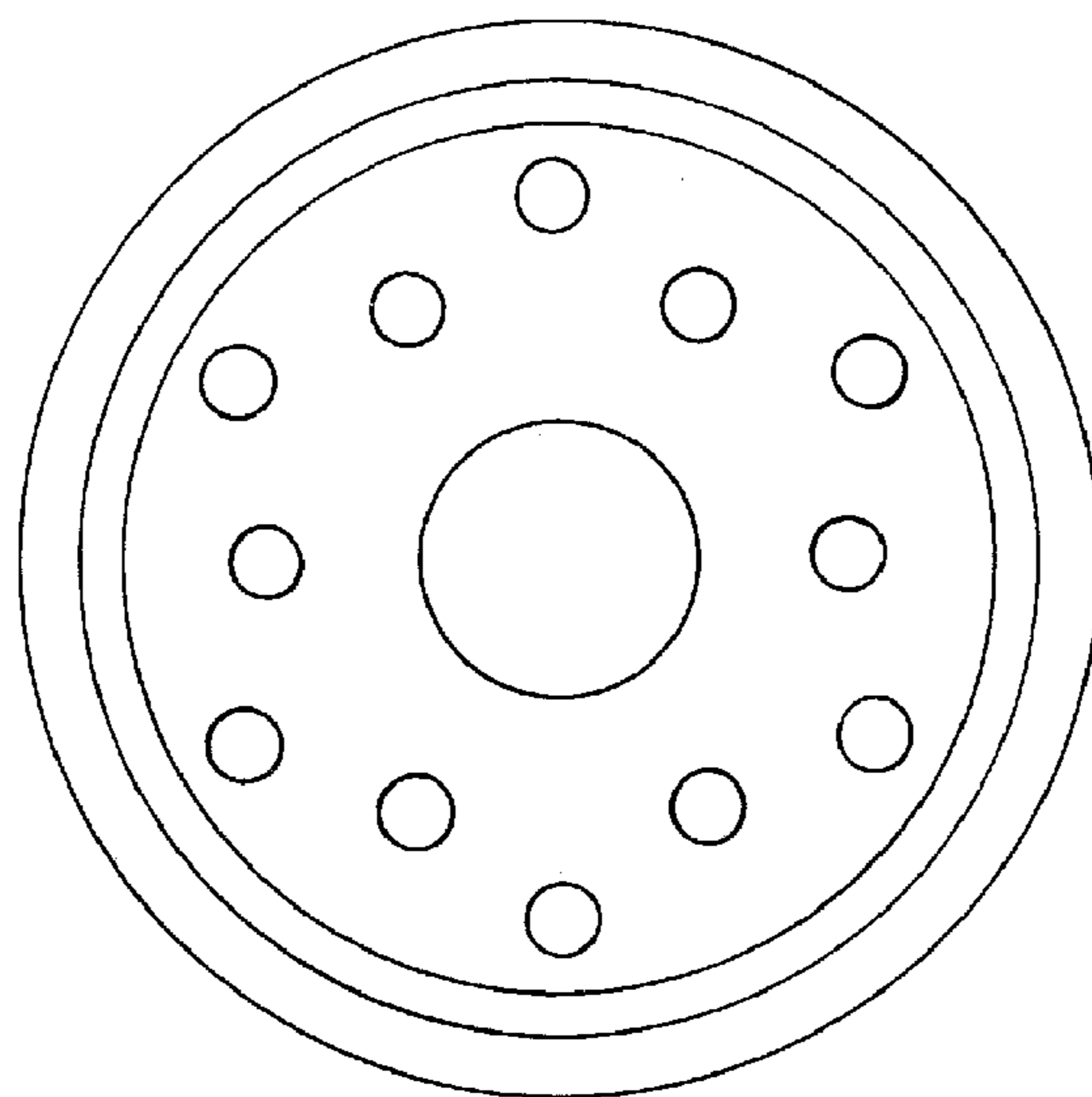


FIG. 7

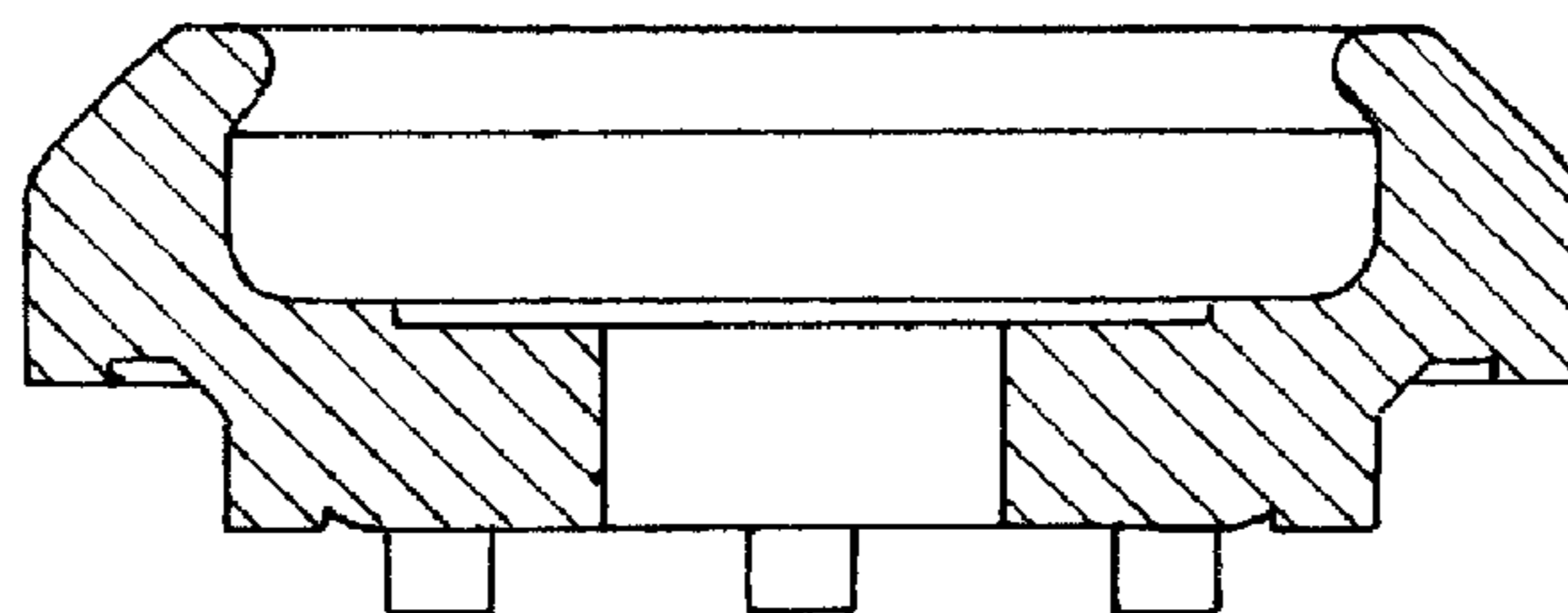


FIG. 8

