



US00D665303S

(12) **United States Design Patent**
Dubow

(10) **Patent No.:** **US D665,303 S**

(45) **Date of Patent:** **** Aug. 14, 2012**

(54) **BIRD NEST CORK CAGE ORNAMENT**

(75) Inventor: **Ardeen Dubow**, Santa Ana, CA (US)

(73) Assignee: **Epic Products, Inc.**, Santa Ana, CA (US)

(**) Term: **14 Years**

(21) Appl. No.: **29/412,495**

(22) Filed: **Feb. 3, 2012**

(51) **LOC (9) Cl.** **11-02**

(52) **U.S. Cl.** **D11/157**

(58) **Field of Classification Search** D11/130,
D11/157, 164, 184; D7/560, 564, 563, 571,
D7/628, 604, 606, 625, 601; D9/681, 600;
D3/270, 271.1; 206/206

See application file for complete search history.

(56) **References Cited**

U.S. PATENT DOCUMENTS

D68,821 S * 11/1925 Marcus et al. D9/602
D168,986 S * 3/1953 Brodeur D9/602
D333,638 S * 3/1993 Ruchser D11/162

D638,532 S * 5/2011 Havive et al. D23/367

* cited by examiner

Primary Examiner — T. Chase Nelson

Assistant Examiner — Michelle E Wilson

(74) *Attorney, Agent, or Firm* — The Nath Law Group;
Jerald L. Meyer; Robert T. Burns

(57) **CLAIM**

The ornamental design for a bird nest cork cage ornament, as shown and described.

DESCRIPTION

FIG. 1 is a perspective view of a bird nest cork cage ornament showing my new design;

FIG. 2 is a front elevation view thereof;

FIG. 3 is a back elevation view thereof;

FIG. 4 is a left side elevation view thereof;

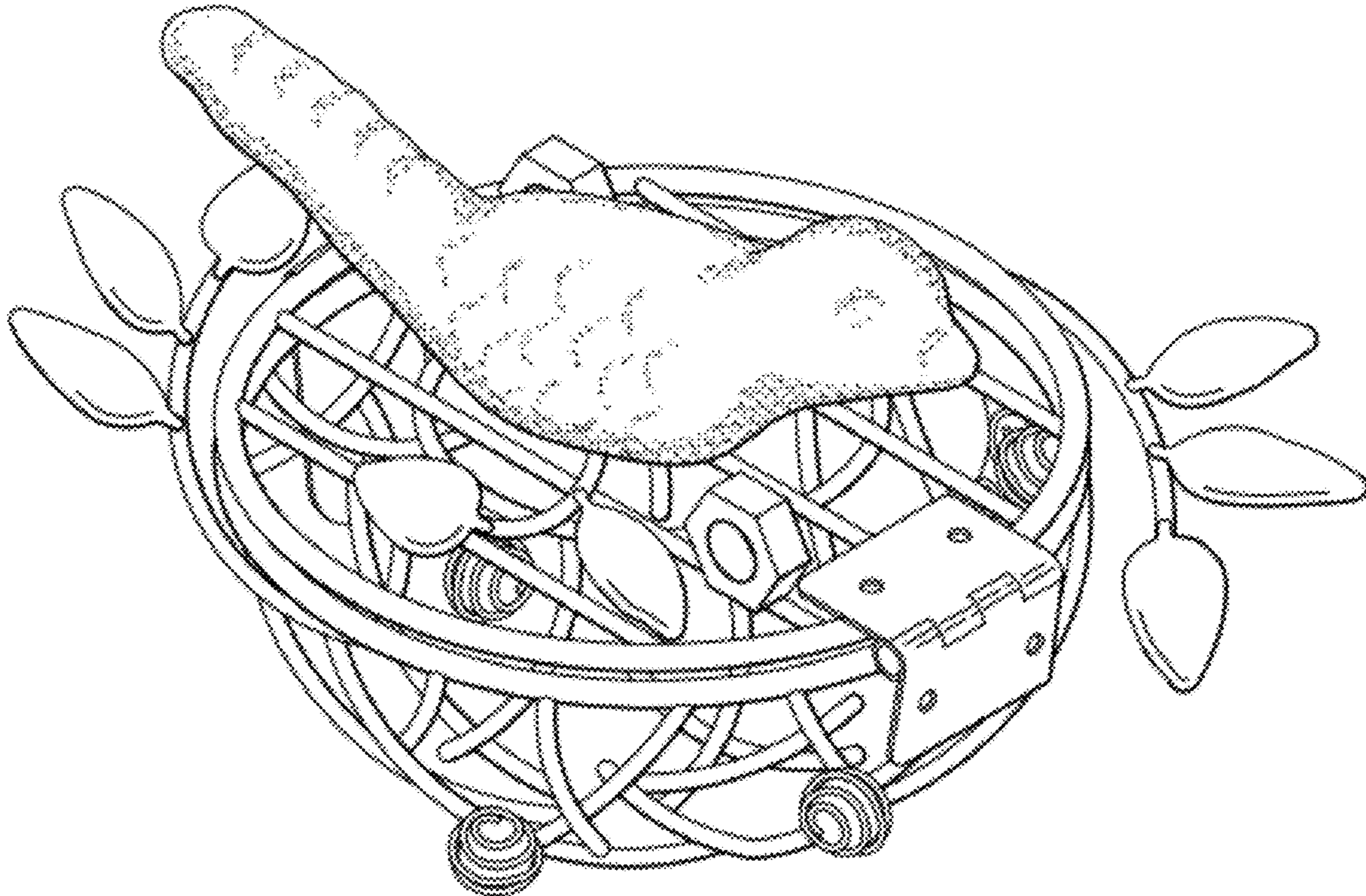
FIG. 5 is a right side elevation view thereof;

FIG. 6 is a top view thereof; and,

FIG. 7 is a bottom view thereof.

The broken line showing of the text on the bird nest cage label forms no part of the claimed design.

1 Claim, 4 Drawing Sheets



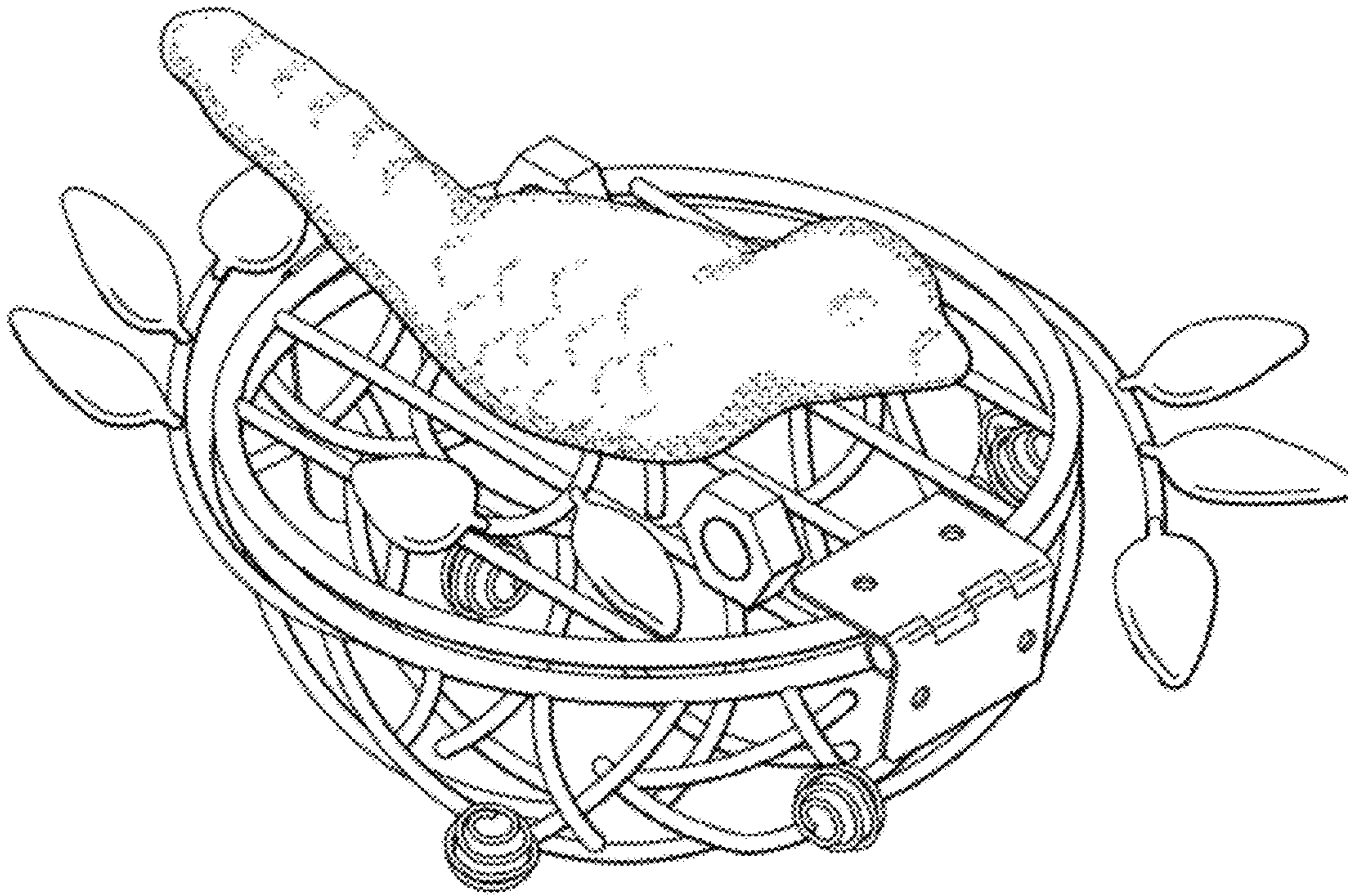


FIG. 1

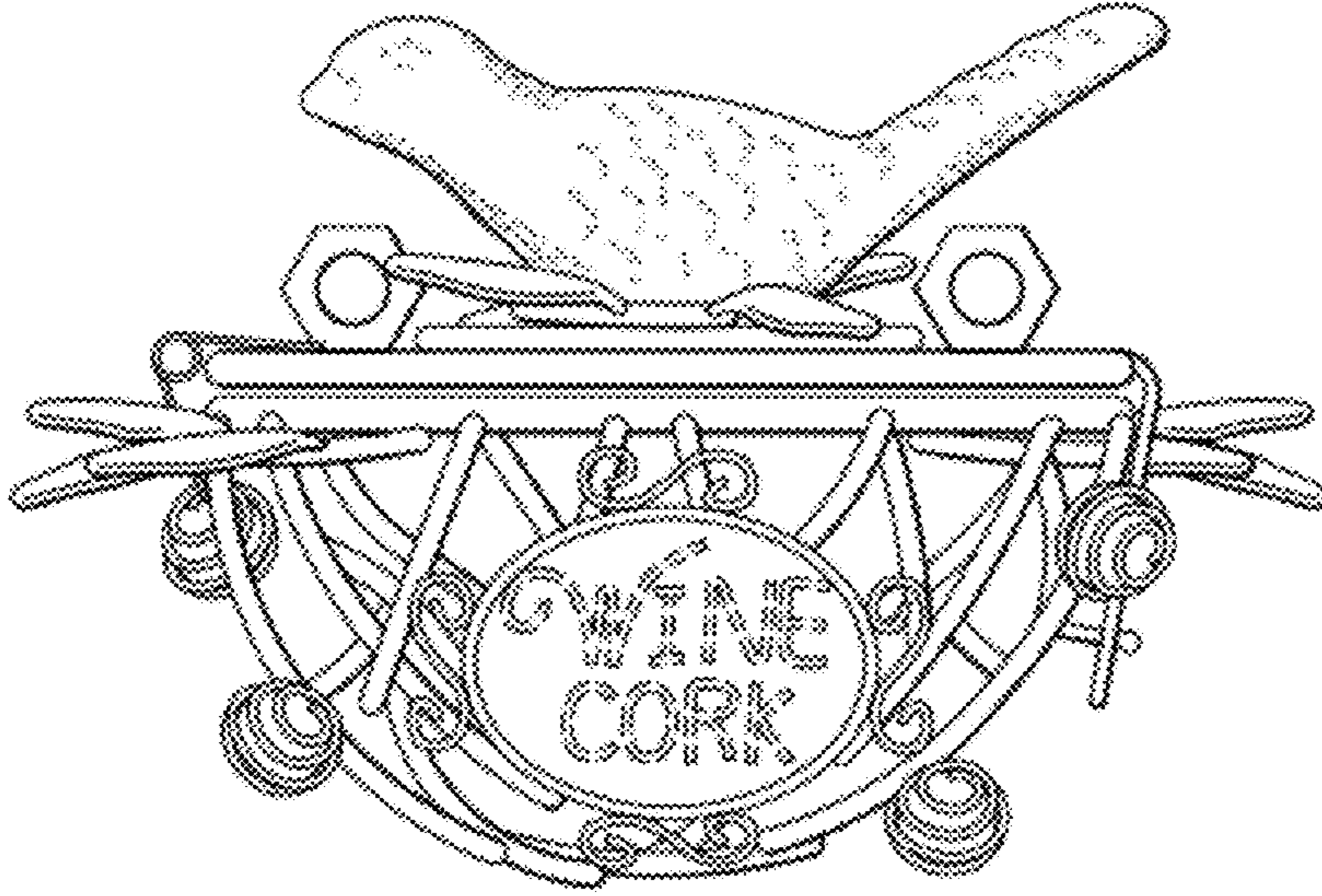


FIG. 2

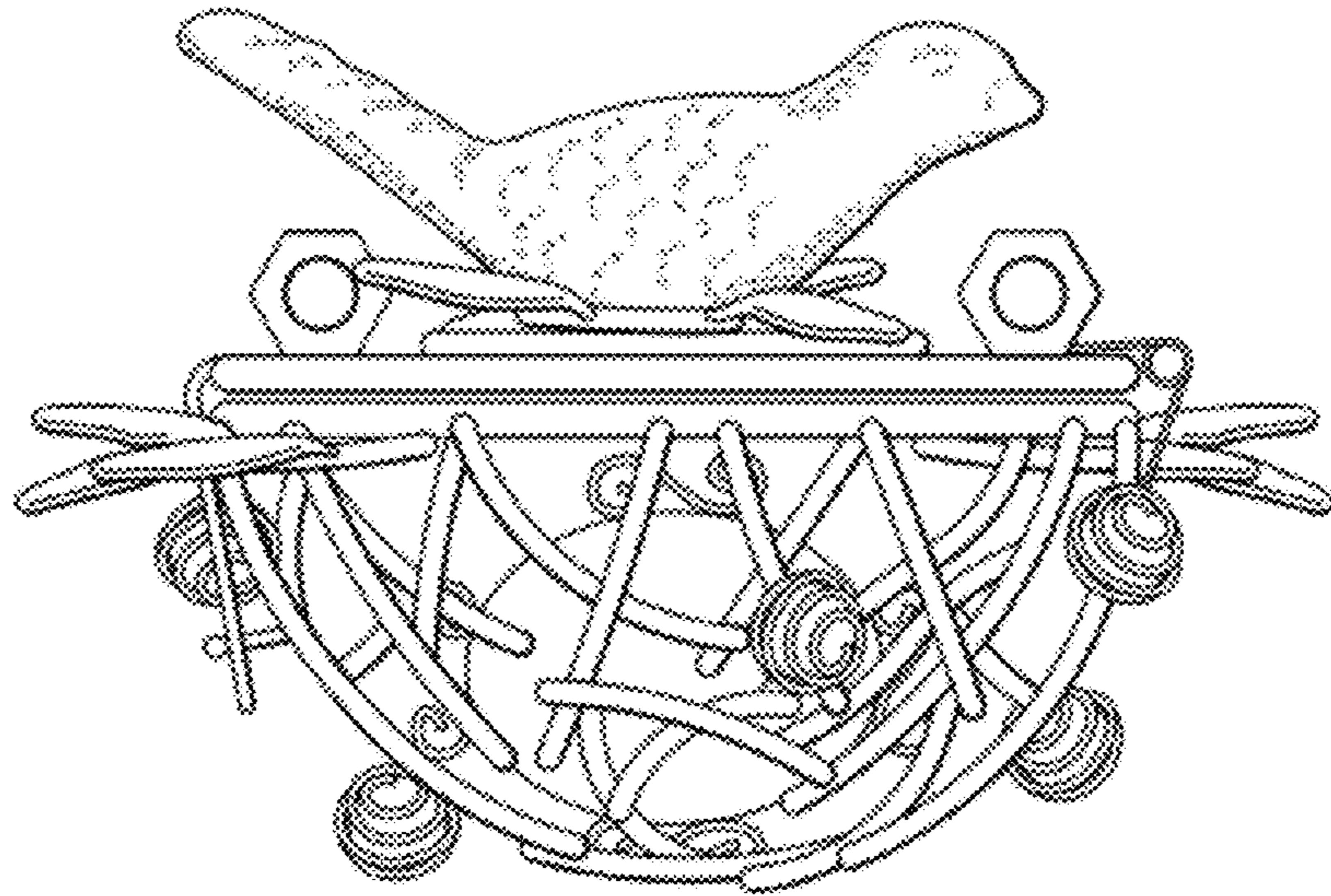


FIG. 3

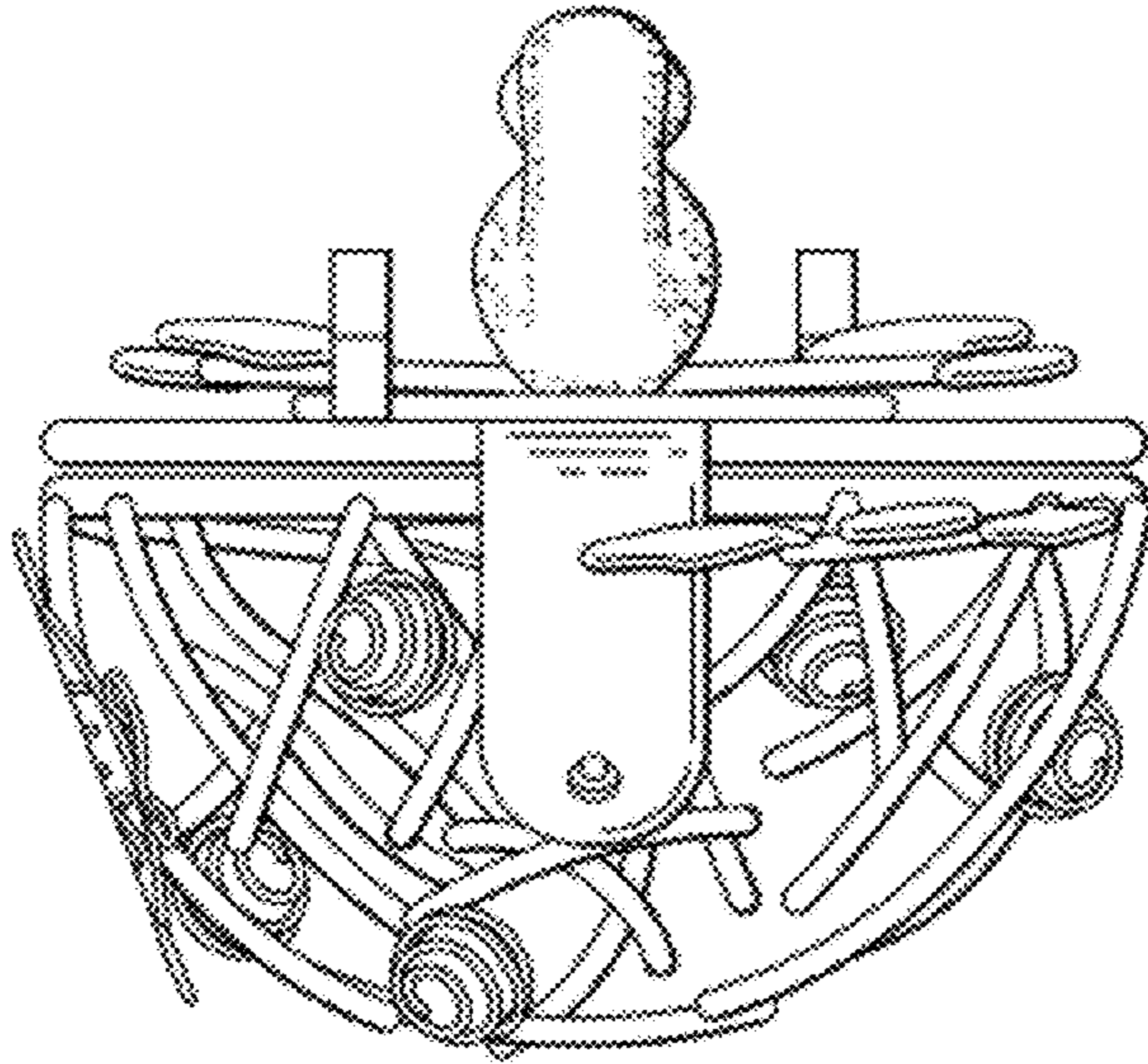


FIG. 4

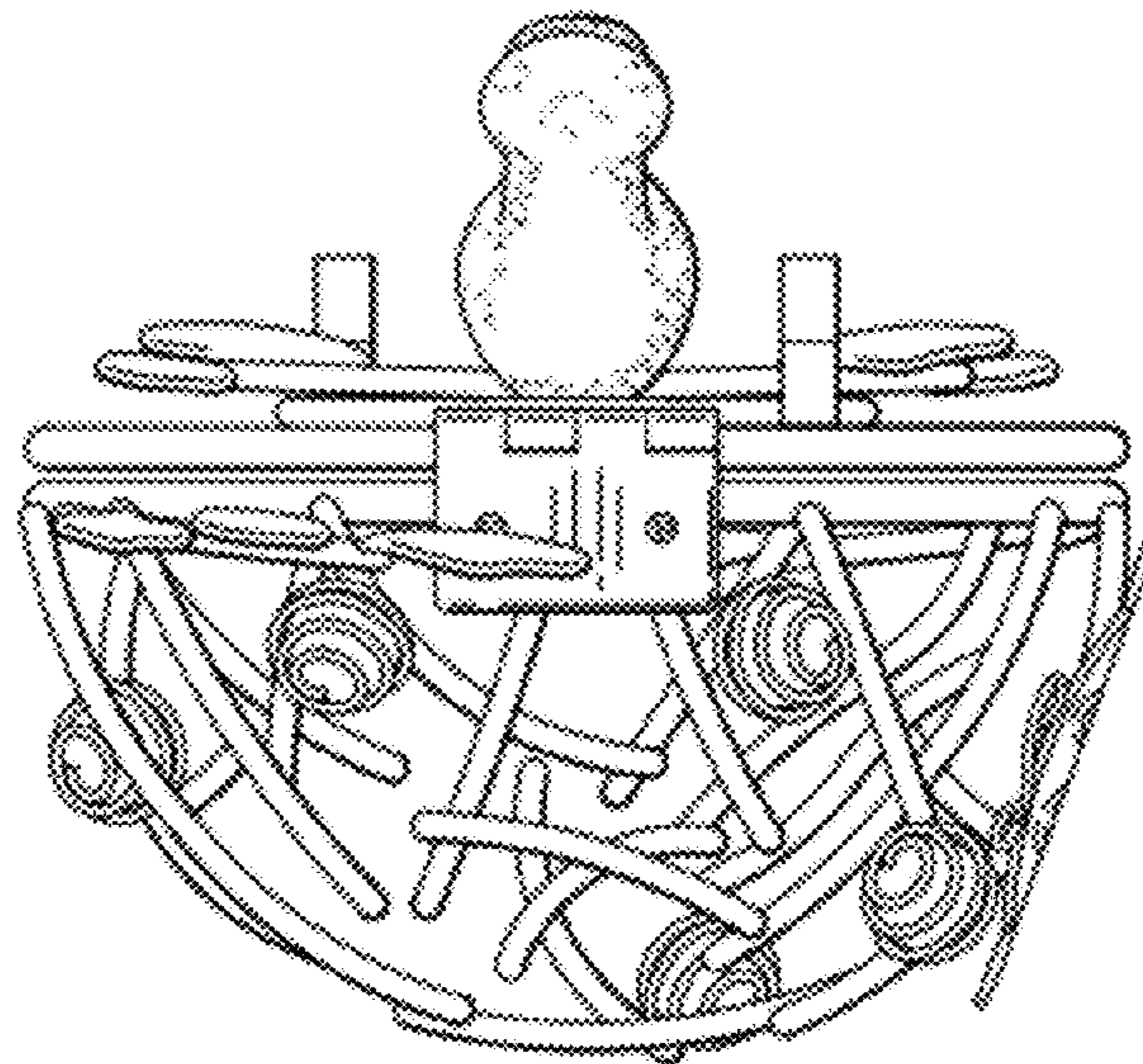


FIG. 5

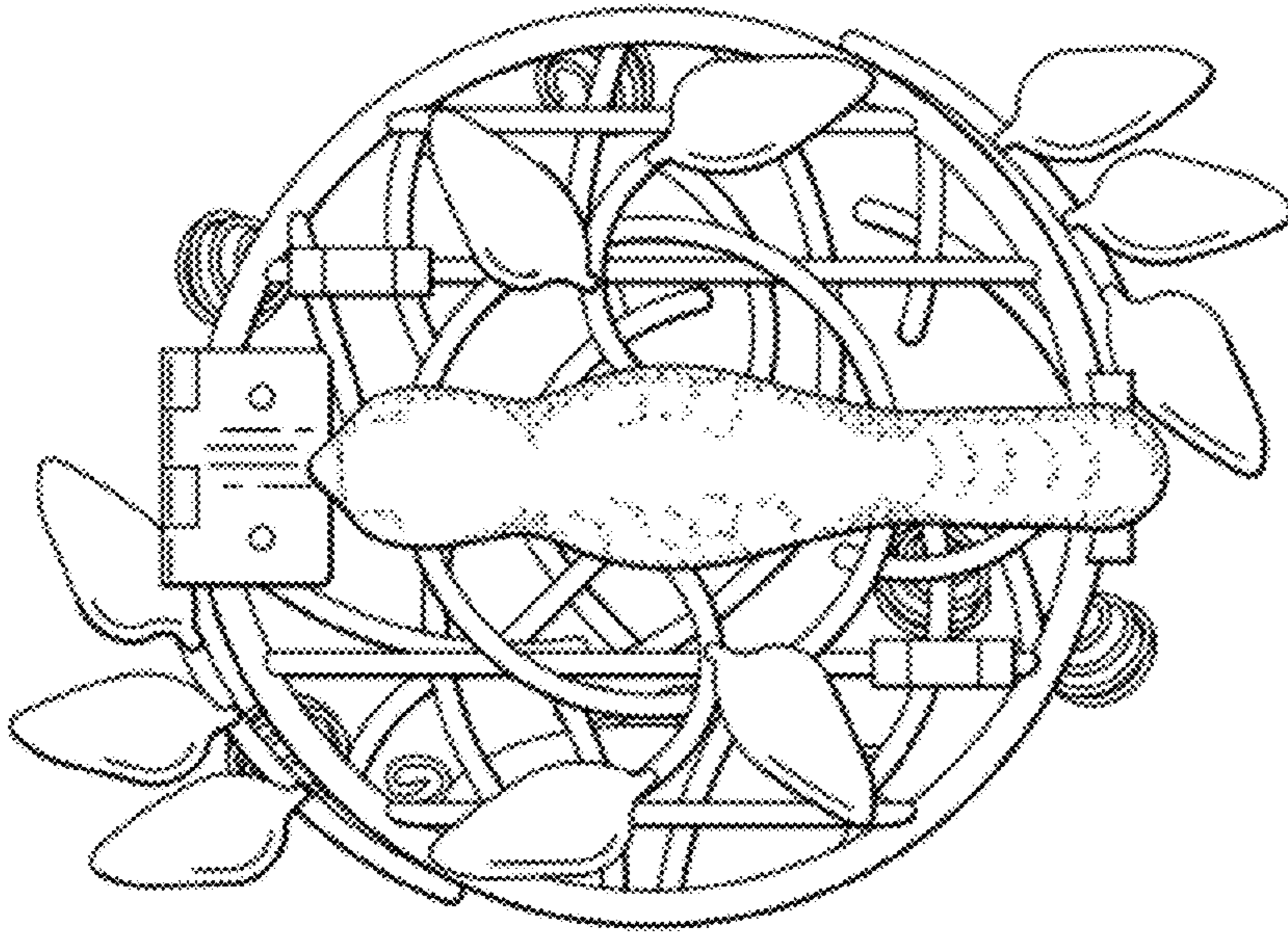


FIG. 6

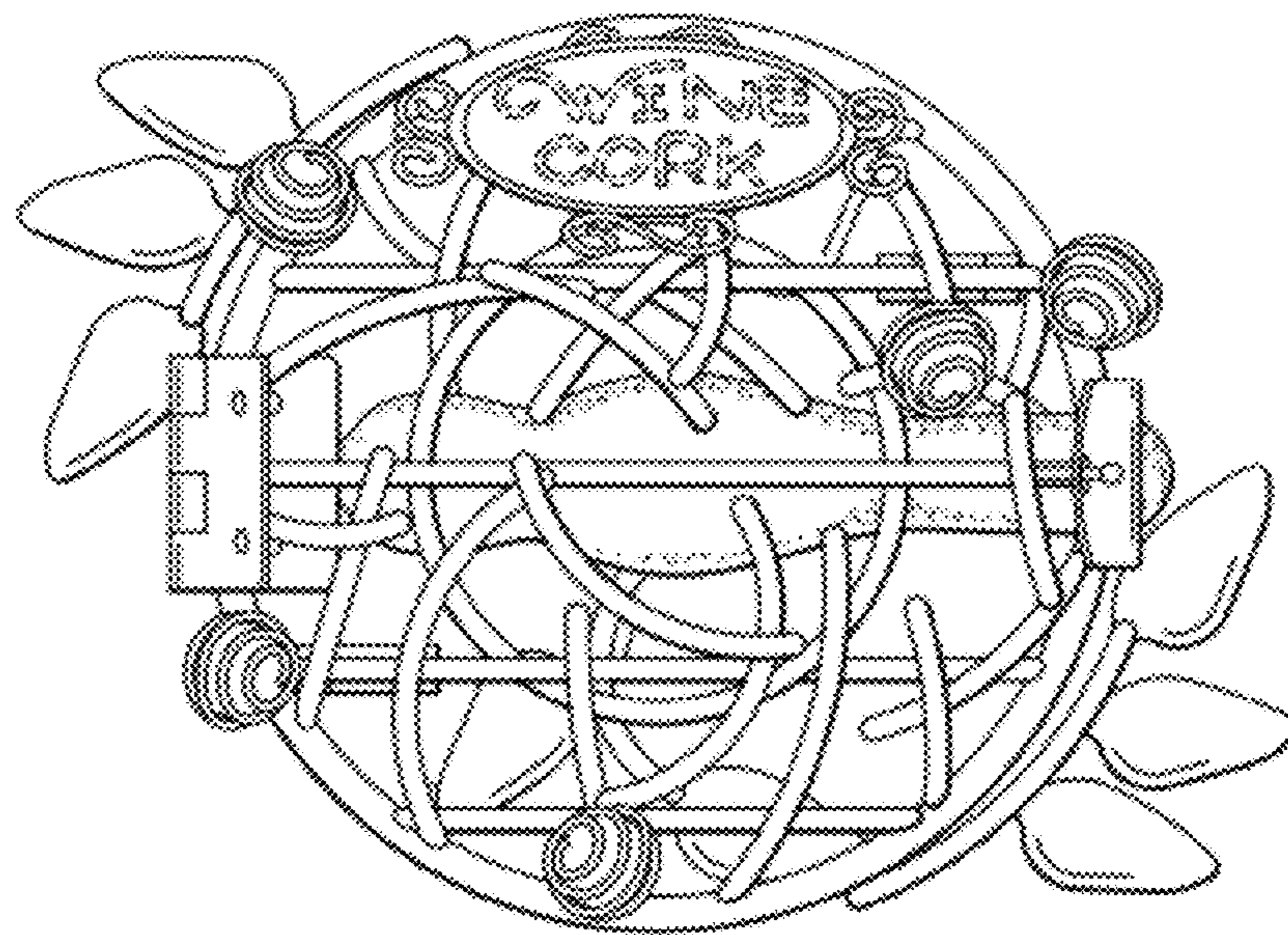


FIG. 7