



US00D665300S

(12) **United States Design Patent**  
**Pedersen et al.**

(10) **Patent No.:** **US D665,300 S**

(45) **Date of Patent:** **\*\* Aug. 14, 2012**

(54) **PLANTER**

(75) Inventors: **Sara L. Pedersen**, Minneapolis, MN (US); **Samuel J. Clavette**, Stillwater, MN (US); **Daiying Huang**, Medina, MN (US); **Stephanie A. Grotta**, Minneapolis, MN (US); **Stacy L. Abel**, Maple Grove, MN (US)

(73) Assignee: **Target Brands, Inc.**, Minneapolis, MN (US)

(\*\*) Term: **14 Years**

(21) Appl. No.: **29/409,099**

(22) Filed: **Dec. 20, 2011**

(51) **LOC (9) Cl.** ..... **11-02**

(52) **U.S. Cl.** ..... **D11/155**

(58) **Field of Classification Search** ..... D6/403-405, D6/556-558; D8/1; D11/143-156, 164; D19/77, 80, 81, 84; D25/100; D26/9-11, D26/16, 19; D34/1, 2, 4-6; D99/5, 19; 47/17, 47/32.4, 32.5, 32.7, 33, 39, 41.01, 41.1, 41.11-41.15, 47/44-47, 63, 65.5, 65.9, 66.1, 66.2, 66.6, 47/66.7, 67-71

See application file for complete search history.

(56) **References Cited**

**U.S. PATENT DOCUMENTS**

D76,606 S *	10/1928	Buchwalter	.....	D11/155
D150,258 S *	7/1948	Rosenberg	.....	D11/155
D267,215 S *	12/1982	Peterson	.....	D11/144
D383,707 S *	9/1997	Waszkiewicz, III	.....	D11/155
D392,914 S *	3/1998	Friend	.....	D11/143
D428,828 S *	8/2000	Gutierrez	.....	D11/143
D458,560 S *	6/2002	D'Hulst	.....	D11/155

D488,401 S *	4/2004	Gutierrez	.....	D11/155
D528,940 S *	9/2006	Espejo	.....	D11/155
D552,319 S *	10/2007	Gusdorf	.....	D34/1
D556,627 S *	12/2007	Arev	.....	D11/155
D650,719 S *	12/2011	Gretz	.....	D11/155
D653,162 S *	1/2012	Moore et al.	.....	D11/155

**OTHER PUBLICATIONS**

Grandinroad, "Box Planter," pp. 1-3, <http://www.grandinroad.com/box-planter/outdoor-decor/garden-decor/planters-vases-urns/311900> (last visited Sep. 6, 2011).

Thos. Baker, "Galvanized Lined Wood Planters, set of 3," 1 page, <http://www.thosbaker.com/galvanized-lined-wood-planters> (last visited Dec. 12, 2011).

Thos. Baker, "Paris Planter (white)," 1 page, [http://www.thosbaker.com/paris-planter-black\\_2?sc=56&category=19267](http://www.thosbaker.com/paris-planter-black_2?sc=56&category=19267) (last visited Dec. 12, 2011).

\* cited by examiner

*Primary Examiner* — Garth Rademaker

(74) *Attorney, Agent, or Firm* — Leanne Taveggia Farrell; Westman, Champlin & Kelly, P.A.

(57) **CLAIM**

The ornamental design for a planter, as shown and described.

**DESCRIPTION**

FIG. 1 is a perspective view of a planter;

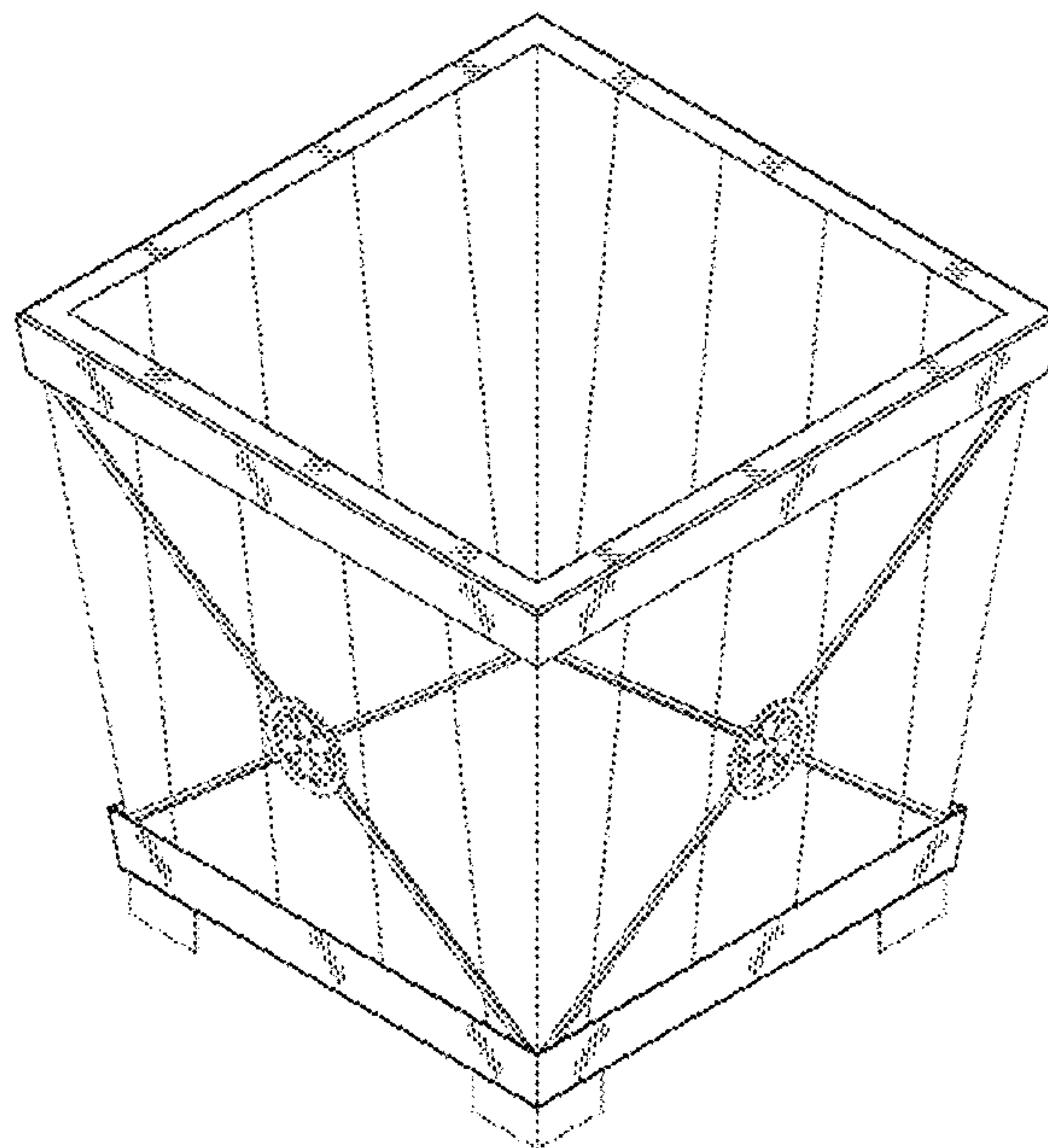
FIG. 2 is a side view thereof, the opposite side, the front and the rear being identical;

FIG. 3 is a top view thereof; and,

FIG. 4 is a bottom view thereof.

The broken lines illustrated in FIGS. 1-4 depict environmental subject matter only and form no part of the claimed design.

**1 Claim, 4 Drawing Sheets**



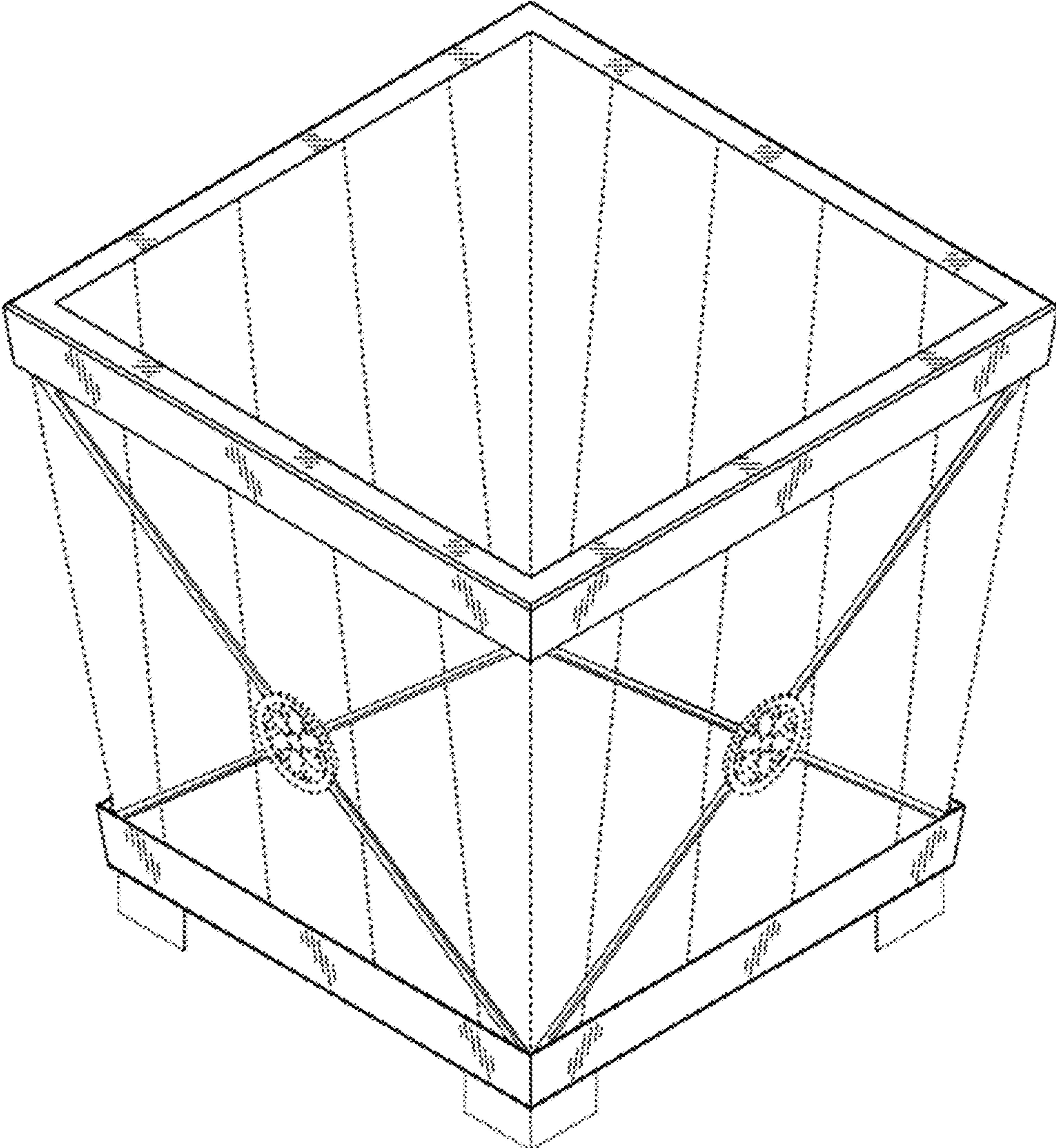


FIG. 1

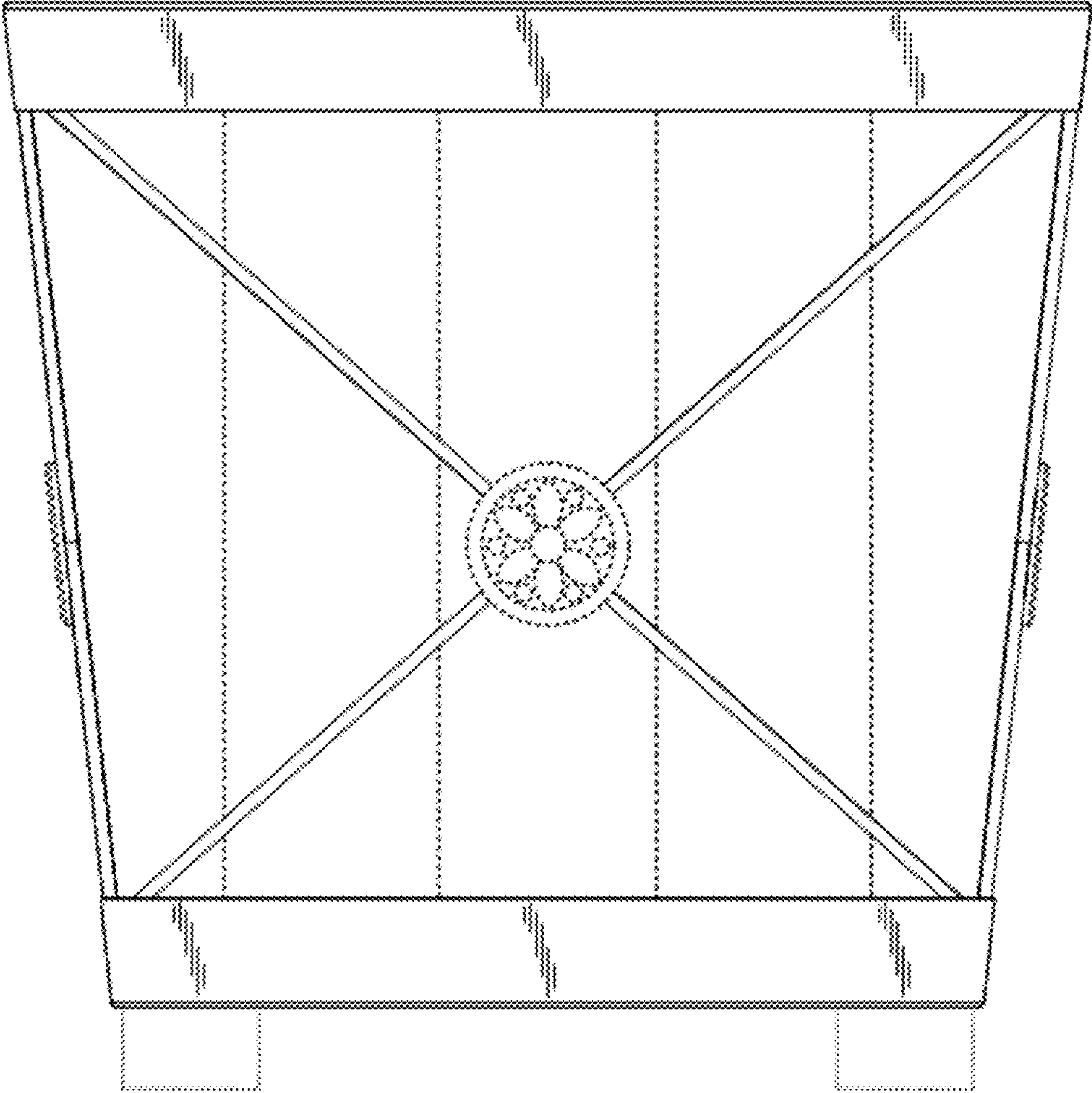
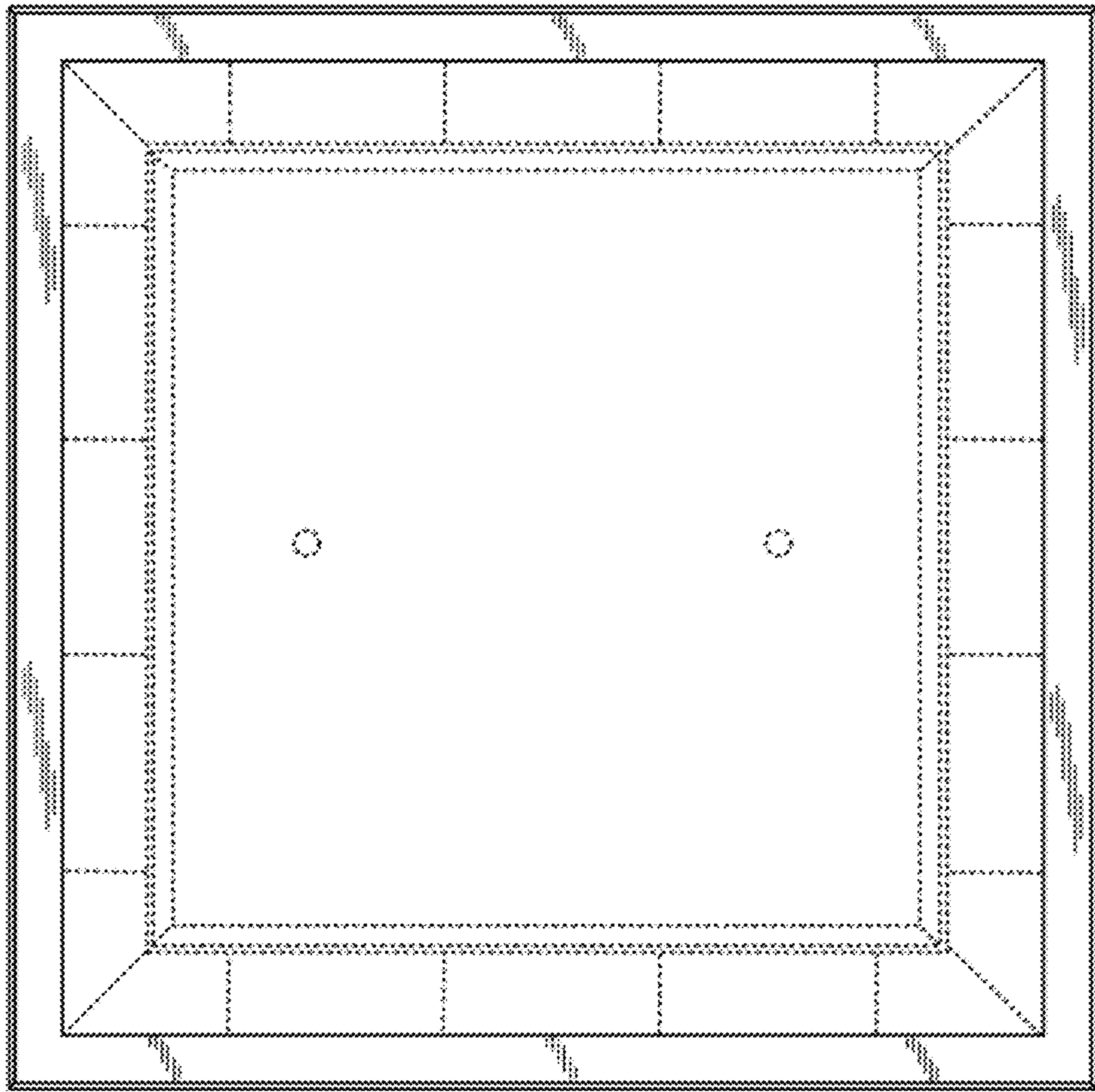


FIG. 2





*FIG. 3*

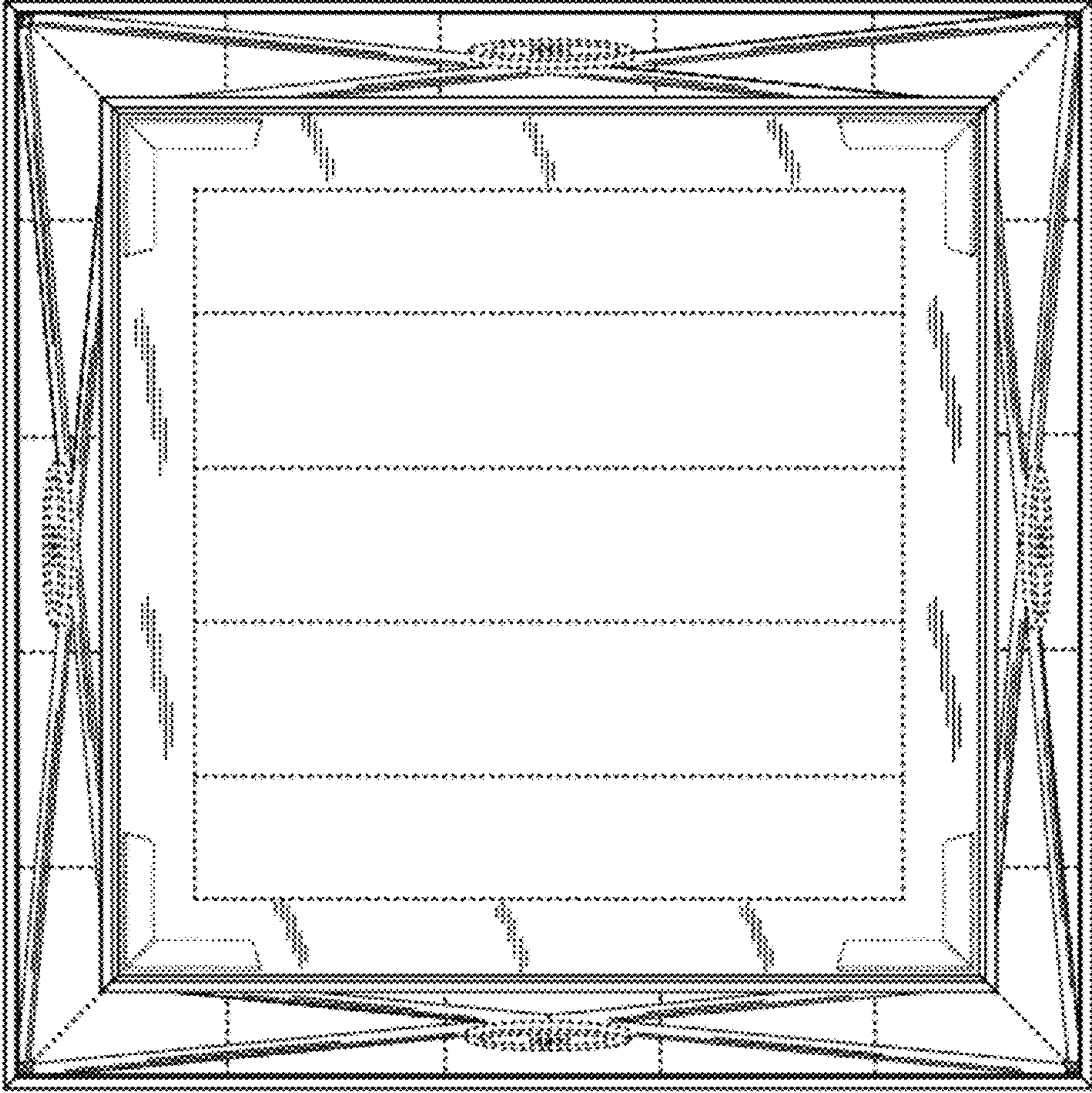


FIG. 4