



US00D665298S

(12) **United States Design Patent**  
**Papadimitriou**

(10) **Patent No.:** **US D665,298 S**

(45) **Date of Patent:** **\*\* \*Aug. 14, 2012**

(54) **EARRING**

(75) Inventor: **Costantino Papadimitriou**, Milan (IT)

(73) Assignee: **De Beers Centenary AG**, Lucerne (CH)

(\*) Notice: This patent is subject to a terminal disclaimer.

(\*\*) Term: **14 Years**

(21) Appl. No.: **29/400,804**

(22) Filed: **Sep. 1, 2011**

(30) **Foreign Application Priority Data**

Mar. 3, 2011 (EM) ..... 001830159

(51) **LOC (9) Cl.** ..... **11-01**

(52) **U.S. Cl.** ..... **D11/43; D11/79**

(58) **Field of Classification Search** ..... D11/79-85,  
D11/89-91, 40-48, 1-8; 63/26-28, 12-14,  
63/3, 3.1, 3.2

See application file for complete search history.

(56) **References Cited**

**U.S. PATENT DOCUMENTS**

D19,102 S *	5/1889	Snyder	.....	D11/79
D31,545 S	9/1899	French		
1,732,250 A	10/1929	Wehse		
D114,212 S *	4/1939	Graeter	.....	D11/48
D138,956 S *	10/1944	Karples	.....	D11/75
D147,199 S	7/1947	Philippe		
D148,172 S *	12/1947	Katz	.....	D11/75
D153,021 S	3/1949	Philippe		
D153,023 S	3/1949	Philippe		
D161,526 S	1/1951	Philippe		
D170,872 S	11/1953	Katz		
D171,349 S	1/1954	Katz		
D173,356 S	11/1954	Katz		
D208,263 S	8/1967	Mariani		

(Continued)

*Primary Examiner* — Cathron Brooks

*Assistant Examiner* — Melanie Pellegrini

(74) *Attorney, Agent, or Firm* — SNR Denton US LLP;  
Brian R. McGinley

(57) **CLAIM**

The ornamental design for an earring, as shown and described.

**DESCRIPTION**

FIG. 1 is a top view of a first embodiment of the earring shown at an enlarged scale;

FIG. 2 is a bottom view of the earring illustrated in FIG. 1 shown at an enlarged scale;

FIG. 3 is a right elevational view of the earring illustrated in FIG. 1;

FIG. 4 is a left elevational view of the earring illustrated in FIG. 1;

FIG. 5 is a front view of the earring illustrated in FIG. 1;

FIG. 6 is a rear view of the earring illustrated in FIG. 1;

FIG. 7 is a perspective view of the earring illustrated in FIG. 1

FIG. 8 is a top view of a second embodiment of the earring shown at an enlarged scale;

FIG. 9 is a bottom view of the earring illustrated in FIG. 8 shown at an enlarged scale;

FIG. 10 is a right elevational view of the earring illustrated in FIG. 8;

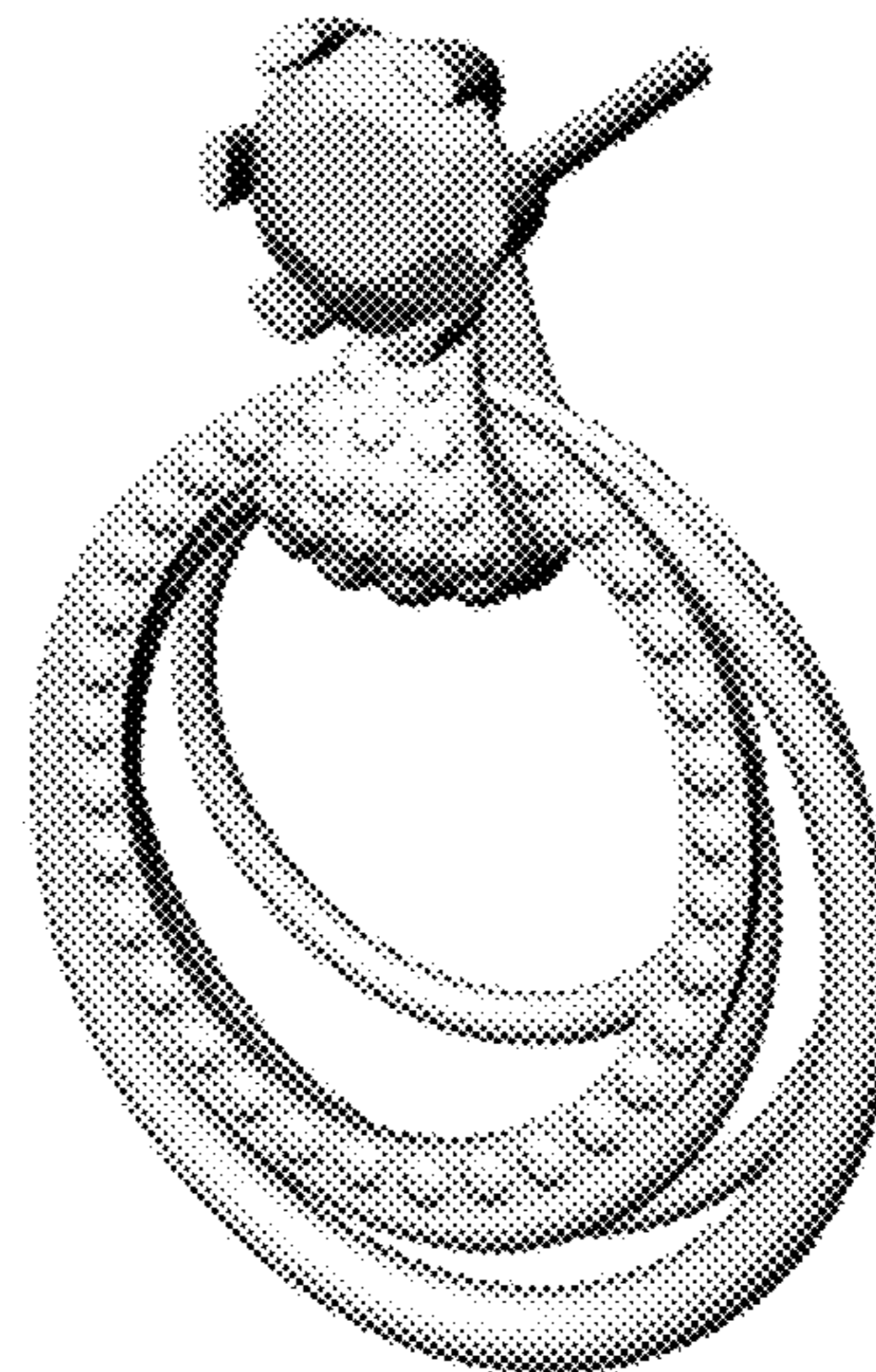
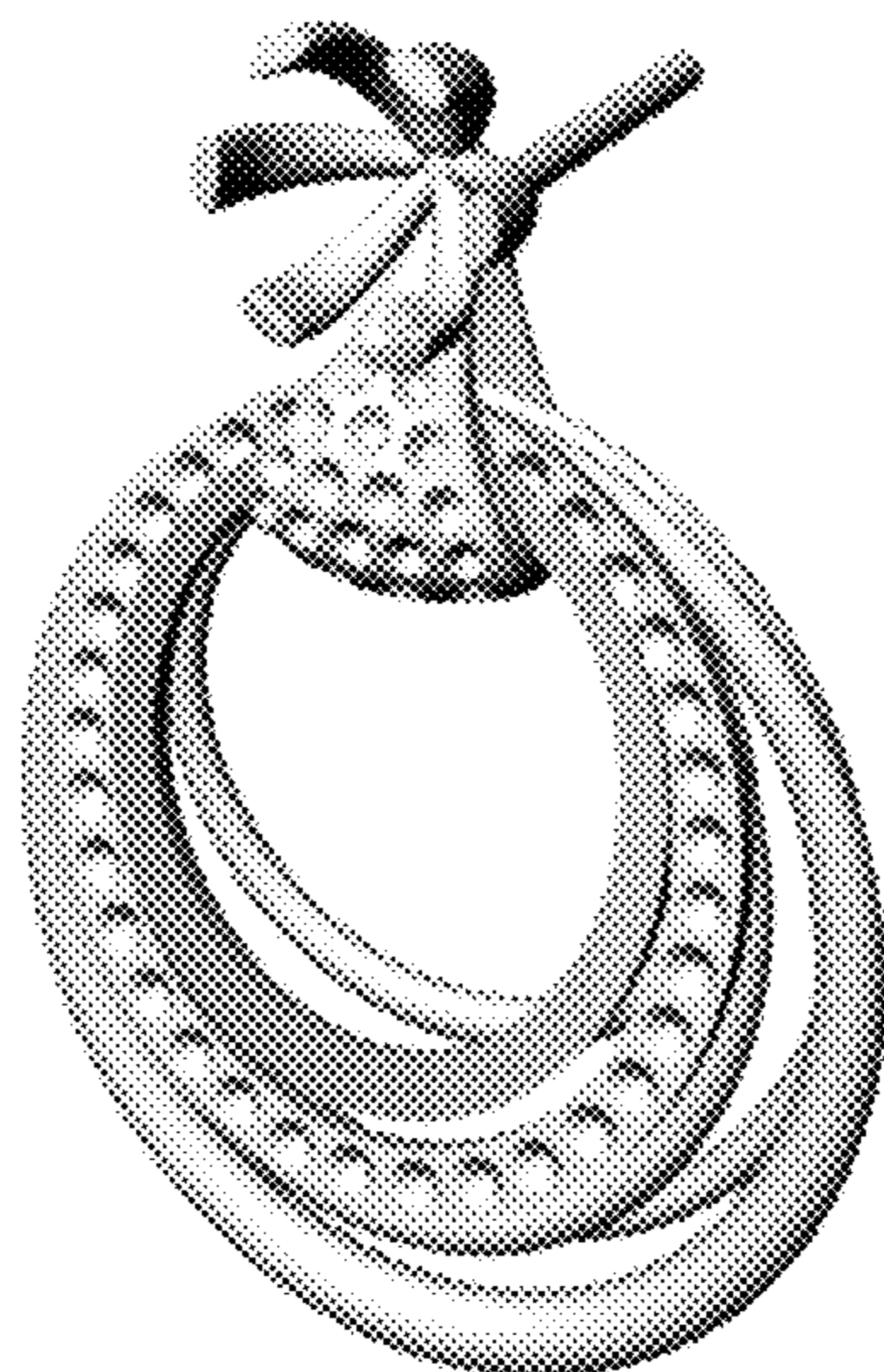
FIG. 11 is a left elevational view of the earring illustrated in FIG. 8;

FIG. 12 is a front view of the earring illustrated in FIG. 8;

FIG. 13 is a rear view of the earring illustrated in FIG. 8; and,

FIG. 14 is a perspective view of the earring illustrated in FIG. 8.

**1 Claim, 7 Drawing Sheets**



# US D665,298 S

Page 2

## U.S. PATENT DOCUMENTS

D248,380 S *	7/1978	Burchett .....	D11/43	D520,899 S	5/2006	Lawlor et al.	
D268,100 S	3/1983	Pederson		7,121,117 B2 *	10/2006	Gruosi-Scheufele .....	63/1.14
D279,879 S	7/1985	Moon		D542,696 S	5/2007	Cilluffo	
D279,880 S	7/1985	Moon		D550,582 S	9/2007	Gruosi-Scheufele	
D301,316 S	5/1989	Yoshida		D555,533 S *	11/2007	Gruosi-Scheufele .....	D11/43
D301,317 S	5/1989	Yoshida		D567,134 S	4/2008	Bulgari	
D302,400 S	7/1989	Bulgari		D579,373 S	10/2008	Rosenthal	
D308,348 S *	6/1990	Leopoldi .....	D11/43	D580,812 S	11/2008	Grassi et al.	
D308,652 S	6/1990	Bulgari		D597,435 S	8/2009	Gruosi	
D326,429 S	5/1992	Azrielant		D608,237 S	1/2010	Gruosi	
D455,097 S *	4/2002	Salvarani .....	D11/79	D619,490 S	7/2010	Papadimitriou	
6,688,507 B2 *	2/2004	McCormack .....	24/3.3	D625,640 S *	10/2010	Sivriere .....	D11/1
D497,322 S	10/2004	Gruosi-Scheufele		D636,696 S *	4/2011	Lebail .....	D11/43
D517,938 S	3/2006	Lawlor et al.		D637,103 S *	5/2011	Lebail .....	D11/43

\* cited by examiner

FIG. 1

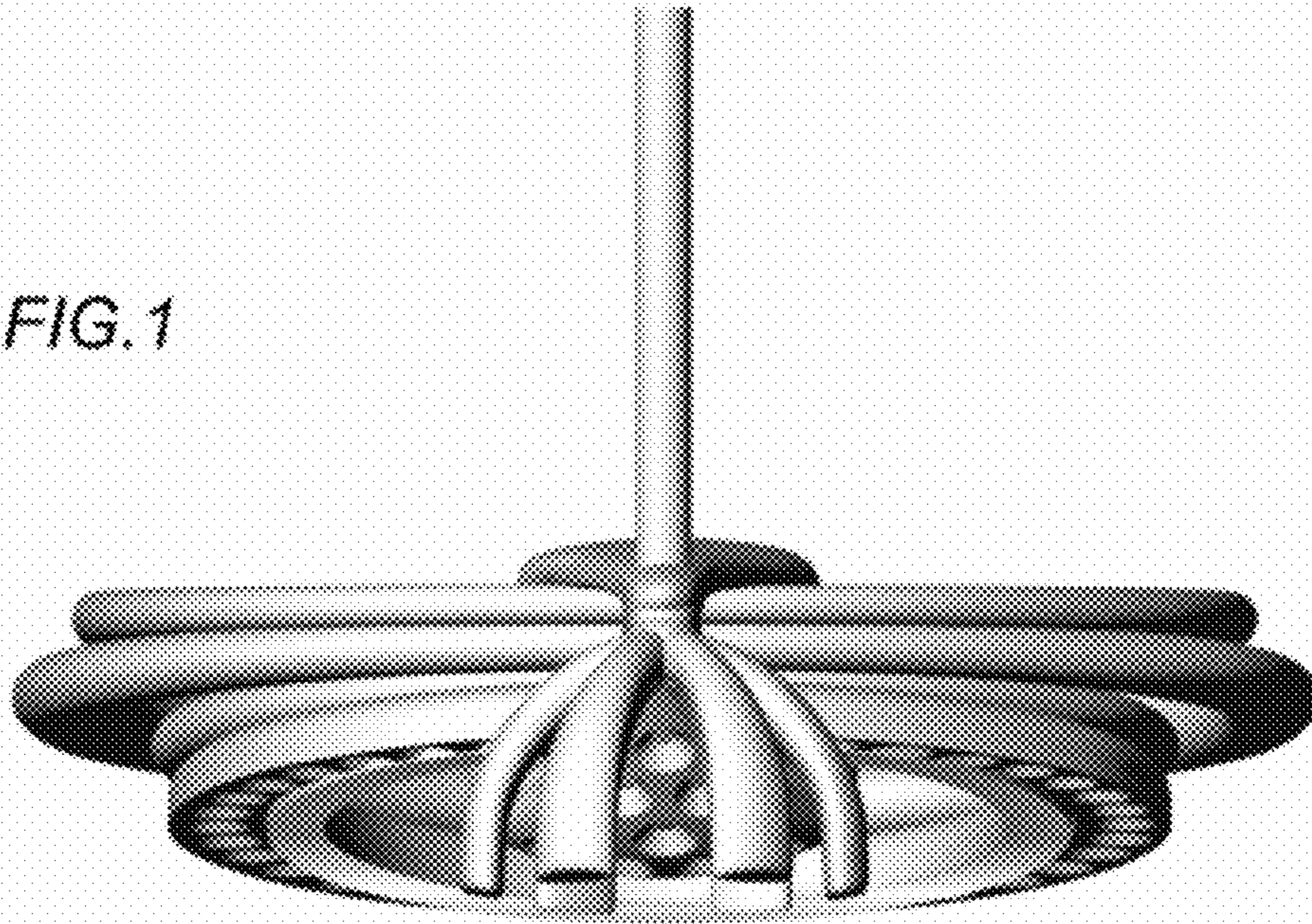


FIG. 2

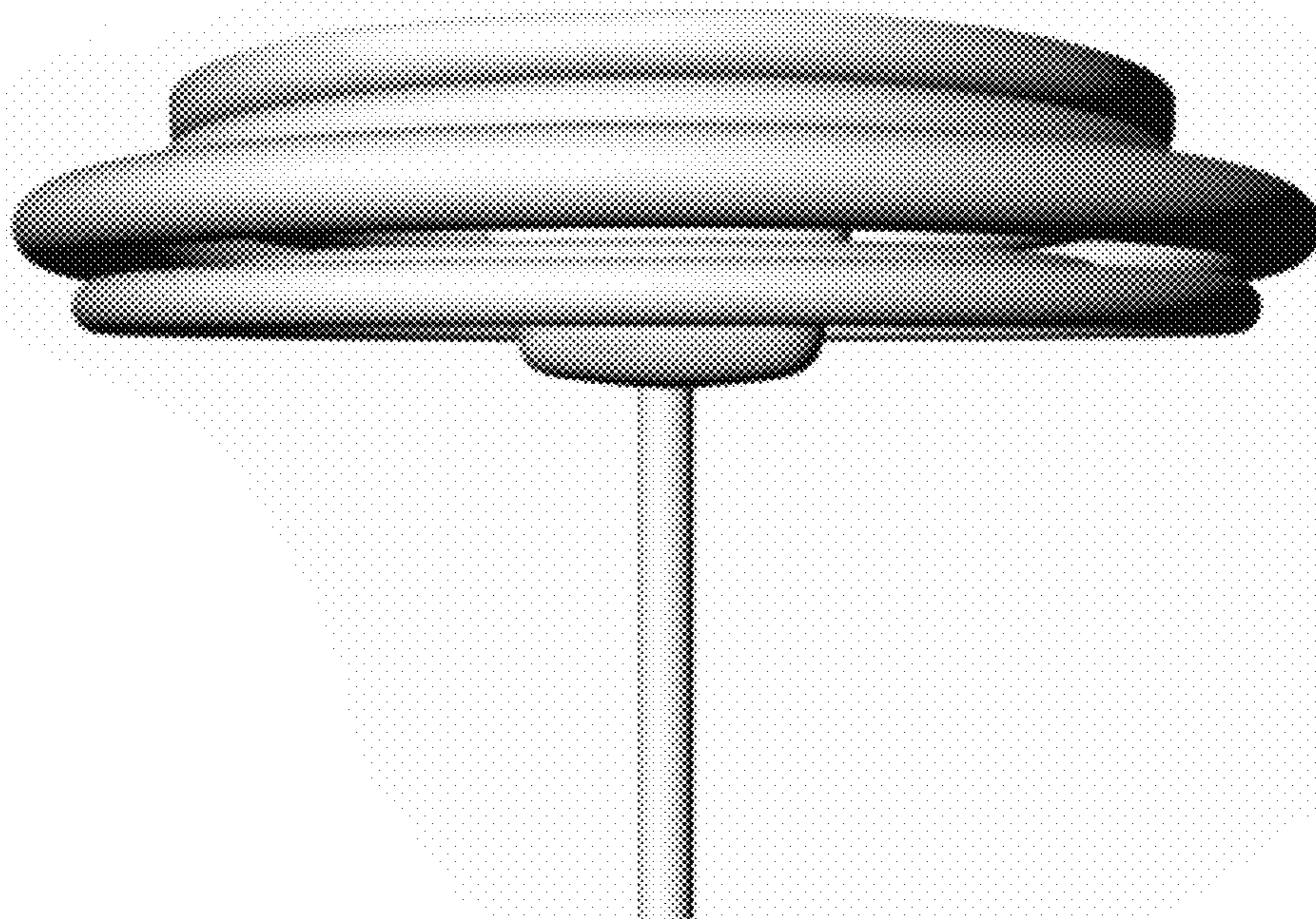


FIG.3

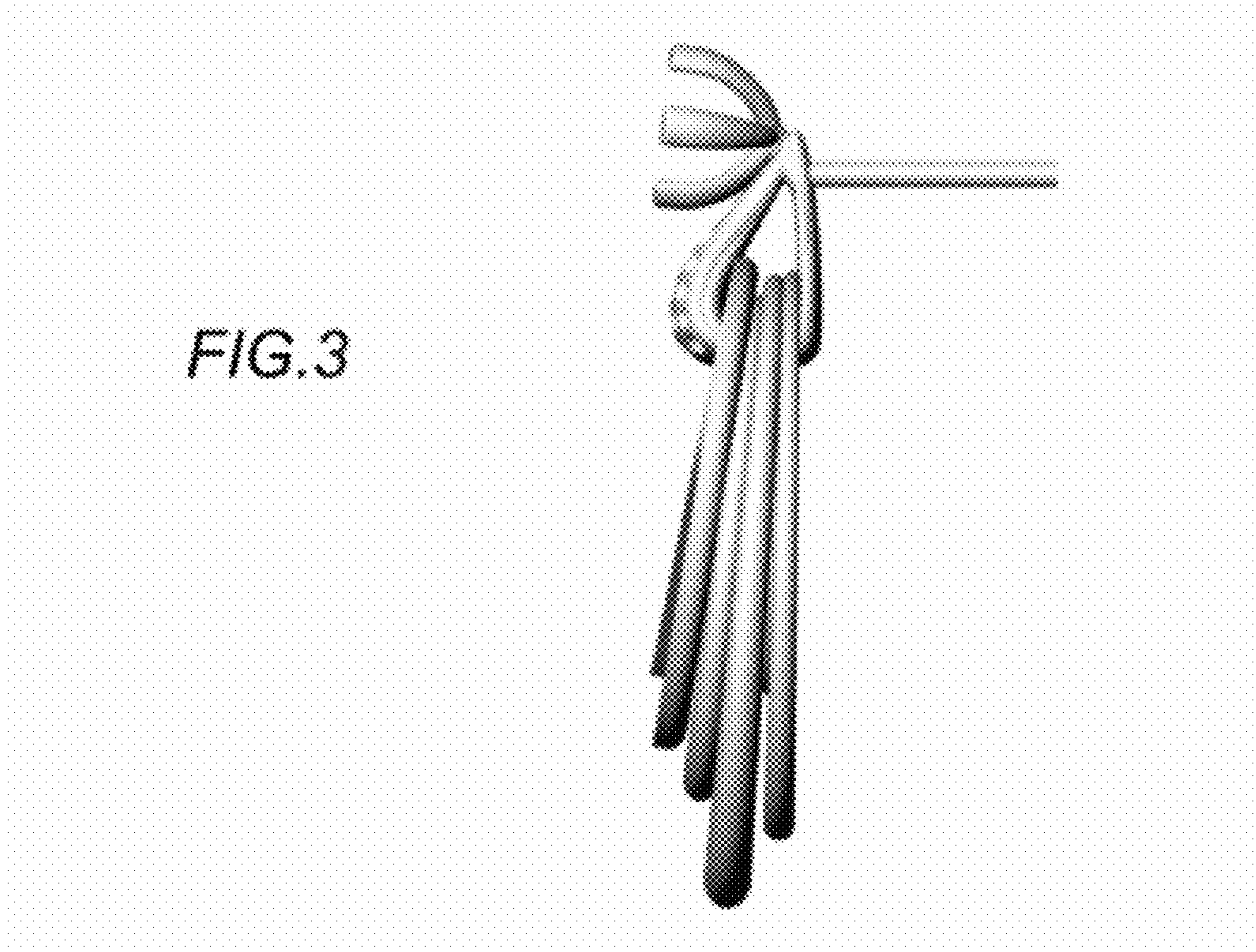


FIG.4

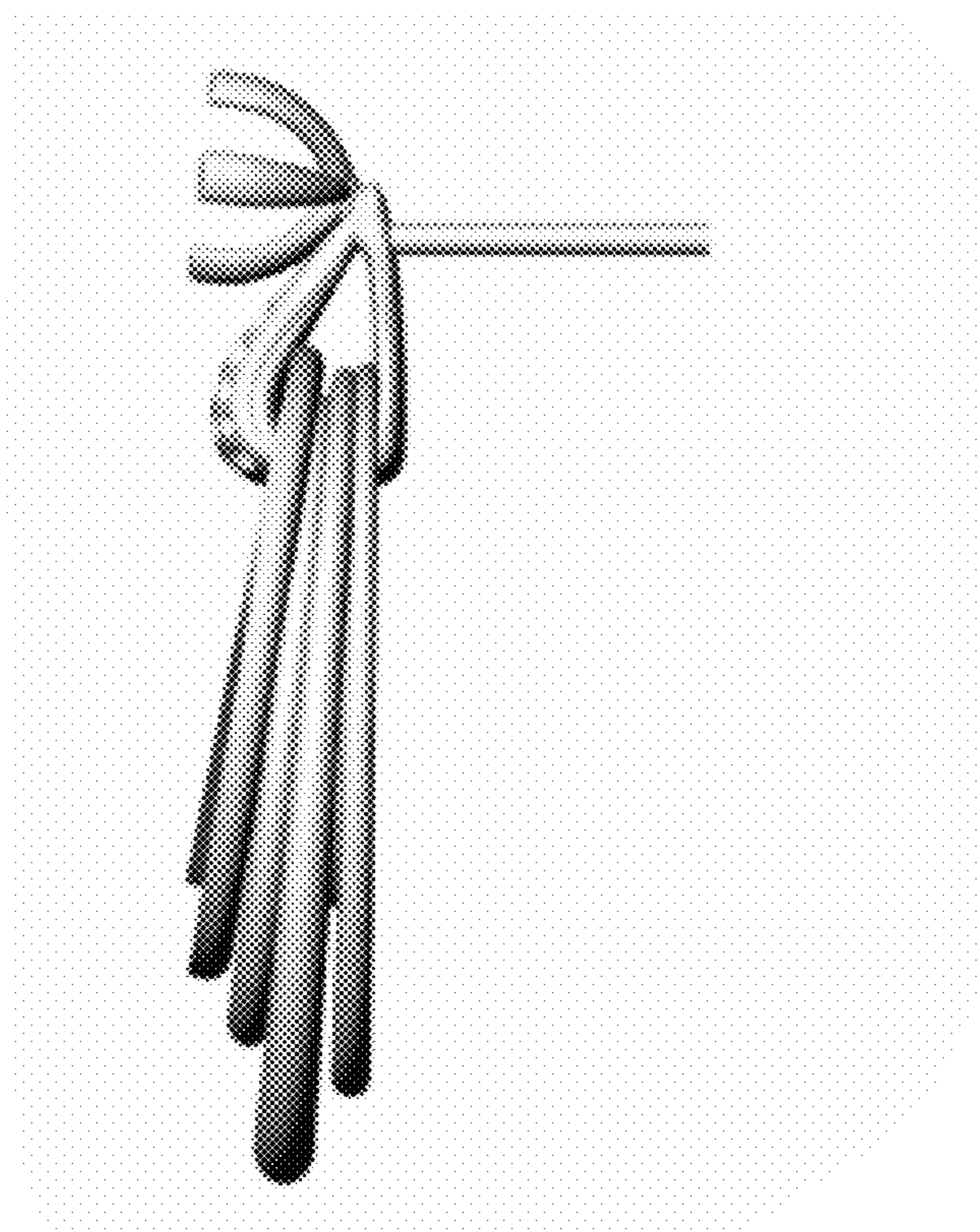


FIG.5

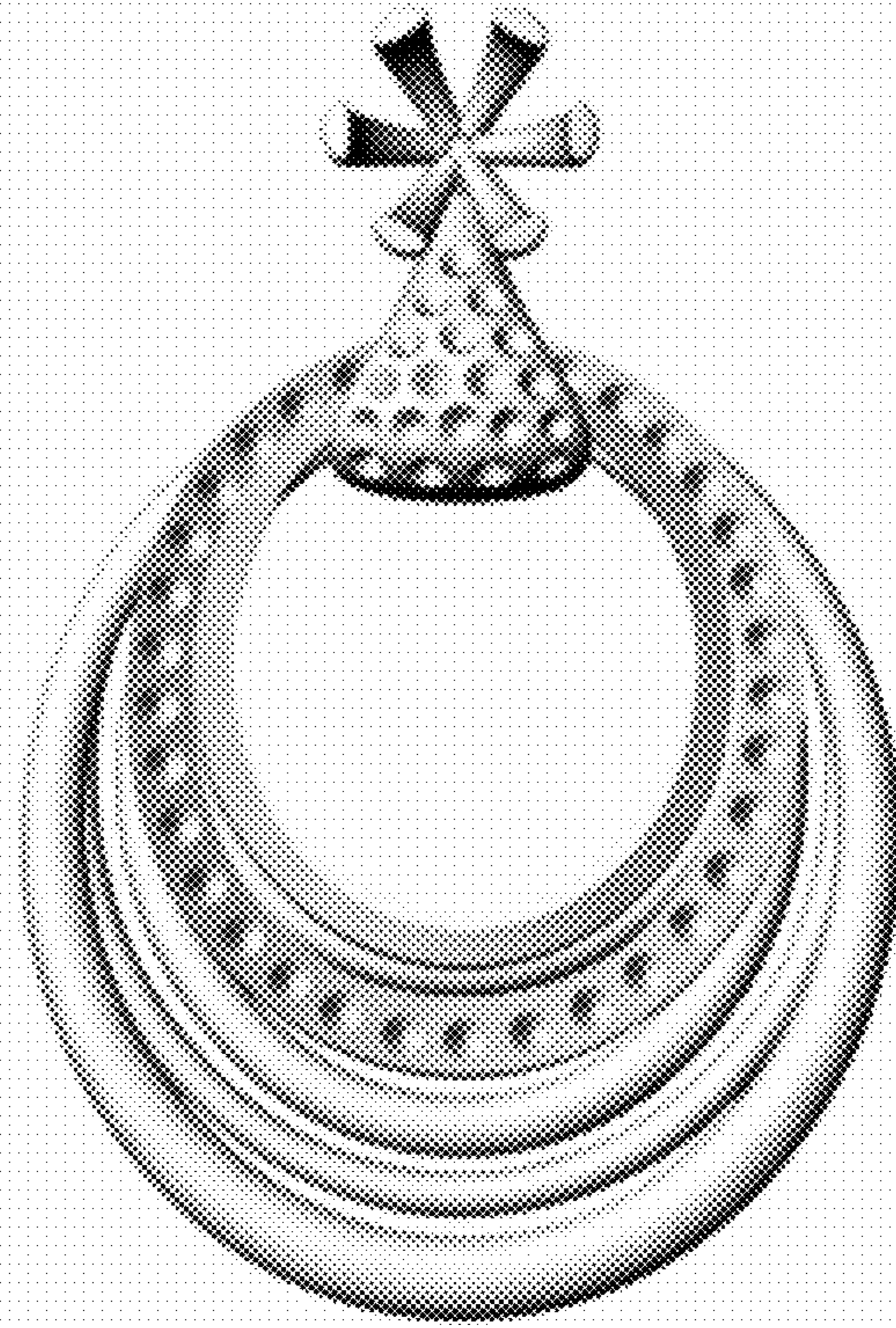


FIG.6

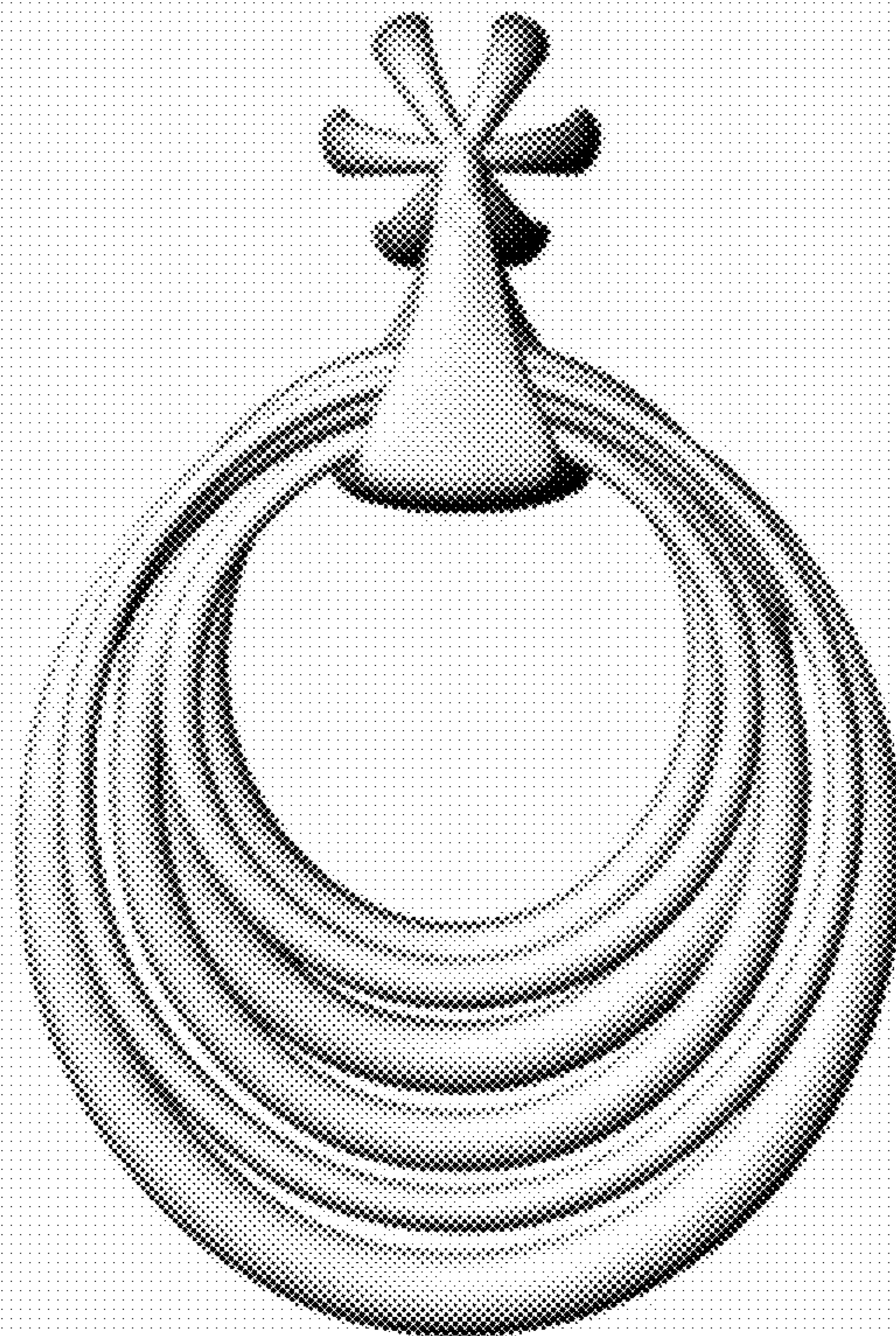


FIG.7

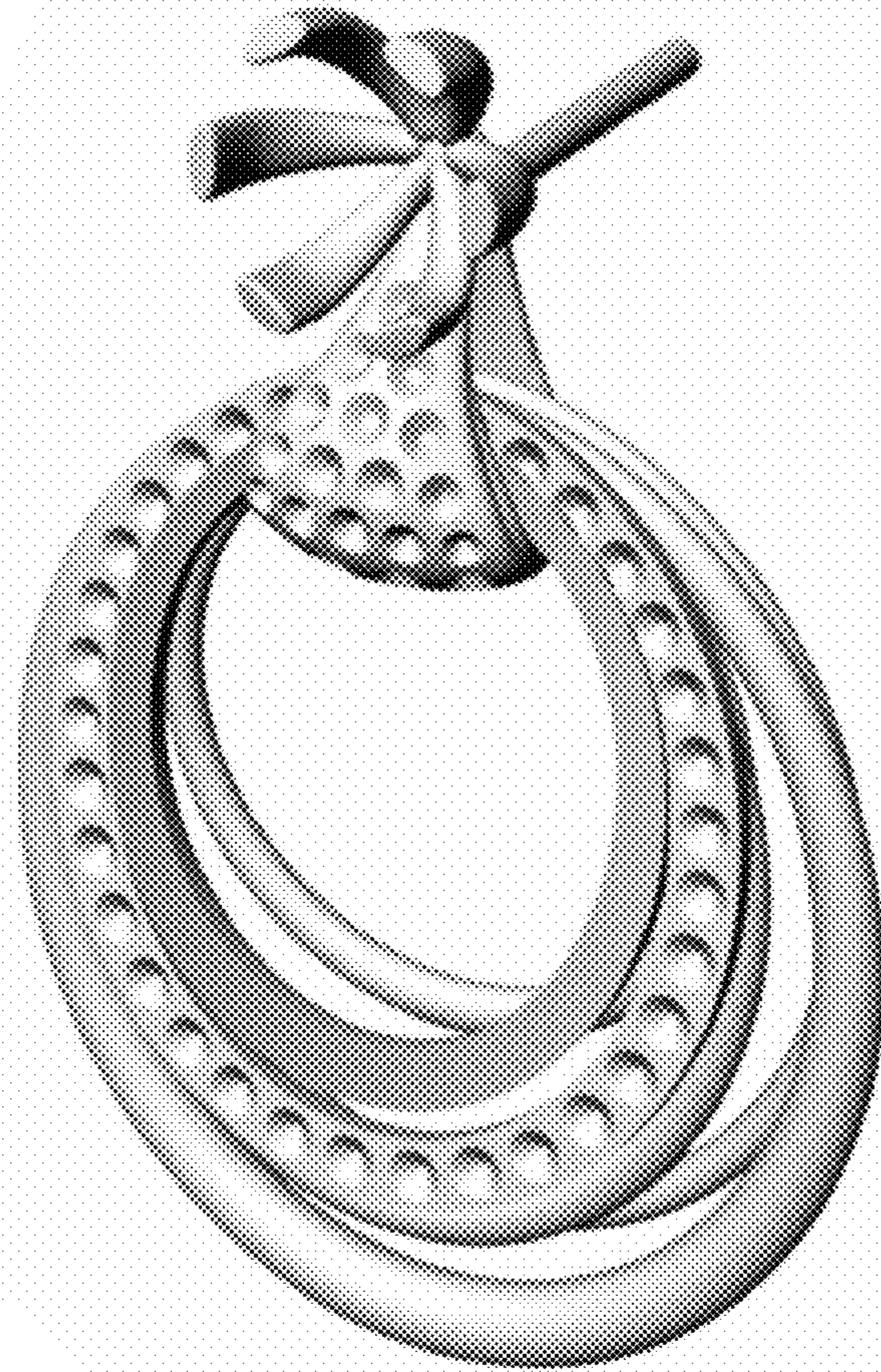


FIG.8

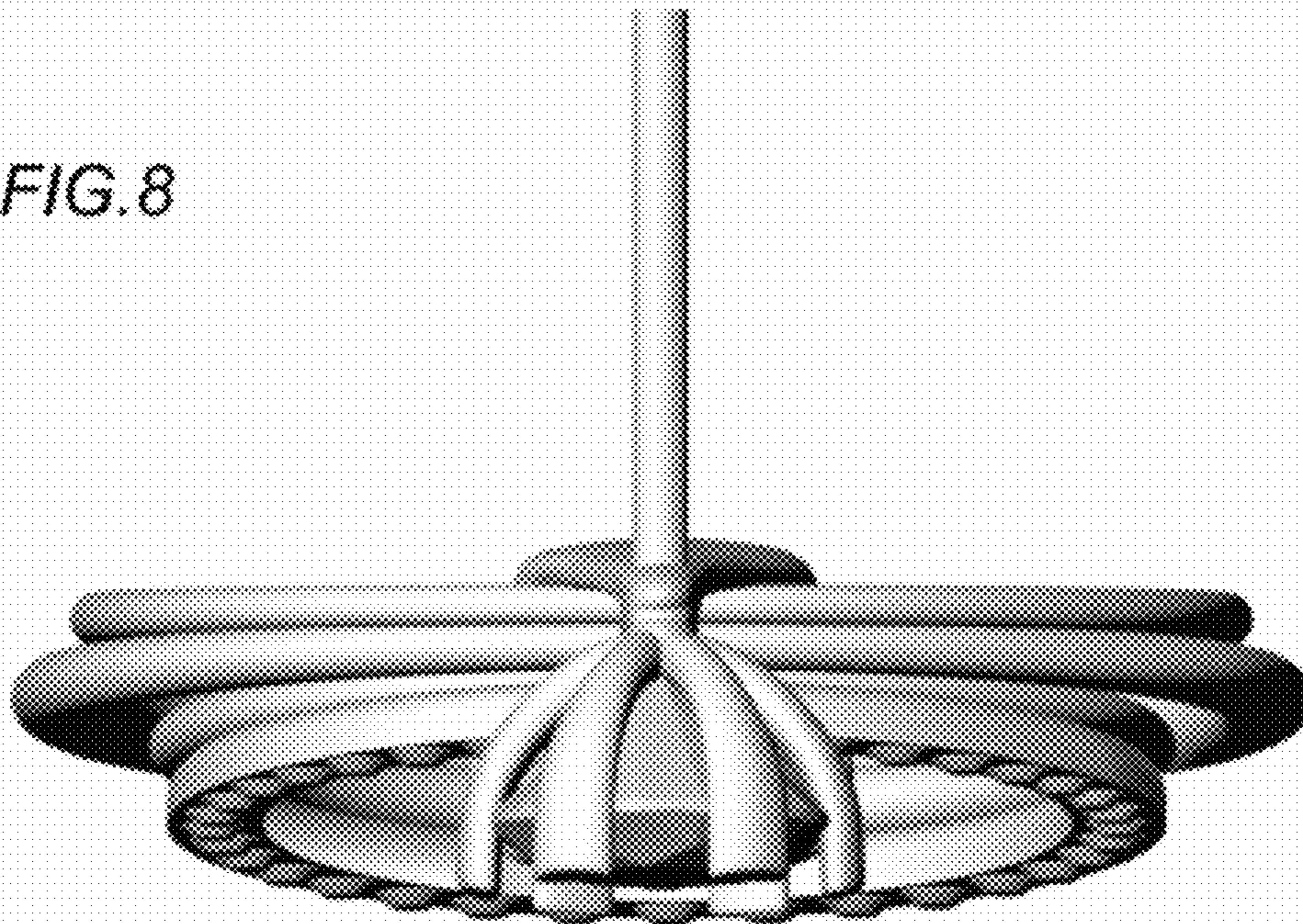


FIG. 9

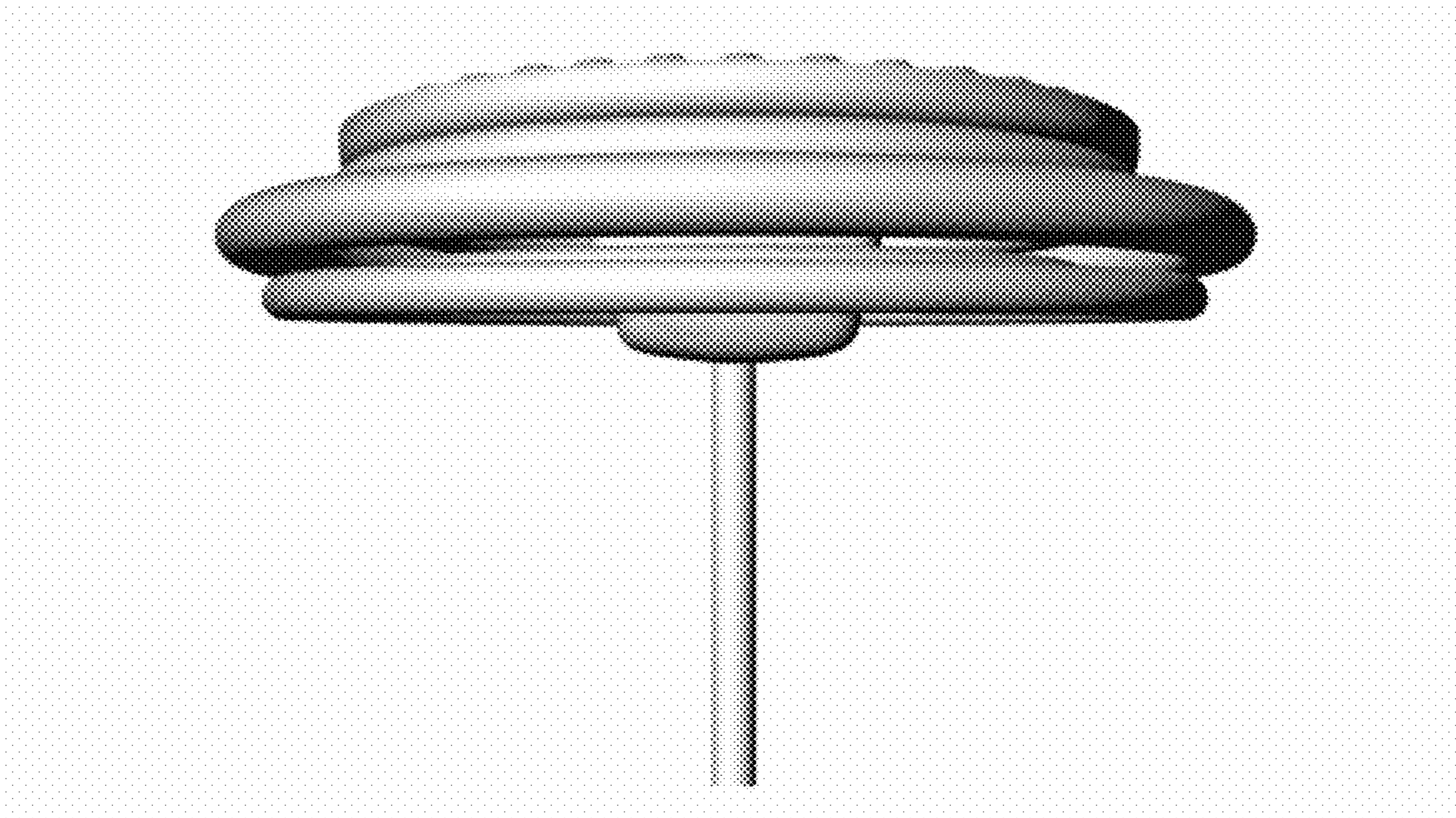


FIG. 10

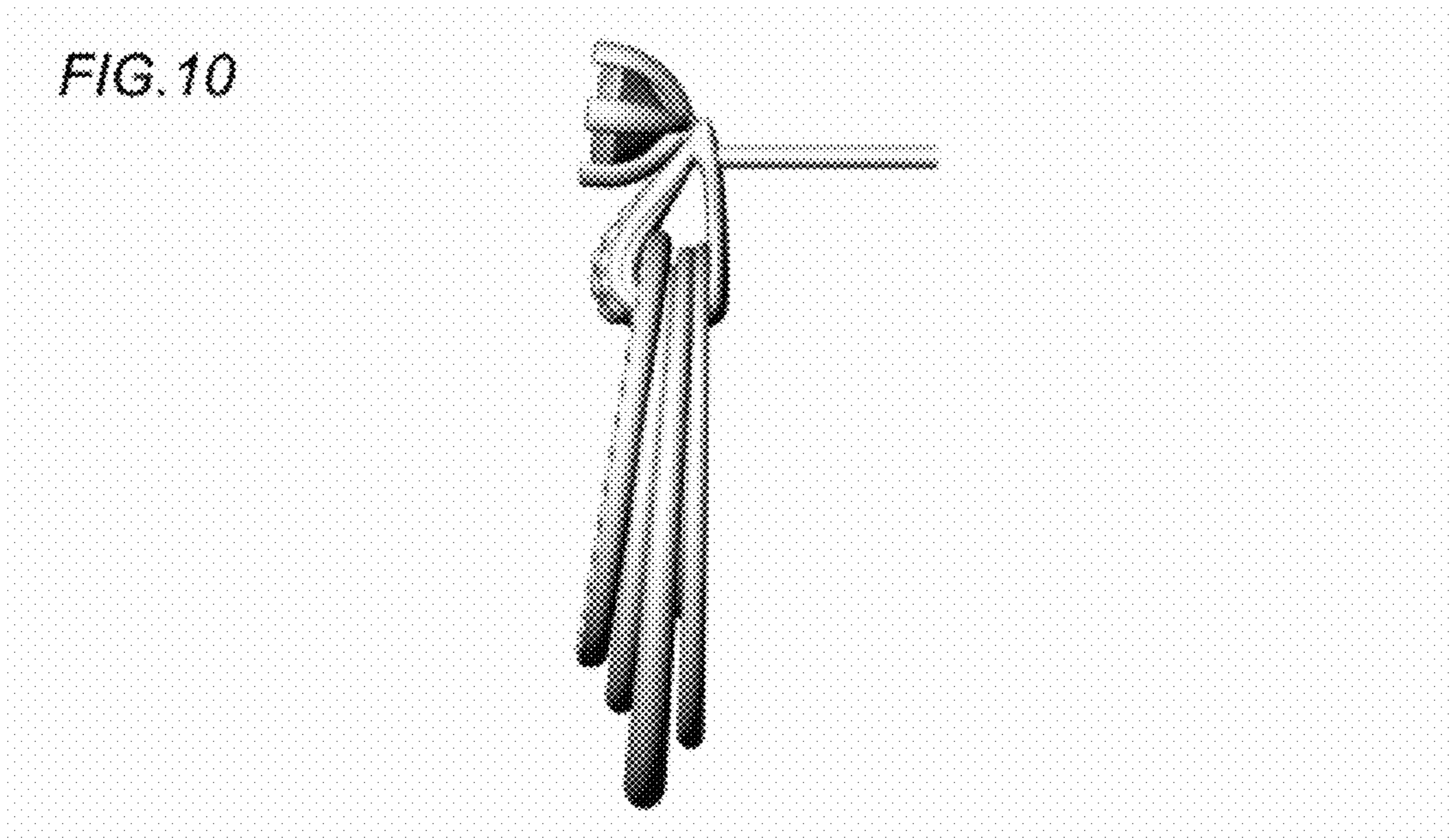


FIG. 11

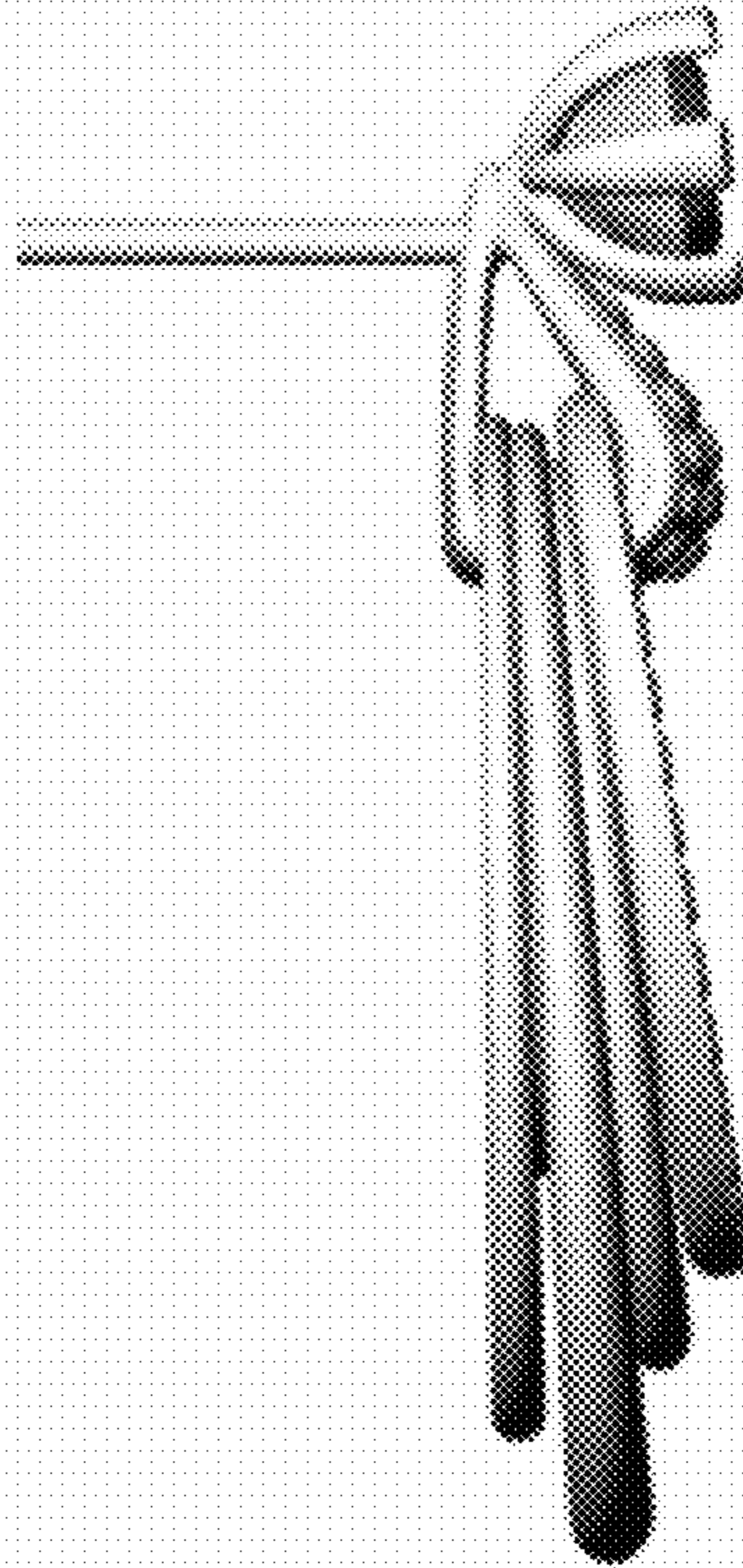


FIG. 12

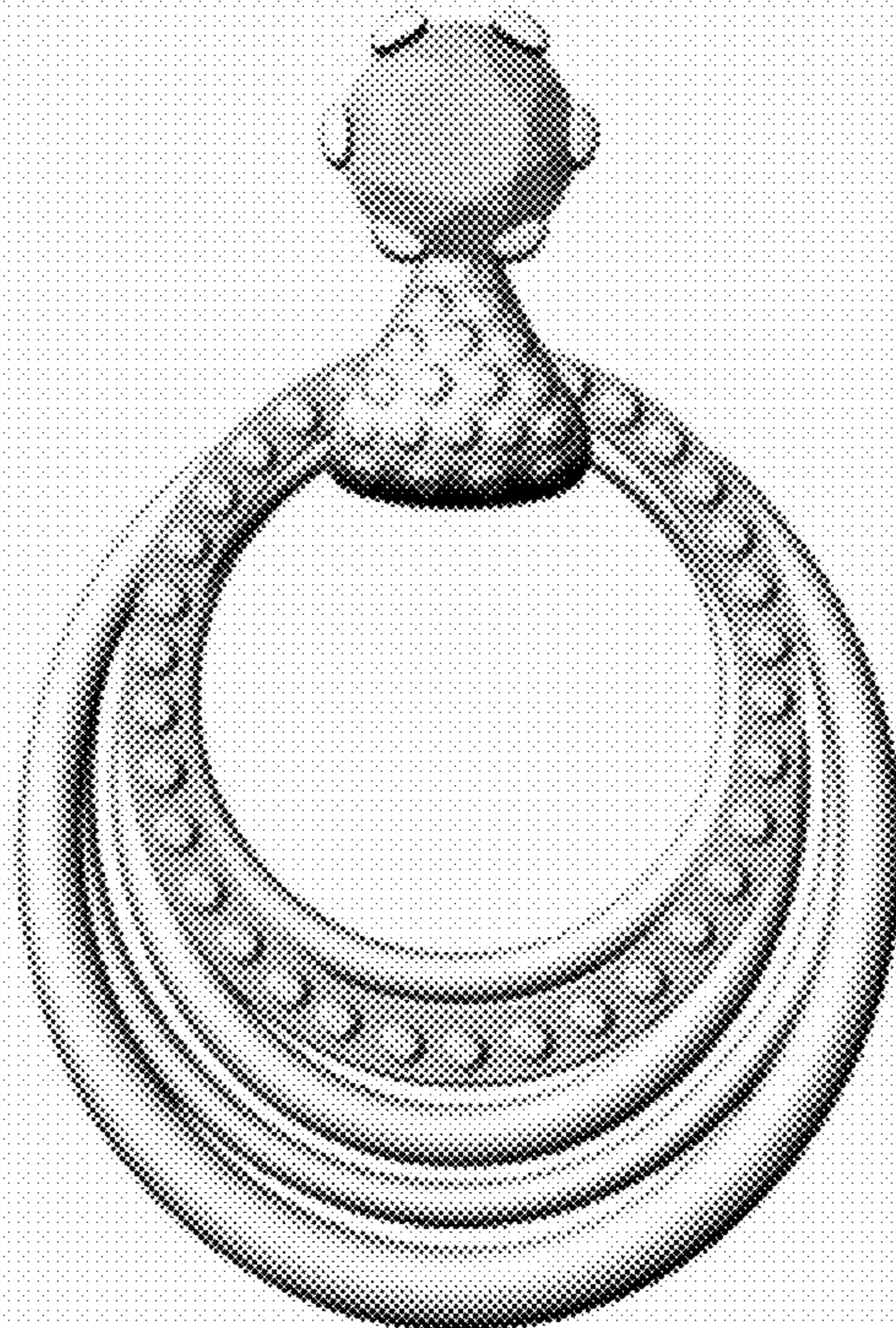




FIG. 13

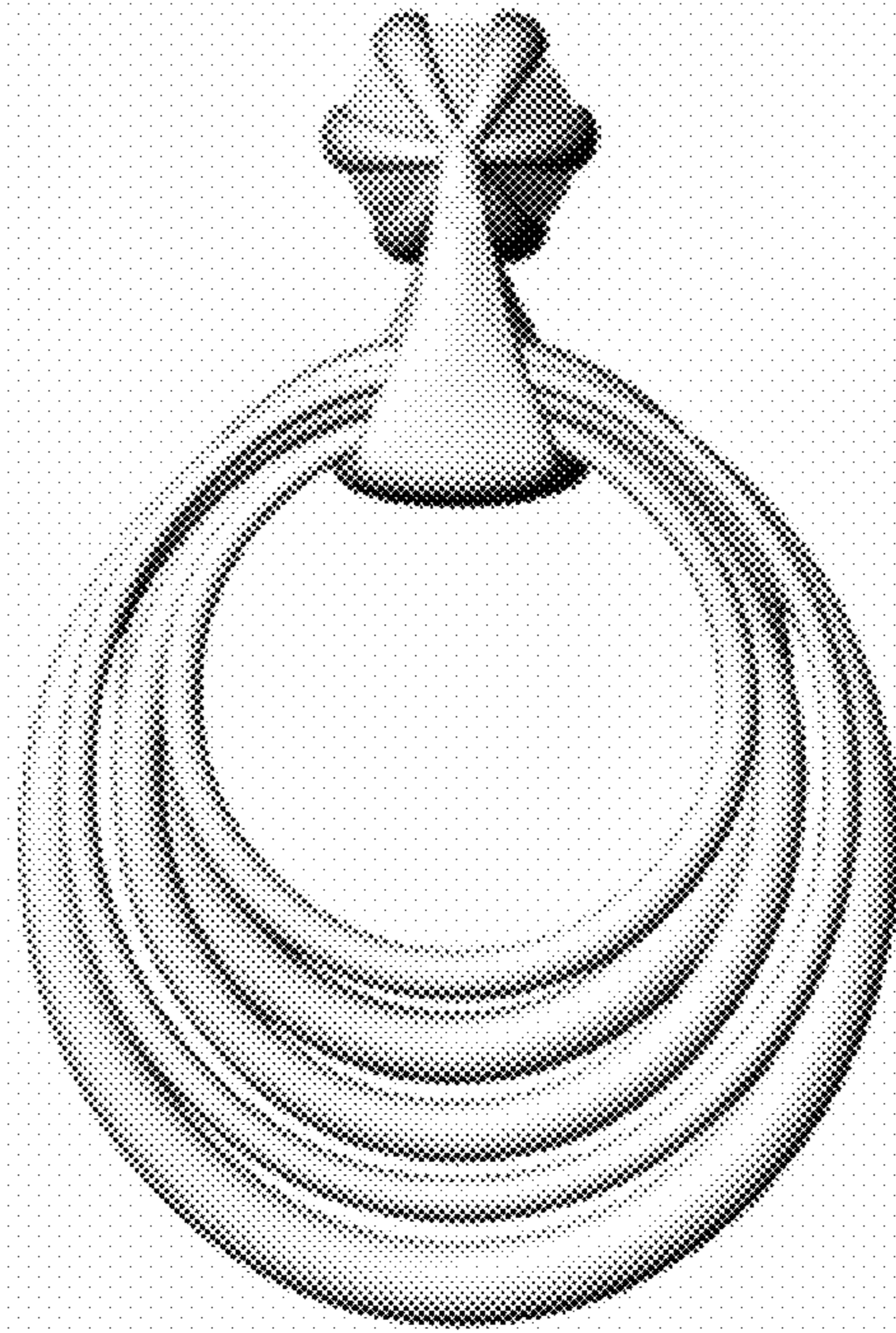


FIG. 14

