



US00D665294S

(12) **United States Design Patent**
Papadimitriou

(10) **Patent No.:** **US D665,294 S**

(45) **Date of Patent:** **** Aug. 14, 2012**

(54) **BRACELET**

(75) Inventor: **Costantino Papadimitriou**, Milan (IT)

(73) Assignee: **De Beers Centenary AG**, Lucerne (CH)

(**) Term: **14 Years**

(21) Appl. No.: **29/400,863**

(22) Filed: **Sep. 1, 2011**

(30) **Foreign Application Priority Data**

Mar. 3, 2011 (EM) 001830332
Mar. 3, 2011 (EM) 001830365

(51) **LOC (9) Cl.** **11-01**

(52) **U.S. Cl.** **D11/4; D11/34**

(58) **Field of Classification Search** D11/79-85,
D11/89-91, 40-48, 1-8, 26-39; 63/26-28,
63/12-14, 3, 3.1, 3.2, 15, 15.1-15.4, 15.45,
63/15.5, 15.6, 15.65

See application file for complete search history.

(56) **References Cited**

U.S. PATENT DOCUMENTS

D32,246 S 2/1900 Bigney
D40,581 S 3/1910 Finberg
1,732,250 A 10/1929 Wehse
D113,638 S 3/1939 Milhening
D137,237 S 2/1944 Chernow
D161,526 S 1/1951 Philippe
D162,079 S * 2/1951 Philippe D11/4
D164,946 S 10/1951 Philippe
D192,122 S * 1/1962 Braun D11/4
D246,354 S * 11/1977 Durante D11/36
D257,022 S * 9/1980 Barr D11/35

(Continued)

FOREIGN PATENT DOCUMENTS

FR 2700446 7/1994

Primary Examiner — Cathron Brooks

Assistant Examiner — Melanie Pellegrini

(74) *Attorney, Agent, or Firm* — SNR Denton US LLP;
Brian R. McGinley

(57) **CLAIM**

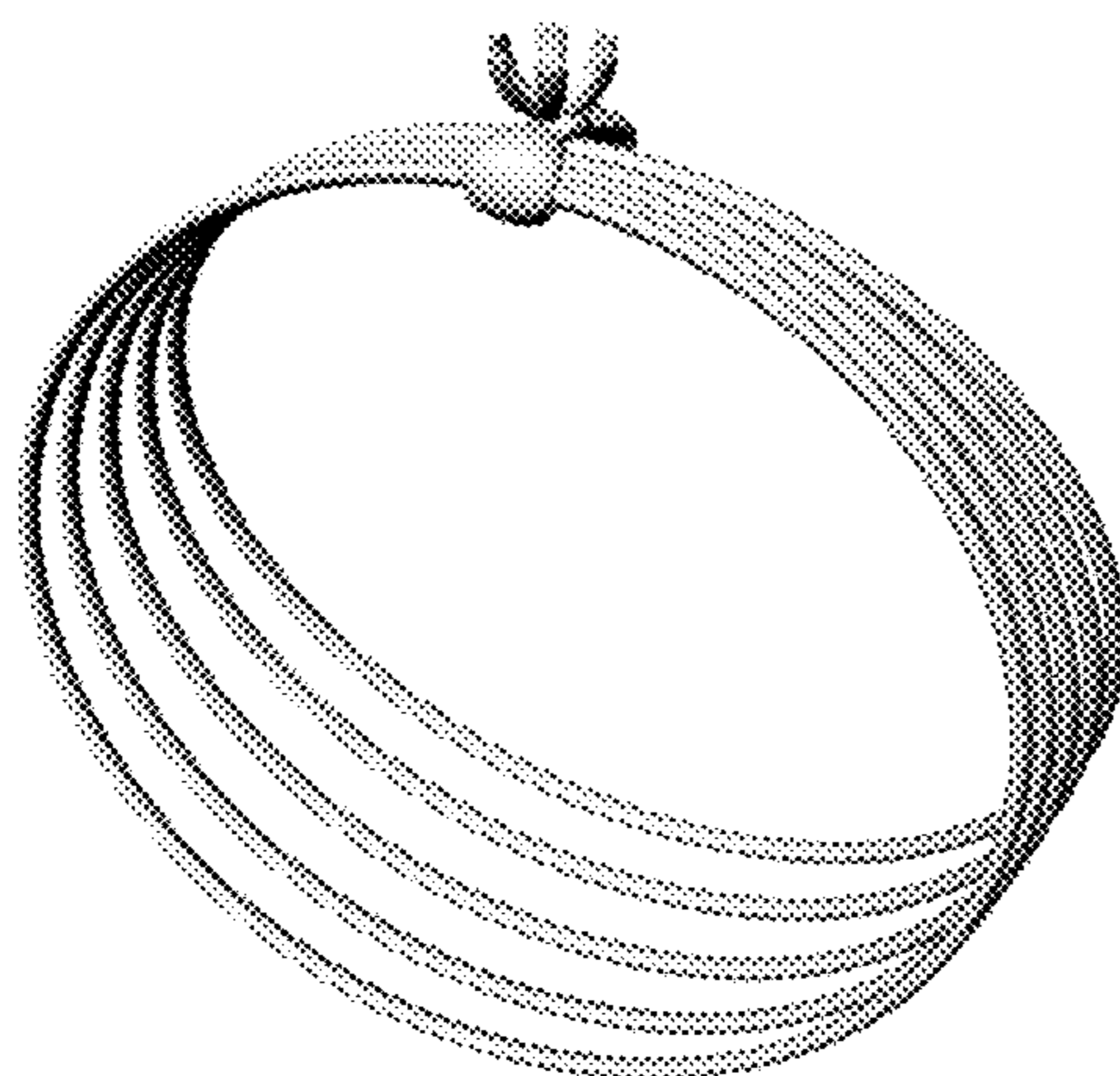
The ornamental design for a bracelet, as shown and described.

DESCRIPTION

FIG. 1 is a front view of a first embodiment of the bracelet;
FIG. 2 is a rear view of the bracelet illustrated in FIG. 1;
FIG. 3 is a right elevational view of the bracelet illustrated in
FIG. 1;
FIG. 4 is a left elevational view of the bracelet illustrated in
FIG. 1;
FIG. 5 is a top view of the bracelet illustrated in FIG. 1;
FIG. 6 is a bottom view of the bracelet illustrated in FIG. 1;
FIG. 7 is a perspective view of the bracelet illustrated in FIG.
1

FIG. 8 is a front view of a second embodiment of the bracelet;
FIG. 9 is a rear view of the bracelet illustrated in FIG. 8;
FIG. 10 is a right elevational view of the bracelet illustrated in
FIG. 8;
FIG. 11 is a left elevational view of the bracelet illustrated in
FIG. 8;
FIG. 12 is a top view of the bracelet illustrated in FIG. 8;
FIG. 13 is a bottom view of the bracelet illustrated in FIG. 8;
and,
FIG. 14 is a perspective view of the bracelet illustrated in FIG.
8.

1 Claim, 10 Drawing Sheets



US D665,294 S

Page 2

U.S. PATENT DOCUMENTS

D260,140 S	8/1981	Bicenko	
D270,722 S *	9/1983	Bulgari	D11/35
D291,664 S *	9/1987	Kelman	D11/27
D301,316 S	5/1989	Yoshida	
D301,317 S	5/1989	Yoshida	
D334,004 S *	3/1993	Mandelbaum	D11/76
5,419,158 A	5/1995	Sandberg et al.	
D399,779 S *	10/1998	Bulgari	D11/29
D408,316 S	4/1999	Perrin et al.	
D420,932 S *	2/2000	Shinohara	D11/26
6,568,213 B2 *	5/2003	Butler	63/26
D489,023 S *	4/2004	Steiner	D11/38
D489,024 S	4/2004	Beber et al.	
D514,011 S *	1/2006	Aghjayan et al.	D11/35
7,121,117 B2	10/2006	Gruosi-Scheufele	
D533,479 S	12/2006	Dubnicka	
D542,696 S	5/2007	Cilluffo	
D562,173 S *	2/2008	Hardy	D11/4
D586,685 S	2/2009	Grassi Damiani	
D597,435 S	8/2009	Gruosi	
D630,541 S *	1/2011	Shimansky	D11/26
D639,690 S *	6/2011	Zhu	D11/3
2008/0087042 A1 *	4/2008	Heimann	63/26
2009/0235689 A1 *	9/2009	Slowinski	63/15

* cited by examiner

FIG. 1

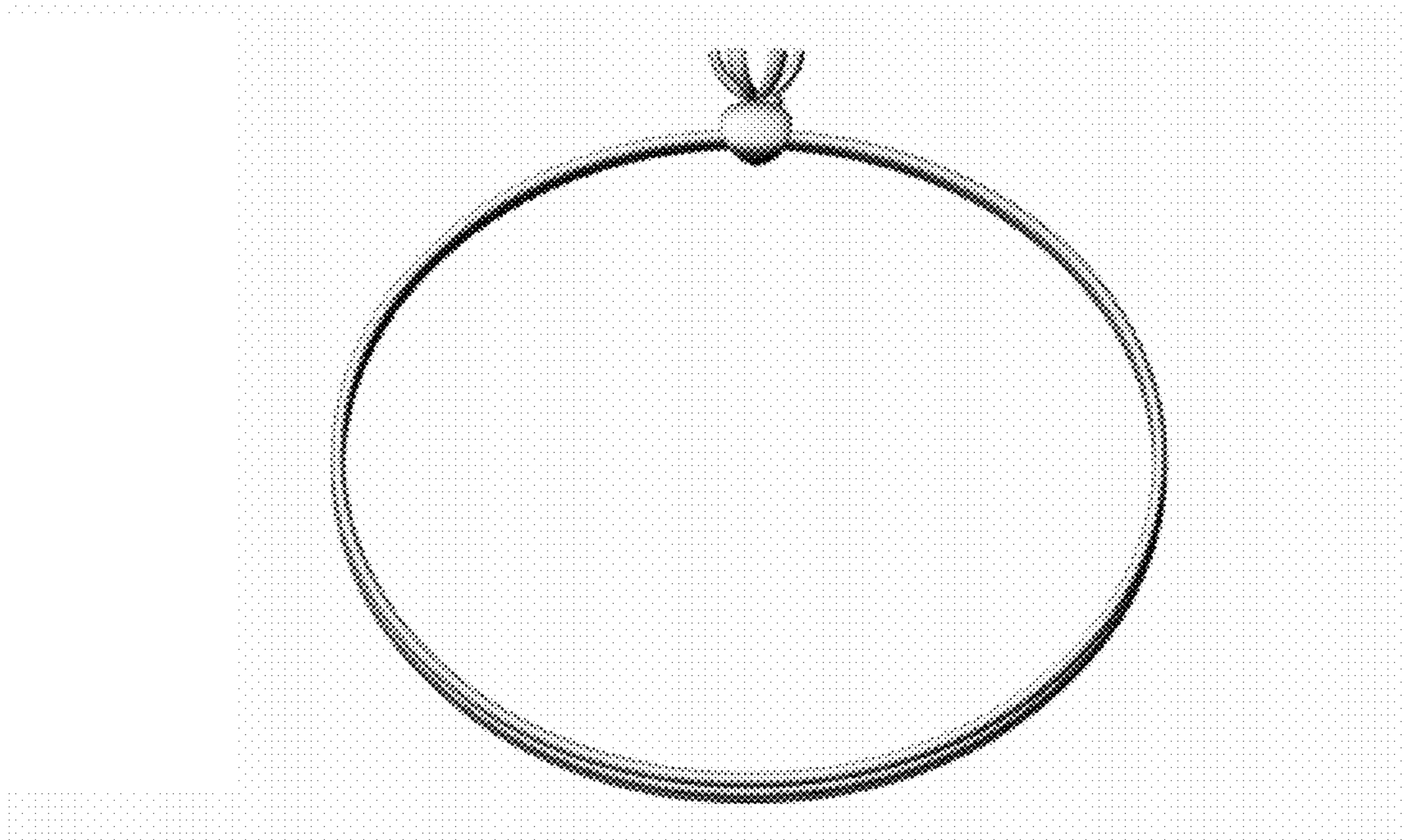


FIG. 2



FIG. 3

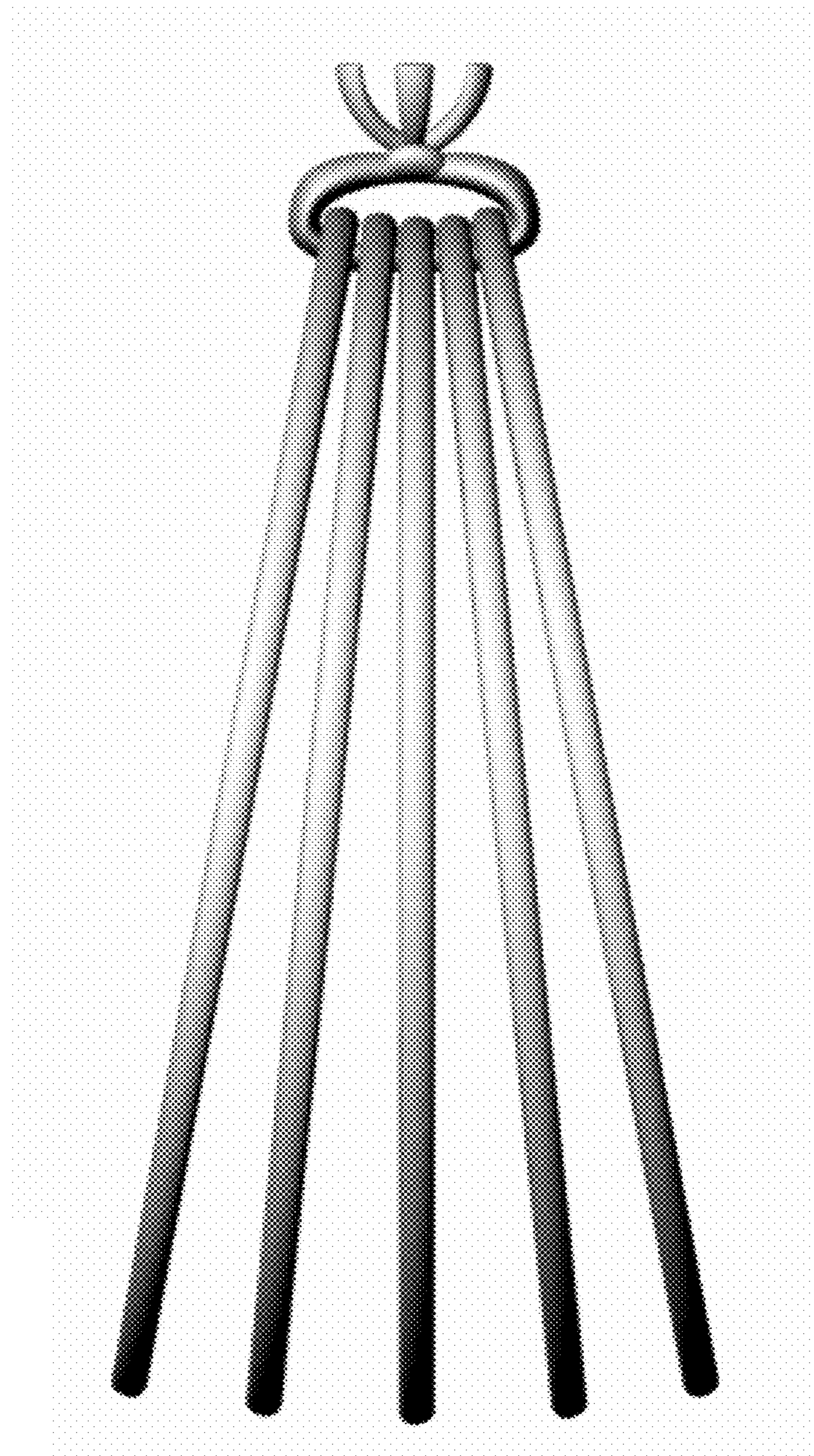


FIG. 4

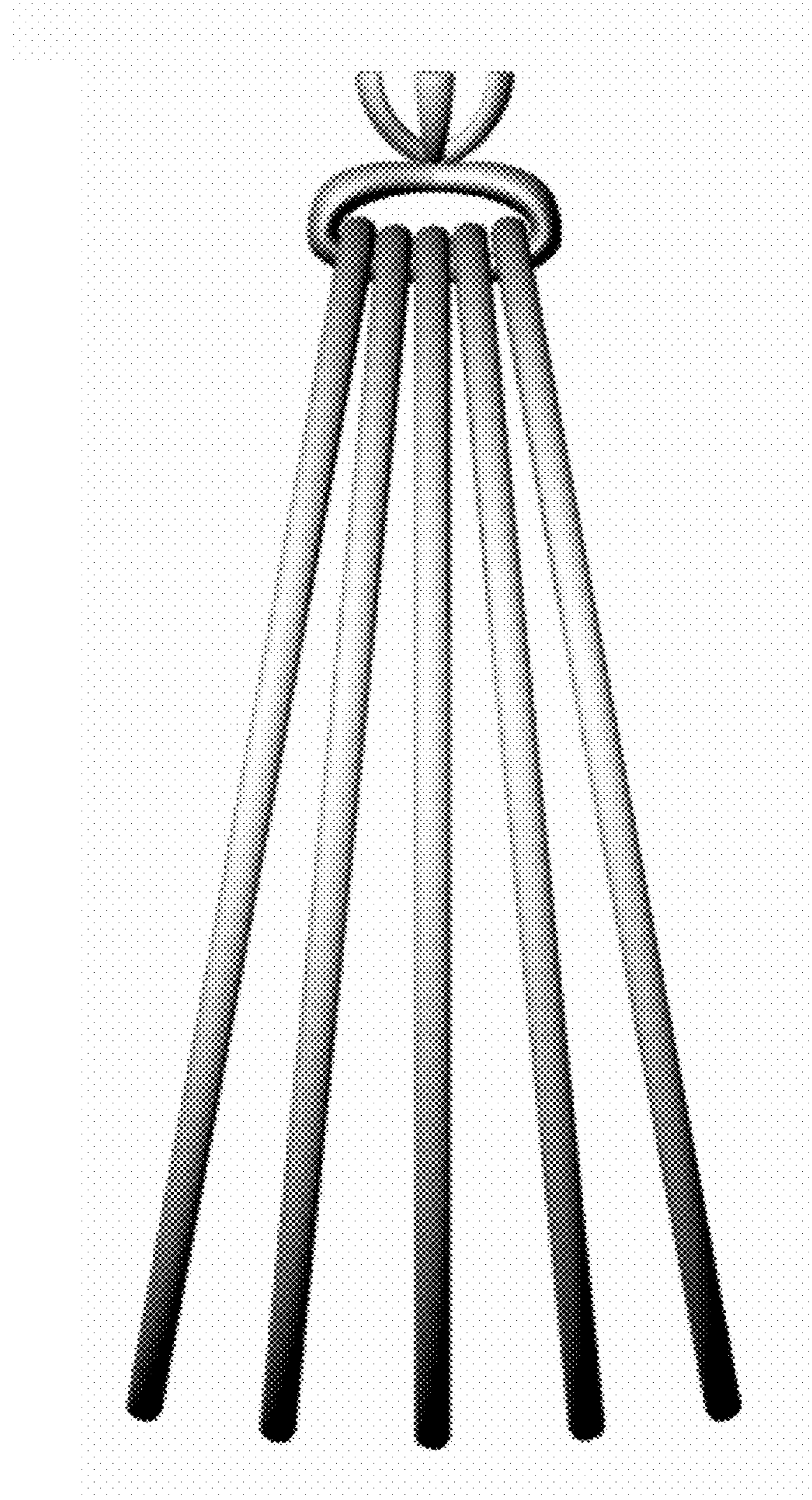


FIG. 5

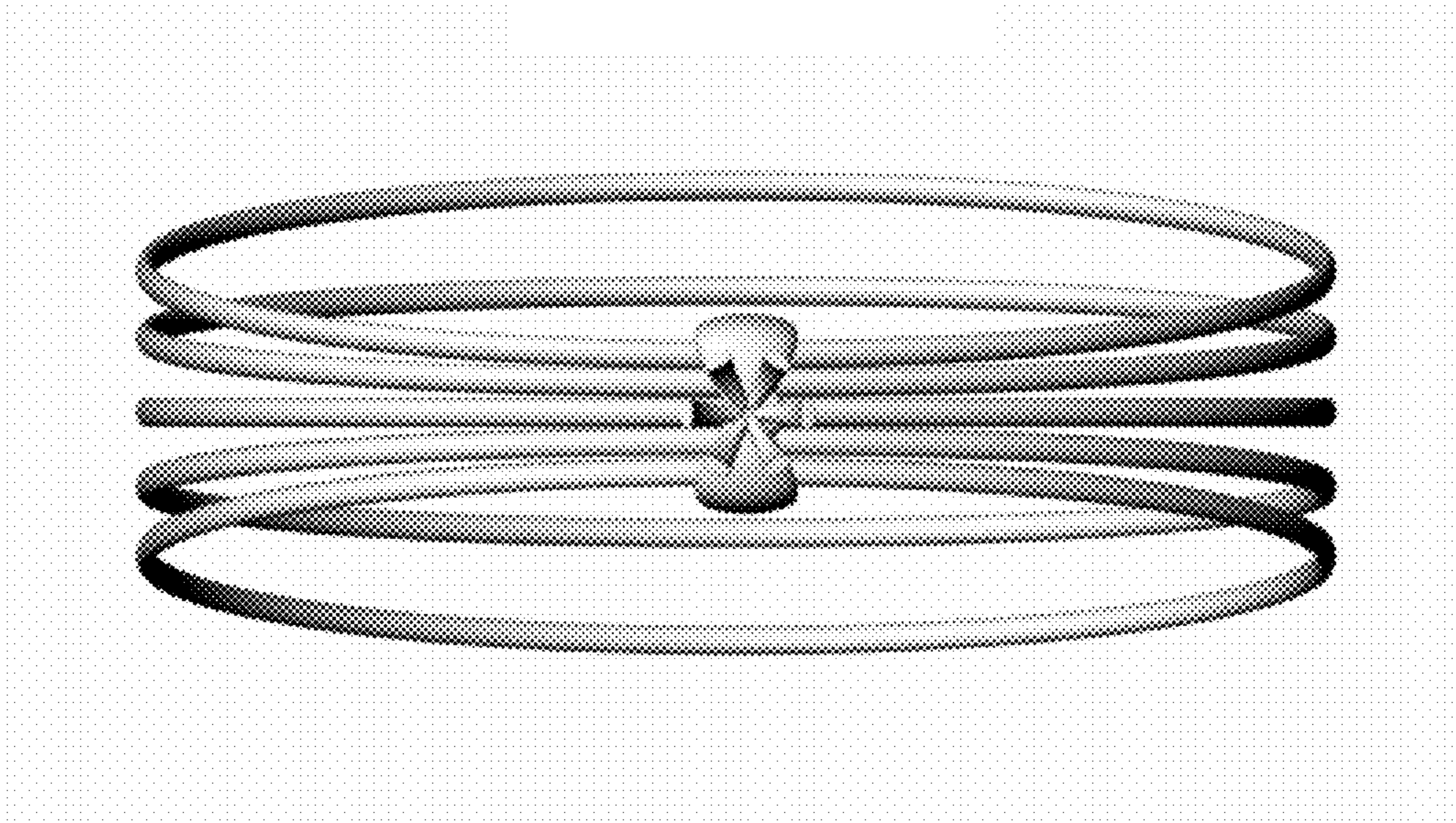


FIG. 6

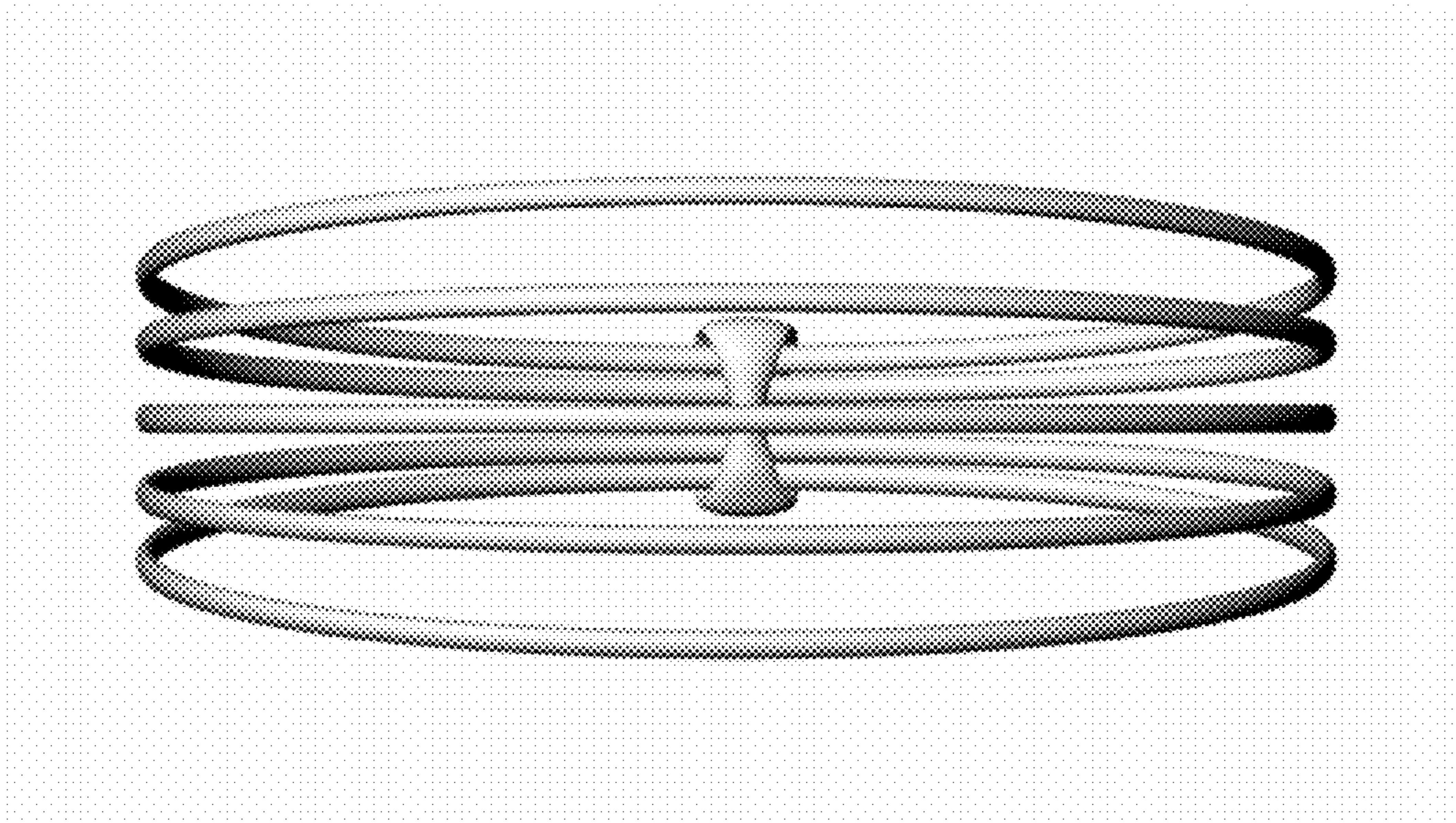


FIG. 7

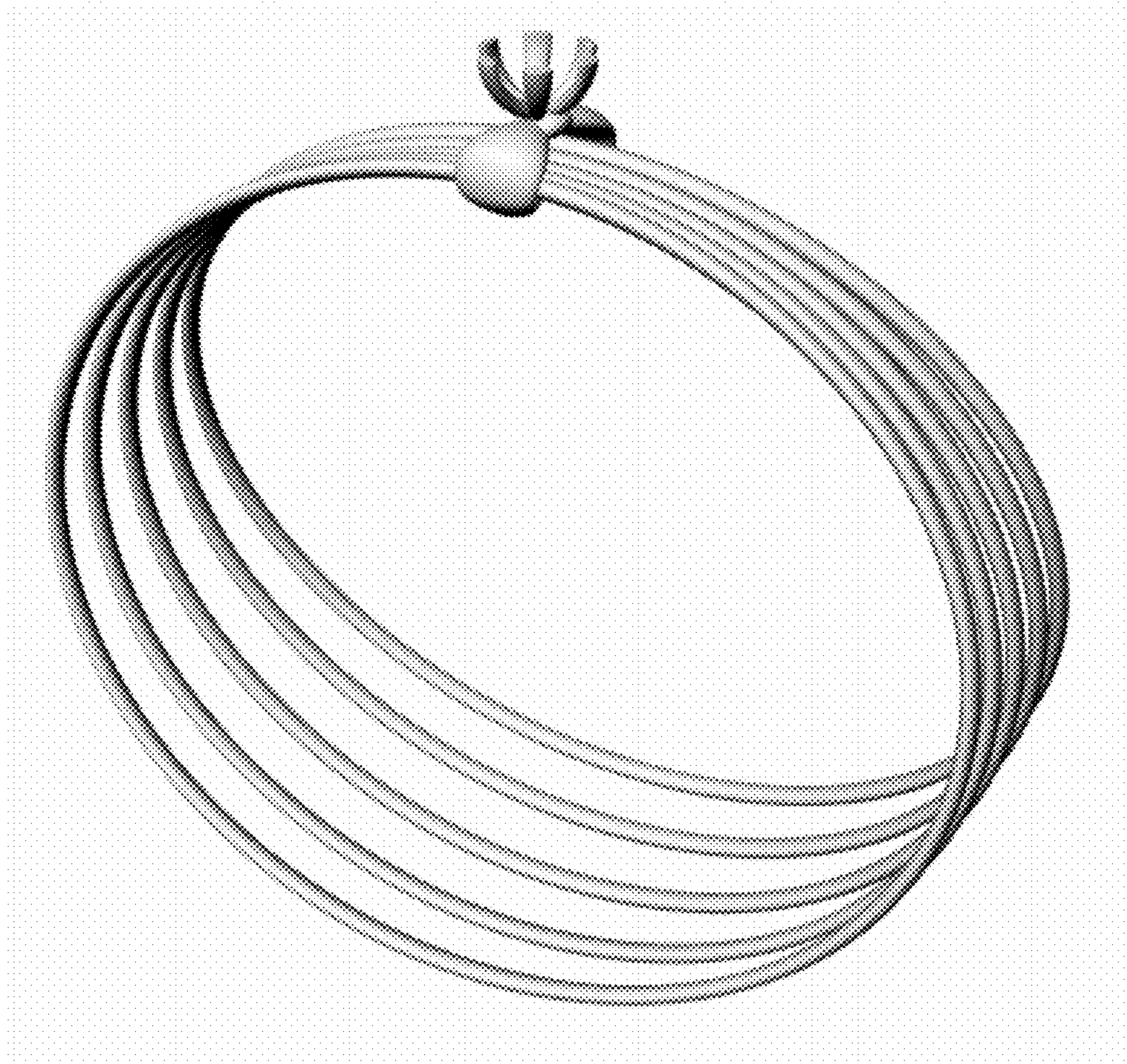


FIG. 8



FIG. 9



FIG. 10

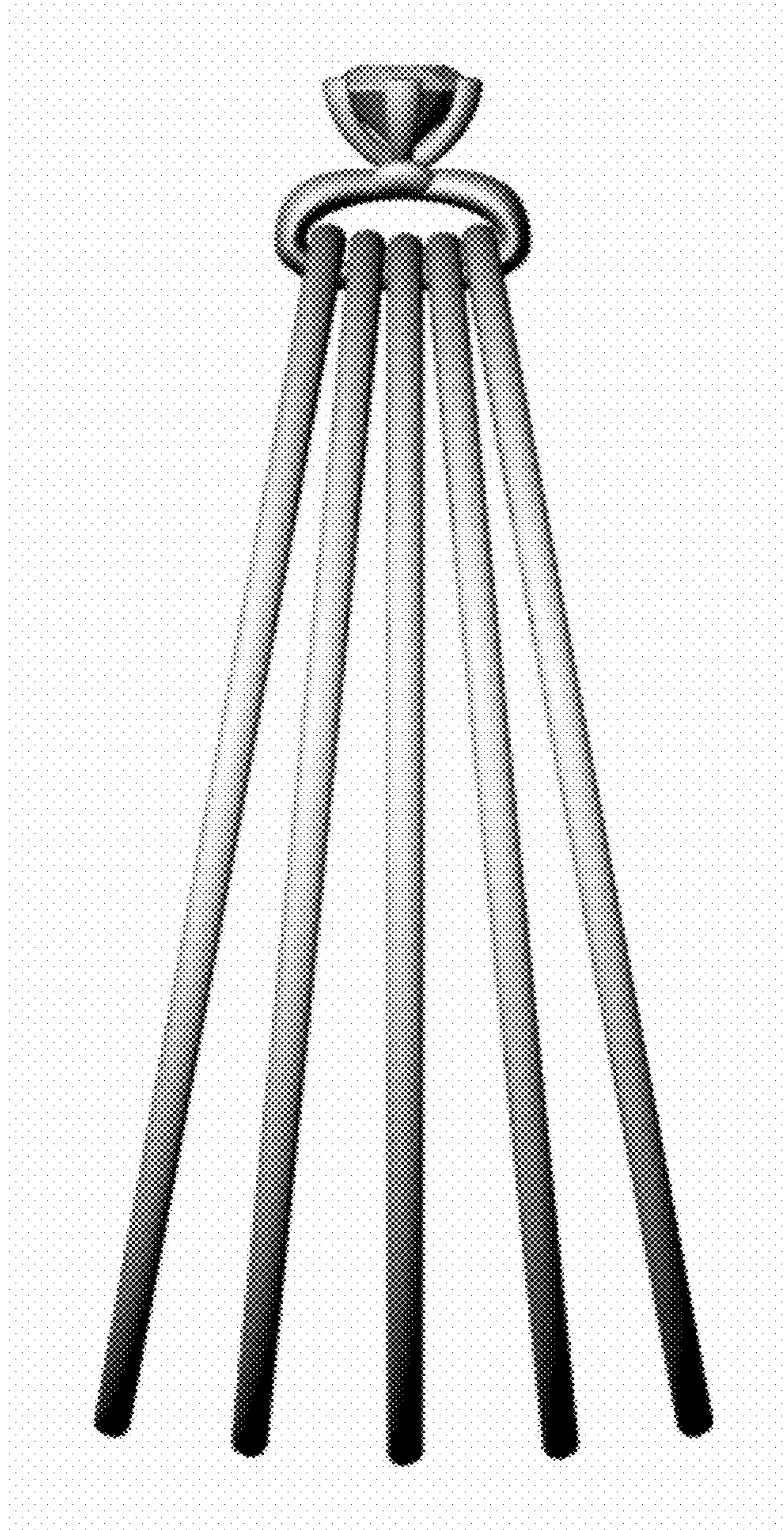


FIG. 11

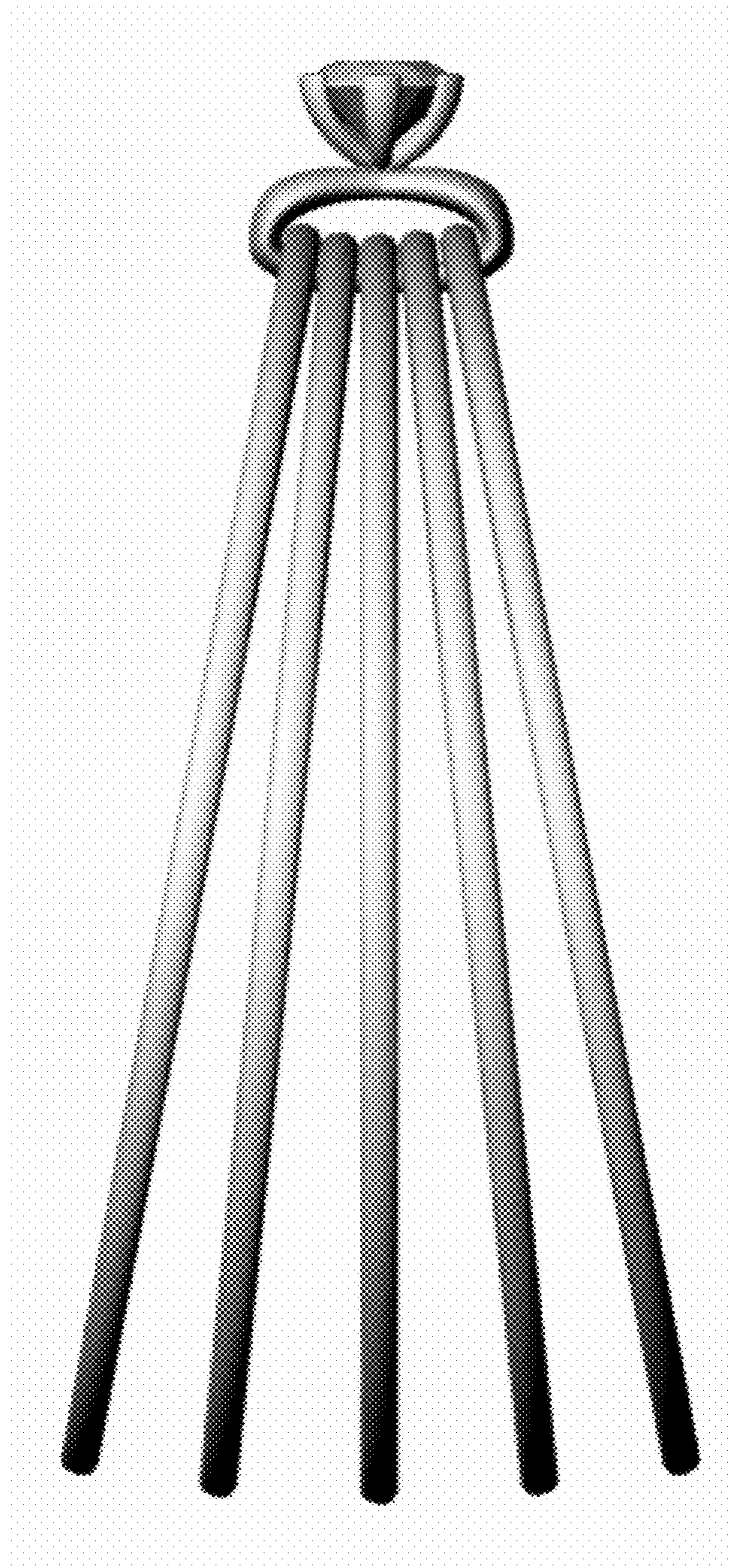


FIG. 12

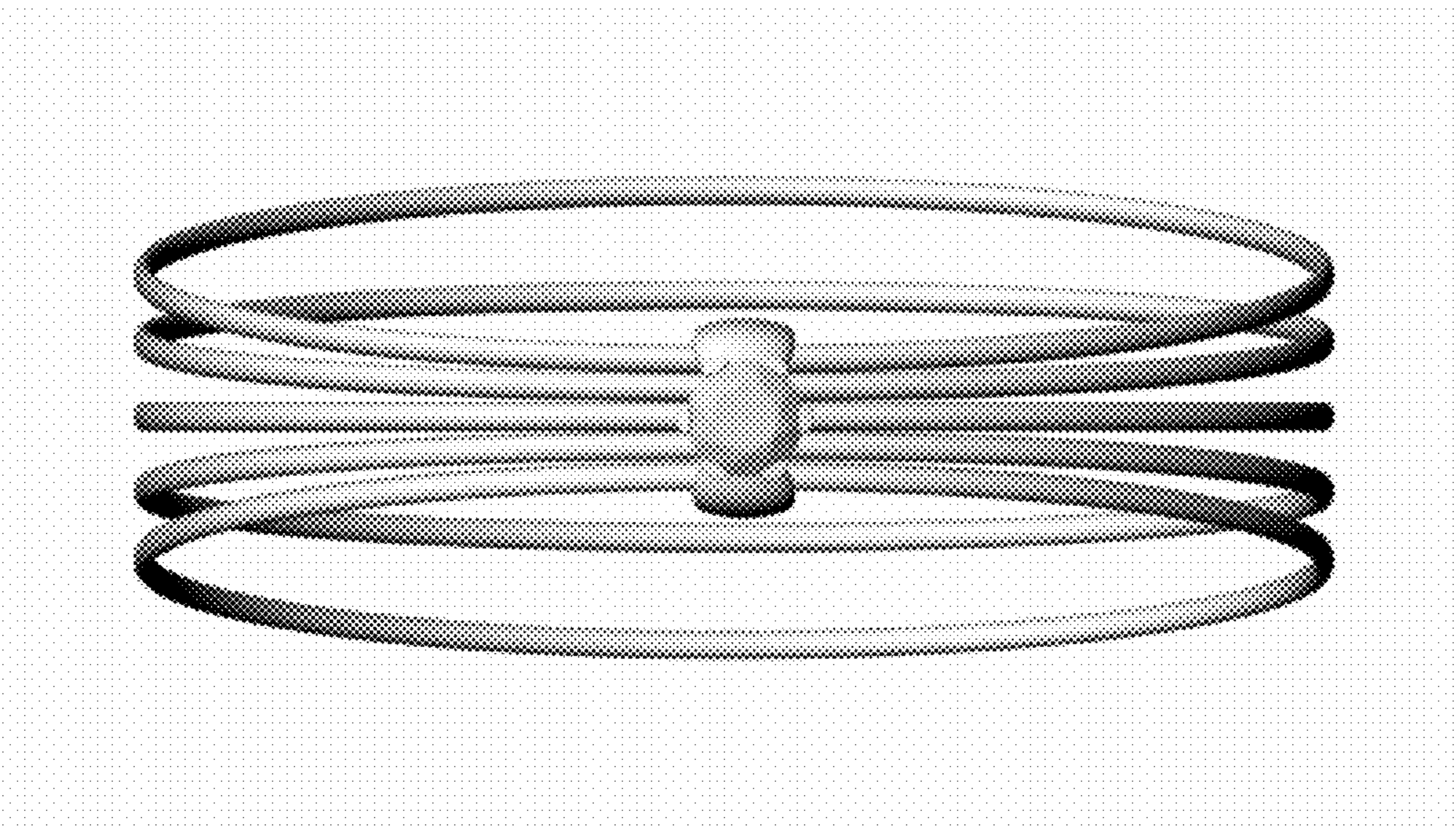


FIG. 13

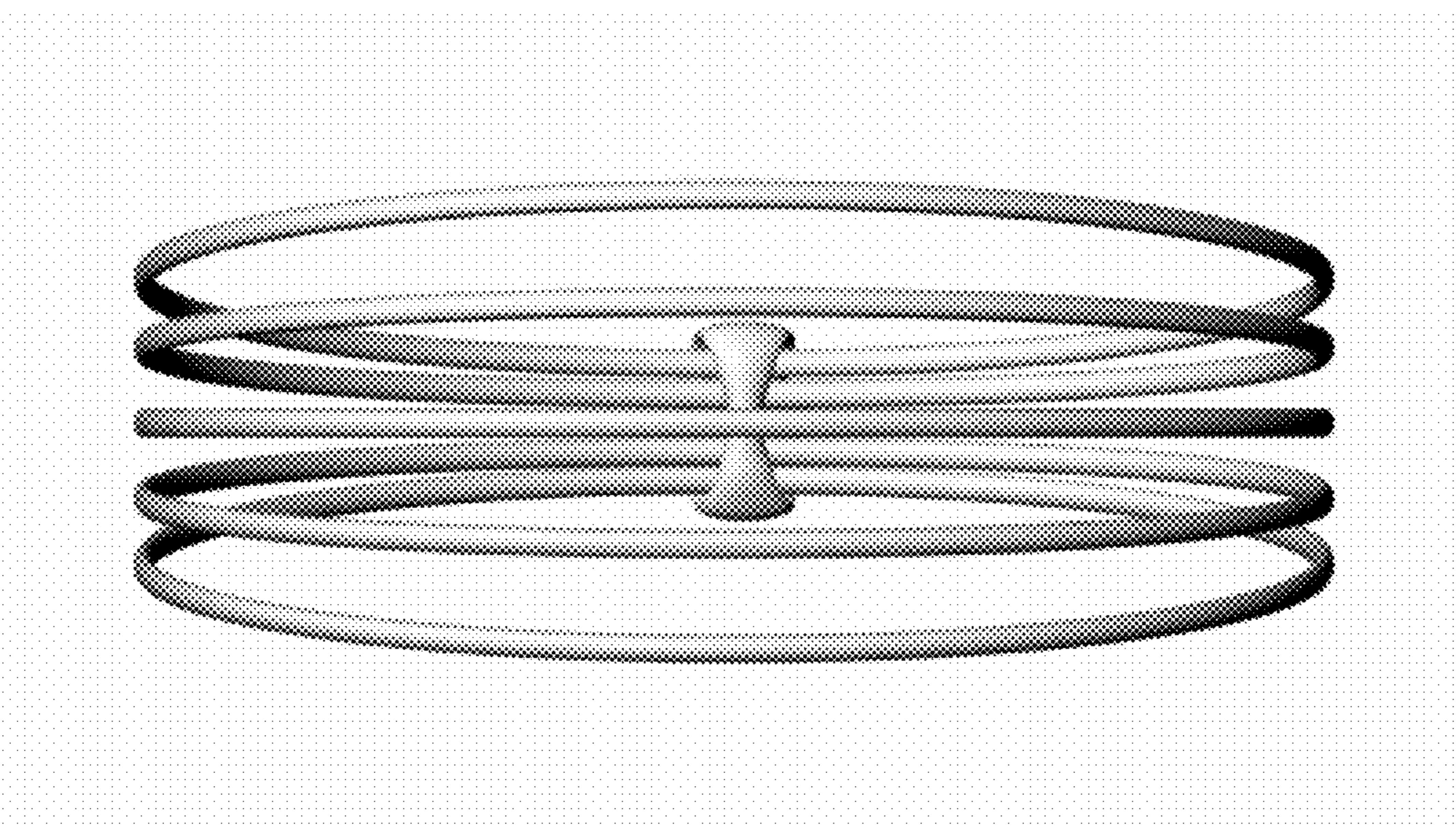


FIG. 14

