



US00D665290S

(12) **United States Design Patent**
Bhate et al.

(10) **Patent No.:** **US D665,290 S**
(45) **Date of Patent:** **** Aug. 14, 2012**

(54) **WIRELESS SENSOR**

(75) Inventors: **Nikhil Vathal Bhate**, East Norriton, PA (US); **Elliot G. Jacoby**, Glenside, PA (US); **Gregory Altonen**, Easton, PA (US); **Jason C. Killo**, Emmaus, PA (US); **Greg Edward Sloan**, Allentown, PA (US)

(73) Assignee: **Lutron Electronics Co., Inc.**, Coopersburg, PA (US)

(**) Term: **14 Years**

(21) Appl. No.: **29/375,347**

(22) Filed: **Sep. 21, 2010**

(51) **LOC (9) Cl.** **10-05**

(52) **U.S. Cl.** **D10/106.6**

(58) **Field of Classification Search** ... D10/106.6-106.8, D10/104.1; D13/158, 134, 125; 340/628, 340/584, 693.5

See application file for complete search history.

(56) **References Cited**

U.S. PATENT DOCUMENTS

D308,647 S	6/1990	Mayo	
D360,842 S	8/1995	Hu	
D367,622 S *	3/1996	DeWitt D10/106.5
D369,348 S	4/1996	Hu	
D397,233 S	8/1998	Bassford	
D402,269 S	12/1998	Waters	
D451,386 S	12/2001	Rice	
D454,337 S	3/2002	Robinson	
6,388,399 B1	5/2002	Eckel et al.	
D494,235 S	8/2004	Edwards	
D516,043 S	2/2006	Jacoby et al.	
D597,430 S	8/2009	Sloan et al.	
D602,388 S	10/2009	Killo et al.	

D603,284 S	11/2009	Sloan et al.	
D631,770 S *	2/2011	Killo et al. D10/106.5
2001/0038337 A1 *	11/2001	Wickstead et al. 340/628

OTHER PUBLICATIONS

U.S. Appl. No. 29/343,024, filed Sep. 4, 2009, Killo et al.
Lutron Electronics Co., Inc., MW-PS-WH microPS Daylight Sensor Specification Submittal Sheet, Apr. 1, 2004, 4 sheets.
Lutron Electronics Co., Inc., Ecosystem C-SR-M1-WH Fixture Mountable Daylight Sensor Specification Submittal Sheet, Feb. 19, 2008, 3 sheets.
The Watt Stopper, LS-290C v2 Photocell Installation Instructions, Jul. 2007, 2 sheets.
Leviton Manufacturing Co., Inc., Centura Fluorescent Dimming & Energy Management System Brochure, 2001, 12 pages.
Sensor Switch, Inc., CM-PC On/Off Photocell Sensor Data Sheet, Jul. 10, 2006, 2 sheets.
PLC Multipoint, Inc., MAS Milli-Amp Light Sensor Data Sheet, Feb. 22, 2008, 2 sheets.

* cited by examiner

Primary Examiner — Caron D Veynar

Assistant Examiner — George D Kirschbaum

(74) *Attorney, Agent, or Firm* — Mark E. Rose; Philip N. Smith; Bridget L. McDonough

(57) **CLAIM**

We claim the ornamental design for a wireless sensor, as shown and described.

DESCRIPTION

FIG. 1 is a perspective view of a wireless sensor, showing our new design.

FIG. 2 is a front view thereof.

FIG. 3 is a left side view thereof.

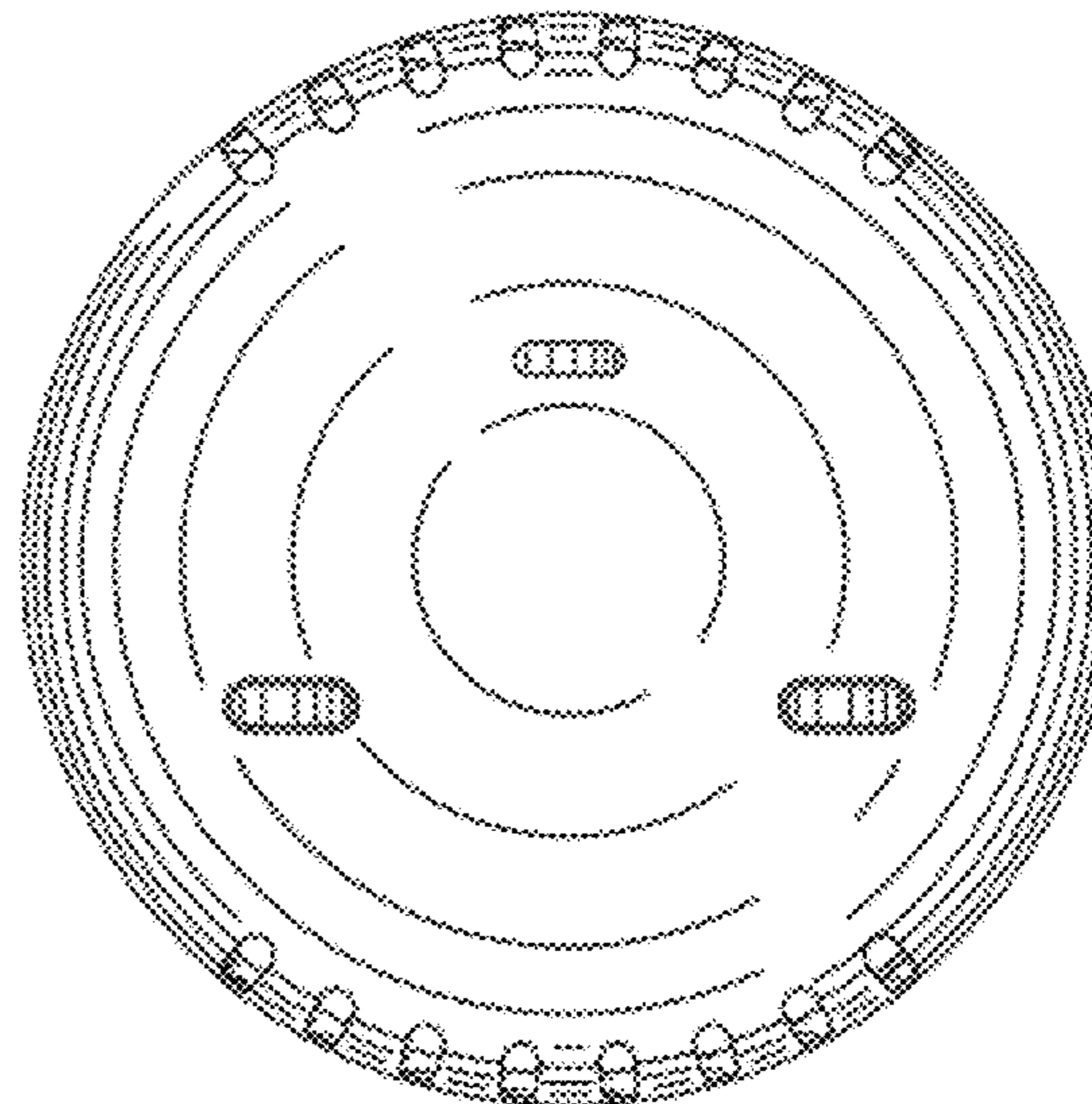
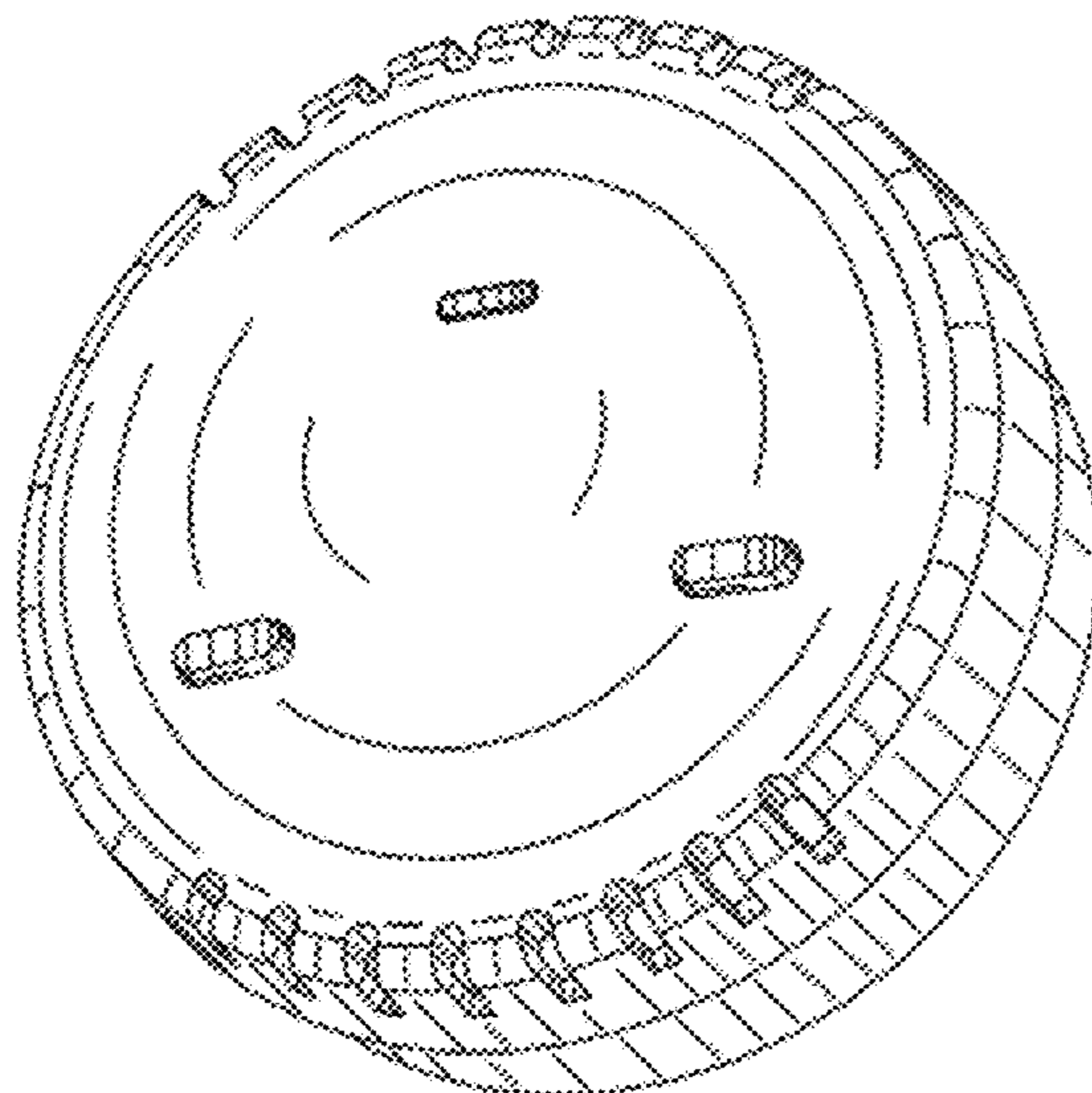
FIG. 4 is a right side view thereof.

FIG. 5 is a top view thereof; and,

FIG. 6 is a bottom view thereof.

The rear view forms no part of the design and is omitted.

1 Claim, 3 Drawing Sheets



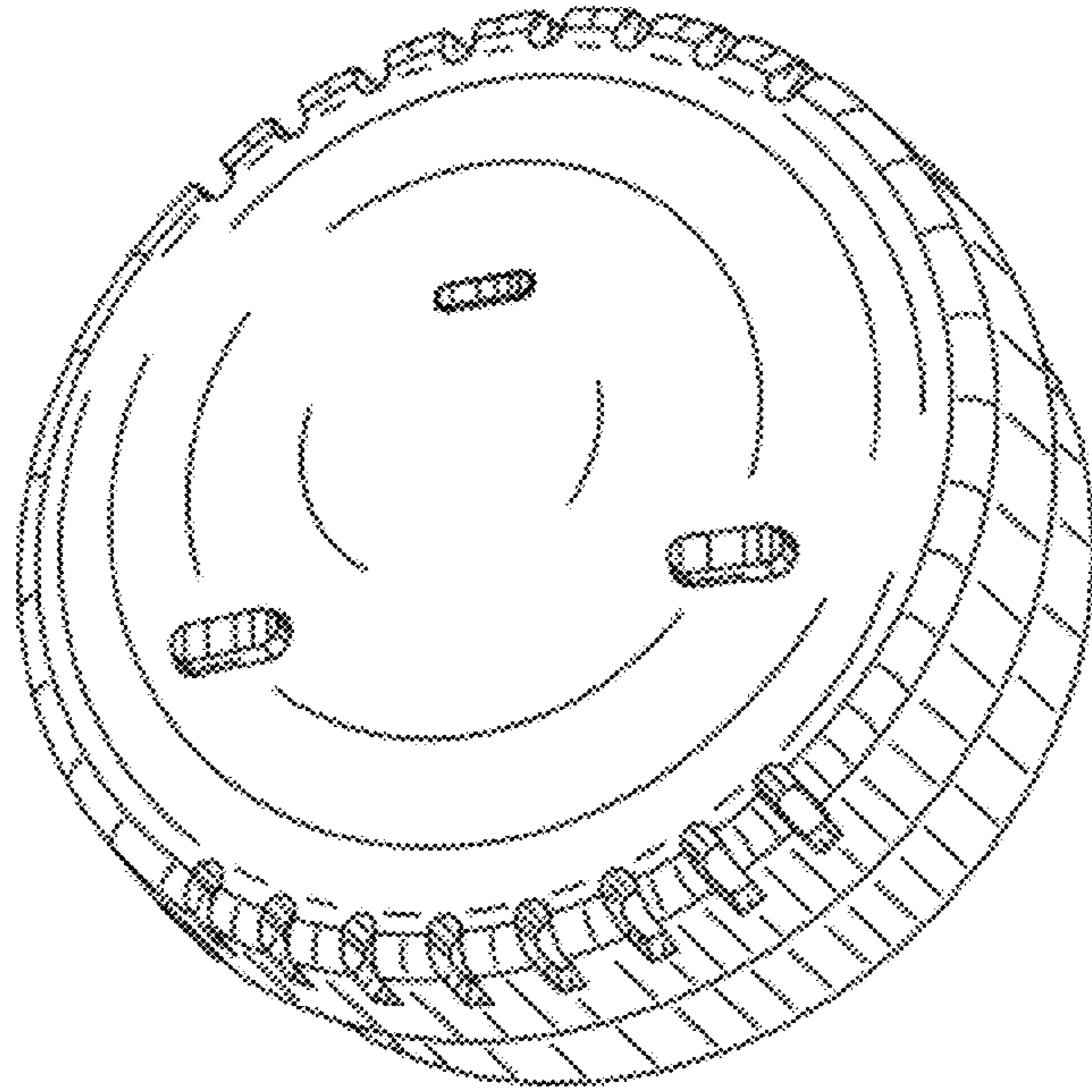


Fig. 1

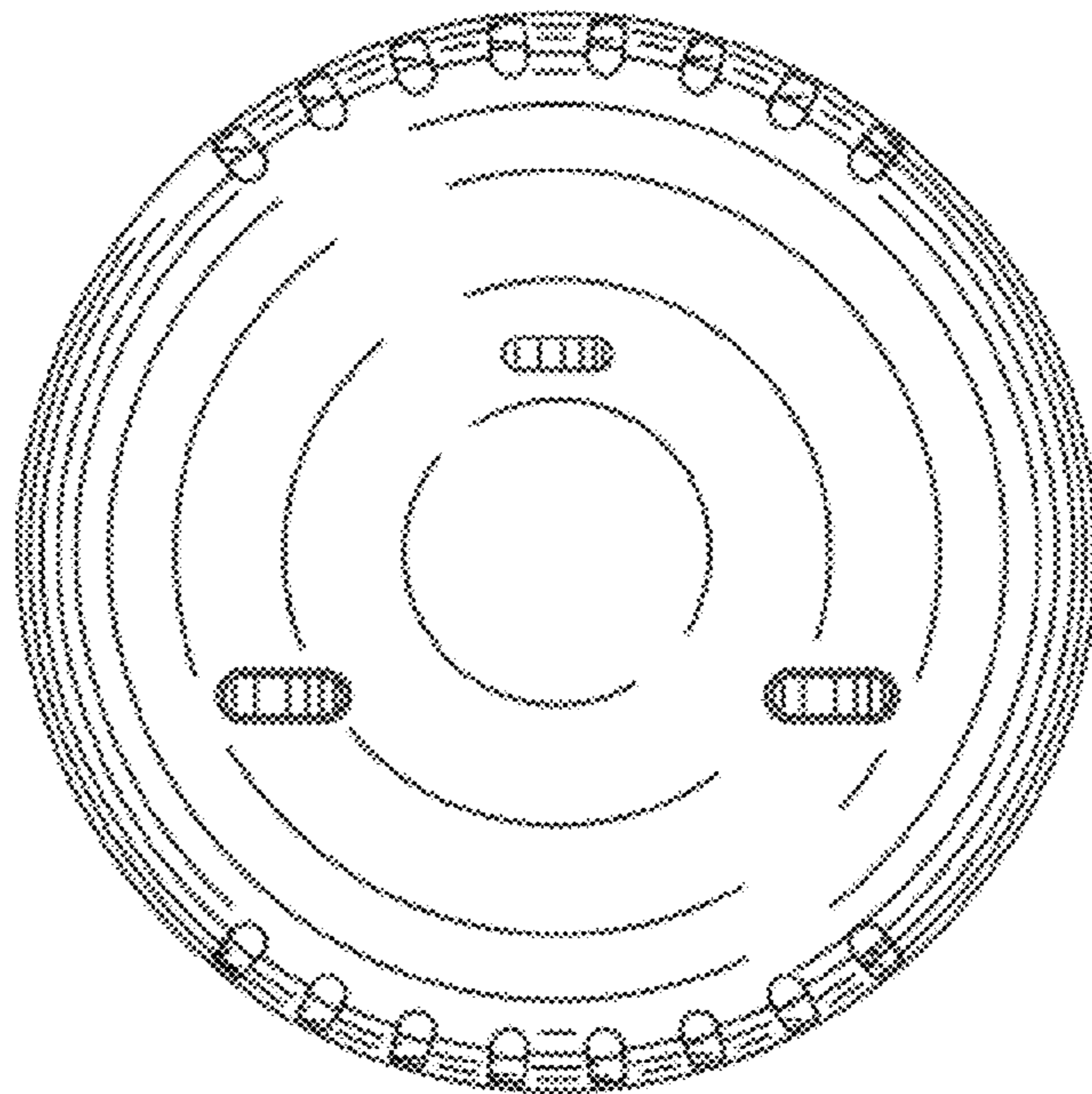


Fig. 2

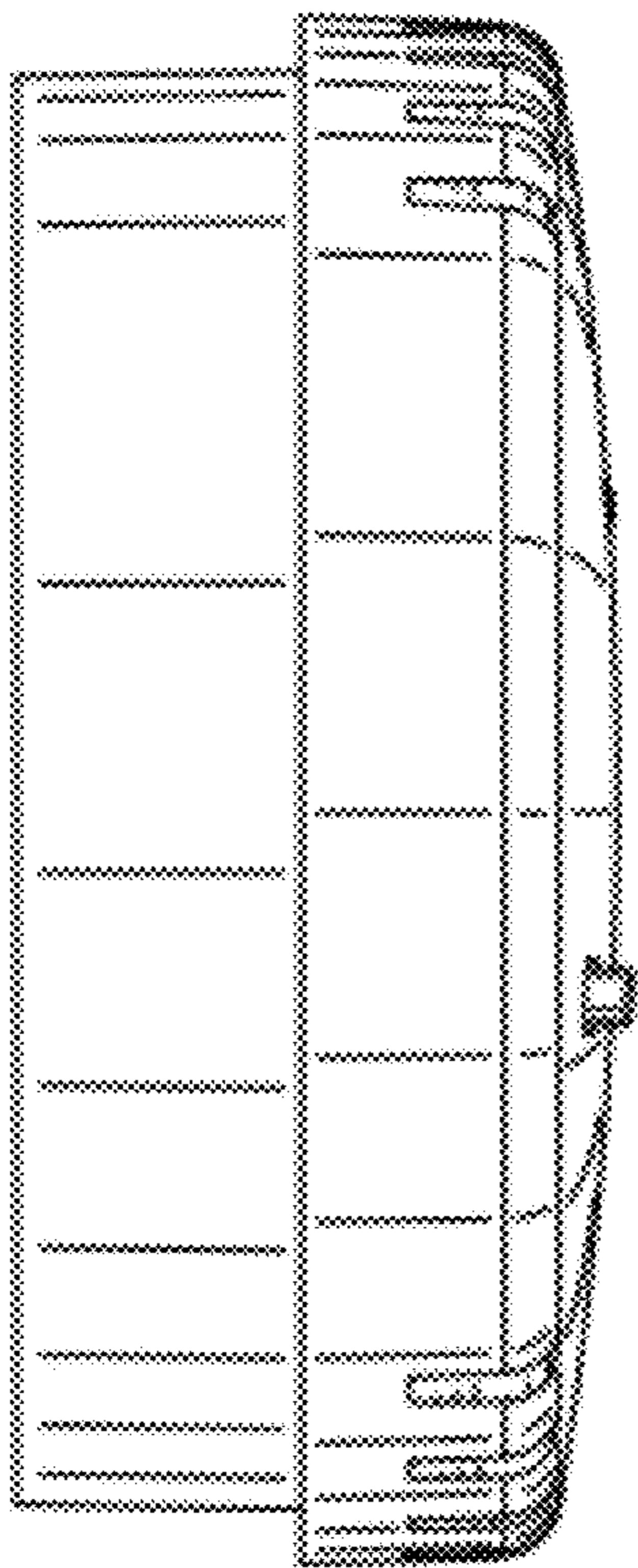


Fig. 3

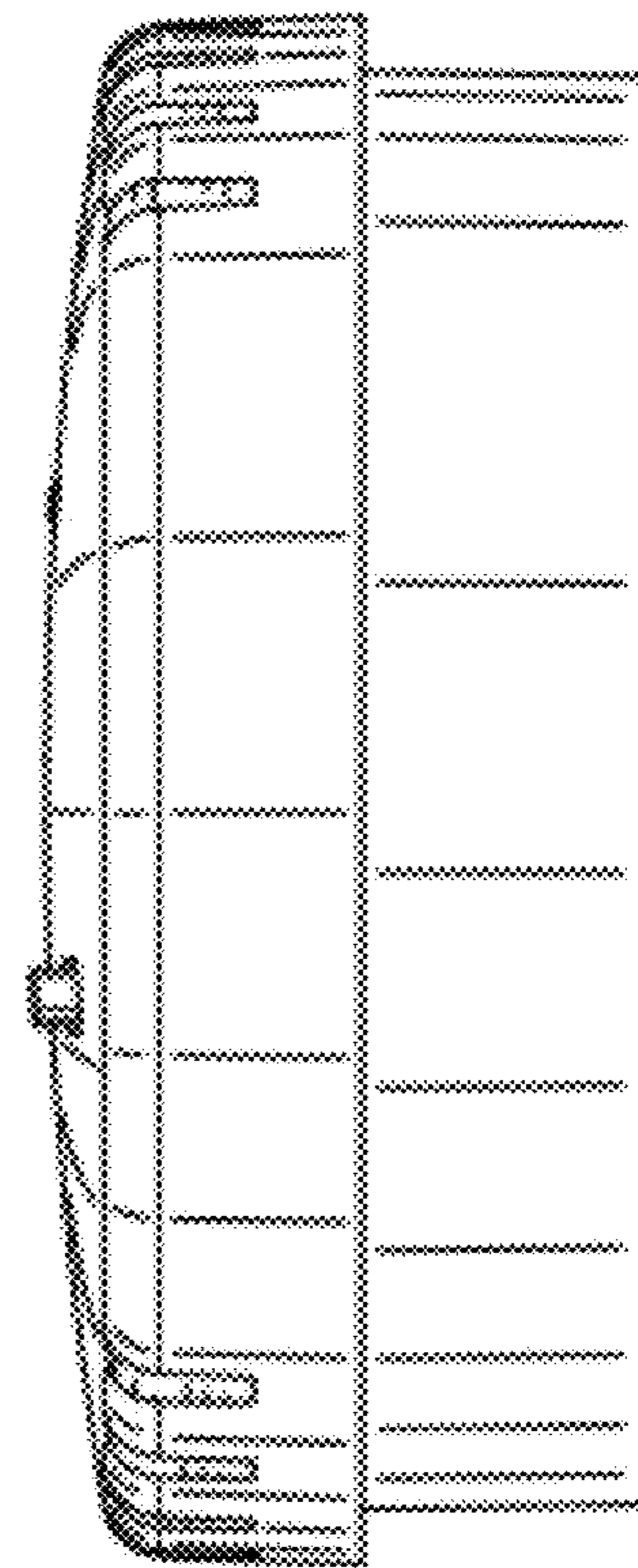


Fig. 4

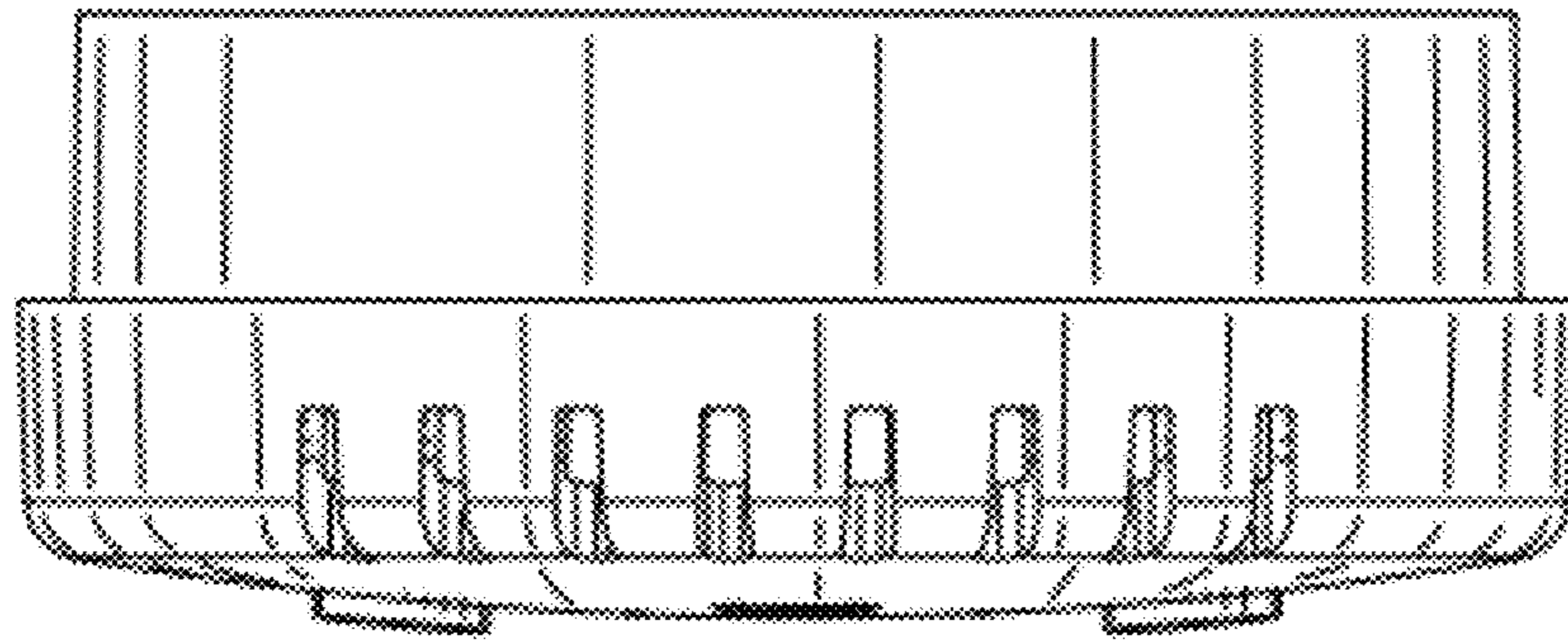


Fig. 5

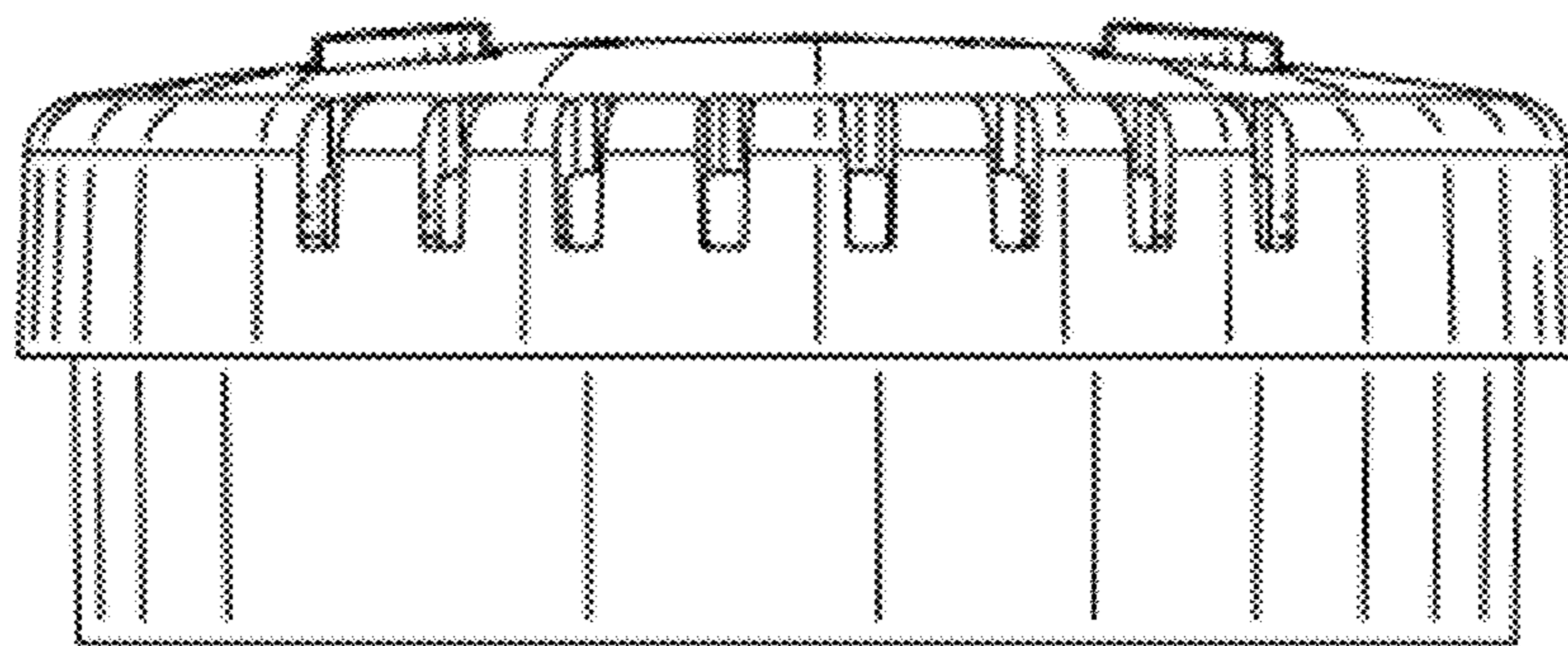


Fig. 6