

US00D665289S

(12) **United States Design Patent**
Thalhammer

(10) **Patent No.:** **US D665,289 S**

(45) **Date of Patent:** **** Aug. 14, 2012**

(54) **DETECTOR**

(75) Inventor: **Stefan Thalhammer**, Baierbrunn (DE)

(73) Assignee: **Robert Bosch GmbH**, Stuttgart (DE)

(**) Term: **14 Years**

(21) Appl. No.: **29/398,997**

(22) Filed: **Aug. 8, 2011**

(30) **Foreign Application Priority Data**

Feb. 9, 2011 (EM) 001818857

(51) **LOC (9) Cl.** **10-05**

(52) **U.S. Cl.** **D10/106.5**

(58) **Field of Classification Search** ... D10/106.2-106.5;
340/531, 540-545, 555, 558, 571-573, 556;
392/423; 362/276; 428/192; 134/21

See application file for complete search history.

(56) **References Cited**

U.S. PATENT DOCUMENTS

D271,670 S *	12/1983	Takai et al.	D10/106.5
D453,304 S *	2/2002	Job	D10/106.5
D622,170 S *	8/2010	Cargile	D10/106.5
D628,108 S *	11/2010	Akdag et al.	D10/106.5
D631,379 S *	1/2011	Sutton	D10/106.5
D653,576 S *	2/2012	Thalhammer	D10/106.5

D653,577 S * 2/2012 Thalhammer D10/106.5
* cited by examiner

Primary Examiner — Caron D Veynar

Assistant Examiner — George D Kirschbaum

(74) *Attorney, Agent, or Firm* — Maginot, Moore & Beck

(57) **CLAIM**

The ornamental design for a detector, as shown and described.

DESCRIPTION

FIG. 1 is a perspective view of a detector showing my new design;

FIG. 2 is right side elevational view showing the design for the detector of FIG. 1;

FIG. 3 is a left side elevational view showing the design for the detector of FIG. 1;

FIG. 4 is a rear elevational view showing the design for the detector of FIG. 1;

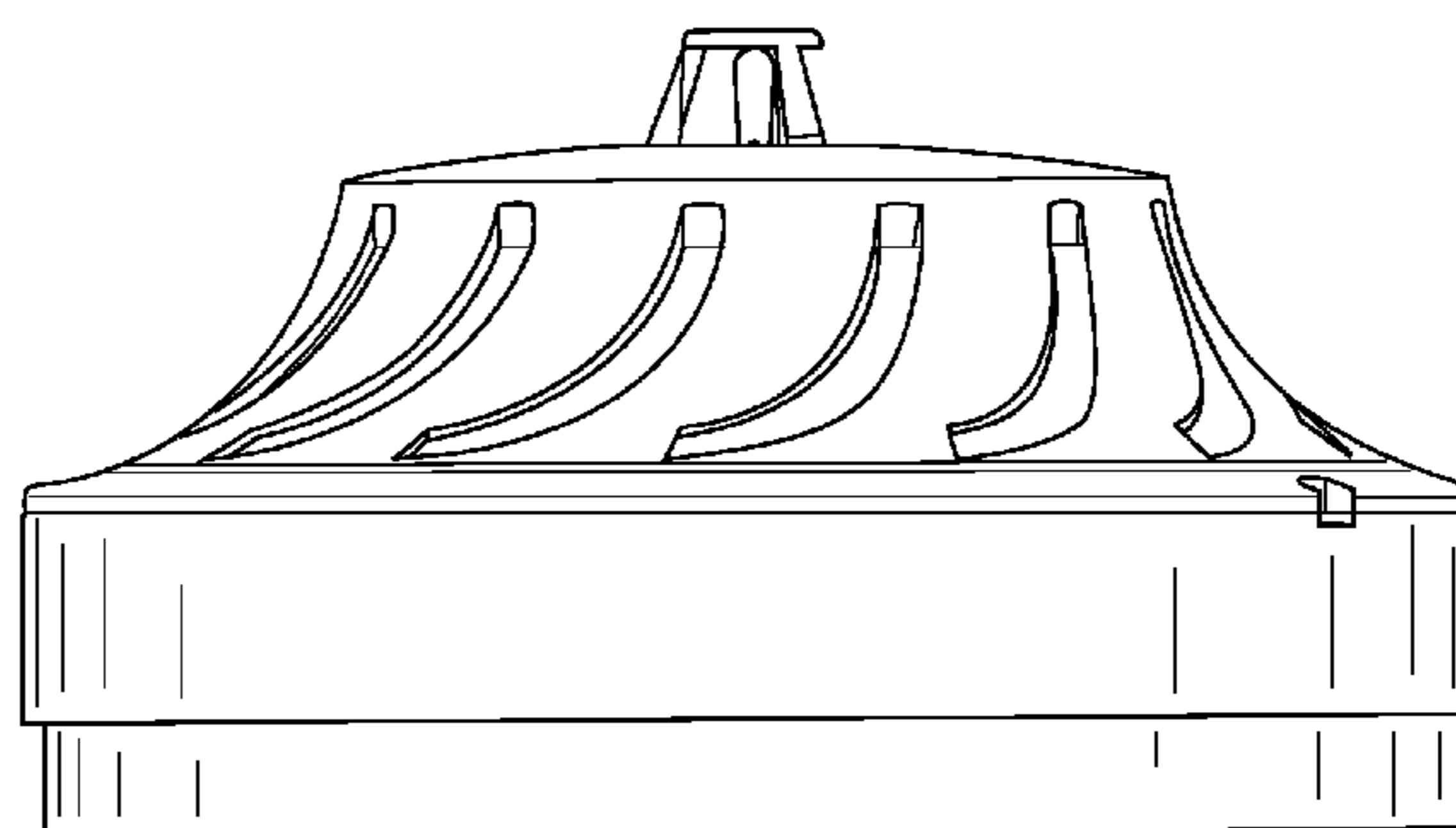
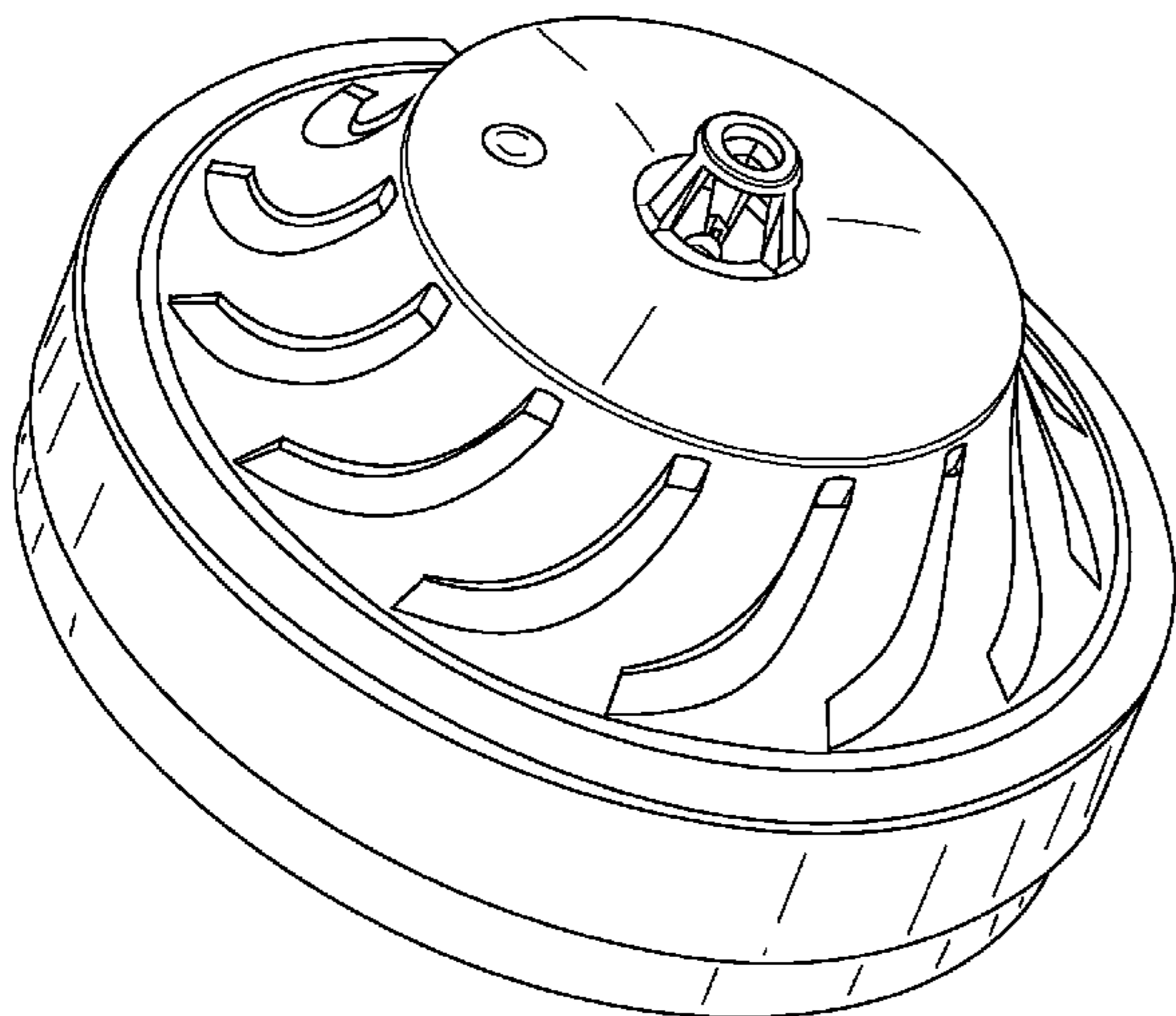
FIG. 5 is a front elevational view showing the design for the detector of FIG. 1;

FIG. 6 is a top elevational view showing the design for the detector of FIG. 1; and,

FIG. 7 is a bottom elevational view showing the design for the detector of FIG. 1.

The broken line showing of the bottom of the design inside of the peripheral boundary is included for the purpose of illustrating portions of the “article” and forms no part of the claimed design.

1 Claim, 7 Drawing Sheets



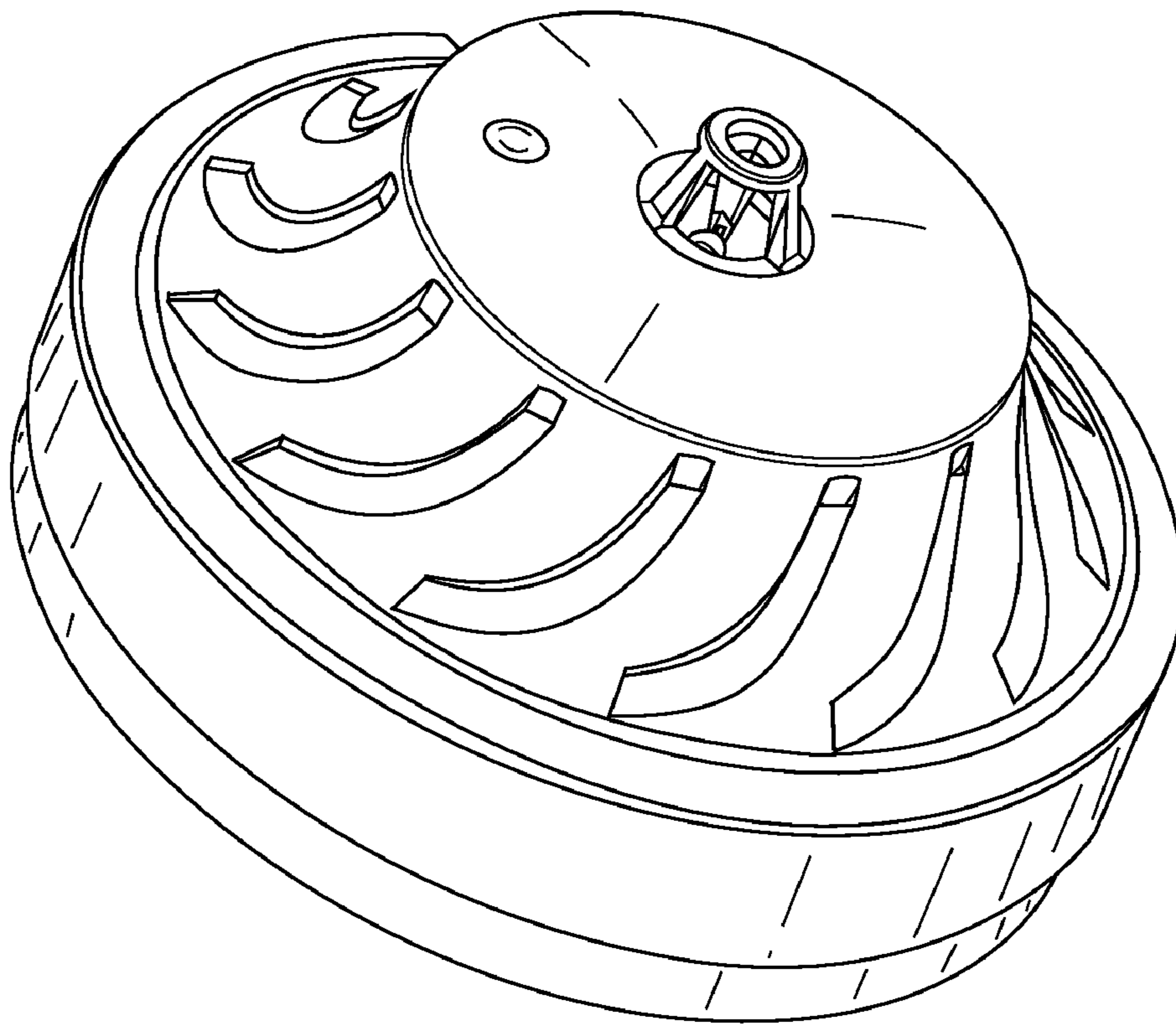


FIG. 1

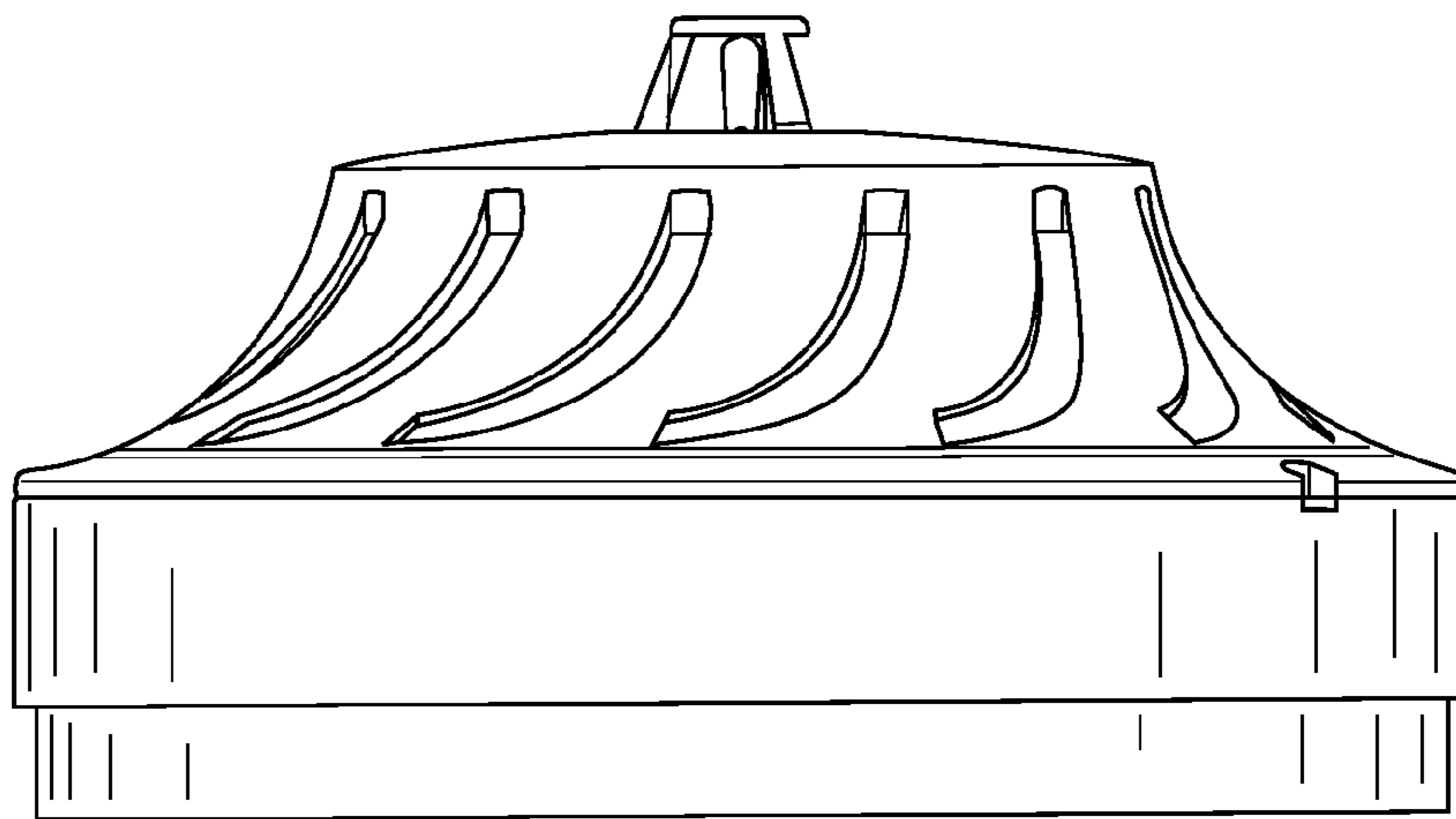


FIG. 2

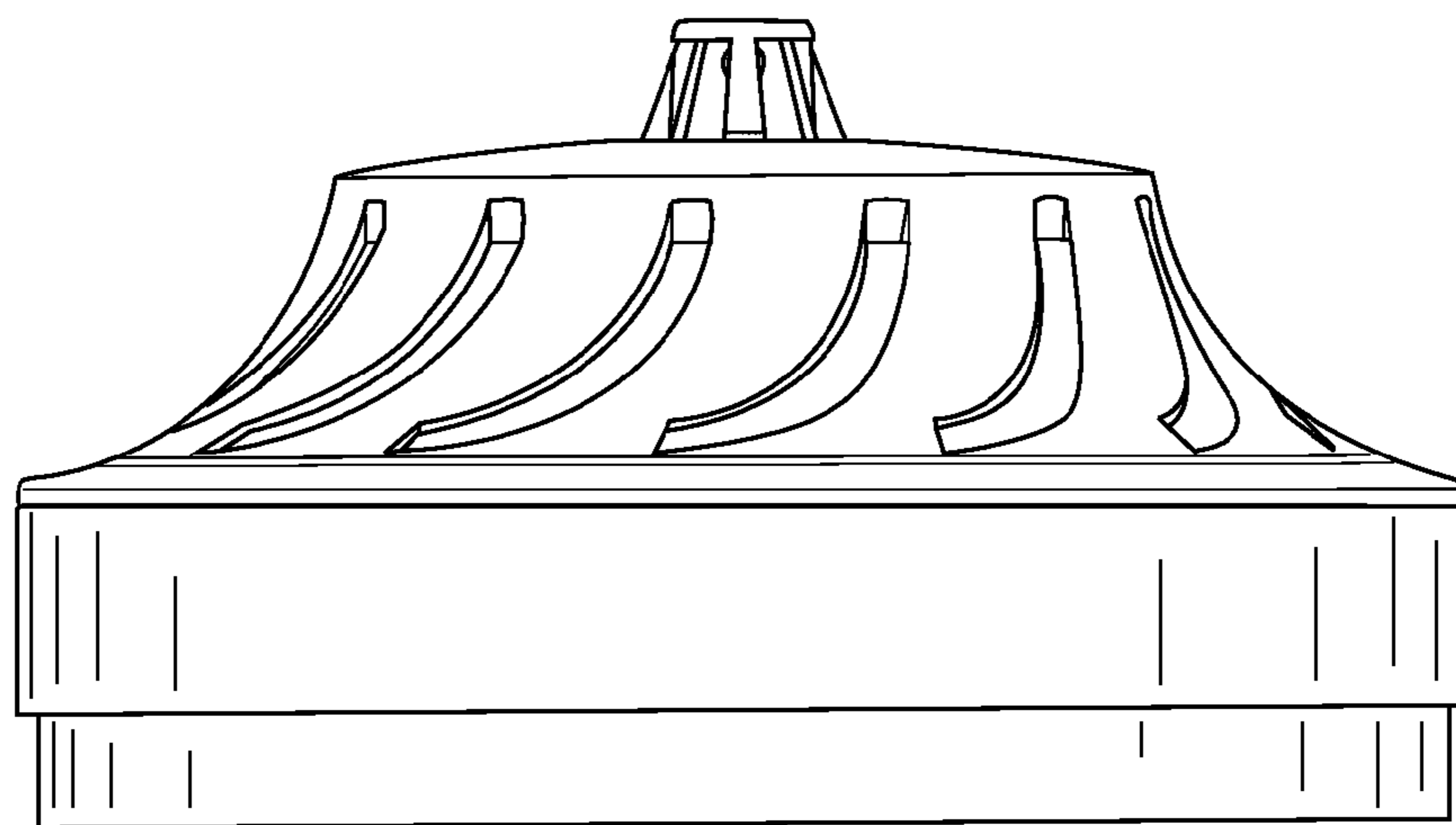


FIG. 3

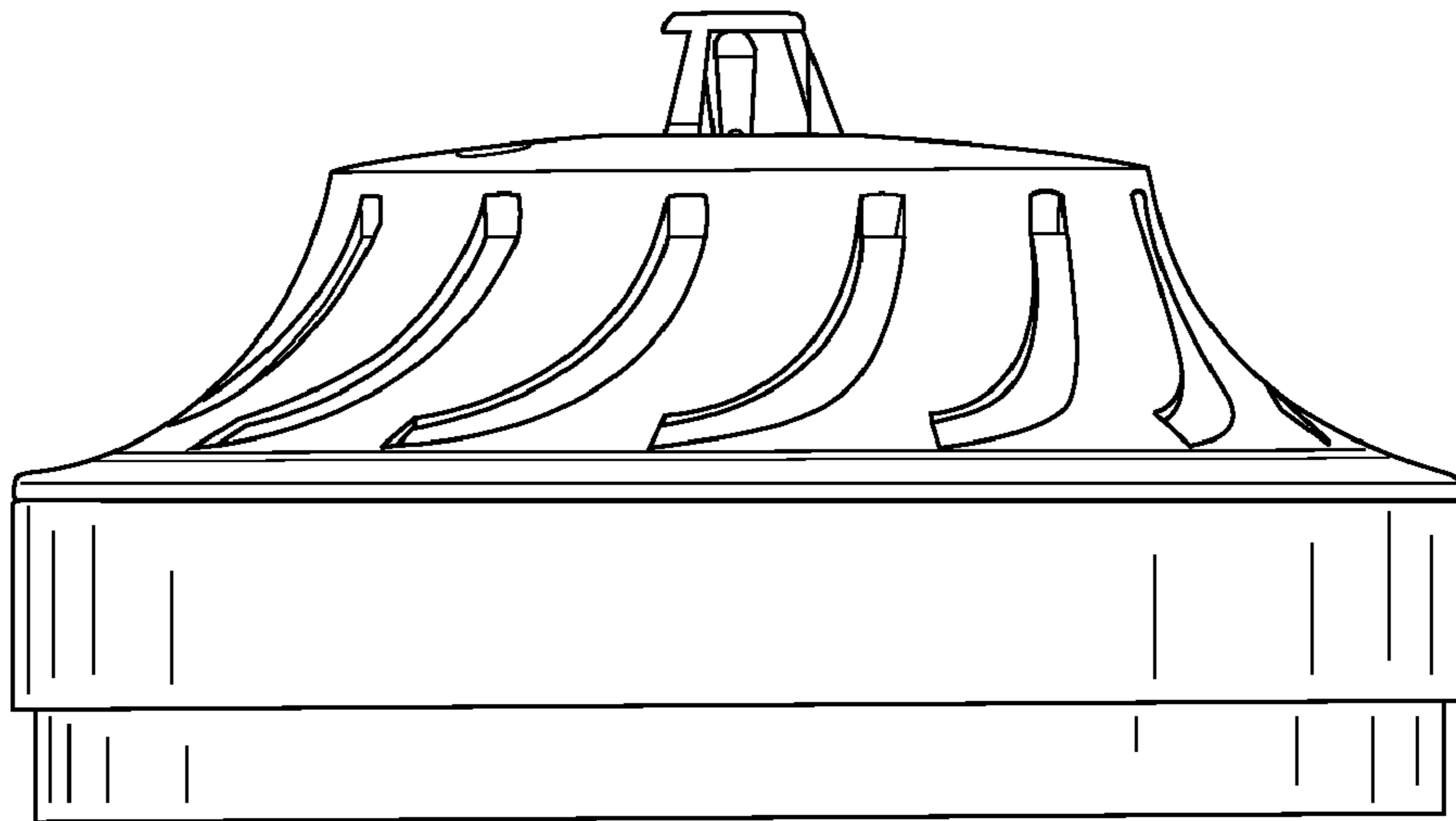


FIG. 4

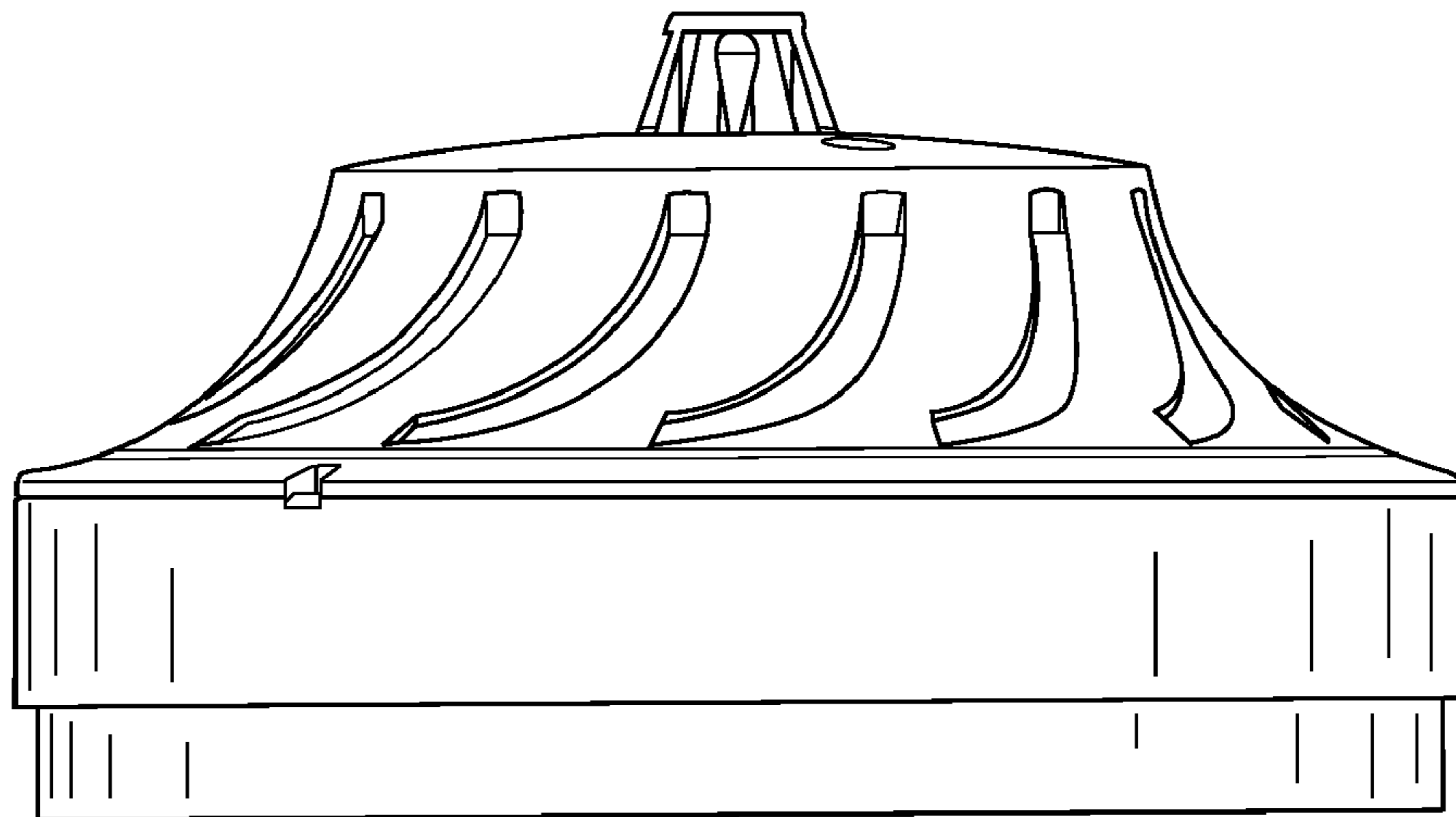


FIG. 5

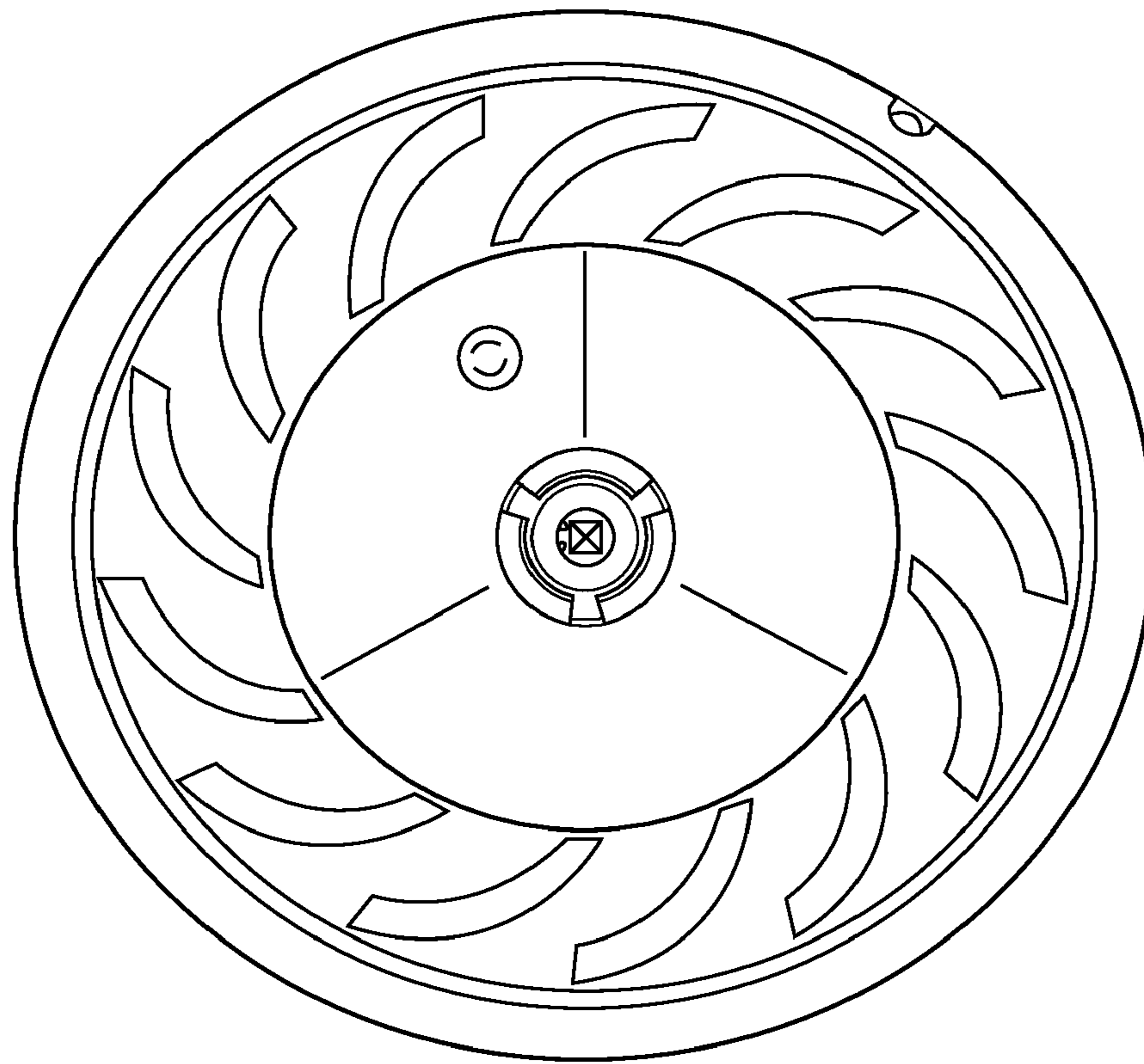


FIG. 6

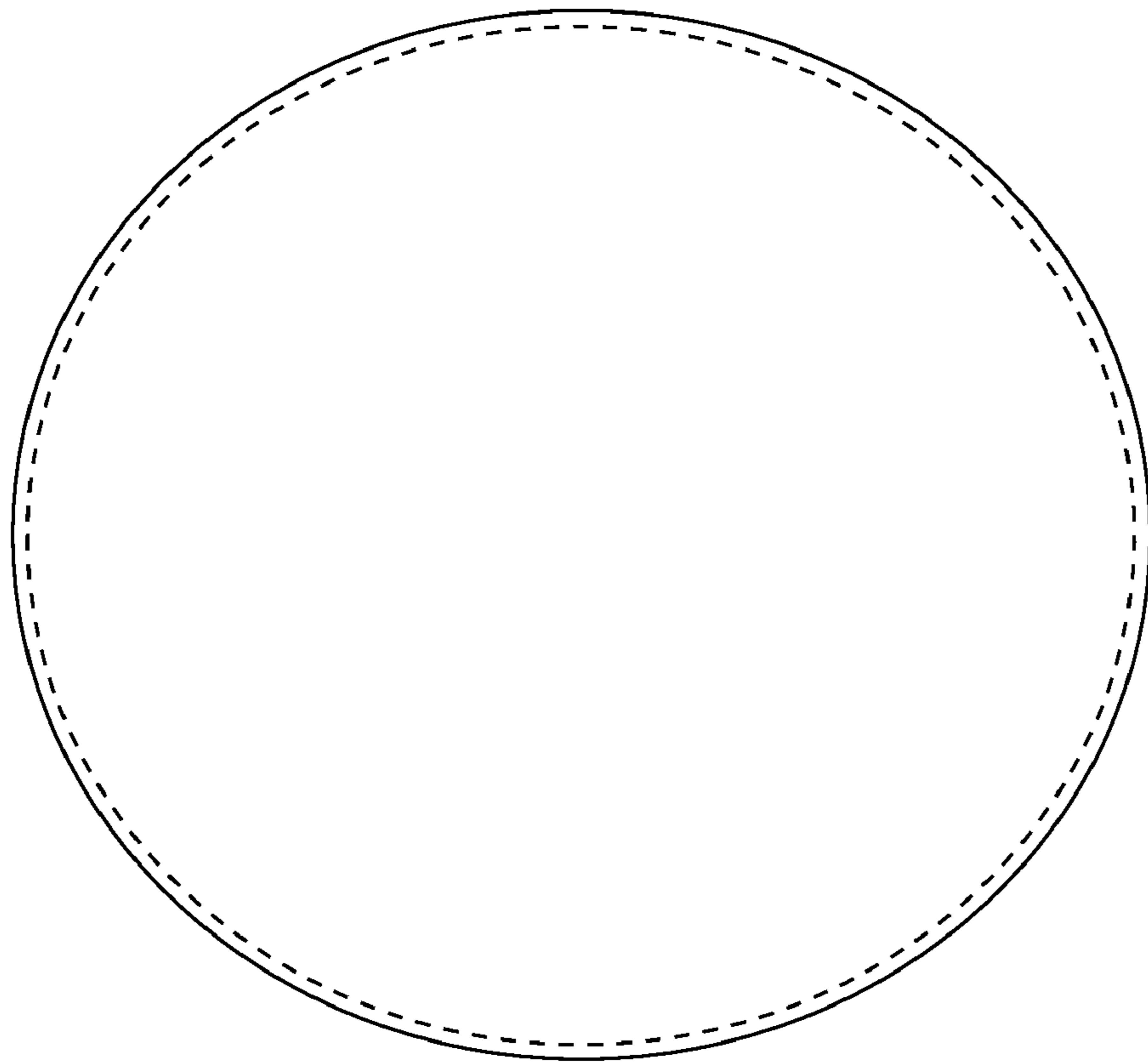


FIG. 7