



US00D665286S

(12) **United States Design Patent**  
**Christianson**

(10) **Patent No.:** **US D665,286 S**

(45) **Date of Patent:** **\*\* Aug. 14, 2012**

(54) **RESIDENTIAL WATER VOLUME METER  
MODULE**

(75) **Inventor:** **Tristan Christianson**, San Francisco,  
CA (US)

(73) **Assignee:** **AbsolutelyNew, Inc.**, San Francisco, CA  
(US)

(\*\*) **Term:** **14 Years**

(21) **Appl. No.:** **29/390,403**

(22) **Filed:** **Apr. 25, 2011**

(51) **LOC (9) Cl.** ..... **10-06**

(52) **U.S. Cl.** ..... **D10/96**

(58) **Field of Classification Search** ..... D10/96,  
D10/97, 99, 100, 101; 116/264, 276; 73/273,  
73/323, 861-861.41

See application file for complete search history.

(56) **References Cited**

U.S. PATENT DOCUMENTS

D282,448 S \* 2/1986 Hall ..... D10/96  
D315,526 S \* 3/1991 Esau ..... D10/96  
D342,033 S \* 12/1993 Mealer ..... D10/96

\* cited by examiner

*Primary Examiner* — Antoine D Davis

(74) *Attorney, Agent, or Firm* — Michael B. Indrajana

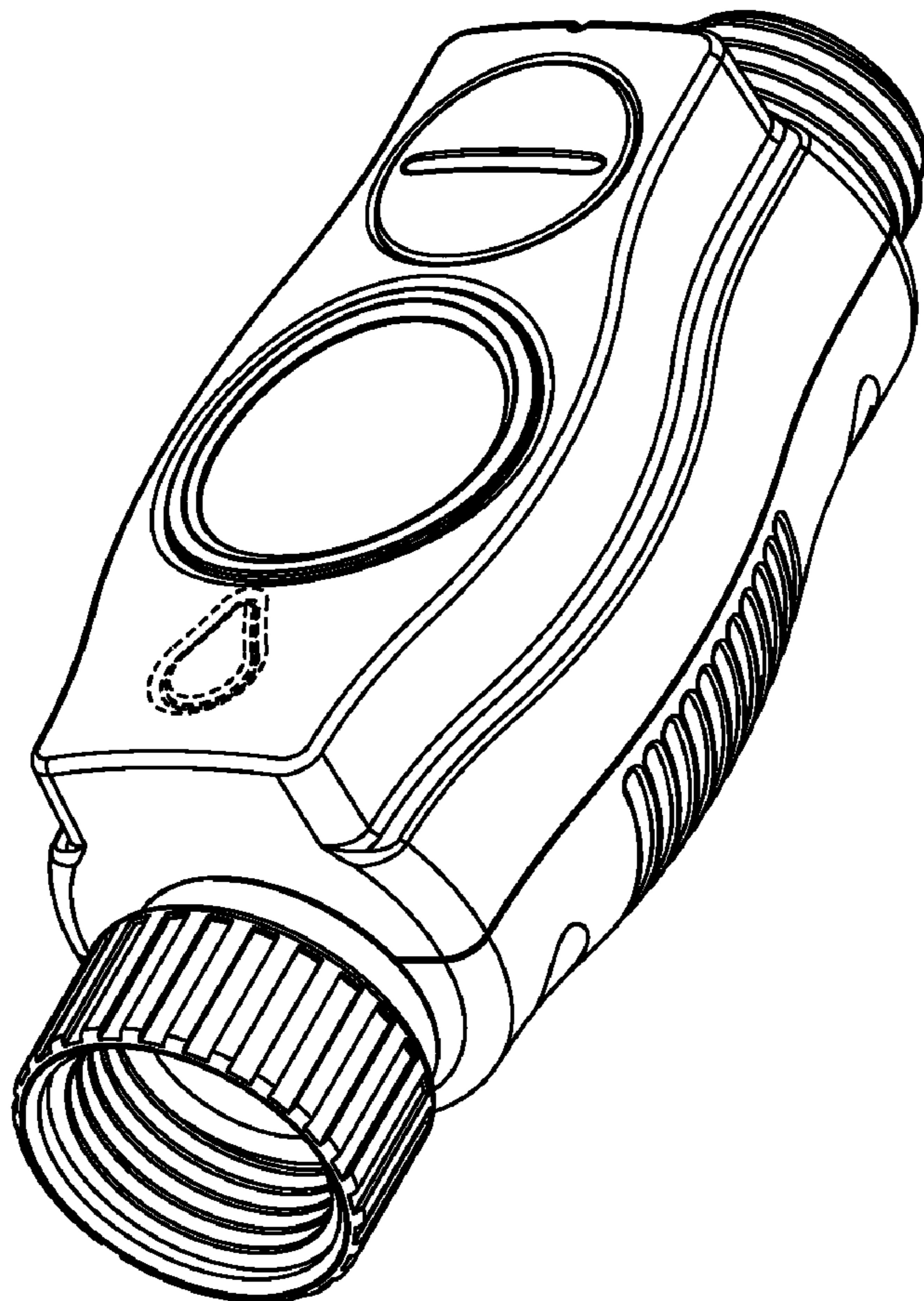
(57) **CLAIM**

The ornamental design for a residential water volume meter module, as shown and described.

**DESCRIPTION**

FIG. 1 is a front isometric view from above the module;  
FIG. 2 is a rear isometric view from below the module;  
FIG. 3 is a front elevation view of the module;  
FIG. 4 is a rear elevation view of the module;  
FIG. 5 is a right elevation view of the module;  
FIG. 6 is a left elevation view of the module;  
FIG. 7 is a top view of the module; and,  
FIG. 8 is a bottom view of the module.

**1 Claim, 8 Drawing Sheets**



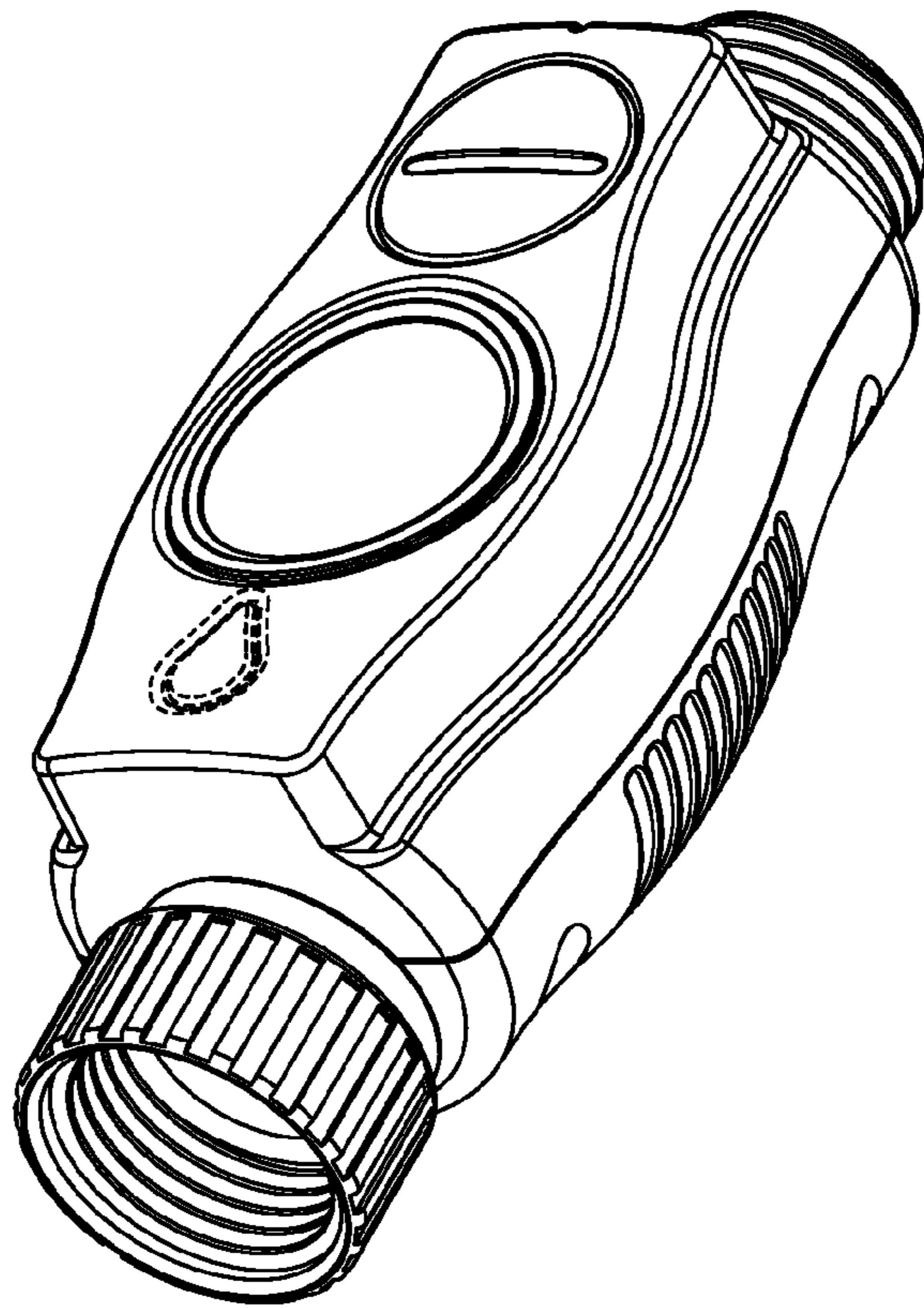


FIG. 1

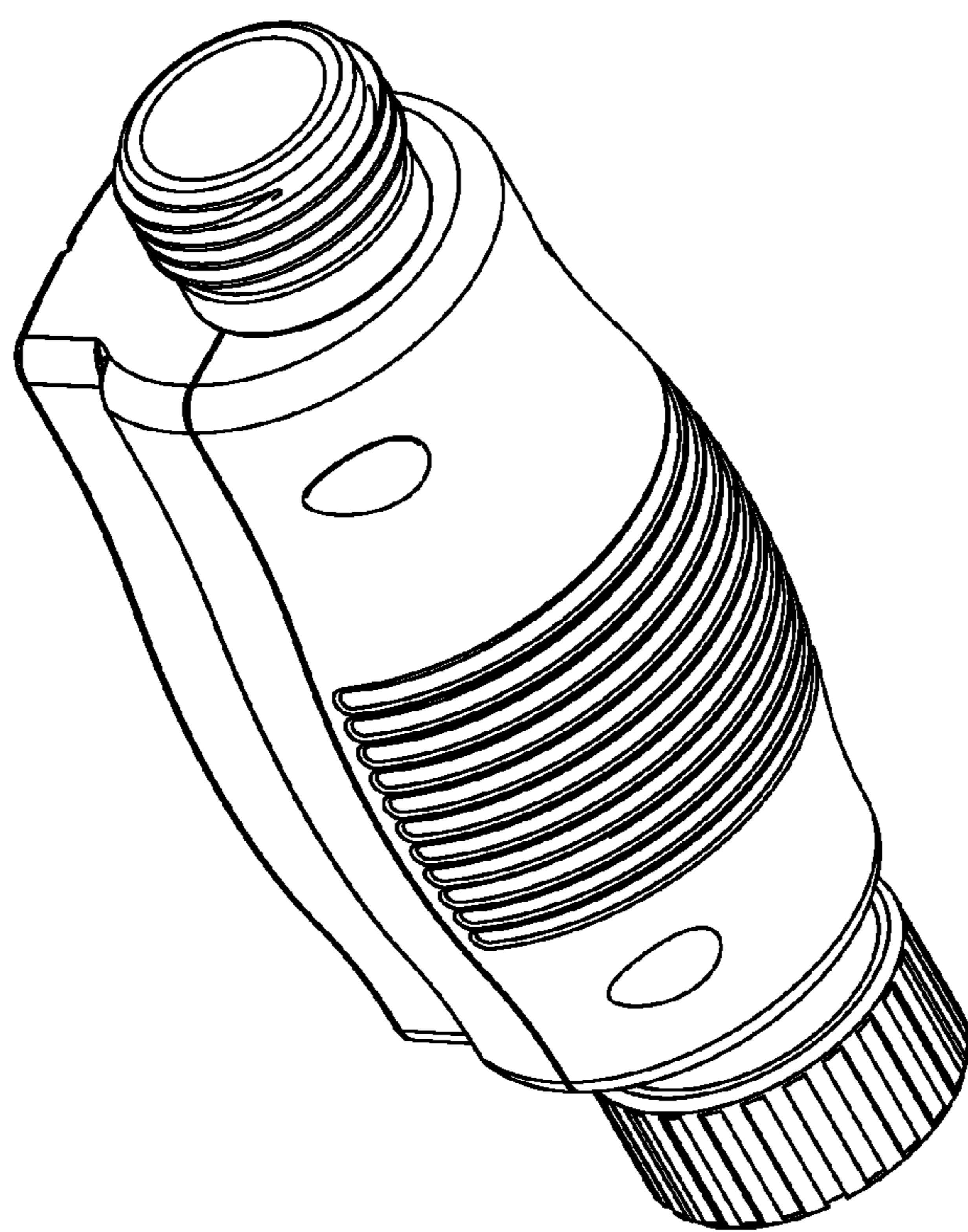


FIG. 2

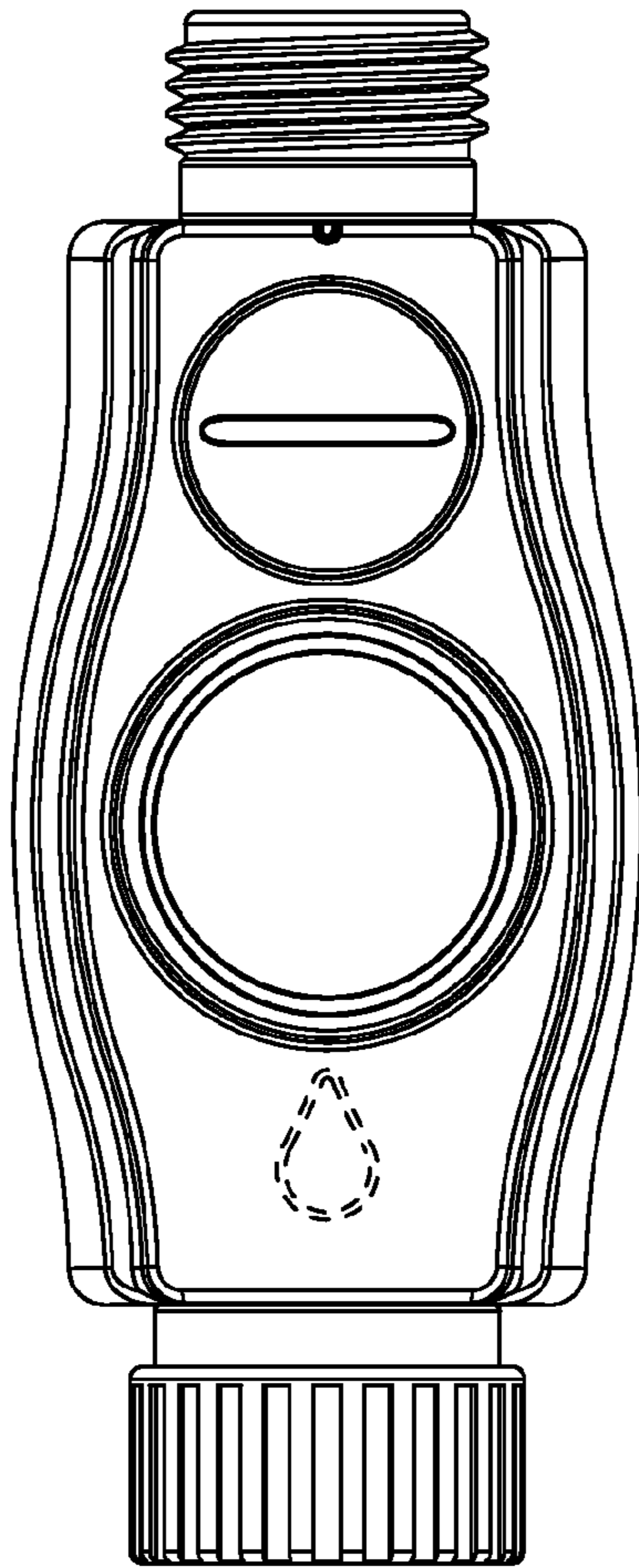


FIG. 3

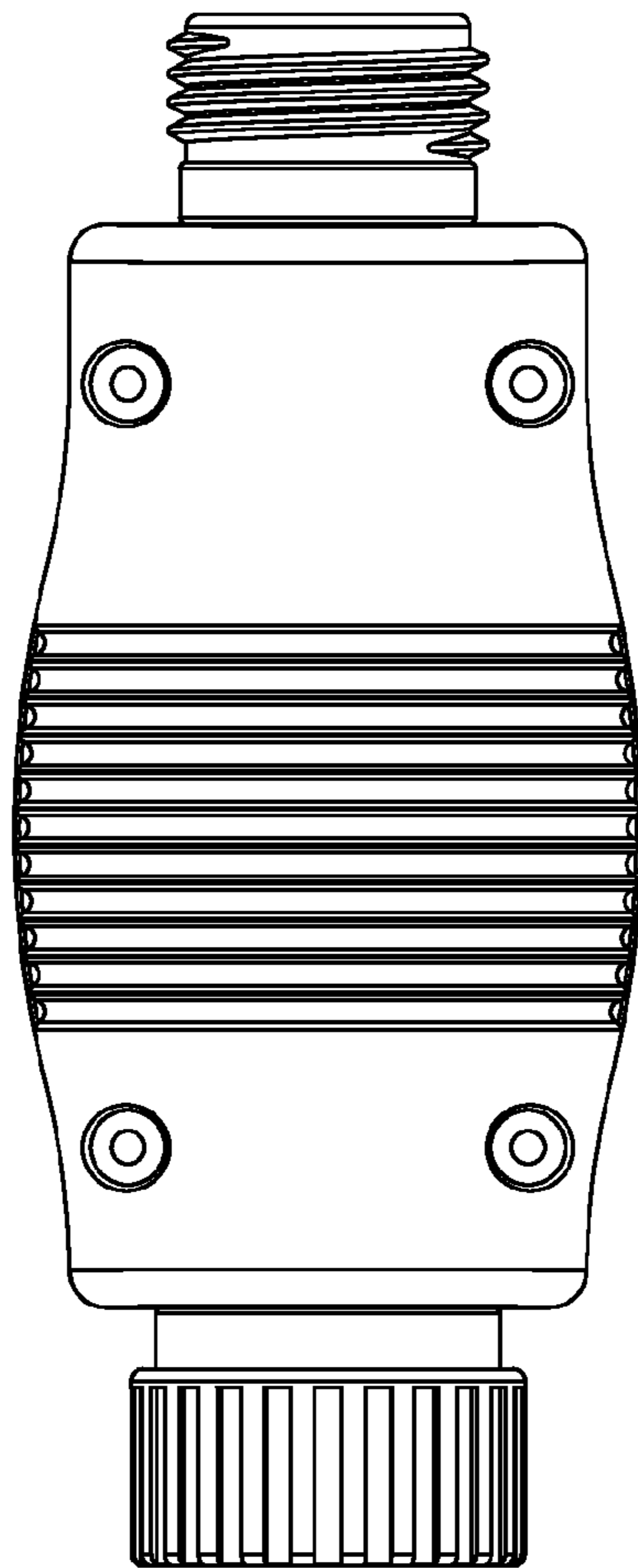


FIG. 4

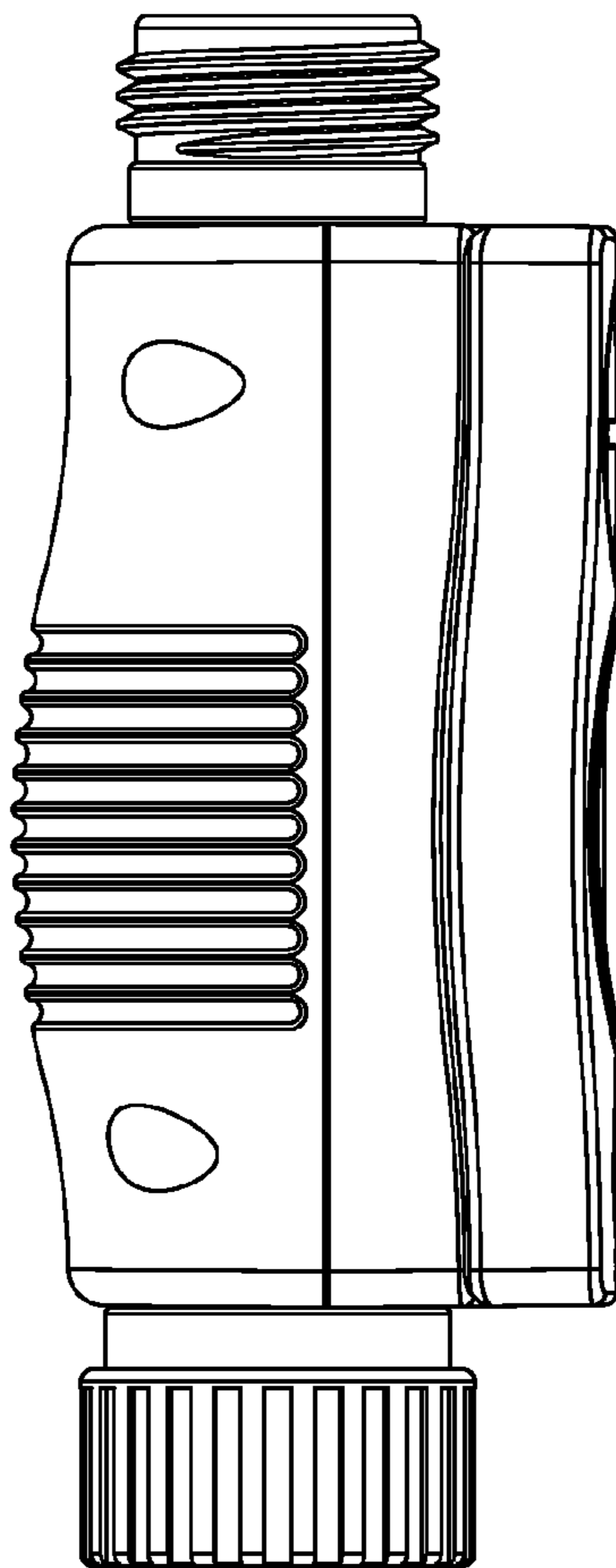


FIG. 5

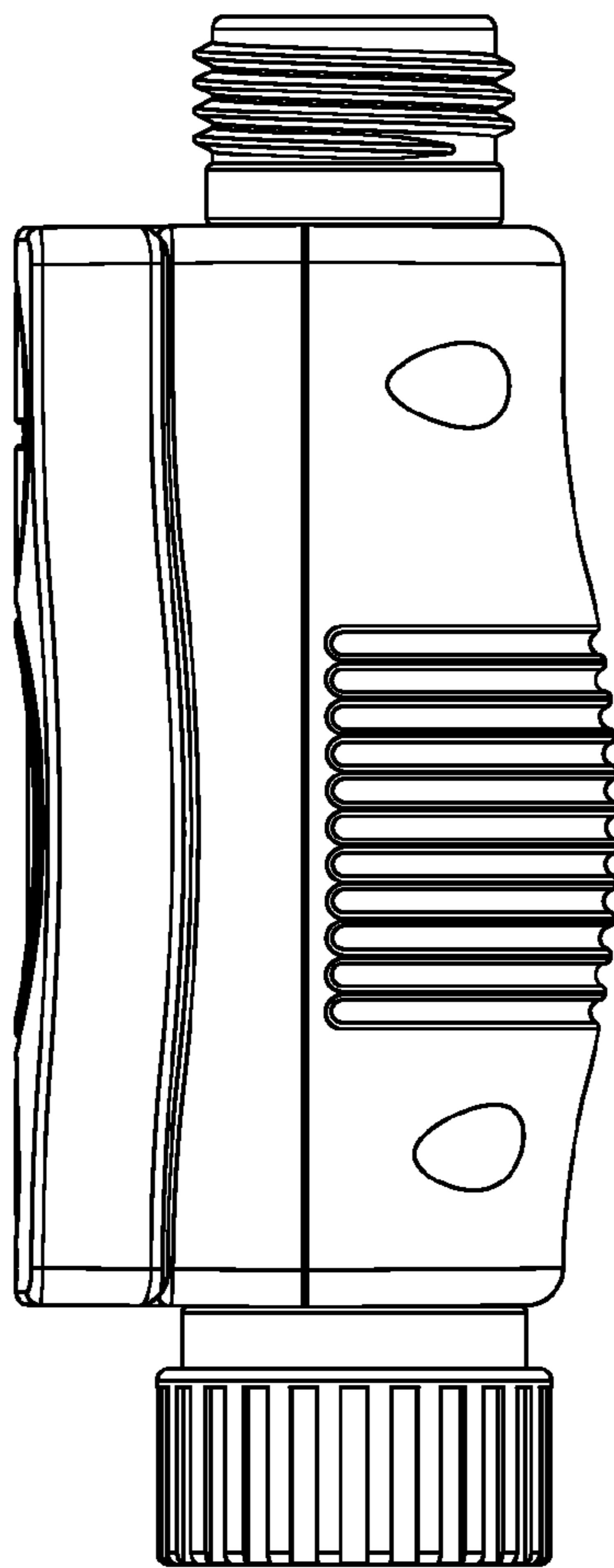


FIG. 6

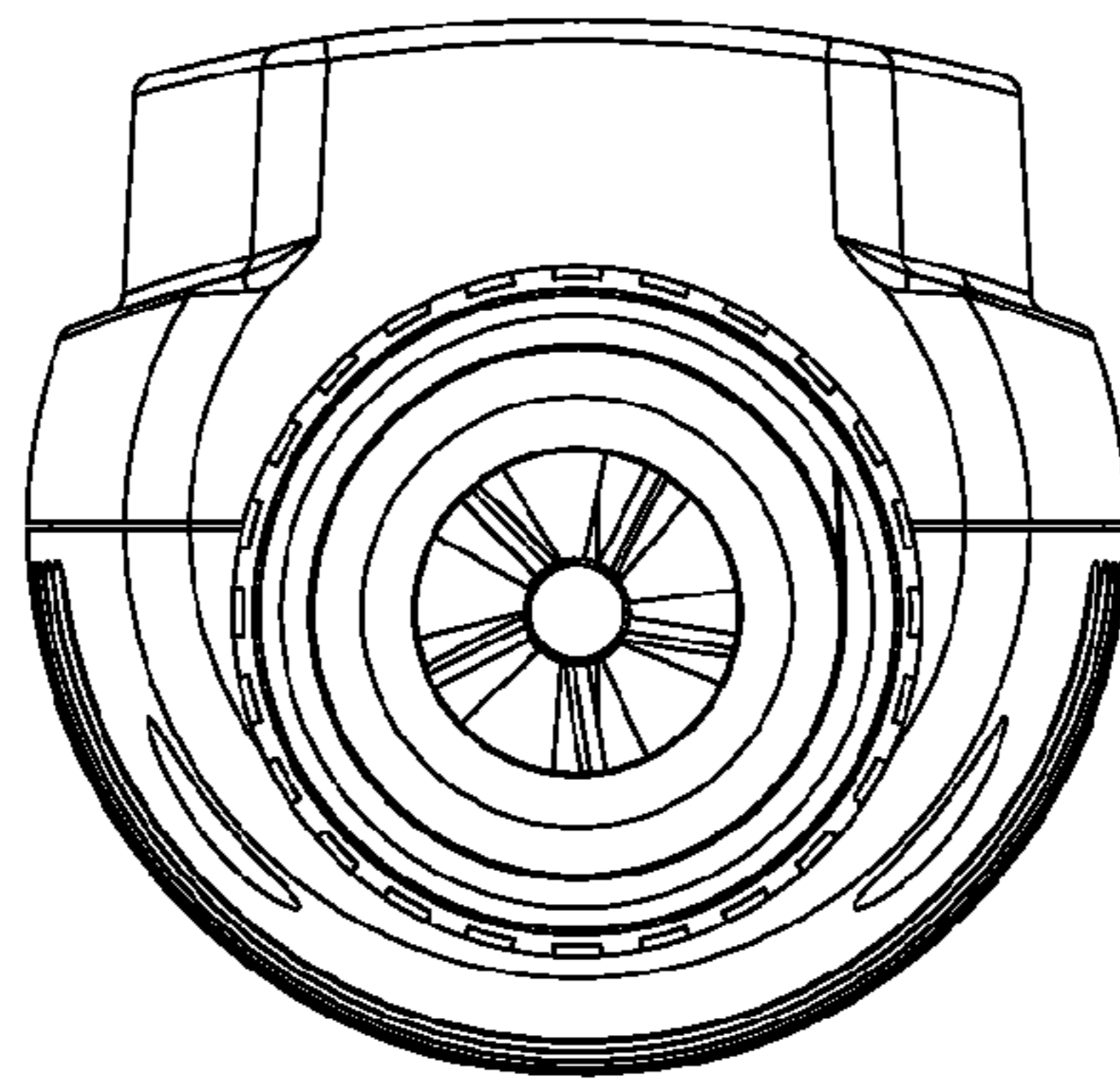


FIG. 7



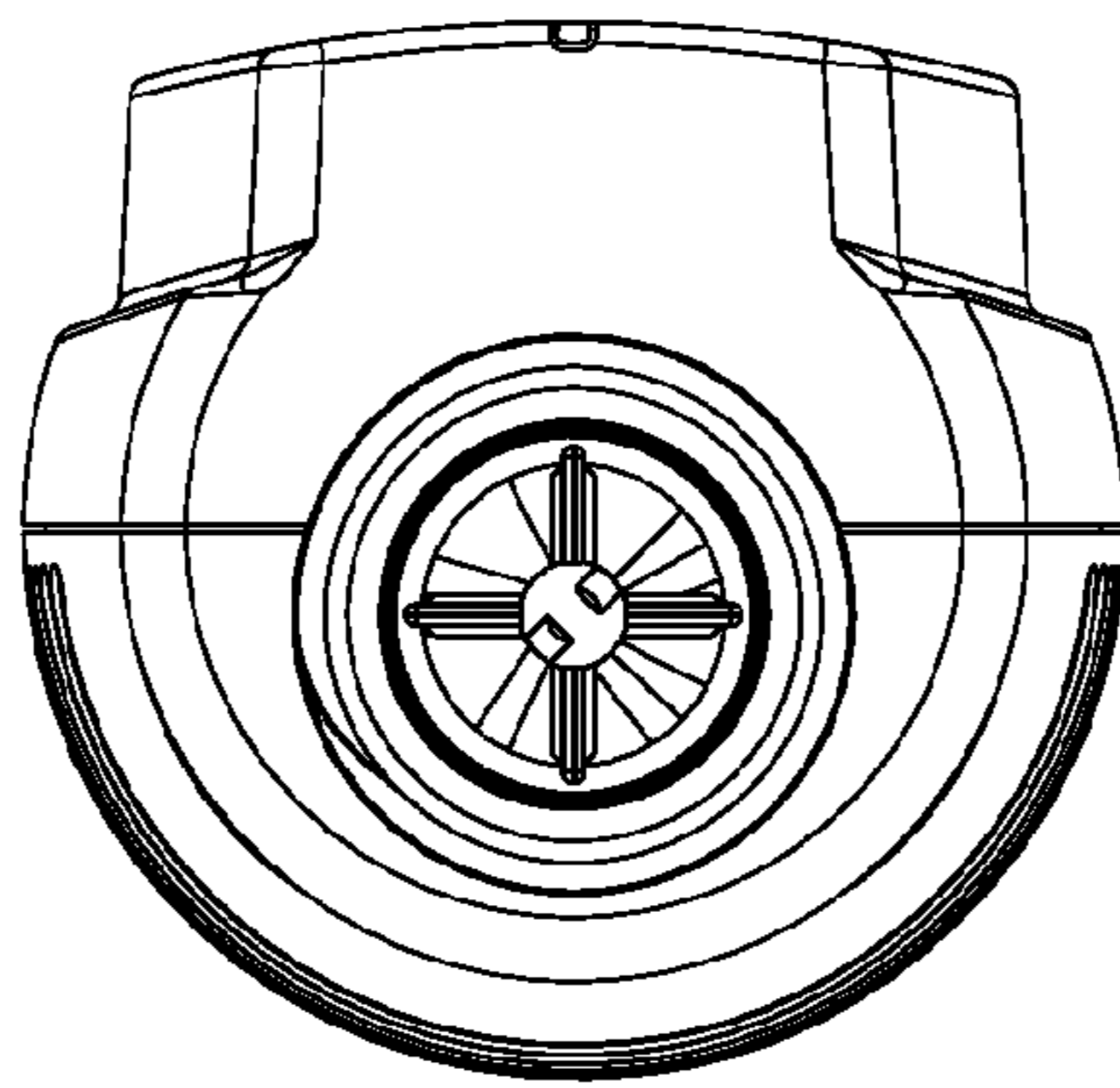


FIG. 8