

US00D665284S

(12) **United States Design Patent**
Nishimoto

(10) **Patent No.:** **US D665,284 S**

(45) **Date of Patent:** **** Aug. 14, 2012**

(54) **CARTRIDGE FOR AN ION DENSITY MEASURING INSTRUMENT**

U.S. Appl. No. 29/385,949, filed Feb. 23, 2011, Nishimoto.
U.S. Appl. No. 29/385,955, filed Feb. 23, 2011, Nishimoto.
Notice of Allowance of U.S. Appl. No. 29/385,944 dated Apr. 3, 2012.

(75) Inventor: **Hideaki Nishimoto**, Fukuoka (JP)

* cited by examiner

(73) Assignee: **Hitachi Chemical Company, Ltd.**, Tokyo (JP)

Primary Examiner — Antoine D Davis

(**) Term: **14 Years**

(74) *Attorney, Agent, or Firm* — Antonelli, Terry, Stout & Kraus, LLP.

(21) Appl. No.: **29/385,952**

(22) Filed: **Feb. 23, 2011**

(57) **CLAIM**

The ornamental design for a cartridge for an ion density measuring instrument, as shown.

(30) **Foreign Application Priority Data**

Aug. 23, 2010 (JP) D2010-020323

(51) **LOC (9) Cl.** **10-04**

(52) **U.S. Cl.** **D10/81**

(58) **Field of Classification Search** D10/81;
216/61; 257/396; 438/8, 14, 706, 714
See application file for complete search history.

DESCRIPTION

FIG. 1 is a front elevational view of a cartridge for an ion density measuring instrument showing my new design;
FIG. 2 is a rear elevational view thereof;
FIG. 3 is a top plan view thereof;
FIG. 4 is a bottom plan view thereof;
FIG. 5 is a right side elevational view thereof; and,
FIG. 6 is a left side elevational view thereof; and
FIG. 7 is a top, left and front side perspective view thereof;
and,
FIG. 8 is a bottom, right and front side perspective view thereof.

(56) **References Cited**

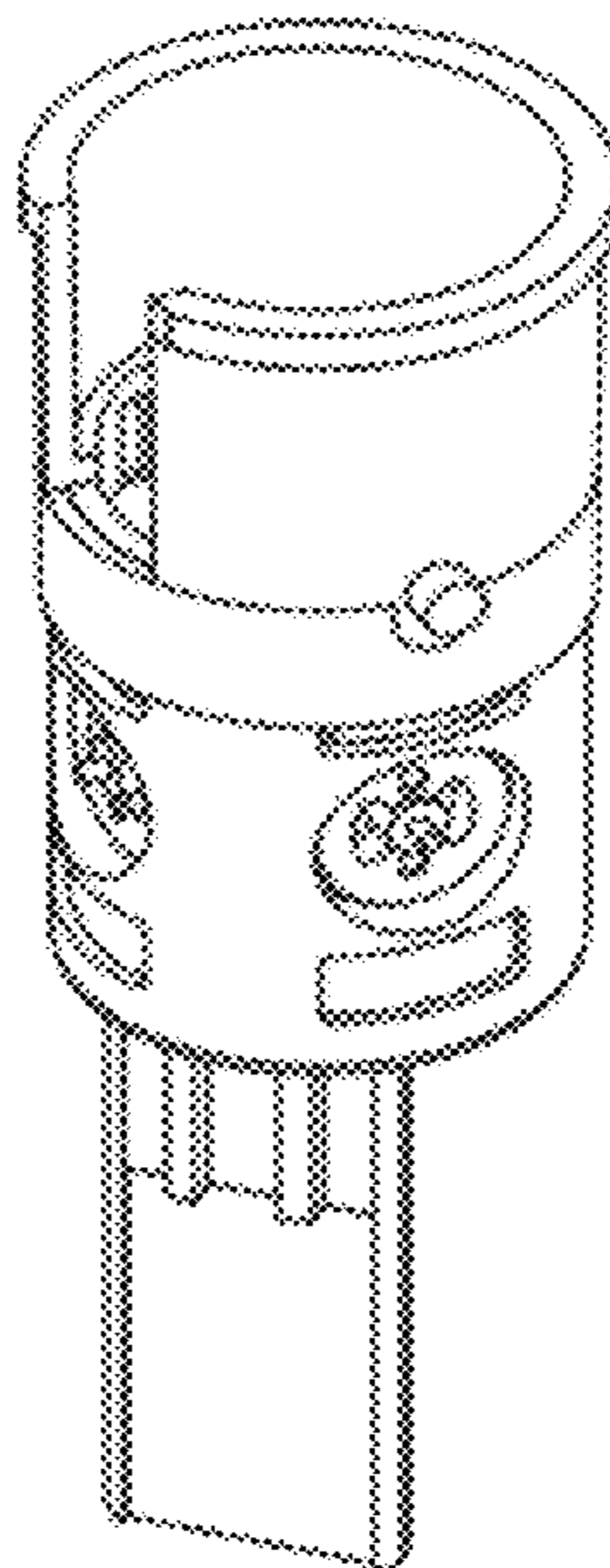
U.S. PATENT DOCUMENTS

6,656,752 B1 * 12/2003 Mise et al. 438/14
D522,145 S * 5/2006 Best et al. D10/81
D634,659 S * 3/2011 Kadota D10/81

OTHER PUBLICATIONS

U.S. Appl. No. 29/385,944, filed Feb. 23, 2011, Nishimoto.

1 Claim, 8 Drawing Sheets



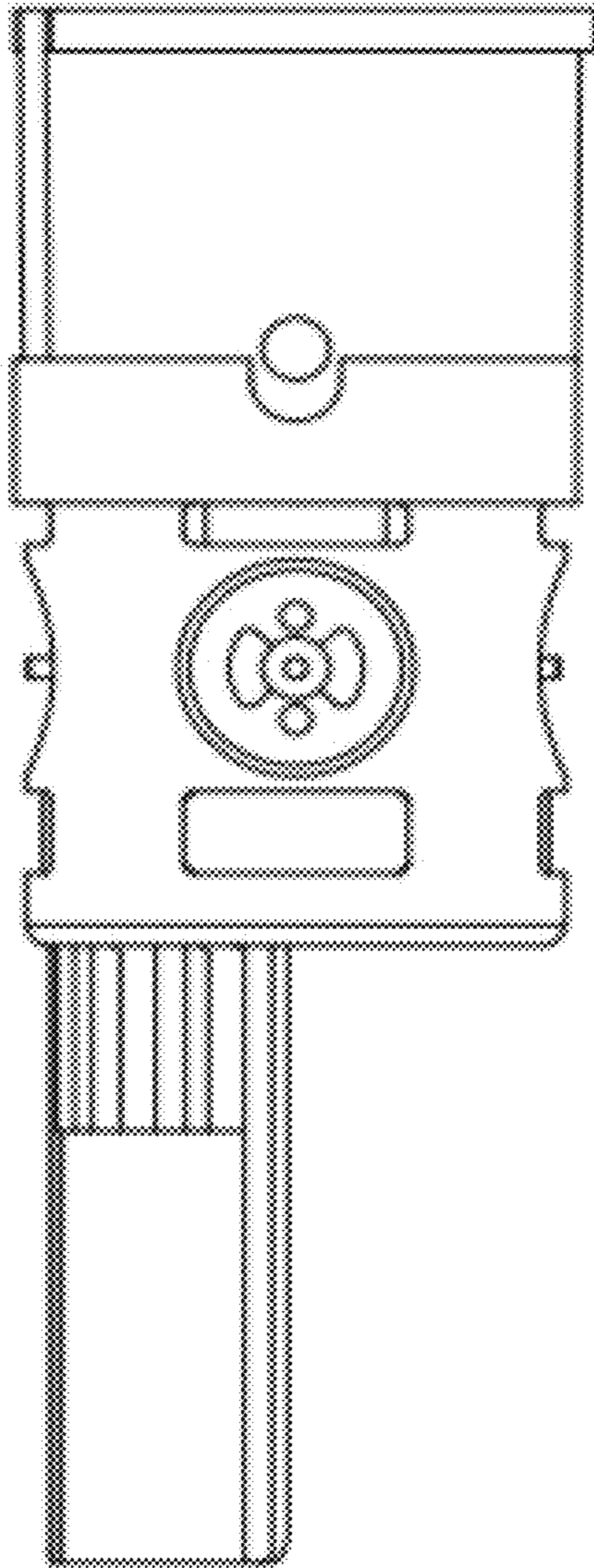


FIG. 1

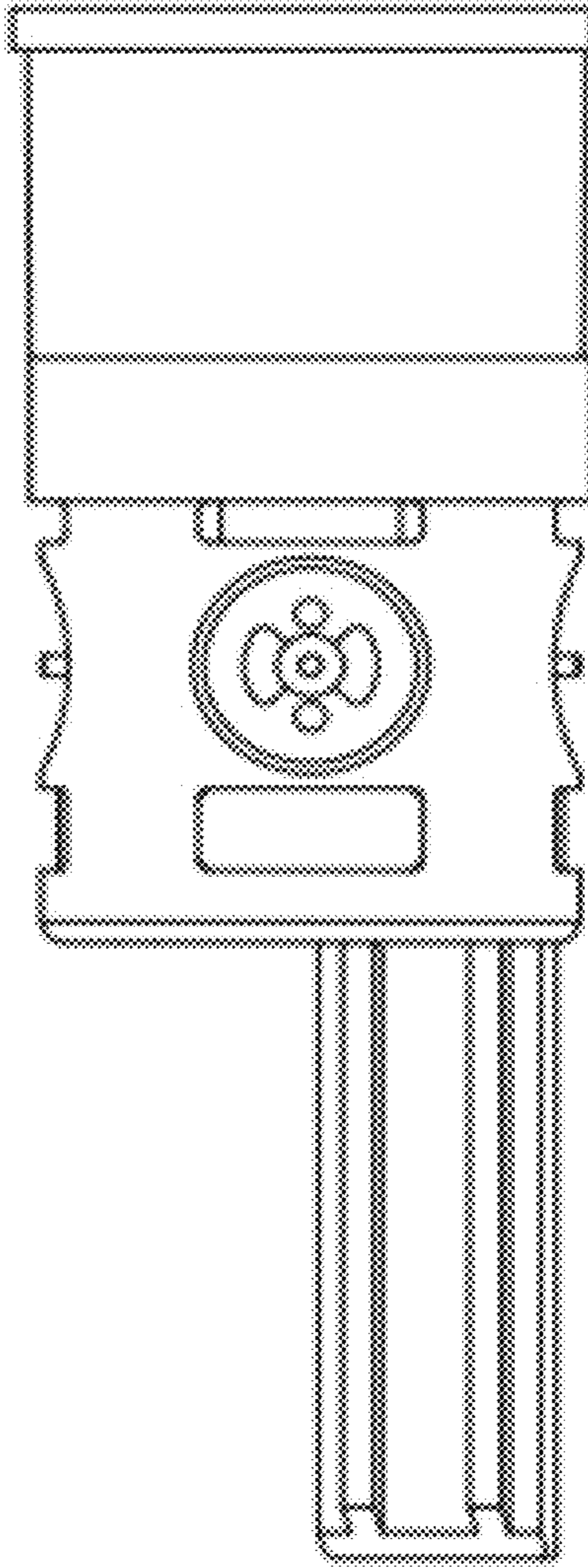


FIG. 2

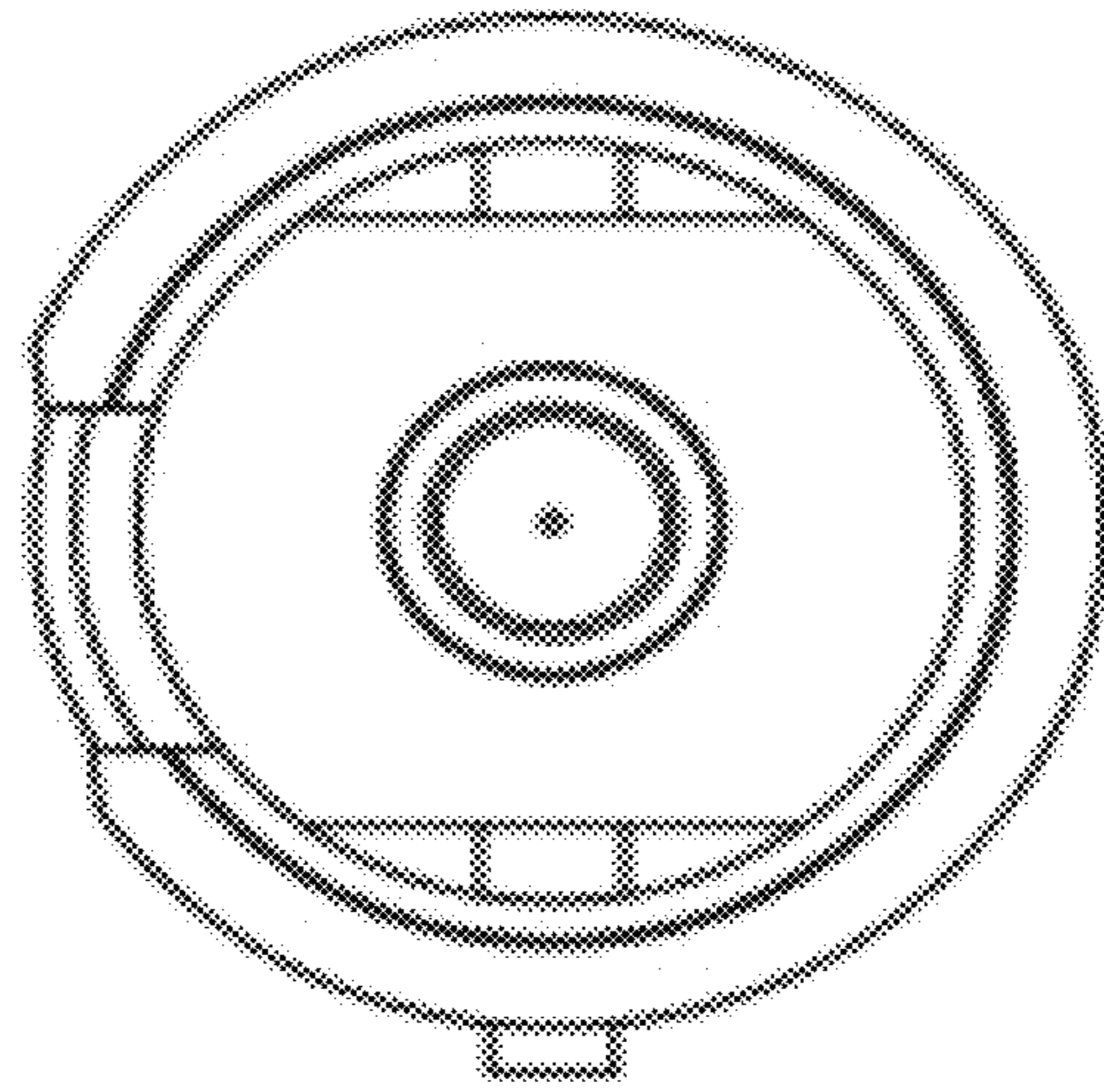


FIG. 3

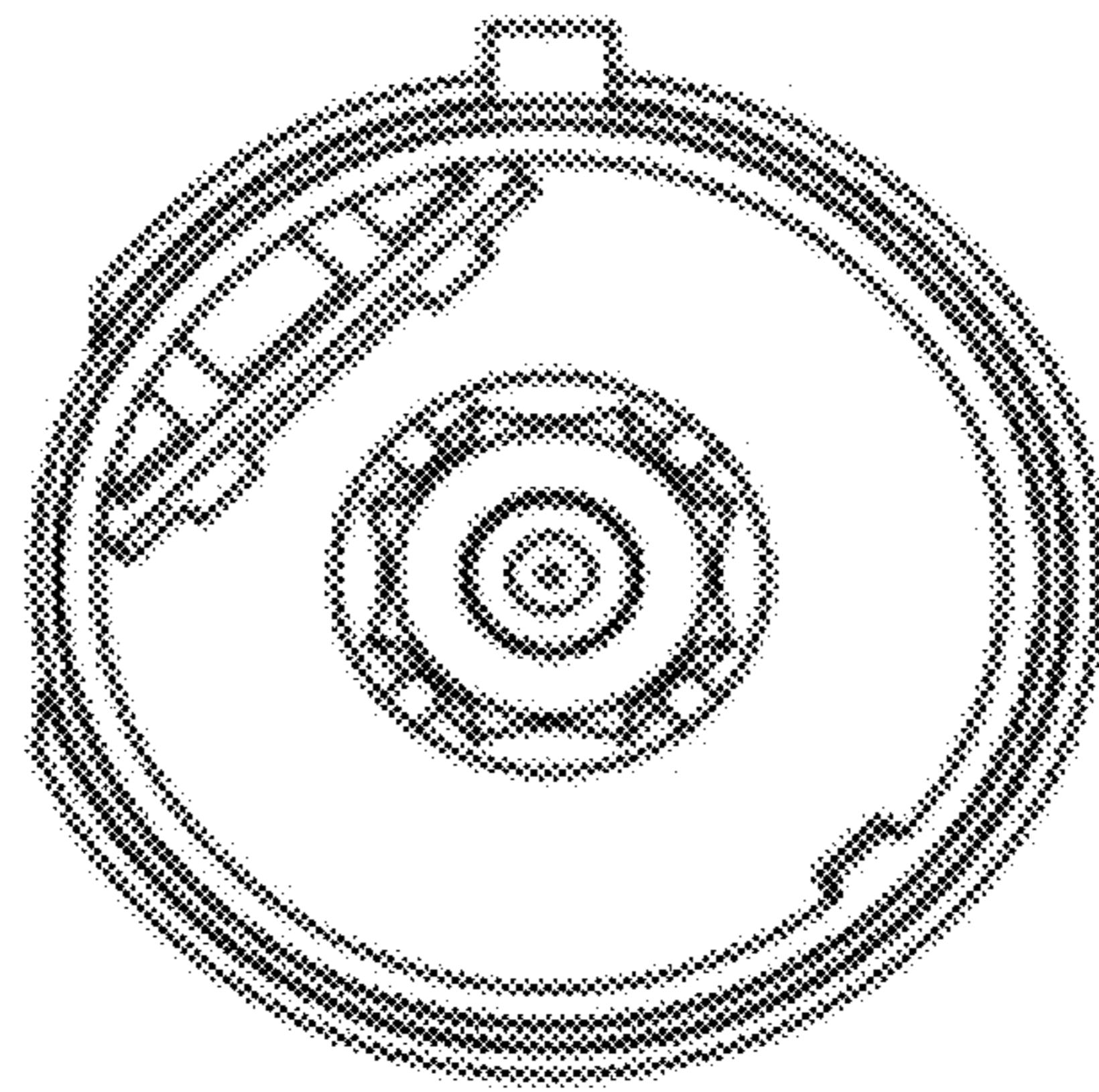


FIG. 4

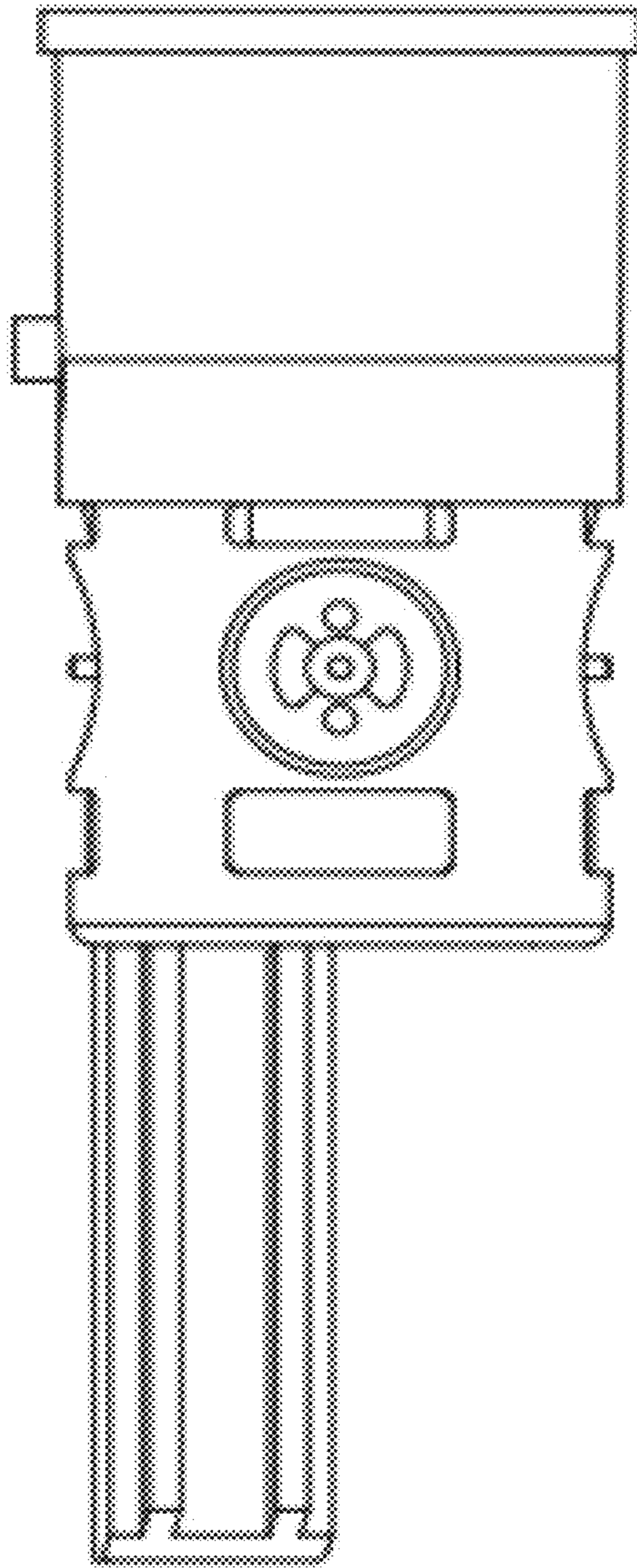


FIG. 5

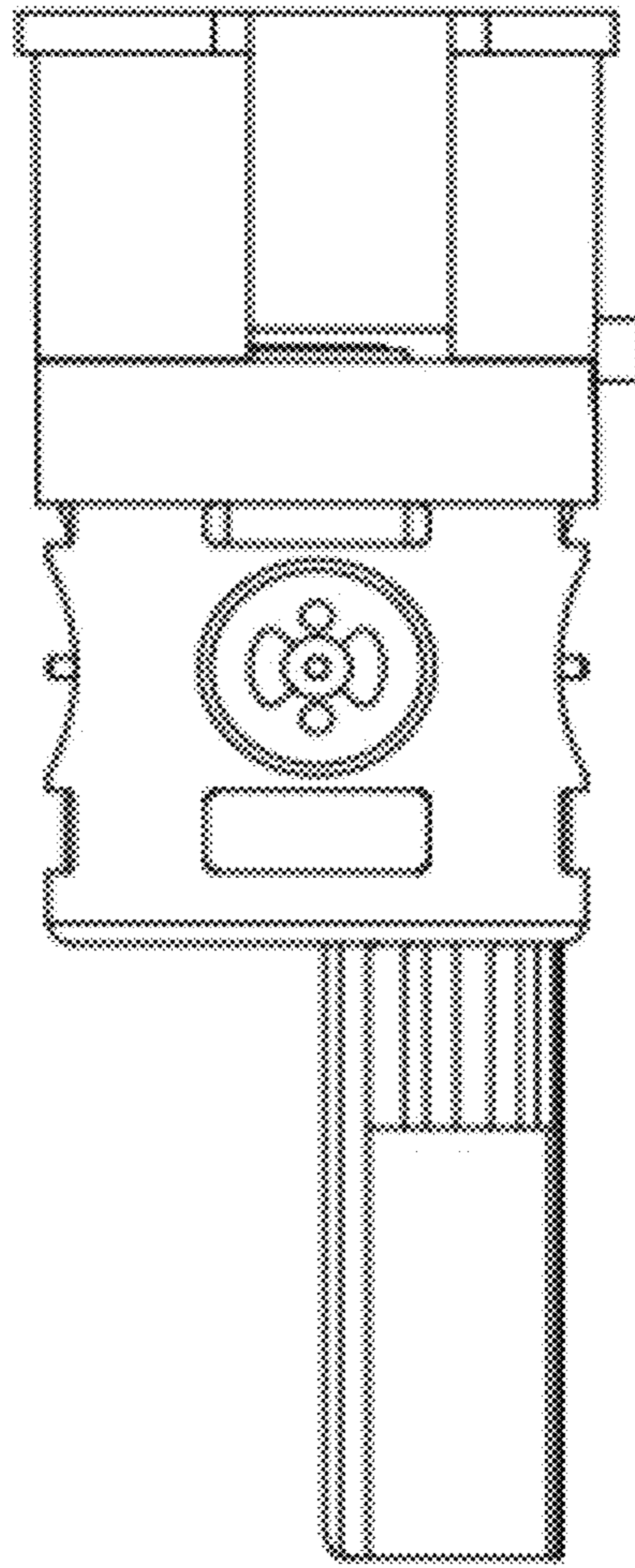


FIG. 6

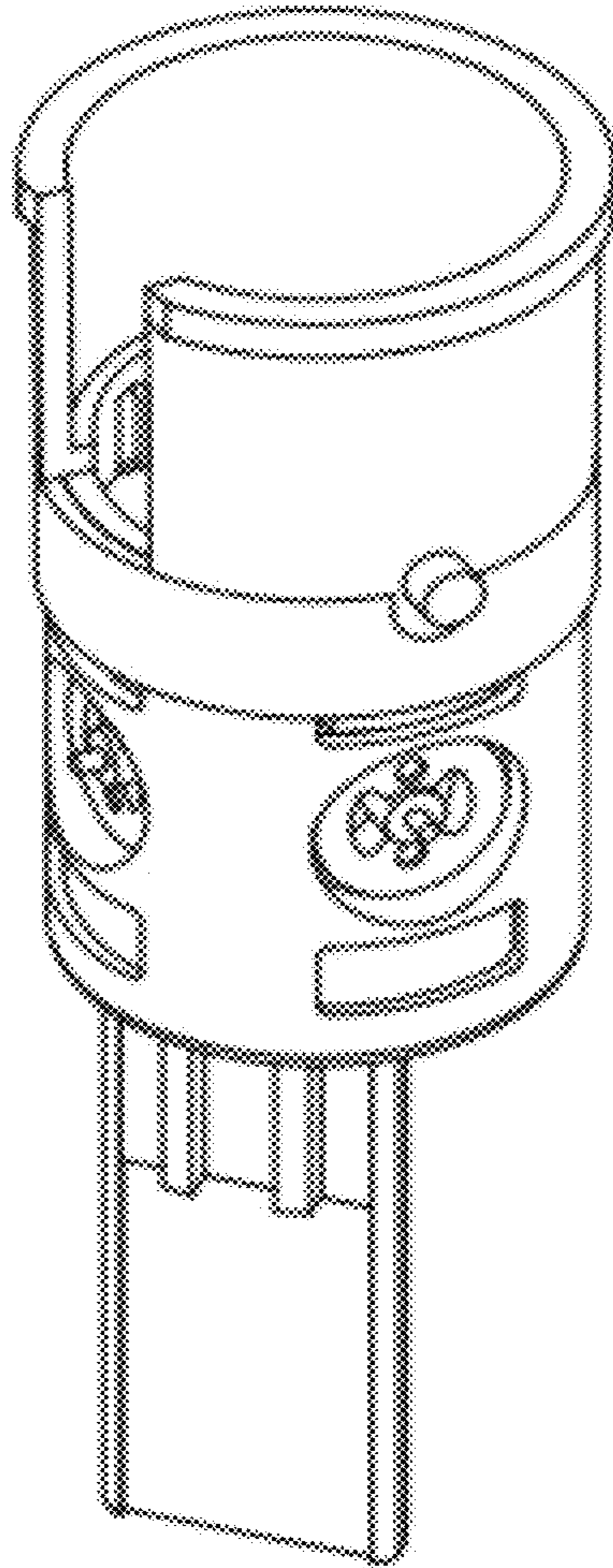


FIG. 7

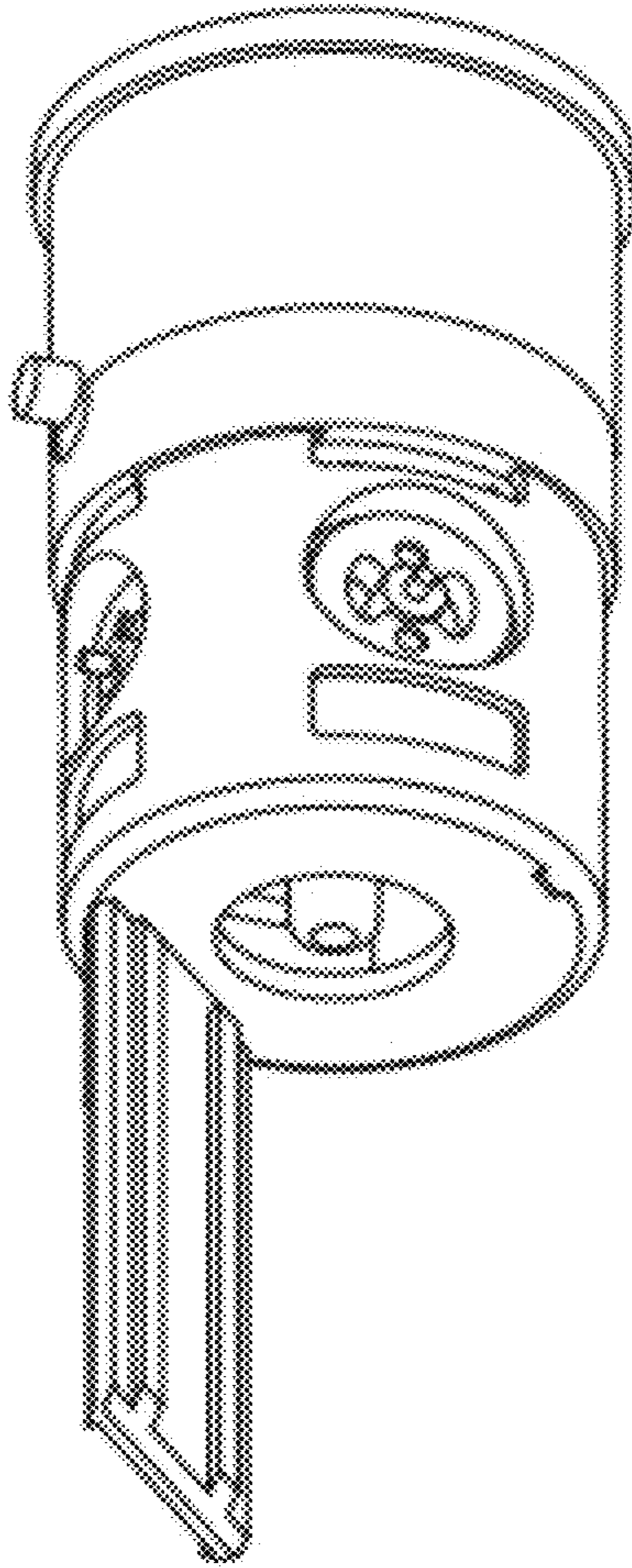


FIG. 8