

US00D665282S

(12) **United States Design Patent**  
**Worones**

(10) **Patent No.:** **US D665,282 S**

(45) **Date of Patent:** **\*\* Aug. 14, 2012**

(54) **CLAMP METER JAWS**

(74) *Attorney, Agent, or Firm* — Perkins Coie LLP

(75) Inventor: **Jeff Worones**, Seattle, WA (US)

(57) **CLAIM**

The ornamental design for a clamp meter jaws, as shown and described.

(73) Assignee: **Fluke Corporation**, Everett, WA (US)

(\*\*) Term: **14 Years**

**DESCRIPTION**

(21) Appl. No.: **29/382,283**

FIG. 1 is a front view of clamp meter jaws in a closed arrangement.

(22) Filed: **Dec. 30, 2010**

FIG. 2 is a back view thereof.

(51) **LOC (9) Cl.** ..... **10-04**

FIG. 3 is a right side view thereof.

(52) **U.S. Cl.** ..... **D10/80**

FIG. 4 is a left side view thereof.

(58) **Field of Classification Search** ..... D10/79,  
D10/80; 324/72.5, 556, 133, 149, 503, 543,  
324/555, 66, 72, 754, 115, 141, 116; 340/635,  
340/687

FIG. 5 is a top view thereof.

FIG. 6 is a bottom view thereof.

FIG. 7 is a first perspective view thereof.

FIG. 8 is a second perspective view thereof.

See application file for complete search history.

FIG. 9 is a front view of clamp meter jaws in an open arrangement.

FIG. 10 is a back view thereof.

FIG. 11 is a right side view thereof.

FIG. 12 is a left side view thereof.

FIG. 13 is a top view thereof.

FIG. 14 is a bottom view thereof;

FIG. 15 is a first perspective view thereof; and,

FIG. 16 is a second perspective view thereof.

The broken lines form no part of the claimed design.

(56) **References Cited**

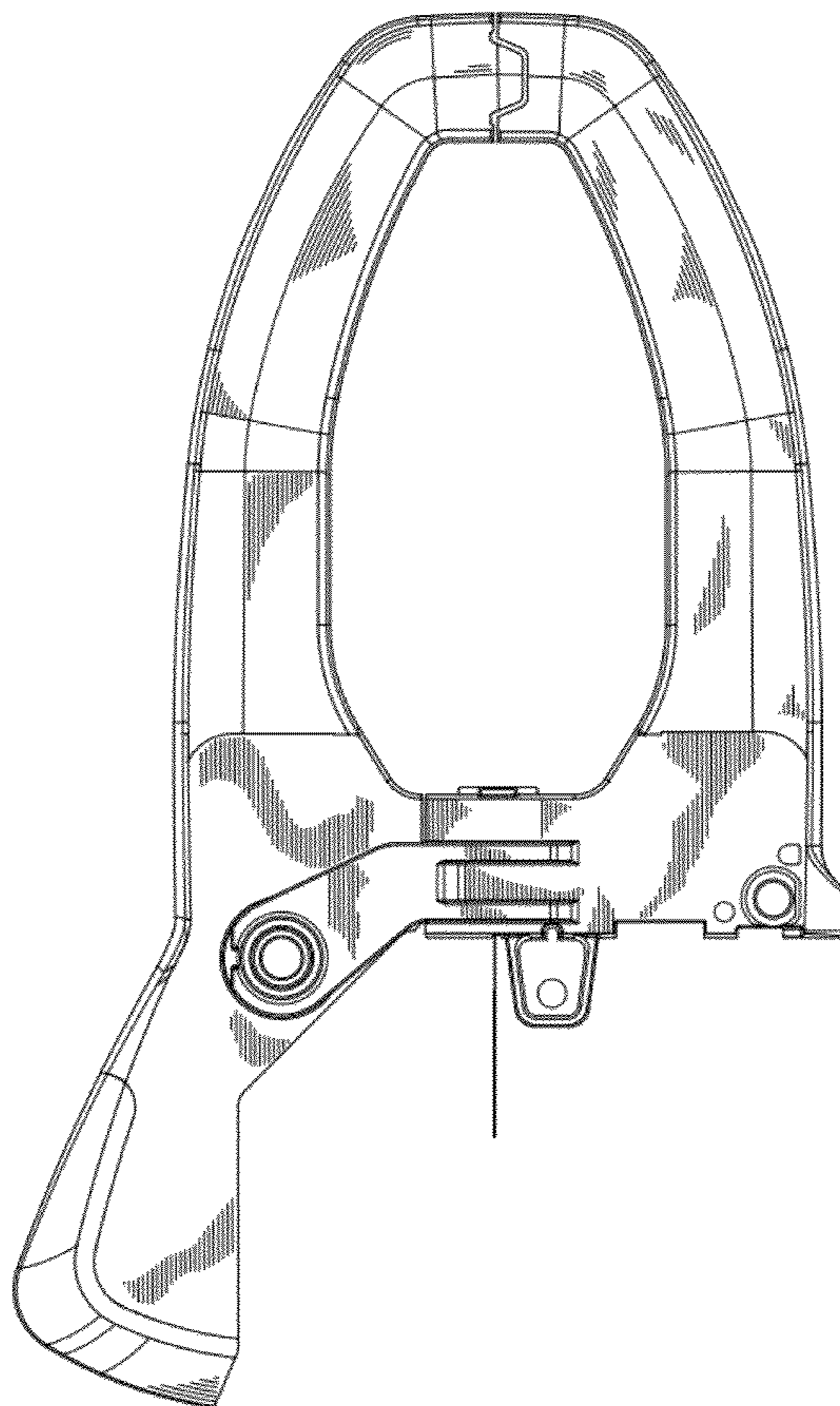
U.S. PATENT DOCUMENTS

- D359,006 S \* 6/1995 McCain et al. .... D10/79
- D636,689 S \* 4/2011 Laurino et al. .... D10/79
- D640,152 S \* 6/2011 Laurino et al. .... D10/79

\* cited by examiner

*Primary Examiner* — Antoine D Davis

**1 Claim, 12 Drawing Sheets**



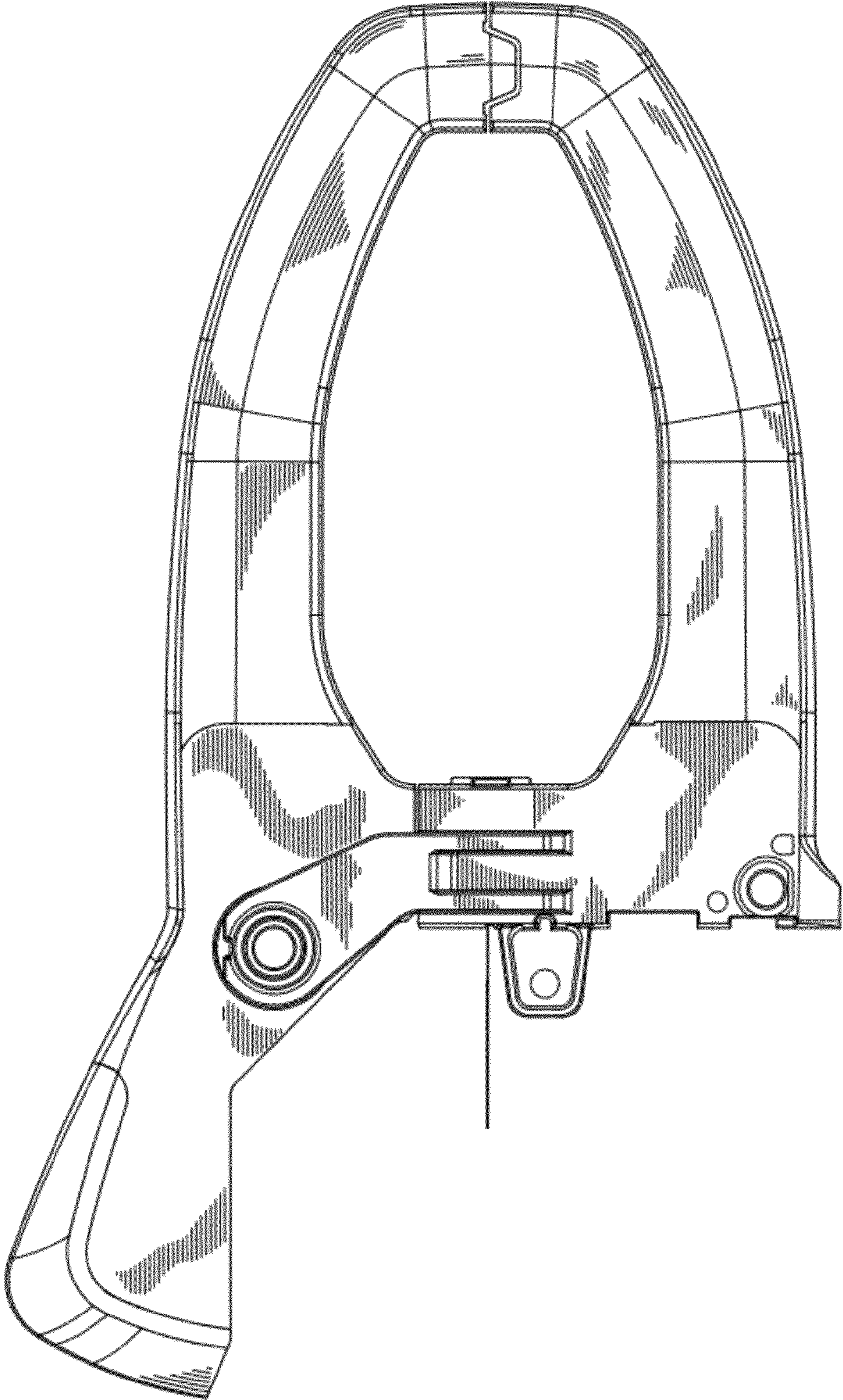


FIG. 1

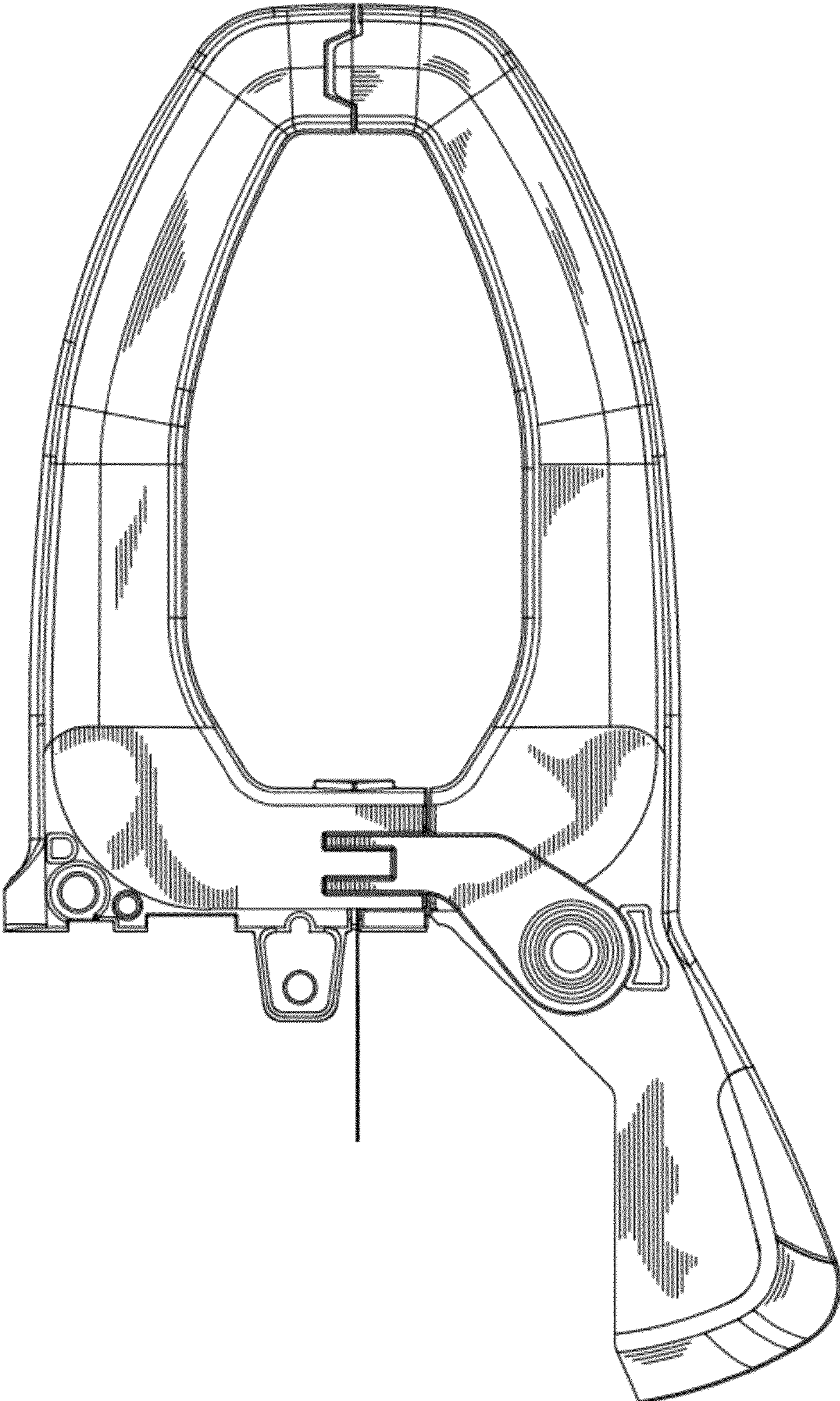


FIG. 2

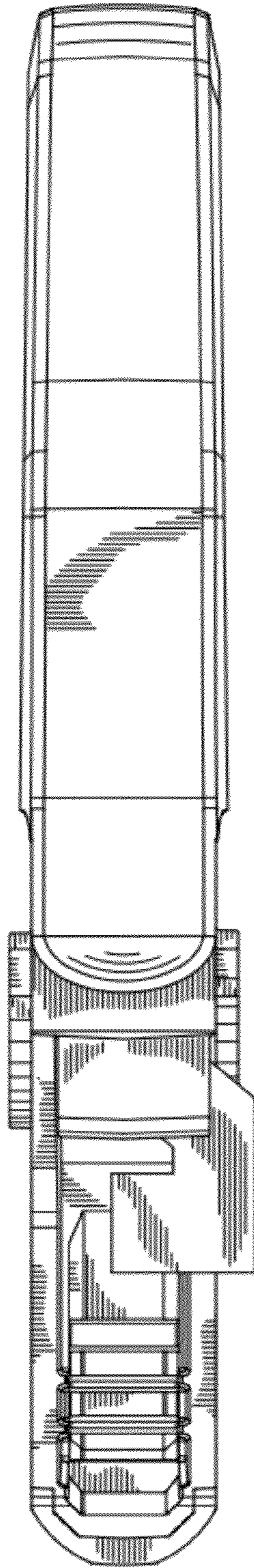


FIG. 3

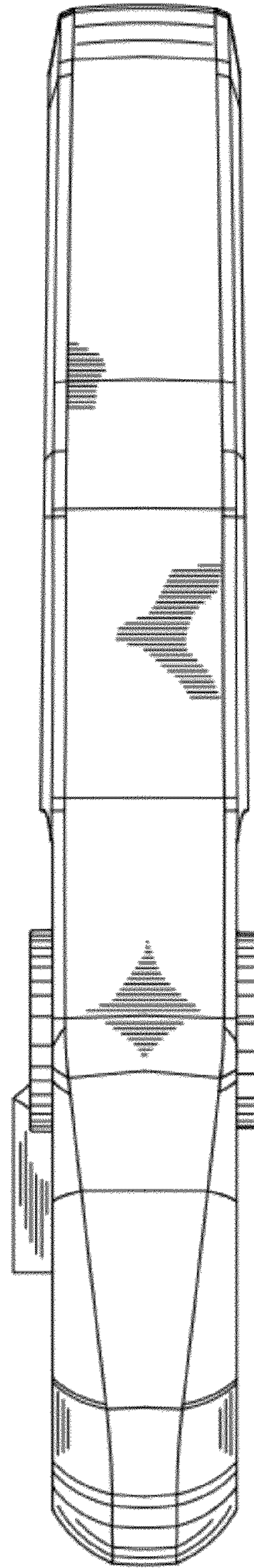


FIG. 4

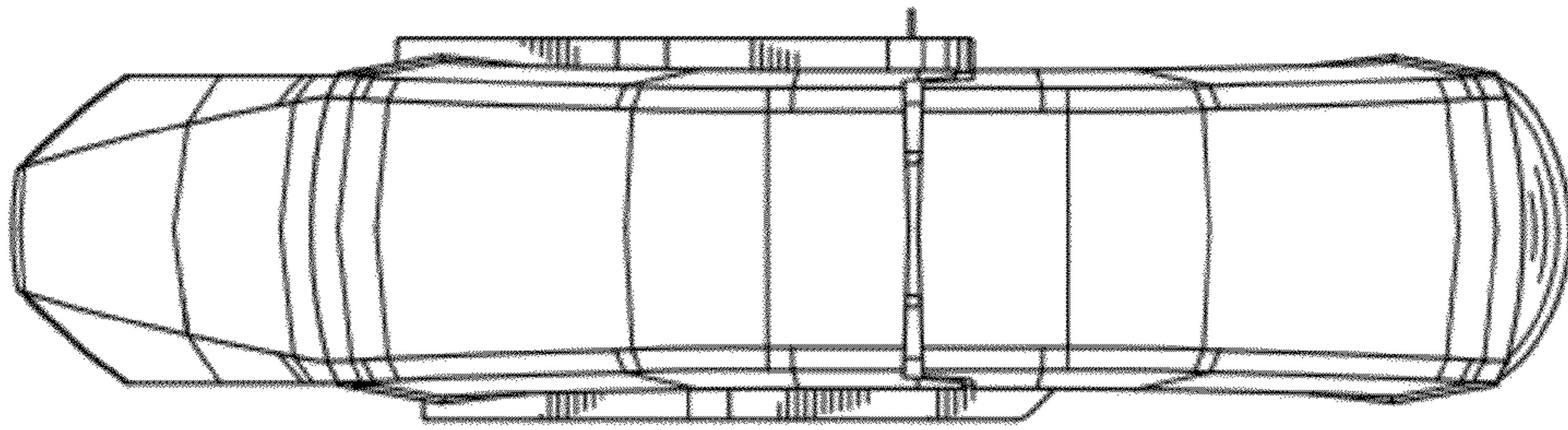


FIG. 5

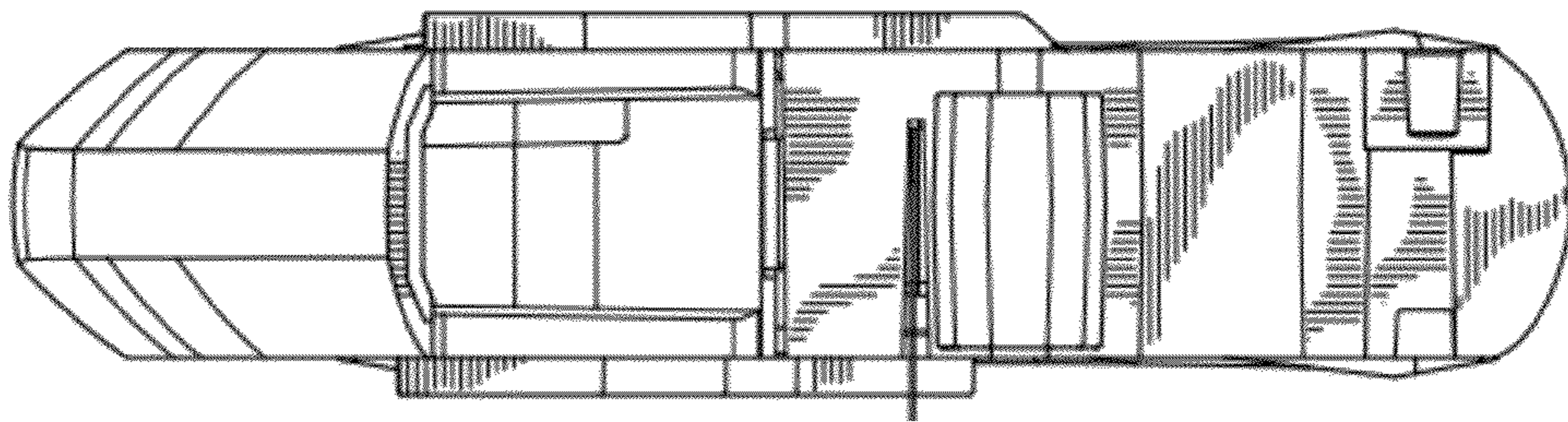


FIG. 6

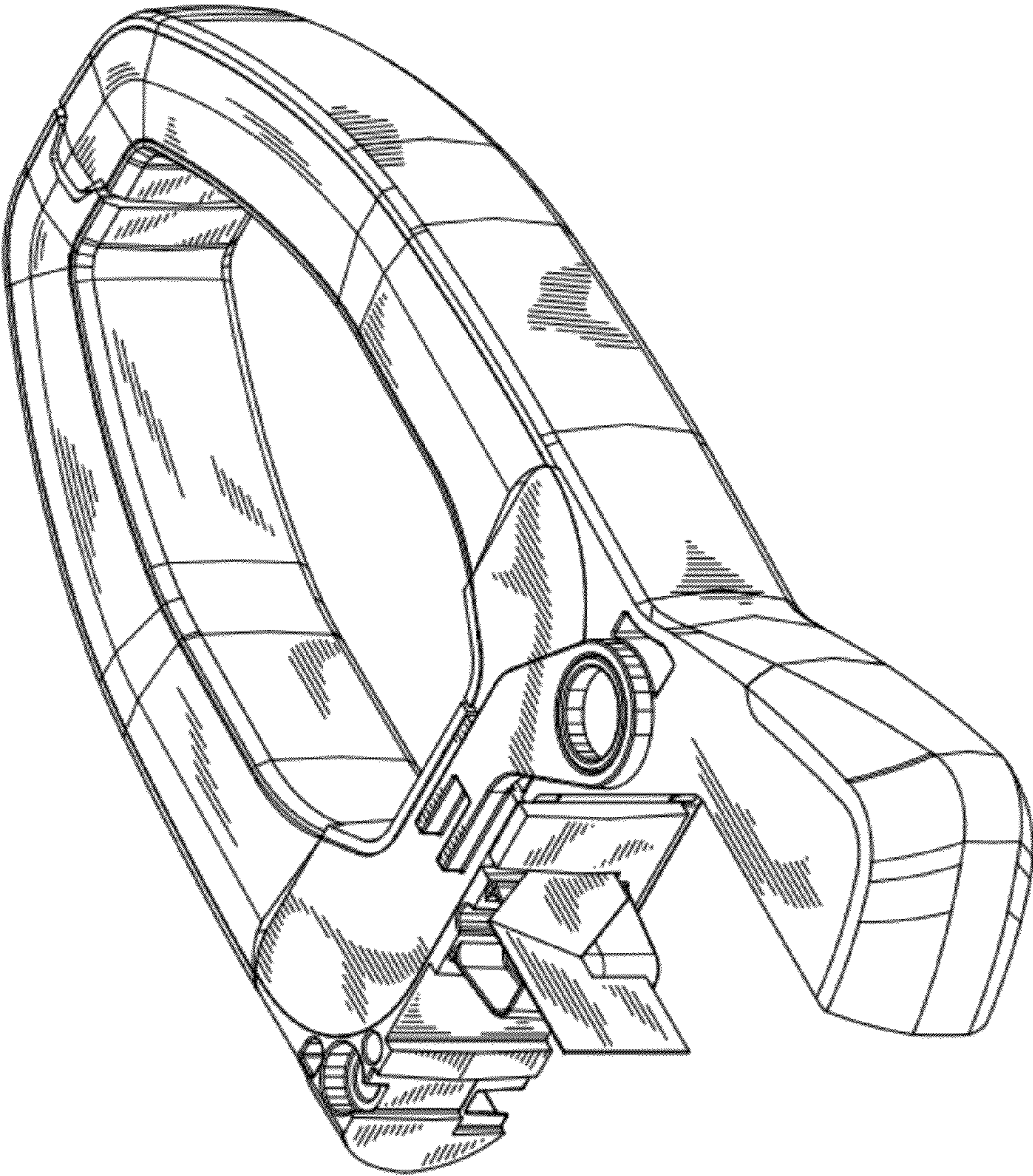


FIG. 7

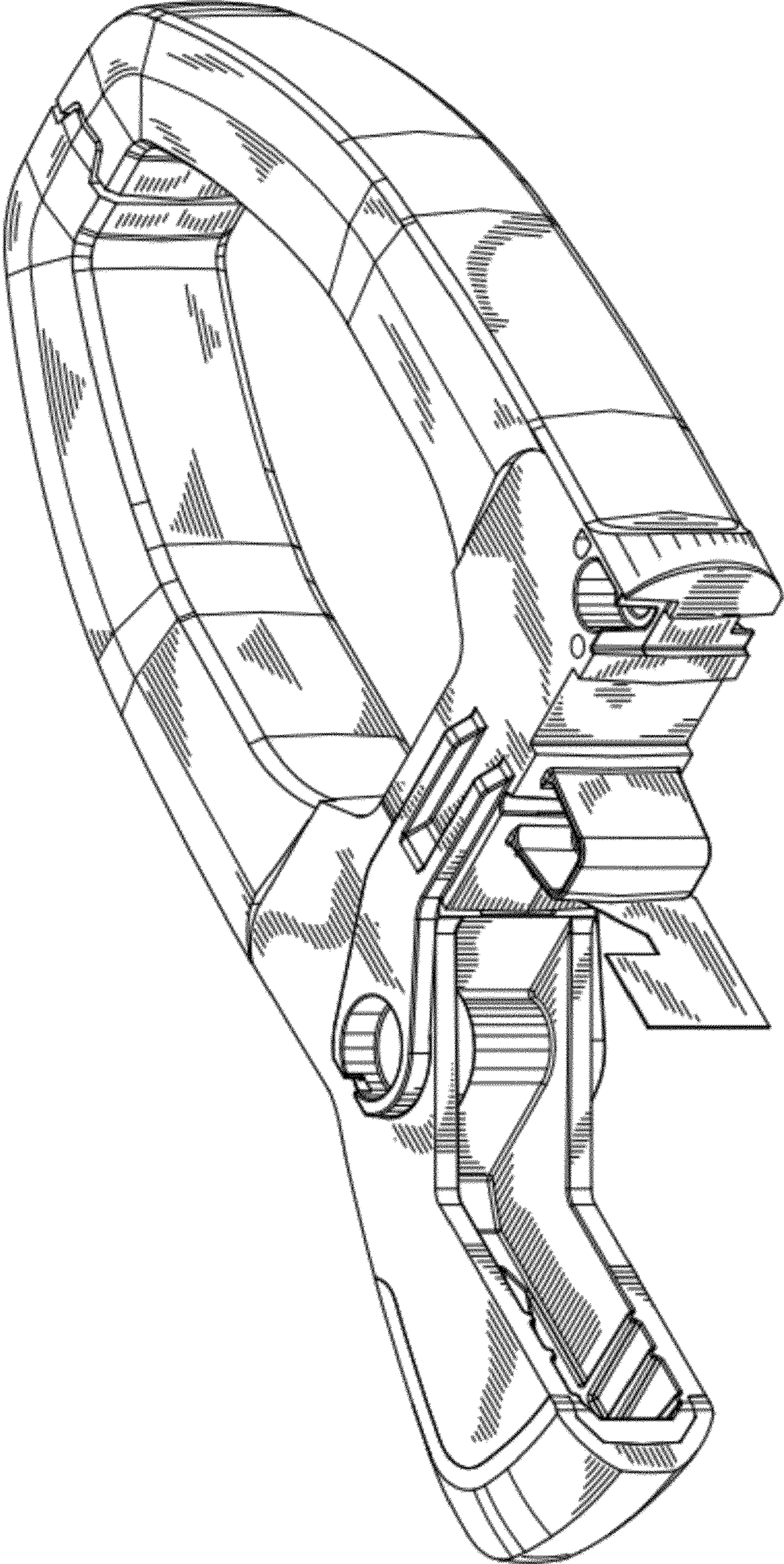


FIG. 8

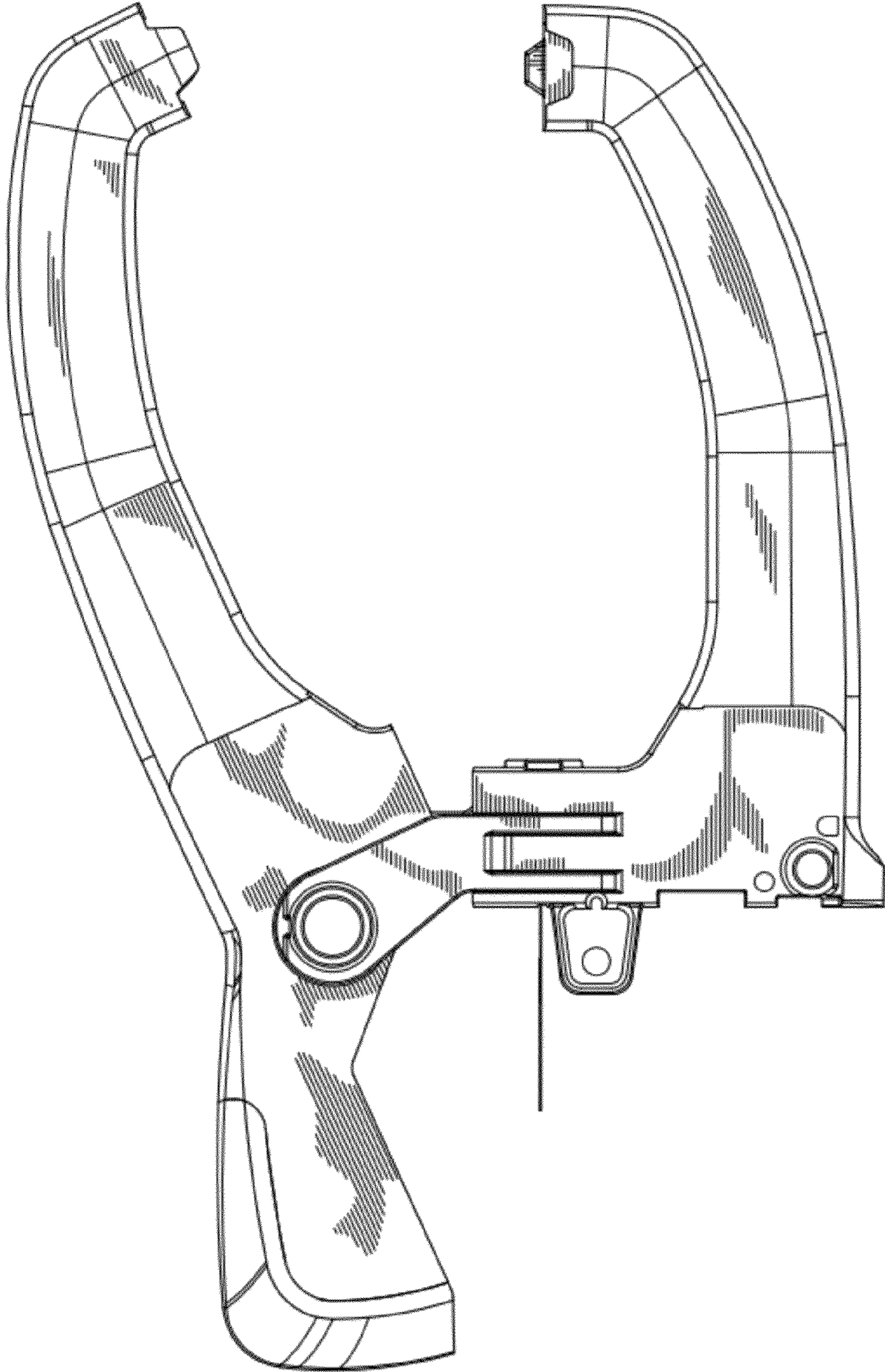


FIG. 9



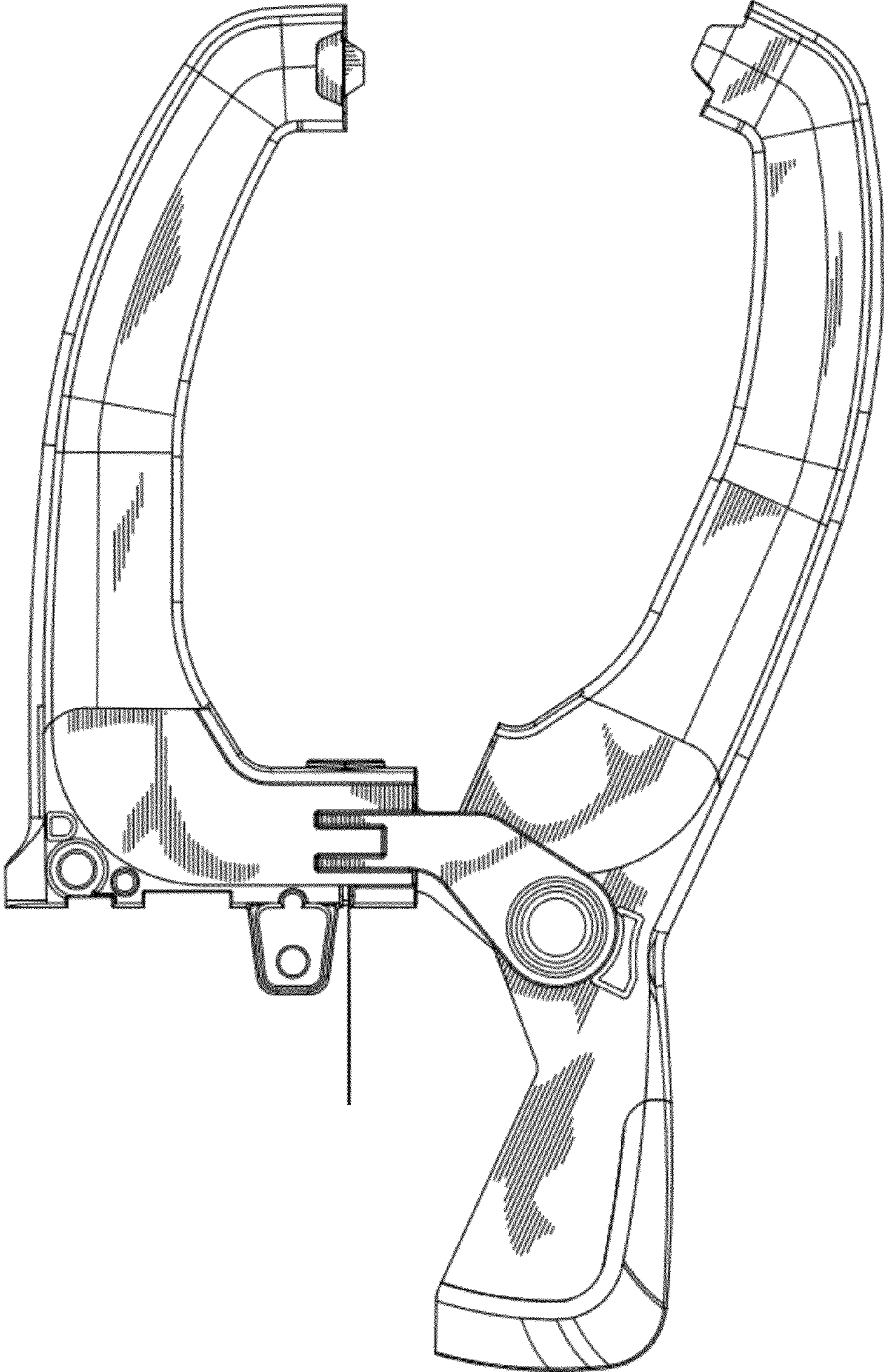


FIG. 10

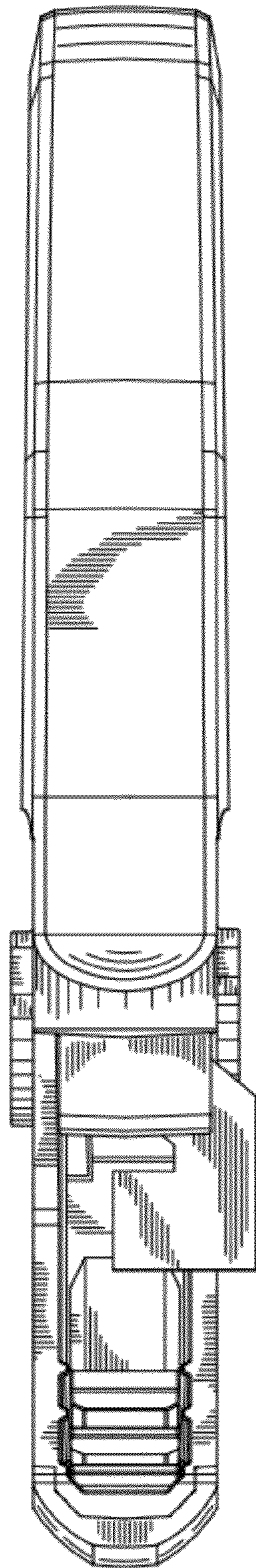


FIG. 11

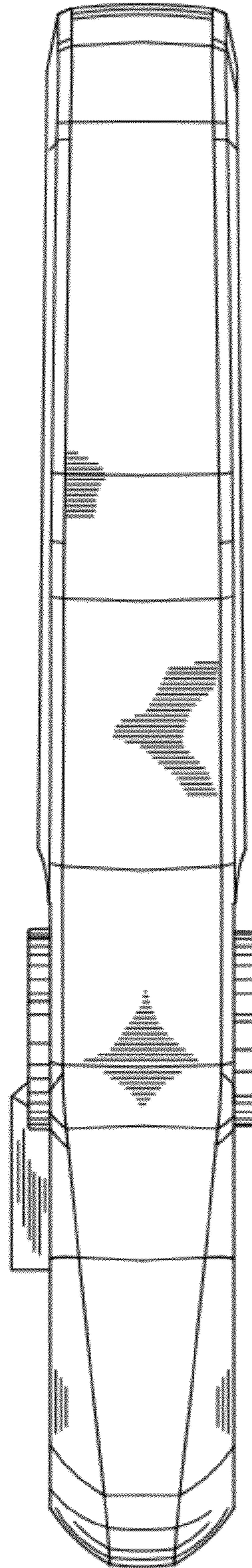


FIG. 12

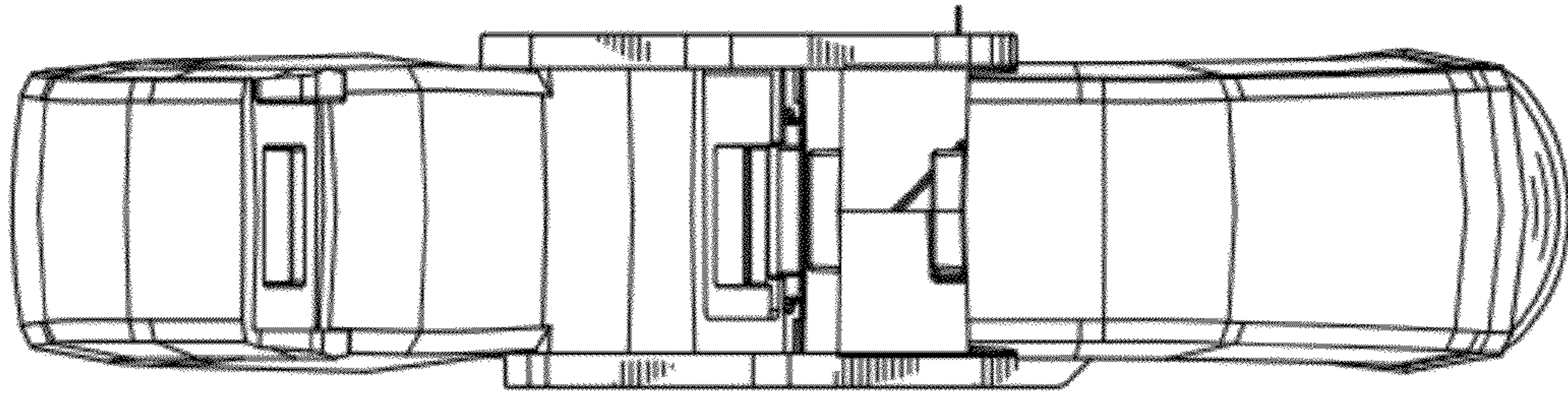


FIG. 13

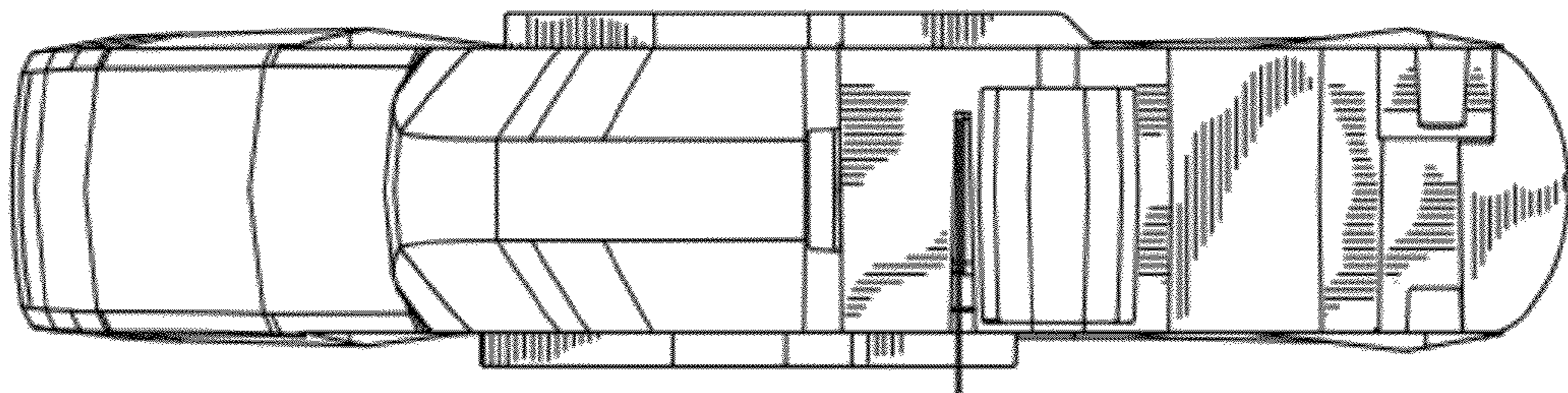


FIG. 14

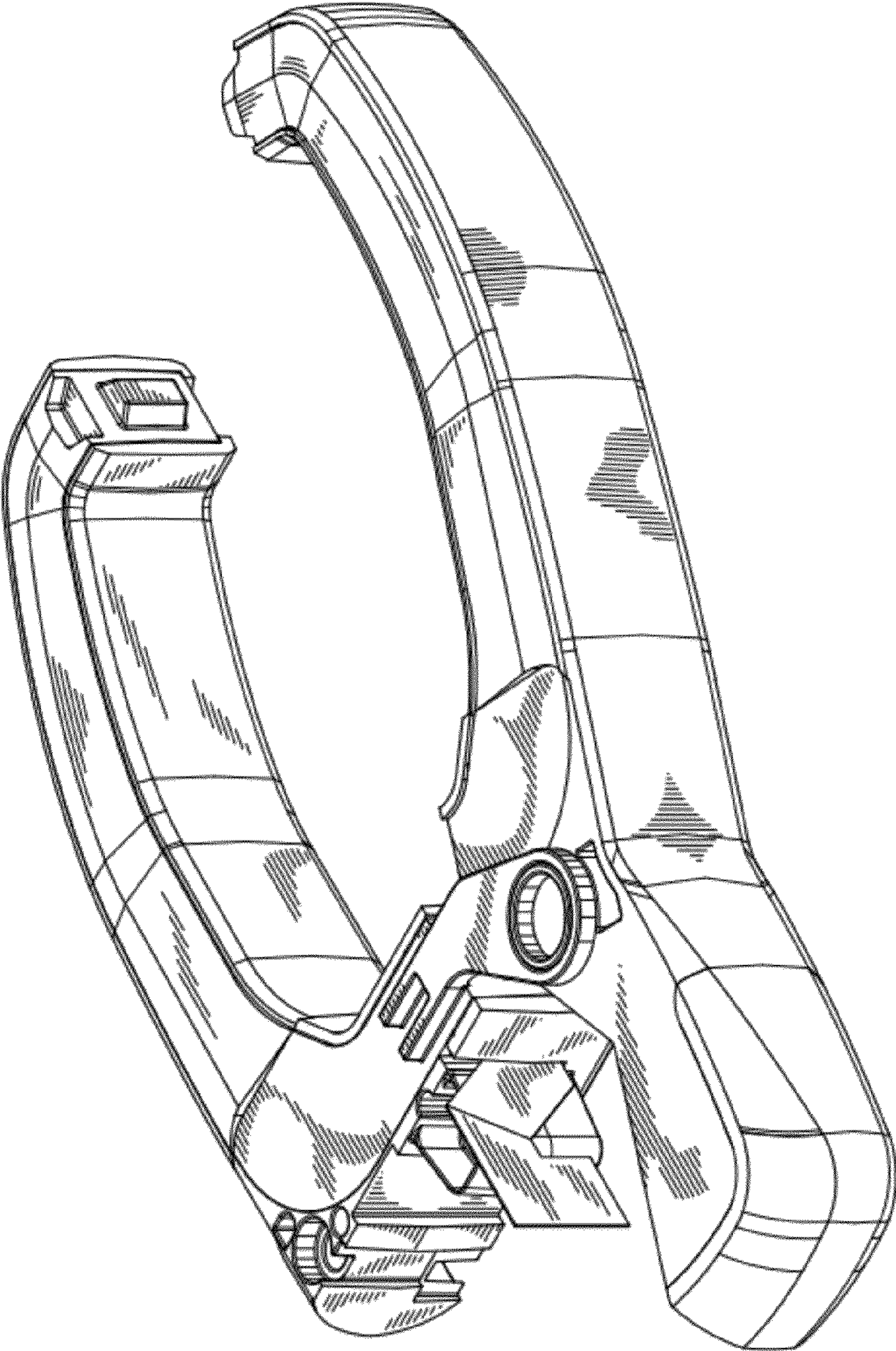


FIG. 15

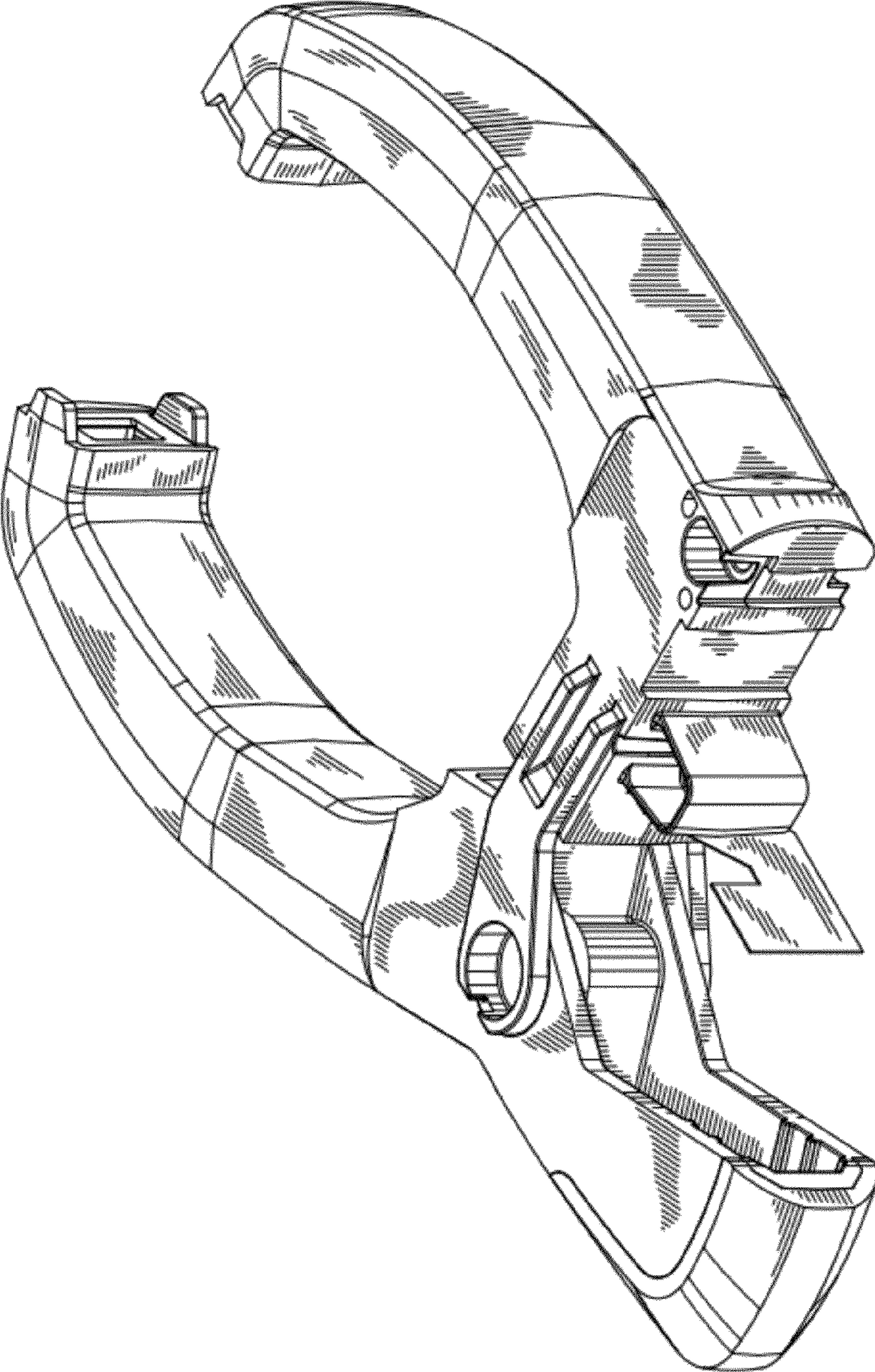


FIG. 16