



US00D665280S

(12) **United States Design Patent**  
**Petrillo et al.**

(10) **Patent No.:** **US D665,280 S**

(45) **Date of Patent:** **\*\* Aug. 14, 2012**

(54) **TEMPERATURE REGULATION DEVICE**

(75) Inventors: **David William Petrillo**, Pennington, NJ (US); **David Richard Jackson**, Pennington, NJ (US)

(73) Assignee: **Coffee Joulies, LLC**, Sherrill, NY (US)

(\*\*) Term: **14 Years**

(21) Appl. No.: **29/397,480**

(22) Filed: **Jul. 15, 2011**

(51) **LOC (9) Cl.** ..... **10-04**

(52) **U.S. Cl.** ..... **D10/50**

(58) **Field of Classification Search** ..... D10/49–50;  
D13/162; 55/270, 274, 279, DIG. 7, DIG. 34;  
62/176.6, 125–130, 78, 180, 186; 73/23.2,  
73/23.34, 31.01, 31.02, 431, 170.16–170.19,  
73/170.21–170.25, 863.12, 29, 29.02, 335.01–335.14;  
236/46 R, 47, 94, 44 C, 44 R, 49.3, 44 A,  
236/96; 337/112, 327, 360; 340/602, 627,  
340/632, 634; 361/346; 364/141, 146, 147,  
364/188, 420, 557; 454/229, 239, 256, 257,  
454/258; 700/18, 159, 181

See application file for complete search history.

(56) **References Cited**

**U.S. PATENT DOCUMENTS**

D498,684 S \* 11/2004 Friedman ..... D10/50  
D498,685 S \* 11/2004 Friedman ..... D10/50  
D560,516 S \* 1/2008 Breuer ..... D10/50

D560,517 S \* 1/2008 Rosen ..... D10/50  
D561,613 S \* 2/2008 Rosen ..... D10/50  
D561,614 S \* 2/2008 Rosen ..... D10/50  
D566,587 S \* 4/2008 Rosen ..... D10/50

\* cited by examiner

*Primary Examiner* — Antoine D Davis

(74) *Attorney, Agent, or Firm* — Jeffrey Schox

(57) **CLAIM**

I claim the ornamental design for a temperature regulation device, as shown and described.

**DESCRIPTION**

FIG. 1 is a downward perspective view of the temperature regulation device.

FIG. 2 is an upward perspective view of the temperature regulation device.

FIG. 3 is view of the front of the temperature regulation device.

FIG. 4 is view of the left side of the temperature regulation device.

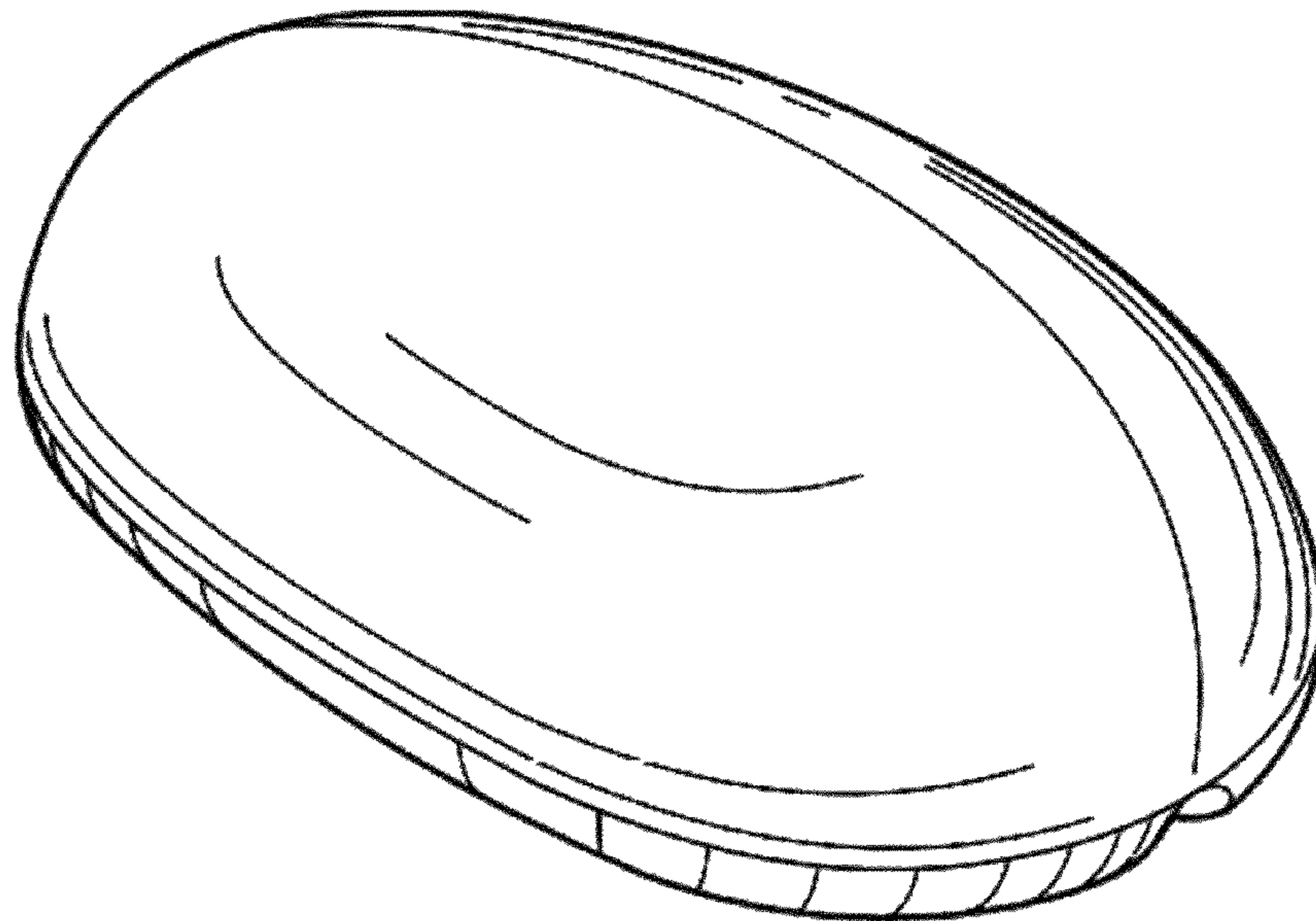
FIG. 5 is view of the back of the temperature regulation device.

FIG. 6 is a view of the right side of the temperature regulation device.

FIG. 7 is a view of the top of the temperature regulation device; and,

FIG. 8 is a view of the bottom of the temperature regulation device.

**1 Claim, 3 Drawing Sheets**



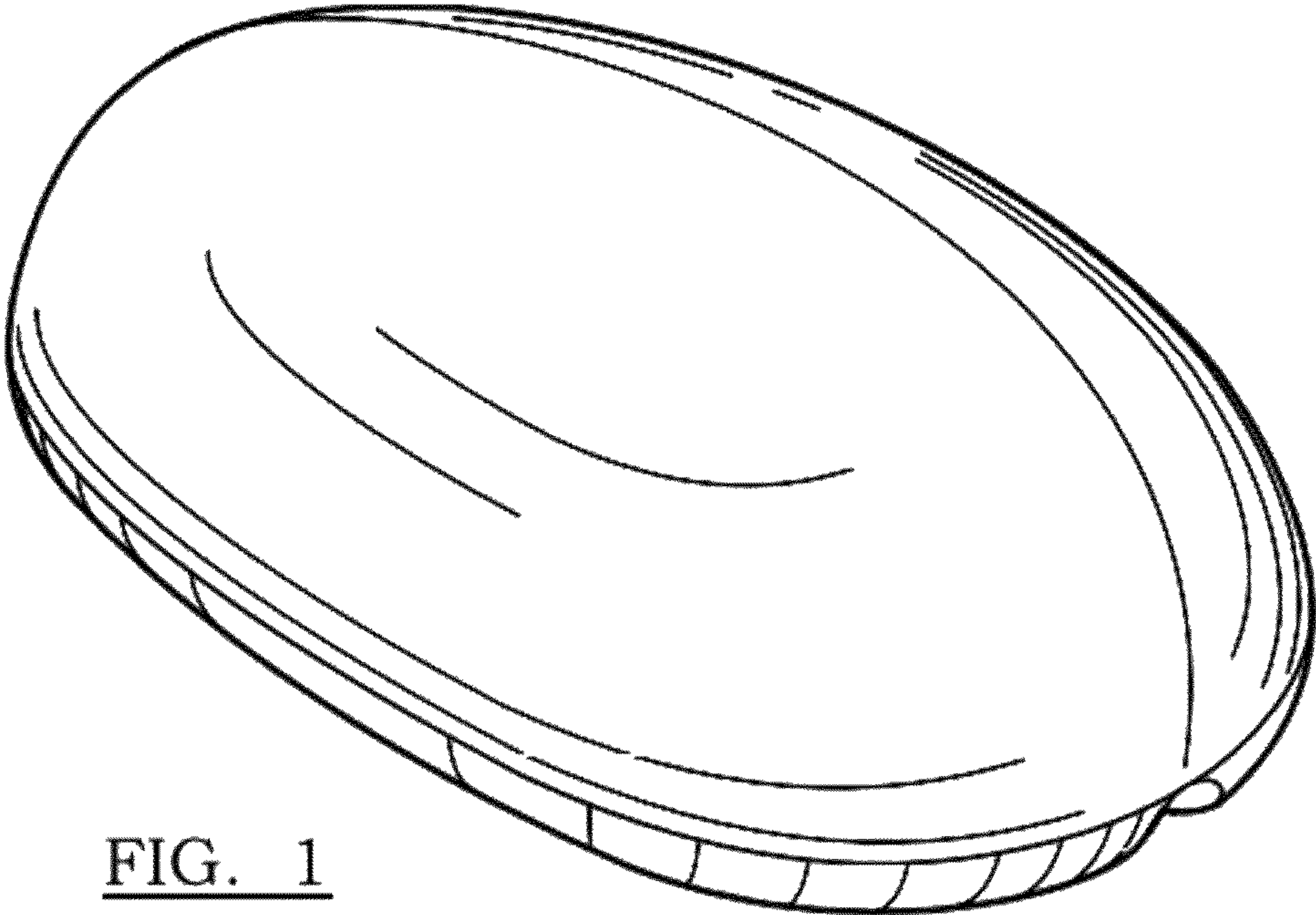


FIG. 1

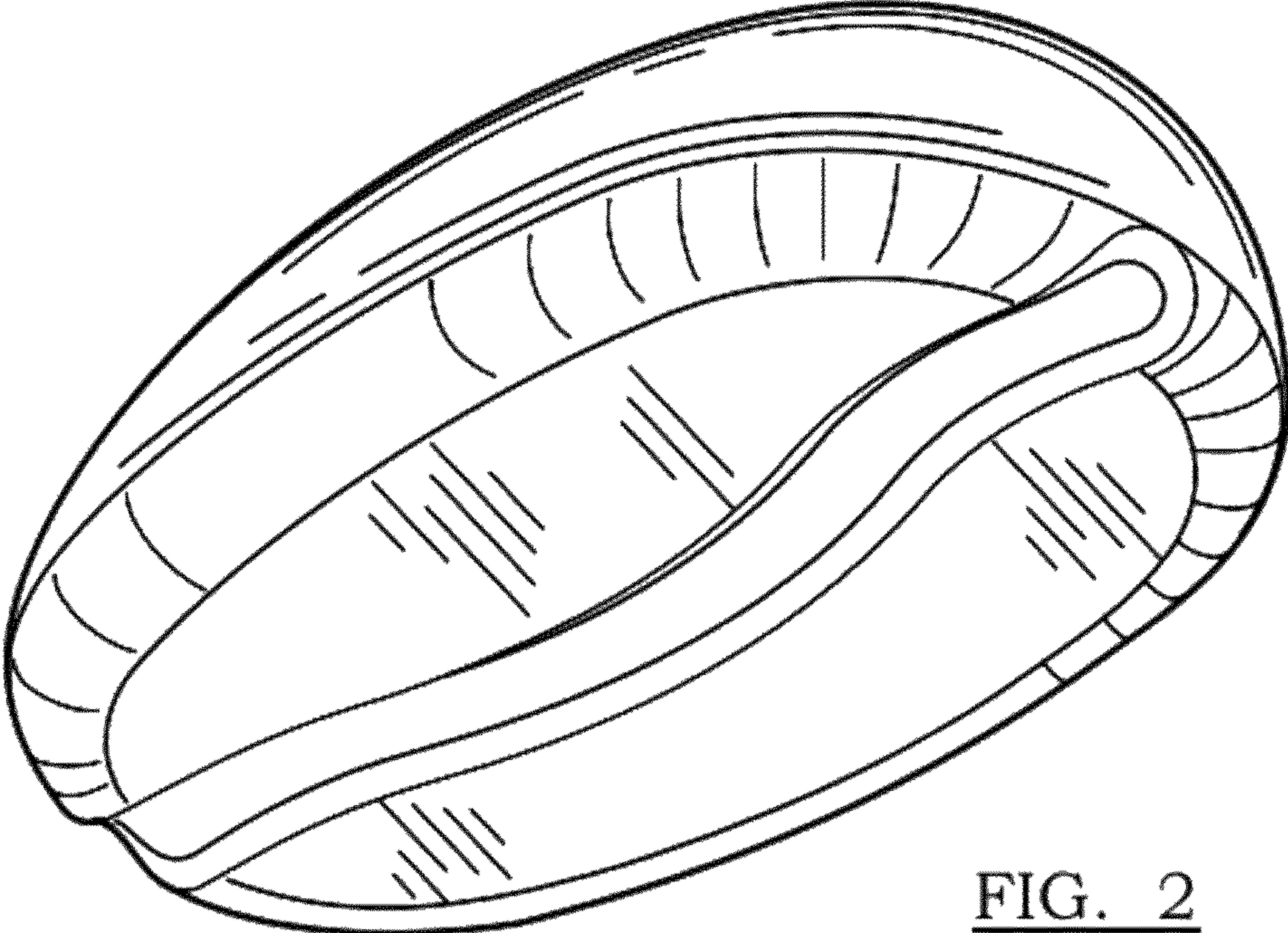


FIG. 2

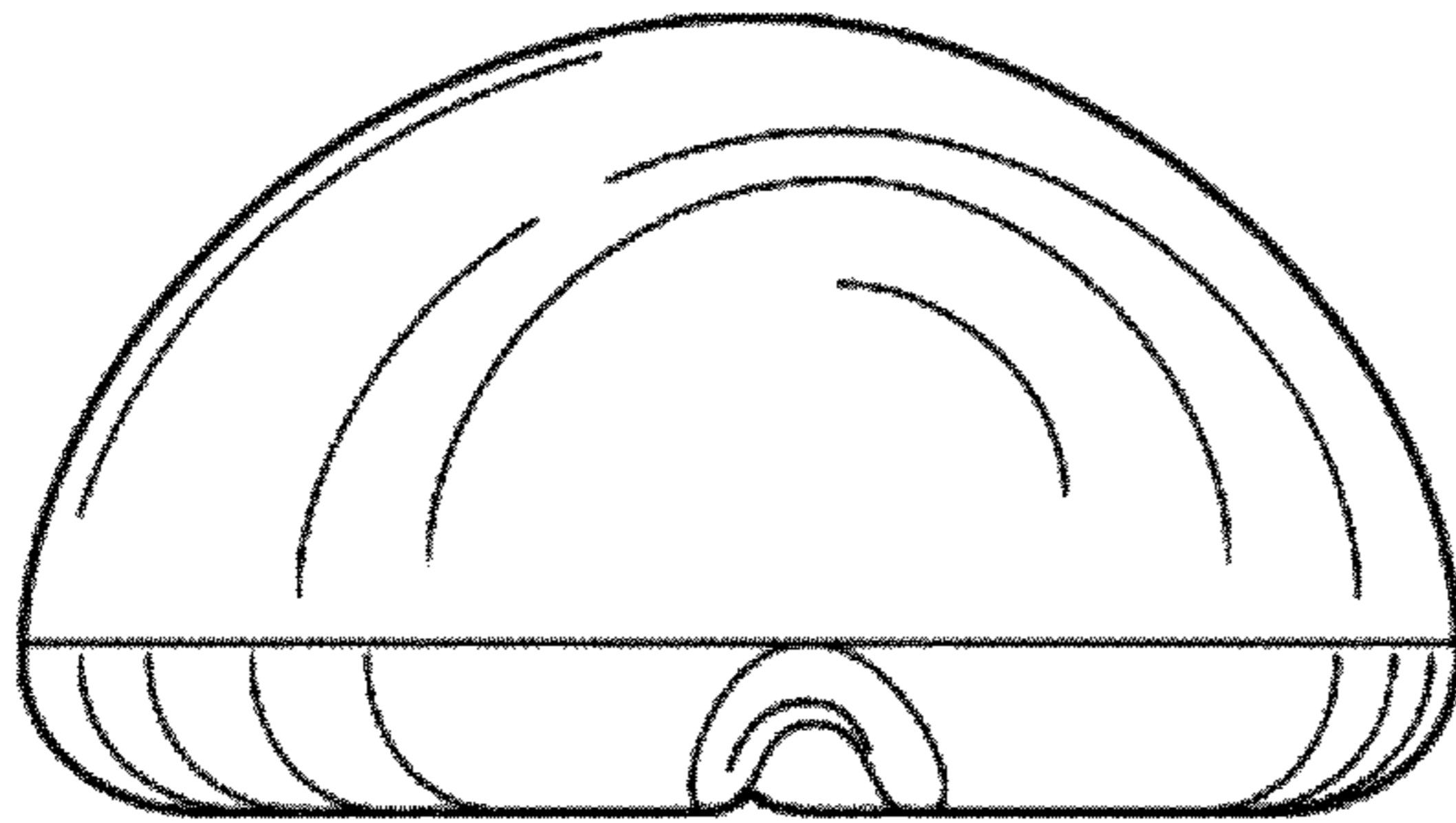


FIG. 3

FIG. 4

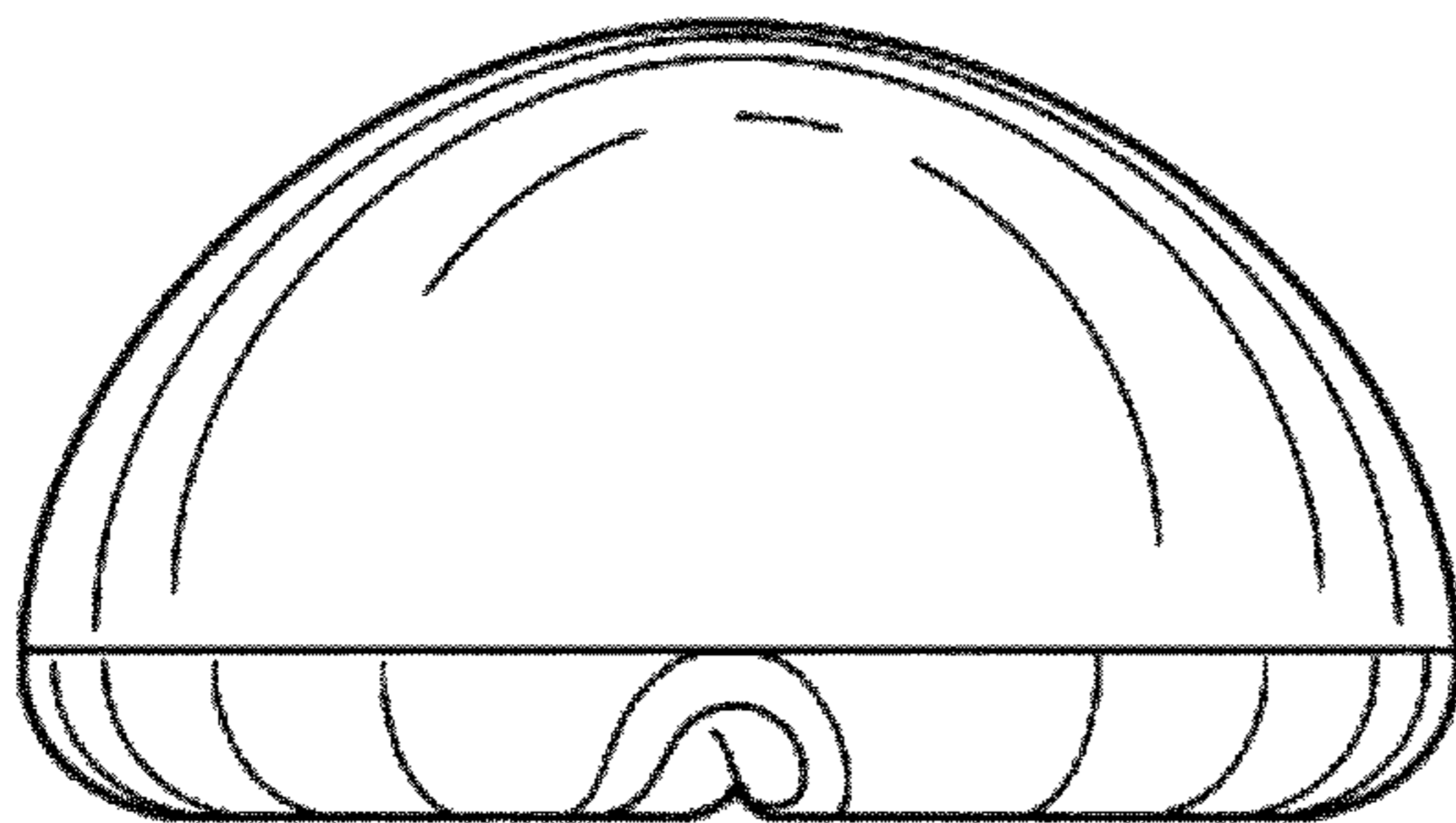
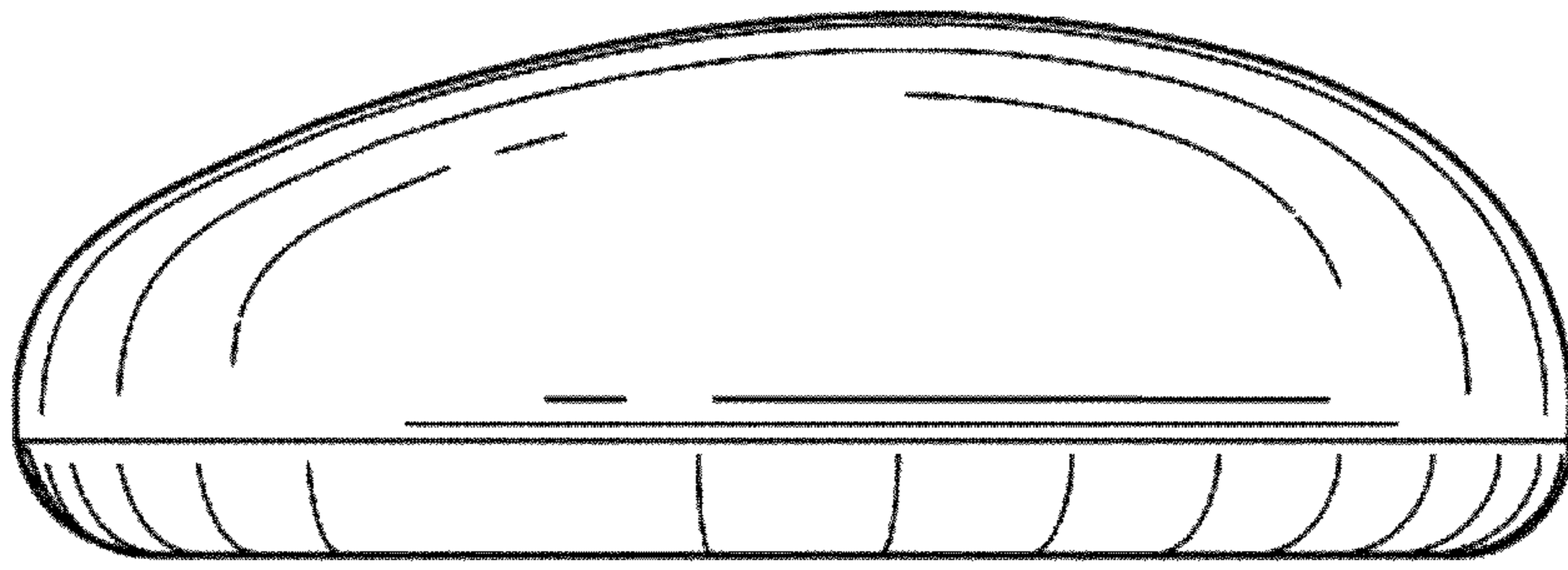
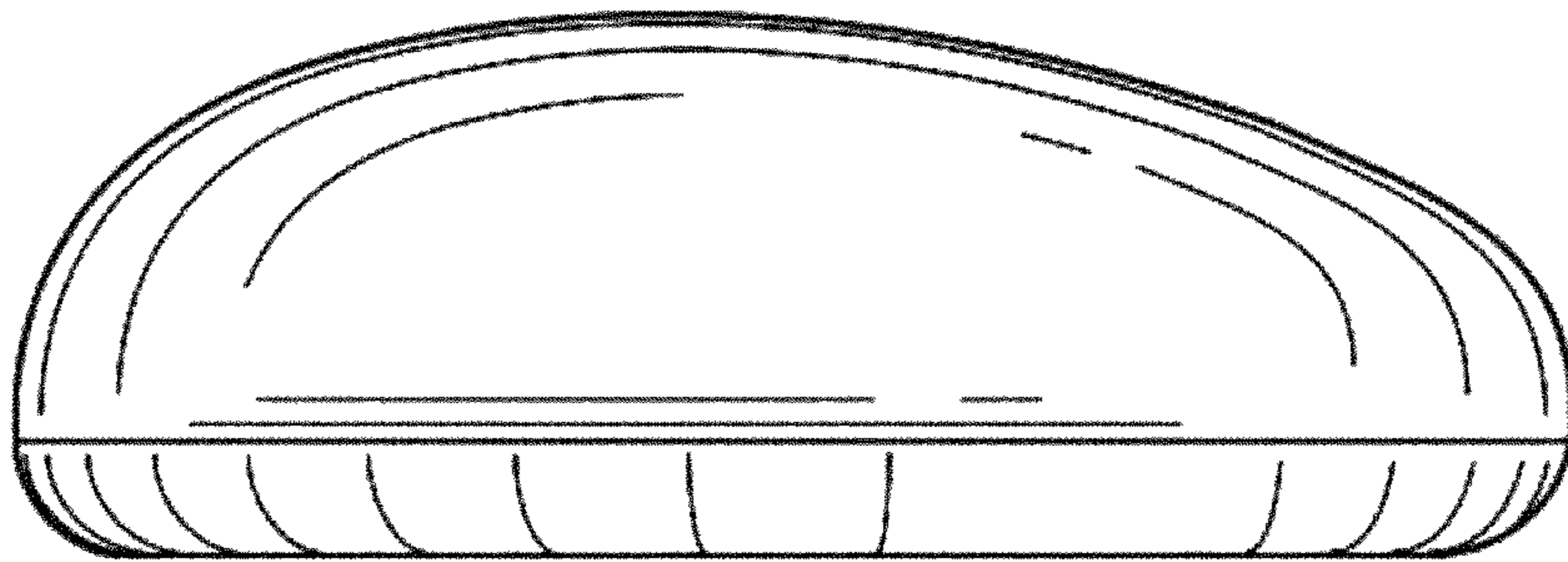


FIG. 5

FIG. 6



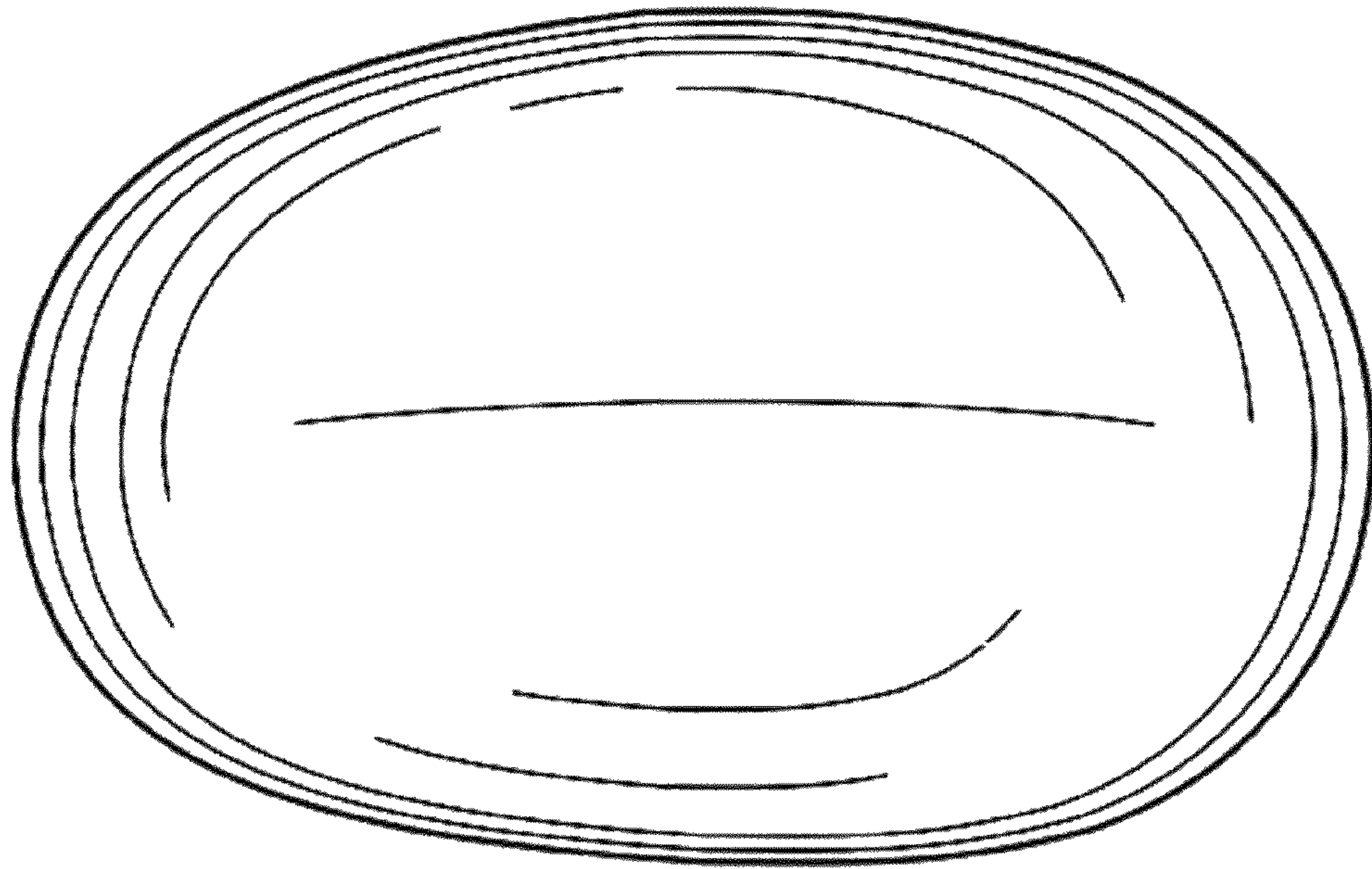


FIG. 7

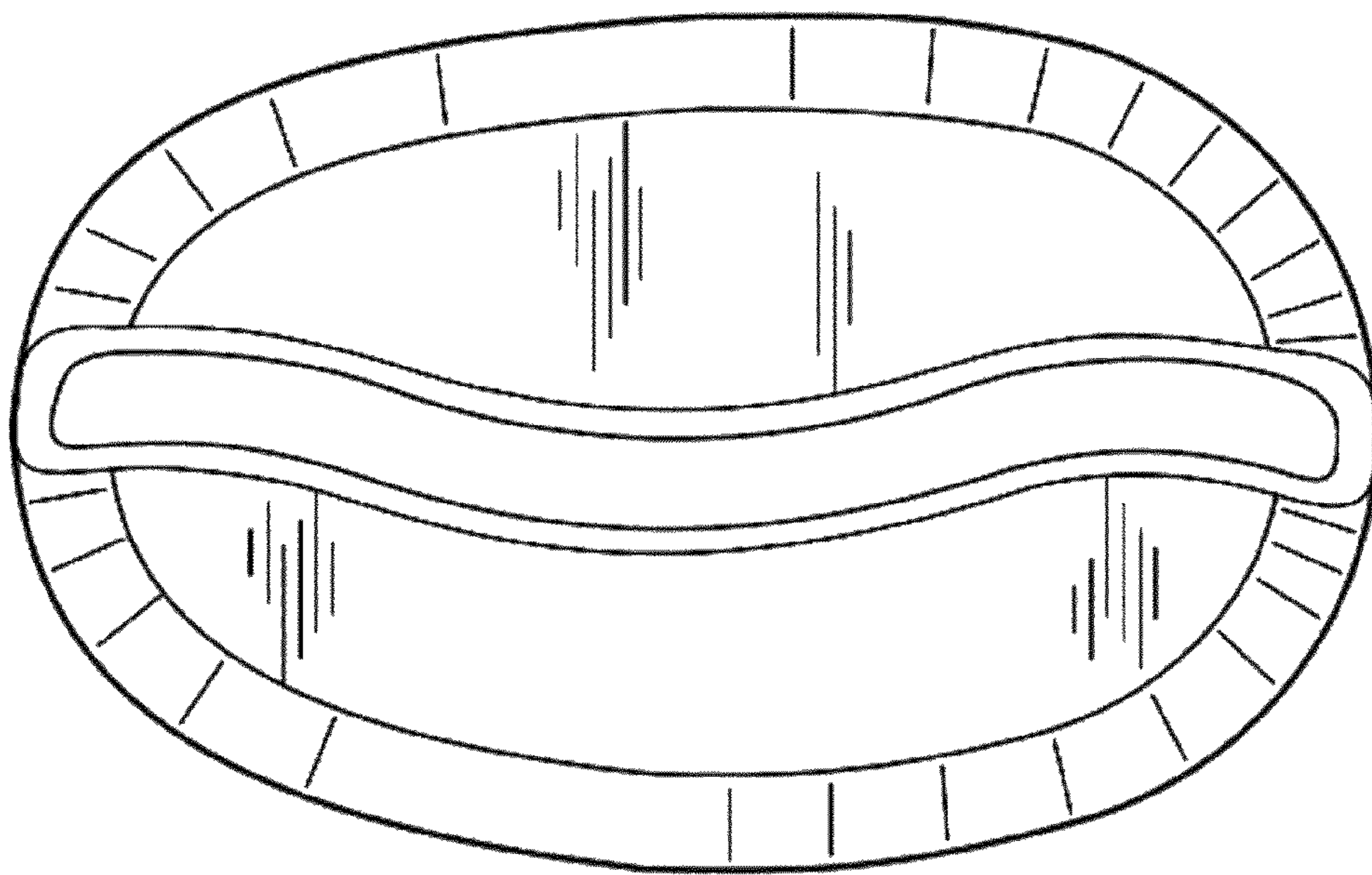


FIG. 8