

US00D665278S

(12) **United States Design Patent**  
**Wang et al.**

(10) **Patent No.:** **US D665,278 S**  
(45) **Date of Patent:** **\*\* Aug. 14, 2012**

(54) **ANALYTE SENSOR**

(75) Inventors: **Yi Wang**, San Ramon, CA (US); **Joseph A. Vivolo**, San Francisco, CA (US); **Shridhara Alva Karinka**, Pleasanton, CA (US)

(73) Assignee: **Abbott Diabetes Care Inc.**, Alameda, CA (US)

(\*\*) Term: **14 Years**

(21) Appl. No.: **29/403,320**

(22) Filed: **Oct. 4, 2011**

**Related U.S. Application Data**

(63) Continuation of application No. 11/281,883, filed on Nov. 17, 2005, which is a continuation-in-part of application No. 10/866,477, filed on Jun. 12, 2004, now abandoned, which is a continuation of application No. 10/033,575, filed on Dec. 28, 2001, now Pat. No. 6,749,740, which is a continuation of application No. 09/434,026, filed on Nov. 4, 1999, now Pat. No. 6,616,819.

(51) **LOC (9) Cl.** ..... **10-04**

(52) **U.S. Cl.** ..... **D10/46; D10/81**

(58) **Field of Classification Search** ..... **D10/46, D10/81; 204/416-418, 404, 405, 403.01-403.14; 205/775, 778, 792**

See application file for complete search history.

(56) **References Cited**

**U.S. PATENT DOCUMENTS**

5,141,868 A 8/1992 Shanks et al.  
5,437,999 A 8/1995 Diebold et al.

5,759,364 A	6/1998	Charlton et al.	
5,856,195 A	1/1999	Charlton et al.	
5,873,990 A	2/1999	Wojciechowski et al.	
6,071,391 A	6/2000	Gotoh et al.	
6,156,173 A	12/2000	Gotoh et al.	
6,207,000 B1	3/2001	Schwobel et al.	
6,356,774 B1	3/2002	Bernstein et al.	
6,461,496 B1	10/2002	Feldman et al.	
6,503,381 B1	1/2003	Gotoh et al.	
6,616,819 B1	9/2003	Liamos et al.	
D583,691 S	12/2008	Wang	
D587,142 S *	2/2009	Wang	D10/46
D613,190 S *	4/2010	Wang	D10/46
2006/0049047 A1 *	3/2006	Sato	204/403.01
2006/0131171 A1 *	6/2006	Kobayashi	204/403.01
2007/0062811 A1 *	3/2007	Yang et al.	204/403.01
2008/0011605 A1 *	1/2008	Kusaka	204/403.11
2008/0267823 A1 *	10/2008	Wang et al.	422/68.1
2009/0101499 A1 *	4/2009	Katsuki et al.	204/403.14
2009/0223837 A1 *	9/2009	Feldman et al.	205/792
2011/0155584 A1 *	6/2011	Chatelier et al.	205/777.5

\* cited by examiner

*Primary Examiner* — Antoine D Davis

(74) *Attorney, Agent, or Firm* — Edward J. Baba; Bozicevic, Field & Francis LLP

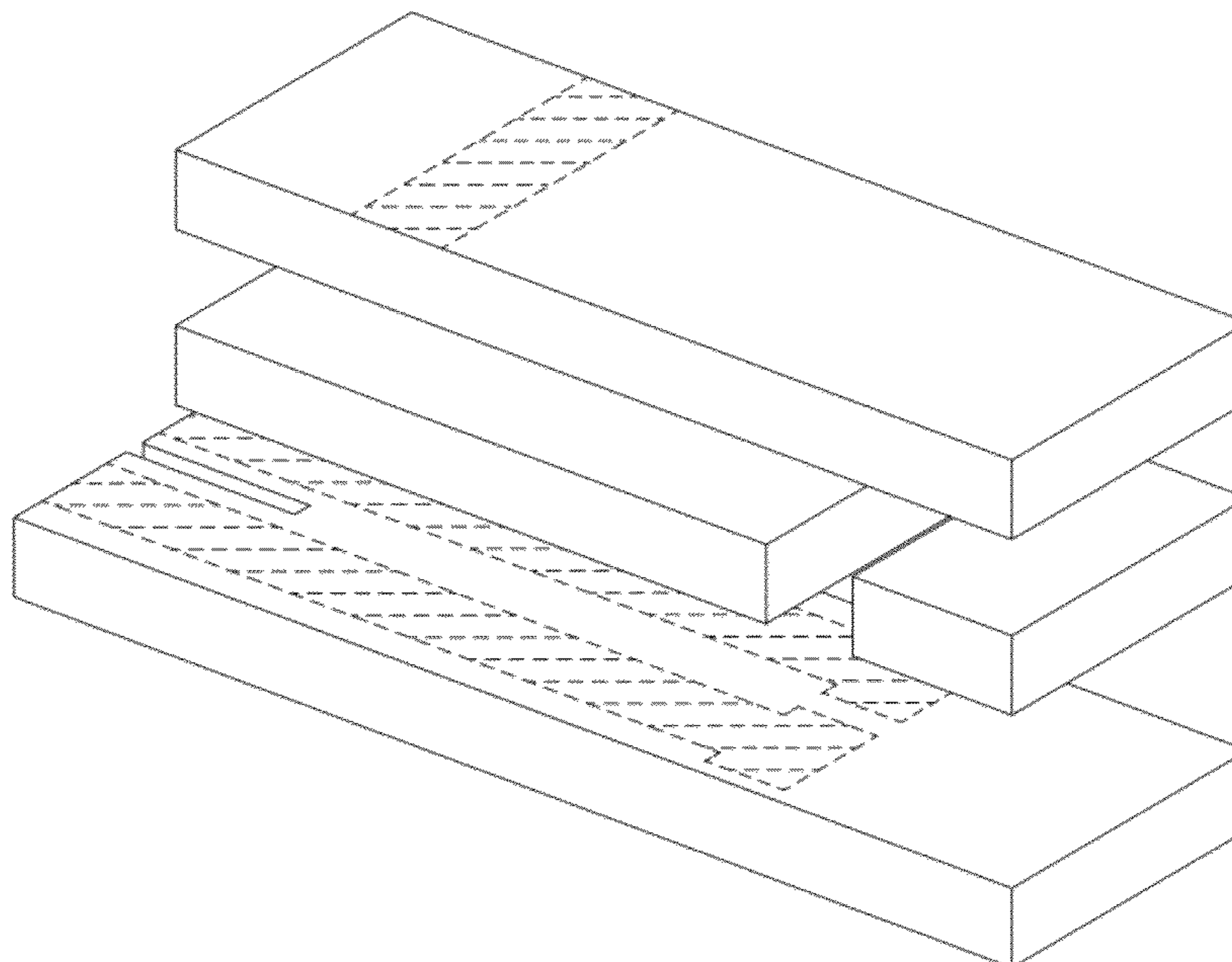
(57) **CLAIM**

The ornamental design for analyte sensor, as shown and described.

**DESCRIPTION**

FIG. 1 is a schematic perspective view of an exemplary analyte sensor, with no claim made to the portion shown in phantom; and, FIG. 2 is a schematic top view of the analyte sensor of FIG. 1, with no claim made to the portion shown in phantom.

**1 Claim, 2 Drawing Sheets**



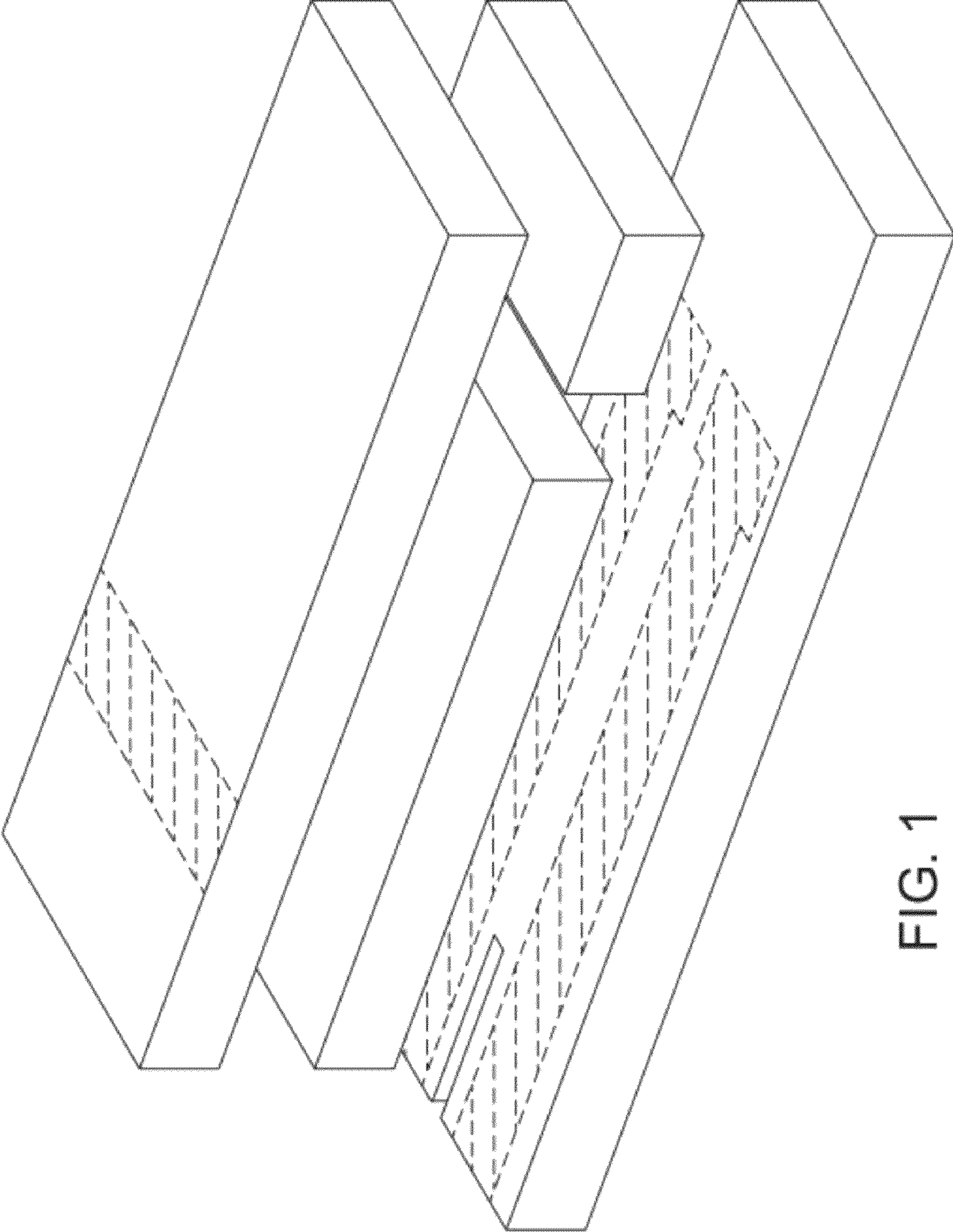


FIG. 1

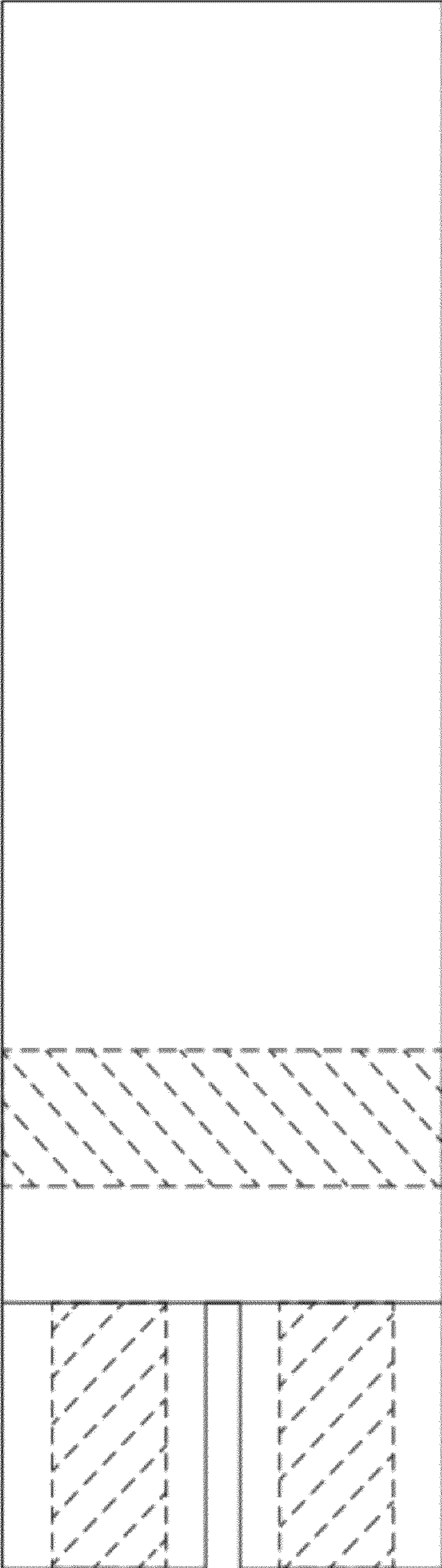


FIG. 2