



US00D665277S

(12) **United States Design Patent**
Chiang

(10) **Patent No.:** **US D665,277 S**

(45) **Date of Patent:** **** Aug. 14, 2012**

(54) **WATCH CASING**

(75) **Inventor:** **Eric Chiang, Tseung Kwan O (HK)**

(73) **Assignee:** **Timex Group USA, Inc., Middlebury, CT (US)**

(**) **Term:** **14 Years**

(21) **Appl. No.:** **29/412,252**

(22) **Filed:** **Feb. 1, 2012**

(51) **LOC (9) Cl.** **10-02**

(52) **U.S. Cl.** **D10/38**

(58) **Field of Classification Search** D10/30-39;
368/276, 281, 282, 285

See application file for complete search history.

(56) **References Cited**

U.S. PATENT DOCUMENTS

D236,592 S *	9/1975	Portmann	D10/32
D240,918 S *	8/1976	Tvengsberg	D19/20
4,015,422 A *	4/1977	Van Haaften	368/281
D248,547 S *	7/1978	Fernando	D10/32
4,135,358 A *	1/1979	Ricca	368/281
4,396,298 A *	8/1983	Ripley	368/300
D296,675 S *	7/1988	Jones et al.	D10/31
D298,610 S *	11/1988	Young	D10/32
D301,015 S *	5/1989	Nakai	D10/32
4,862,436 A *	8/1989	Harilela	368/282
D313,941 S *	1/1991	Wakamatsu	D10/38
5,361,241 A *	11/1994	Ferrara et al.	368/281
5,838,642 A *	11/1998	Tully	368/282

D513,195 S *	12/2005	Gruosi	D10/38
D558,067 S *	12/2007	Carbonatto	D10/38
D617,663 S *	6/2010	Jarvis	D10/38

OTHER PUBLICATIONS

Three applications of artwork used on belt buckles.

* cited by examiner

Primary Examiner — Lucy Lieberman

(74) *Attorney, Agent, or Firm* — Carmody & Torrance LLP

(57) **CLAIM**

The ornamental design for a watch casing, as shown and described.

DESCRIPTION

FIG. 1 is a top perspective view of a watch casing showing my new design;

FIG. 2 is a right side elevational view thereof, the left side being a mirror image;

FIG. 3 is a top plan view thereof;

FIG. 4 is a bottom plan view thereof;

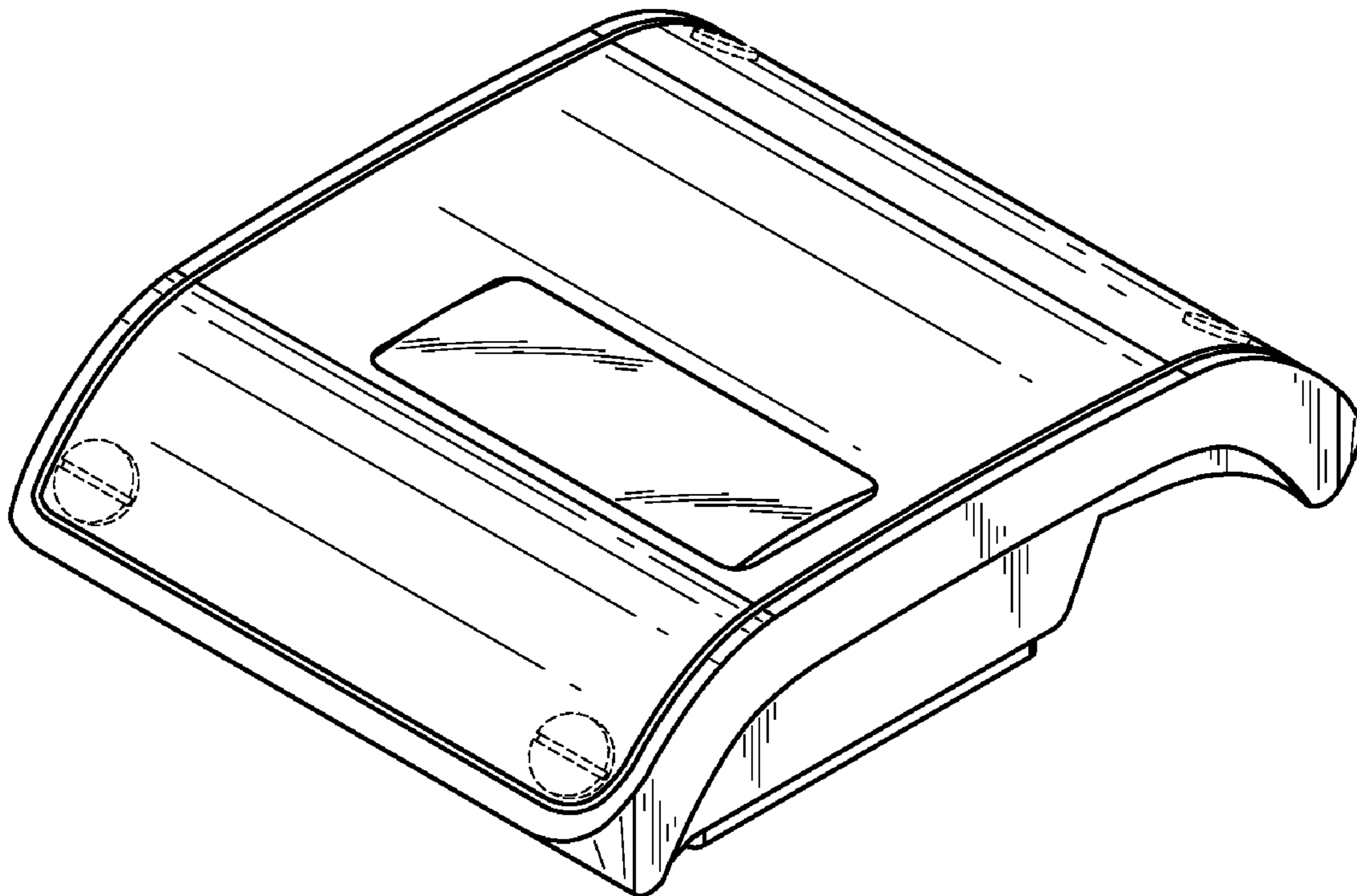
FIG. 5 is a first end elevational view thereof;

FIG. 6 is a second end elevational view thereof; and,

FIG. 7 is a bottom perspective view thereof.

The dotted lines are intended to show features that are environmental only and form no part of the claimed design.

1 Claim, 2 Drawing Sheets



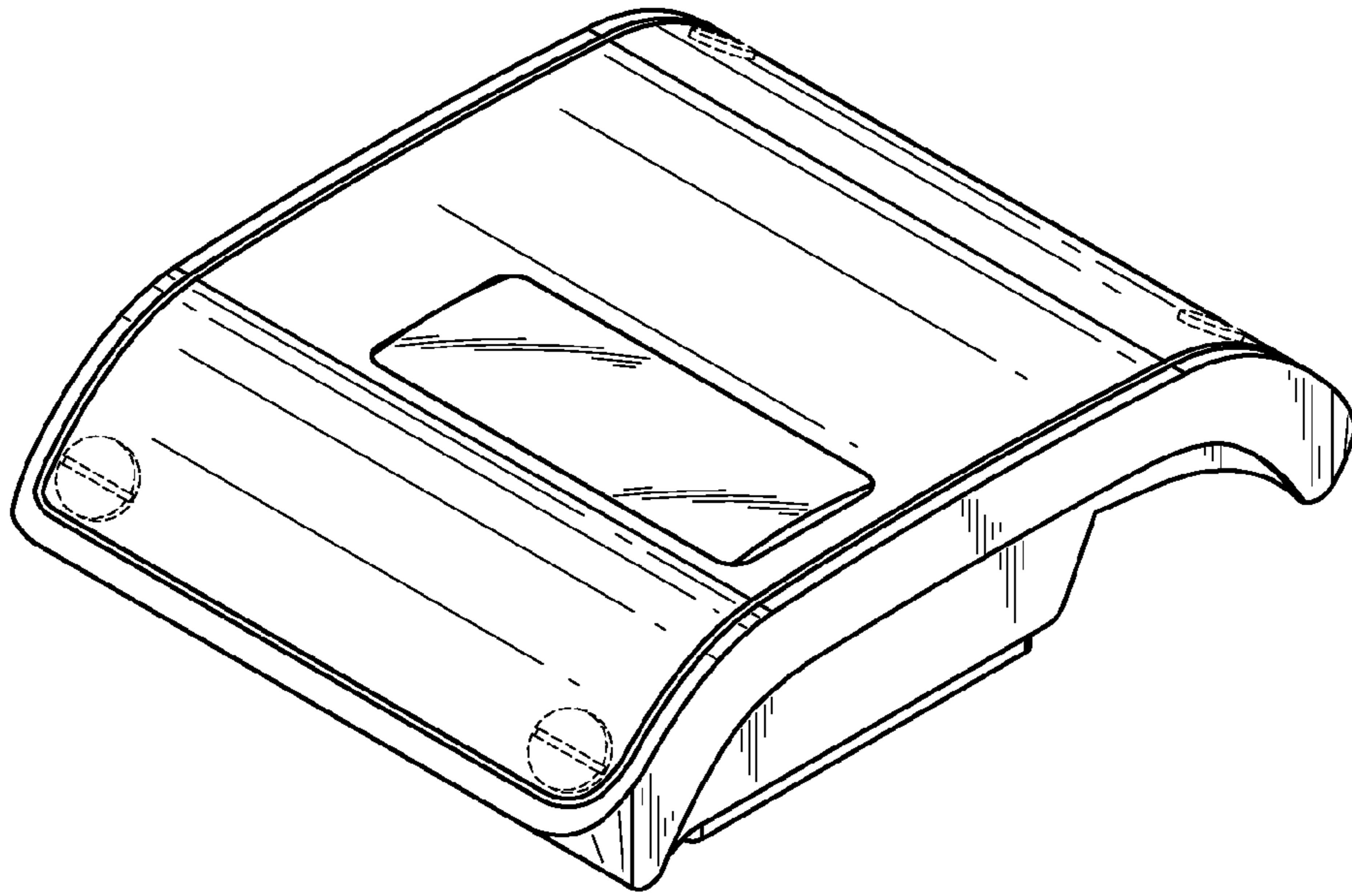


FIG. 1

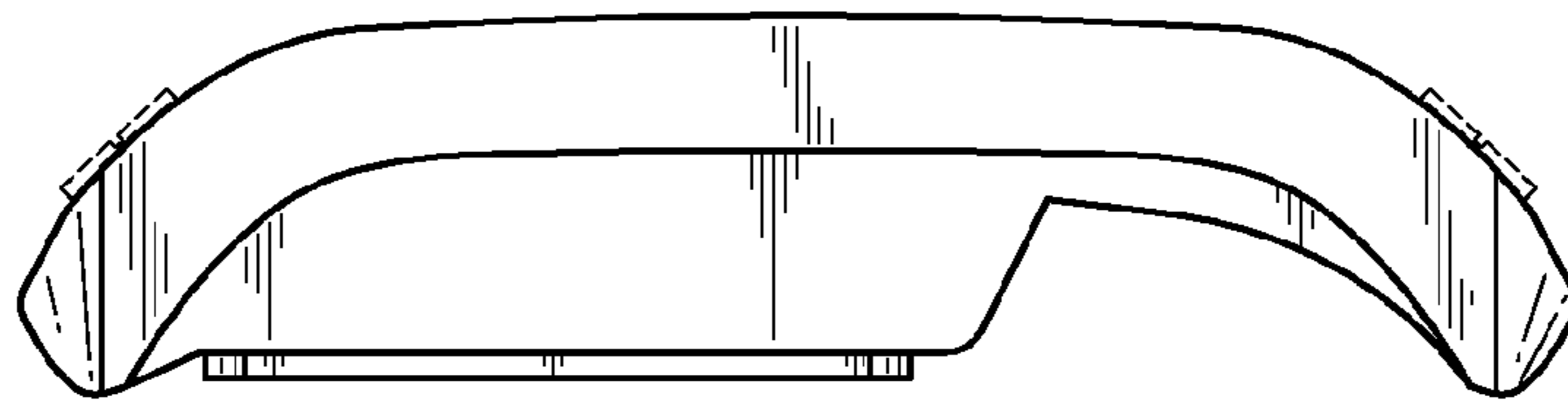


FIG. 2

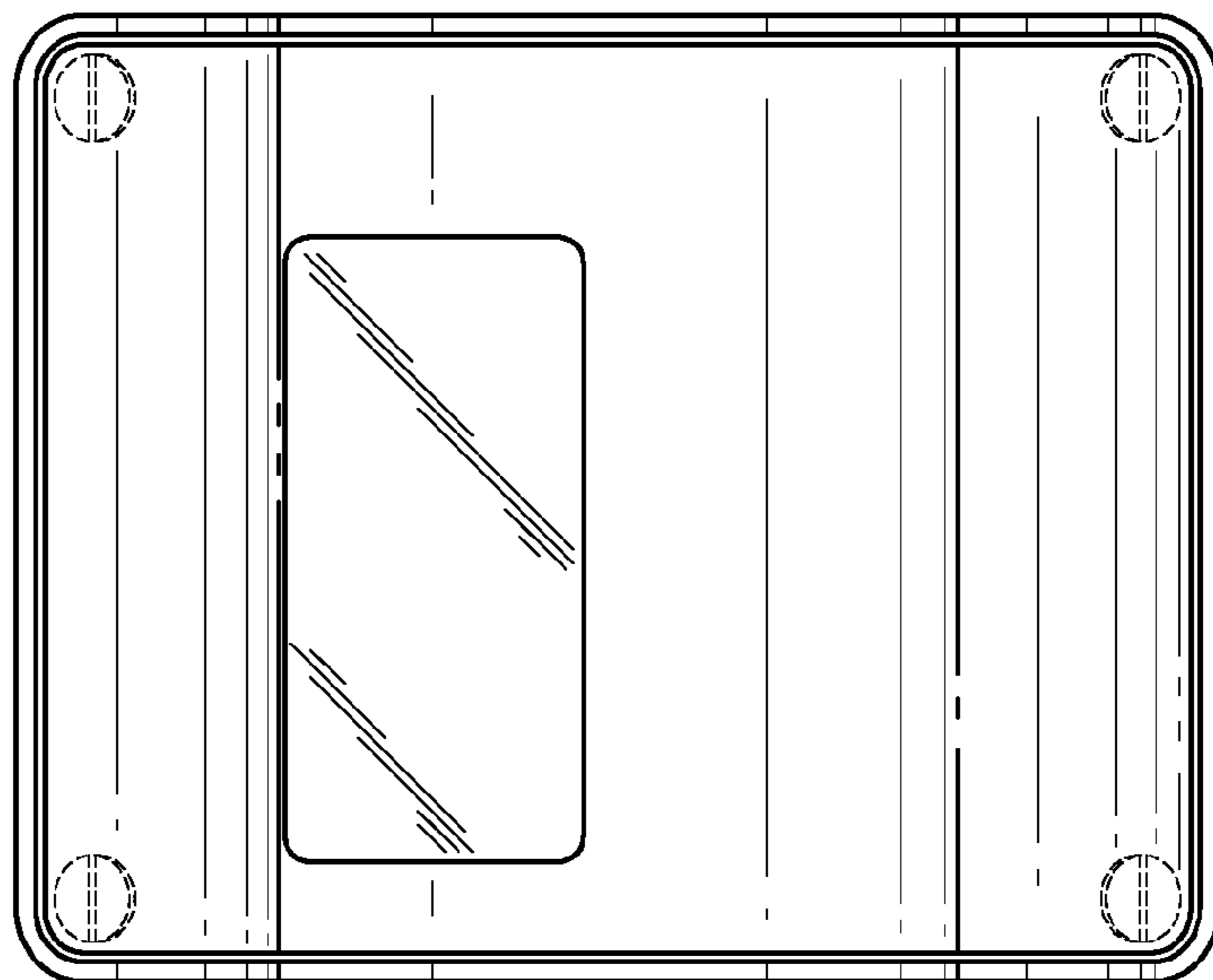


FIG. 3

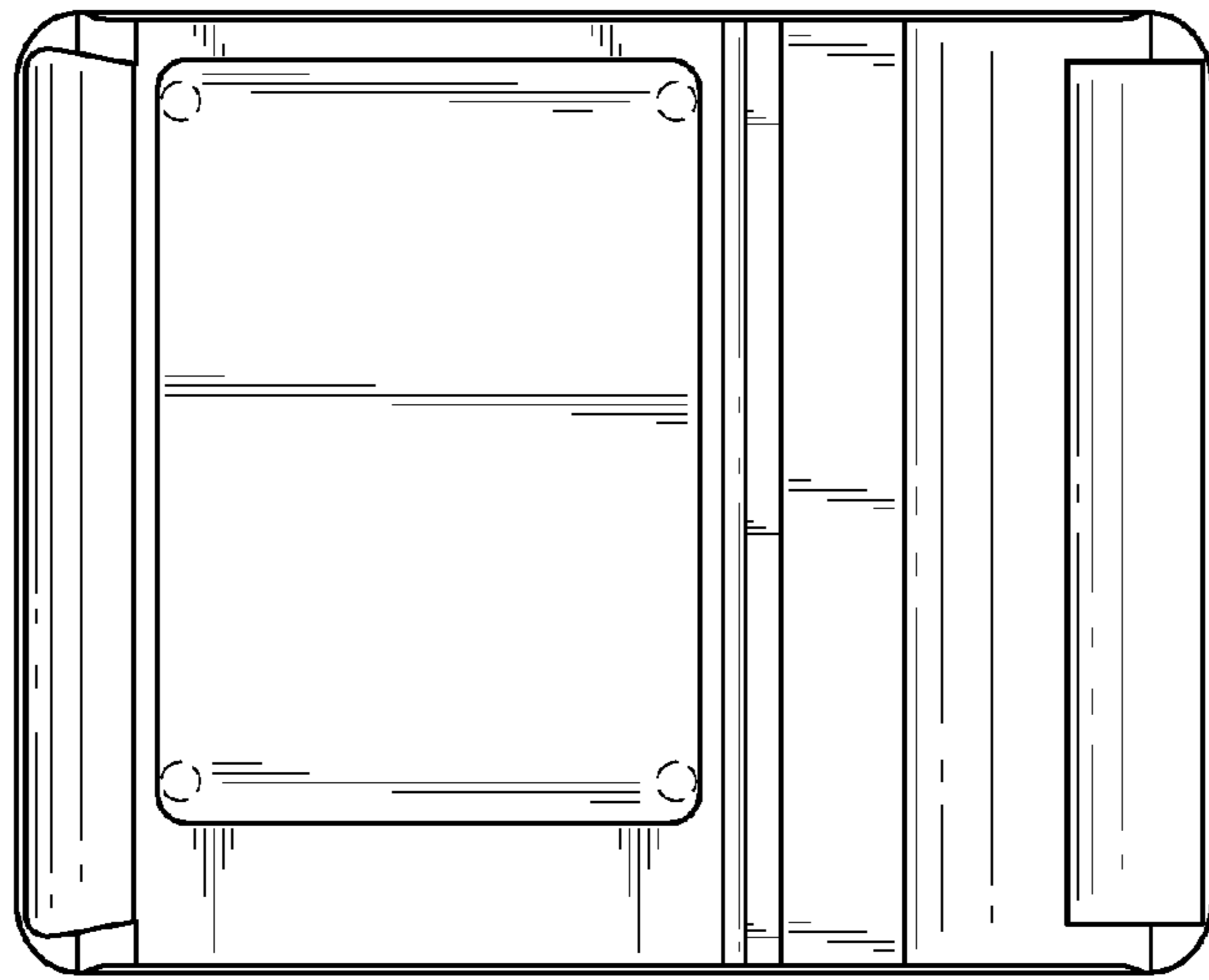


FIG. 4

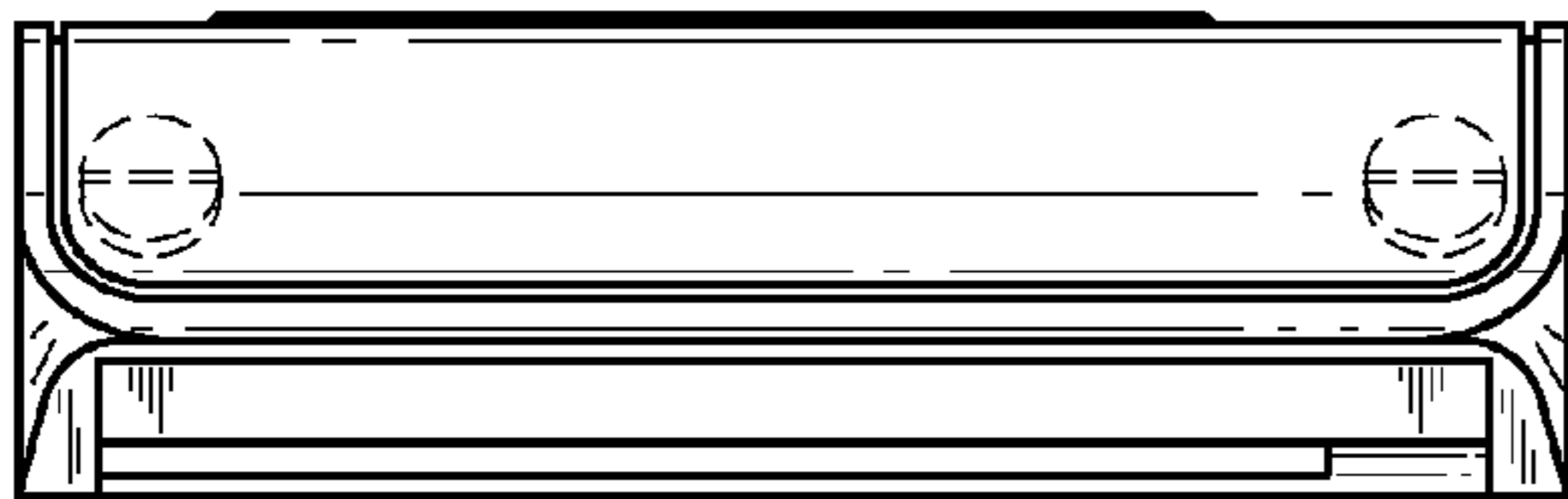


FIG. 5

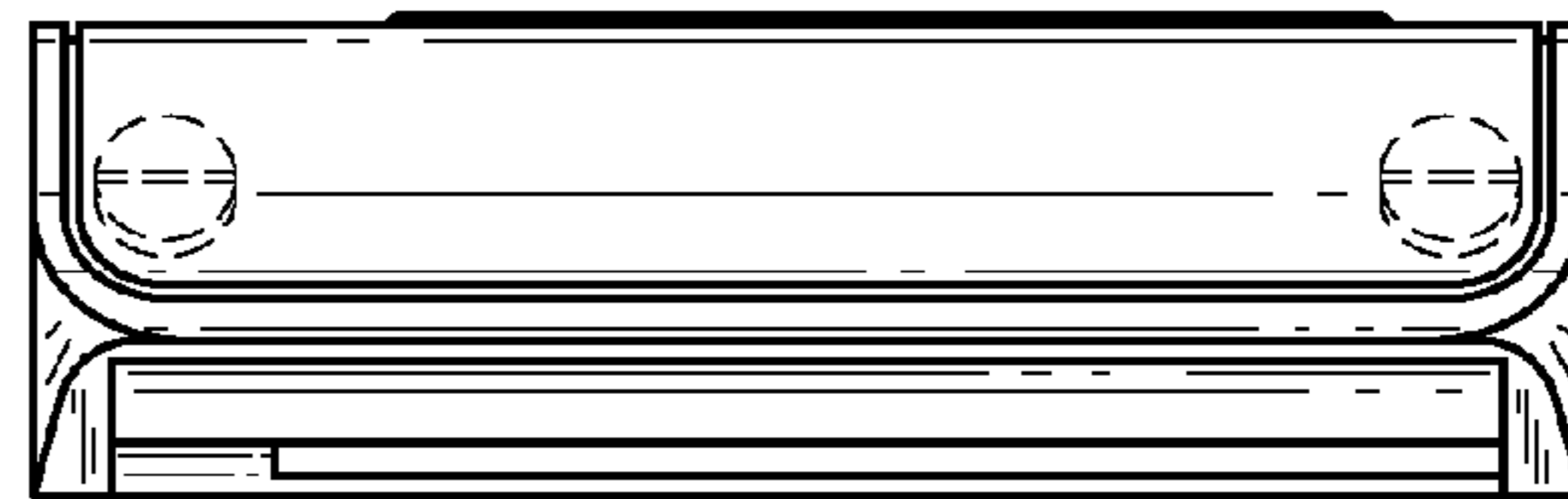


FIG. 6

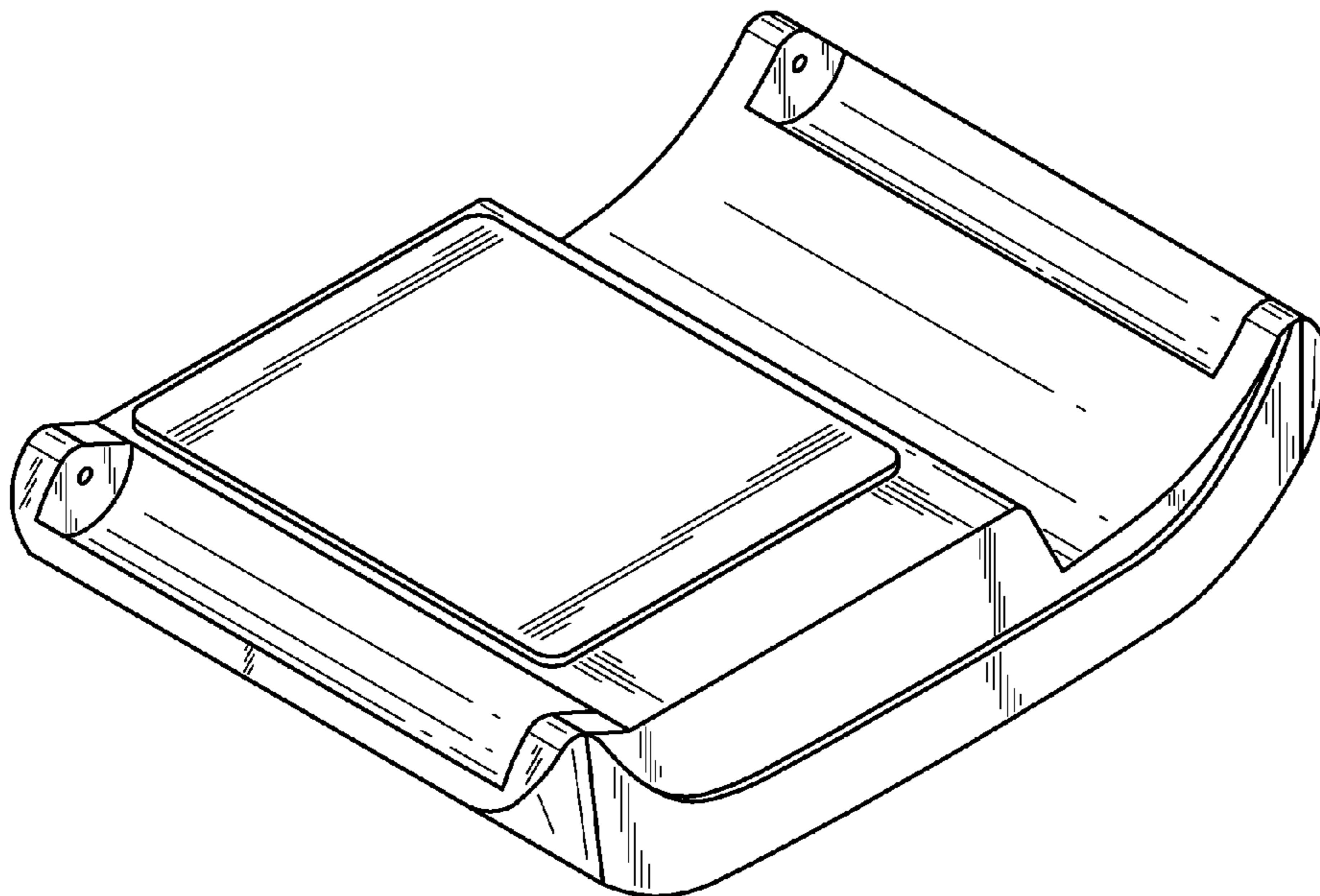


FIG. 7