



US00D665275S

(12) **United States Design Patent**
Araboy

(10) **Patent No.:** **US D665,275 S**

(45) **Date of Patent:** **** Aug. 14, 2012**

(54) **WATCH CASE**

(75) **Inventor:** **Jacob Araboy**, New York, NY (US)

(73) **Assignee:** **Jacob & Co SA**, Versoix (CH)

(**) **Term:** **14 Years**

(21) **Appl. No.:** **29/402,665**

(22) **Filed:** **Sep. 26, 2011**

(51) **LOC (9) Cl.** **10-02**

(52) **U.S. Cl.** **D10/38**

(58) **Field of Classification Search** D10/30-39;
368/276, 281, 282, 285, 21, 223, 228, 232,
368/239-240

See application file for complete search history.

(56) **References Cited**

U.S. PATENT DOCUMENTS

1,046,246	A *	12/1912	Albrecht	368/21
D60,532	S *	3/1922	Gruen	D10/30
1,516,223	A *	11/1924	Wadsworth	368/281
D69,576	S *	3/1926	Eppenstein	D10/39
1,634,447	A *	7/1927	Bowen	368/281
D73,517	S *	9/1927	Gruen	D10/37
D74,503	S *	2/1928	Gruen	D10/30
2,361,563	A *	10/1944	Pellaton	368/80
2,482,660	A *	9/1949	Dewey	224/179
2,535,543	A *	12/1950	Maizlish et al.	368/27
D190,507	S *	6/1961	Ciri	D10/39
3,277,646	A *	10/1966	Howard, Sr.	368/281
D313,187	S *	12/1990	Muller	D10/39

D336,617	S *	6/1993	Perrin et al.	D10/39
D337,067	S *	7/1993	Patterson	D10/106.1
5,285,430	A *	2/1994	Decker	368/281
D359,915	S *	7/1995	Kubo	D10/30
6,567,345	B1 *	5/2003	Furukawa et al.	368/80
D493,375	S *	7/2004	Arabov	D10/39
D524,175	S *	7/2006	Zanette	D10/38
D533,089	S *	12/2006	Arabo	D10/39
D533,791	S *	12/2006	Arabo	D10/38
D536,265	S *	2/2007	Reynoso	D10/31
D567,118	S *	4/2008	Colombo	D10/39
D626,017	S *	10/2010	Ahlstrom	D10/31

* cited by examiner

Primary Examiner — Lucy Lieberman

(74) *Attorney, Agent, or Firm* — Edwards Wildman Palmer LLP; David I. Greenbaum

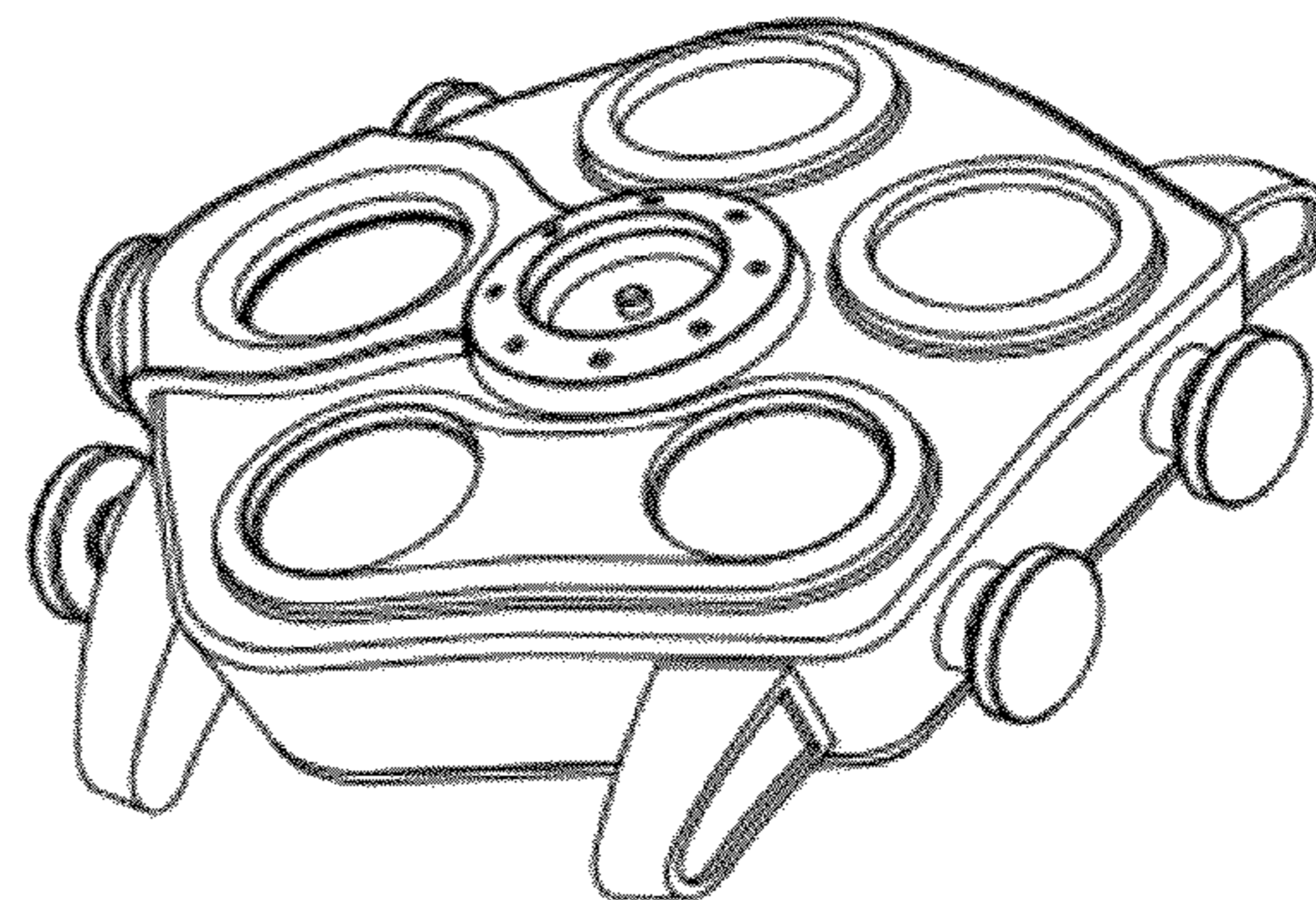
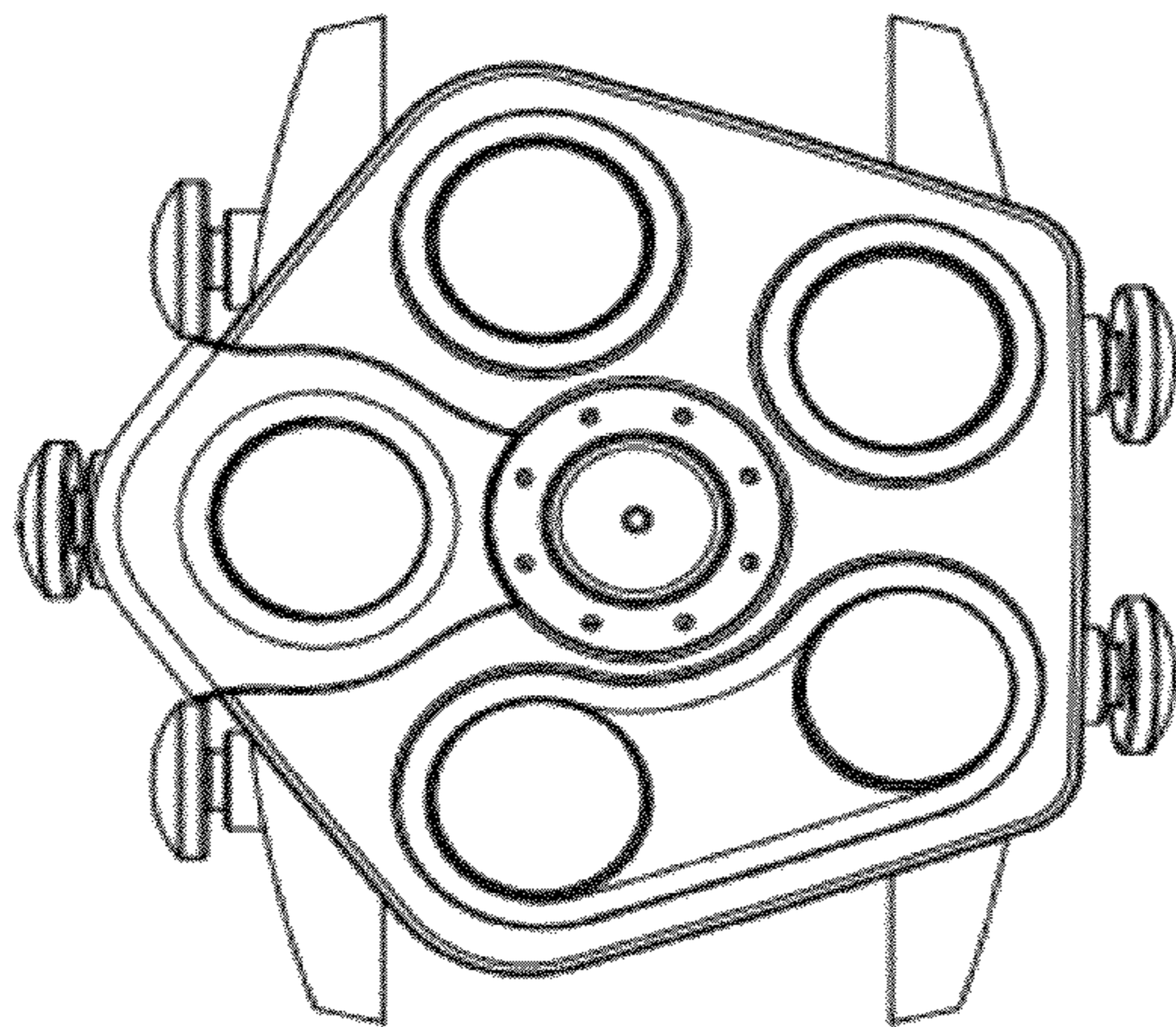
(57) **CLAIM**

The ornamental design for a watch case, as shown and described.

DESCRIPTION

FIG. 1 is a top view of a watch case showing my new design; FIG. 2 is a bottom view of the watch case shown in FIG. 1; FIG. 3 is a front view of the watch case shown in FIG. 1; FIG. 4 is rear view of the watch case shown in FIG. 1; FIG. 5 is a right side view of the watch case shown in FIG. 1; FIG. 6 is a left side view of the watch case shown in FIG. 1; and, FIG. 7 is a front perspective view of the watch case shown in FIG. 1.

1 Claim, 1 Drawing Sheet



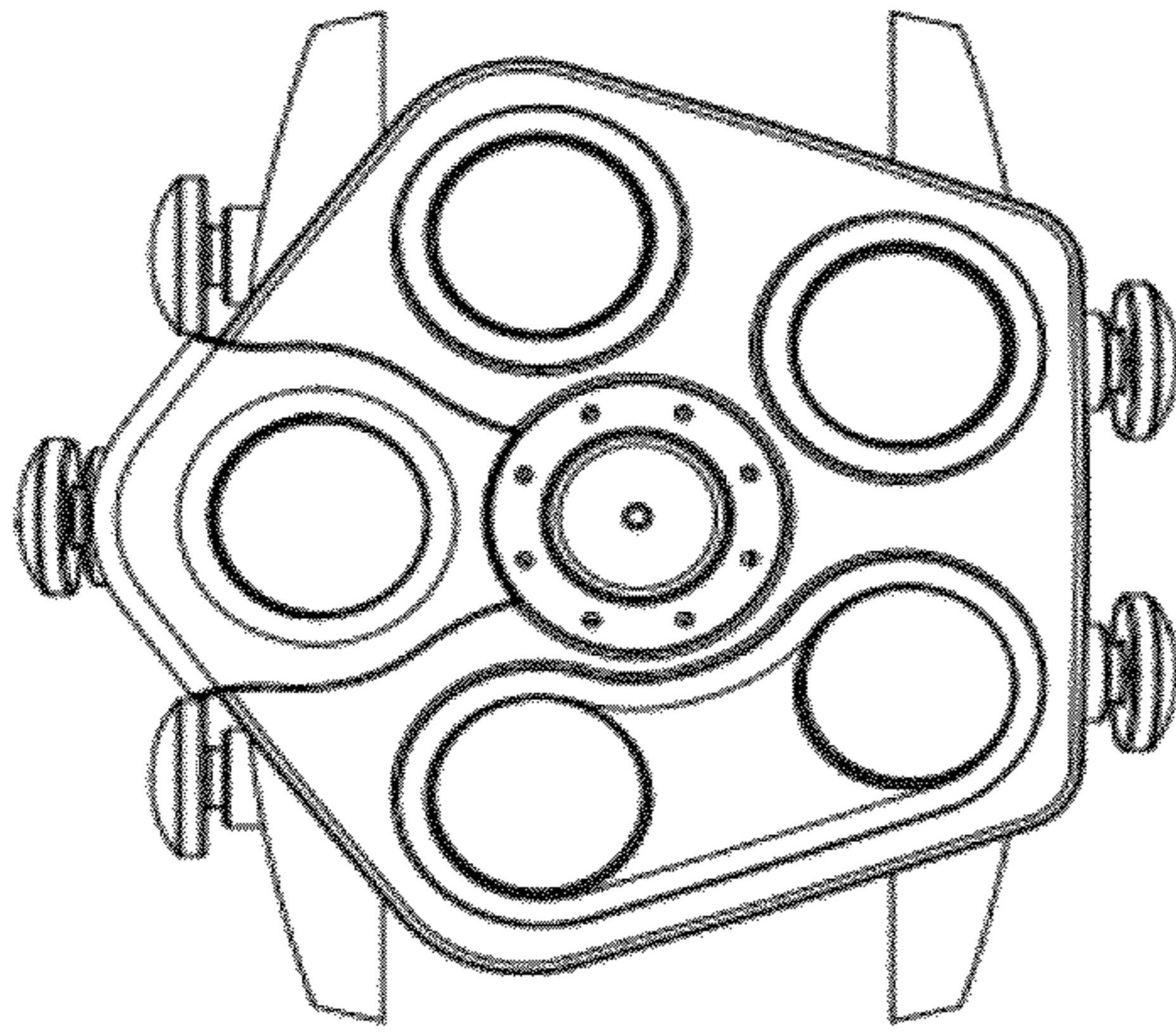


FIG. 1

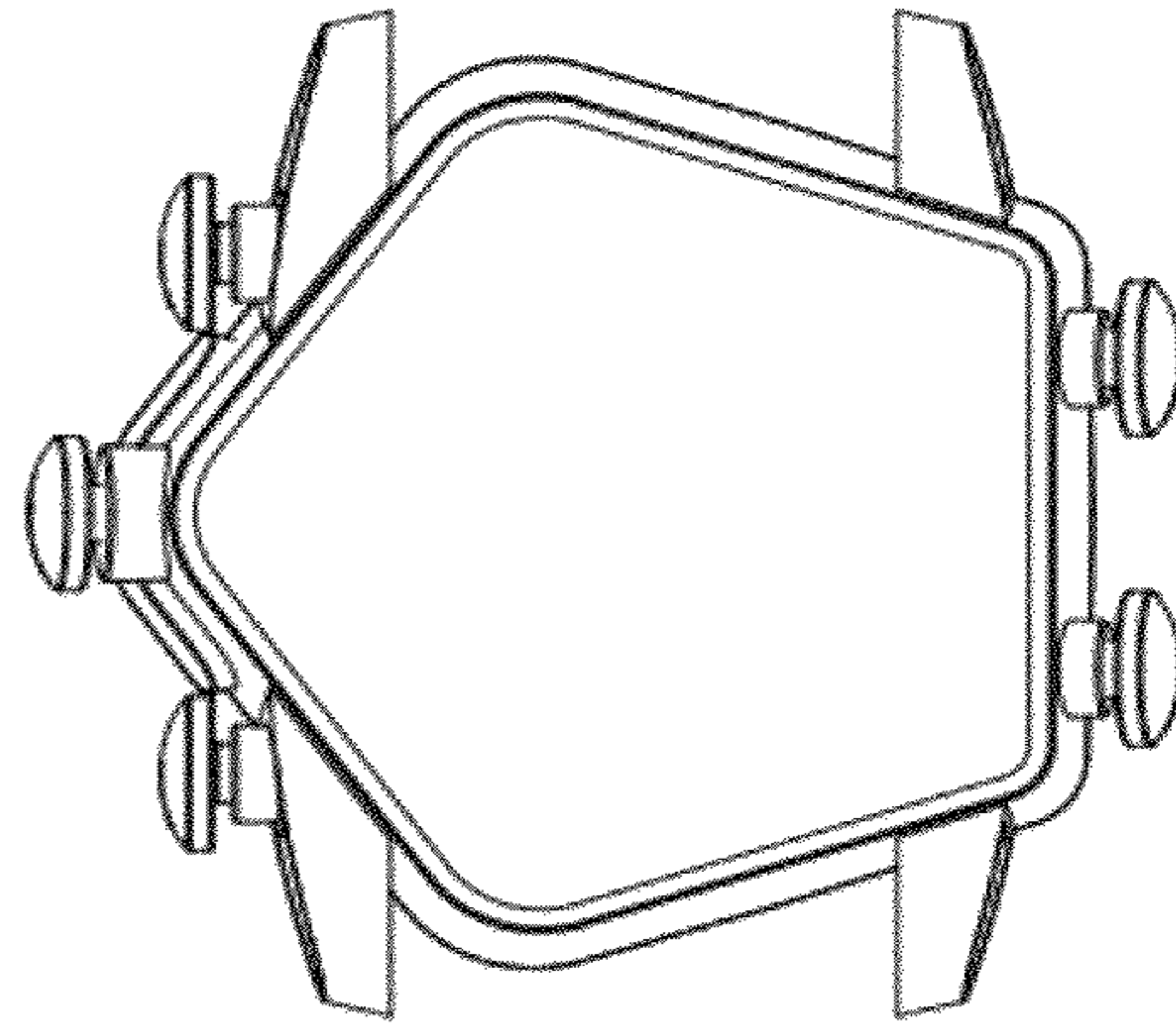


FIG. 2

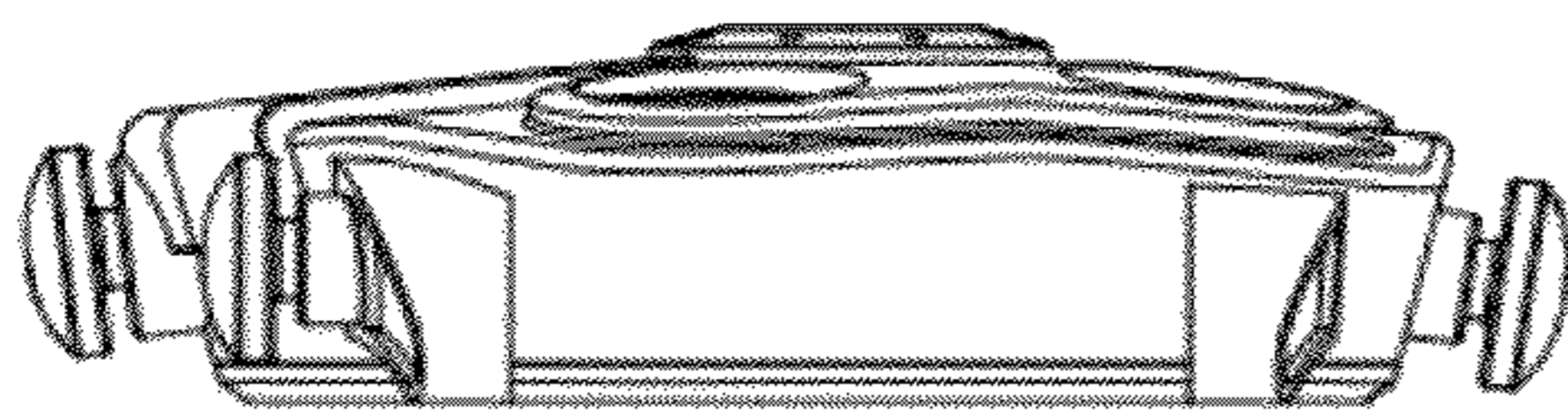


FIG. 3

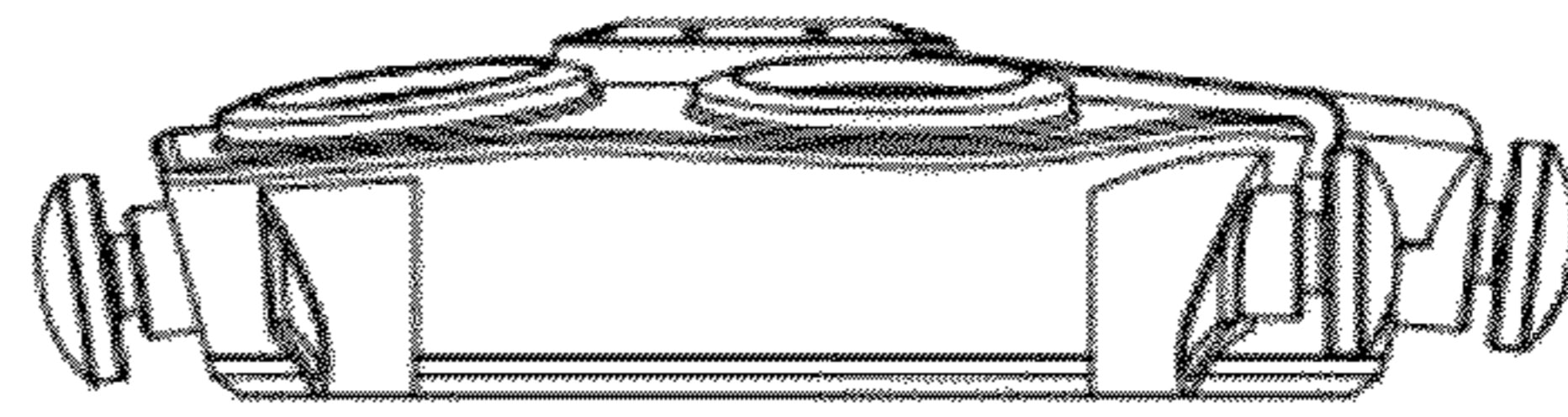


FIG. 4

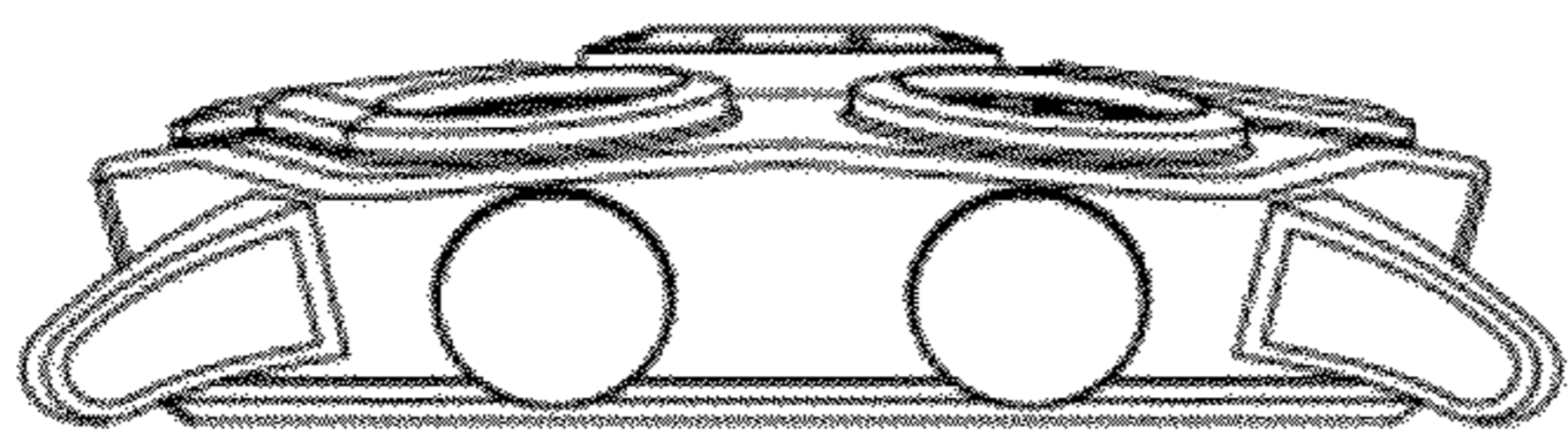


FIG. 5

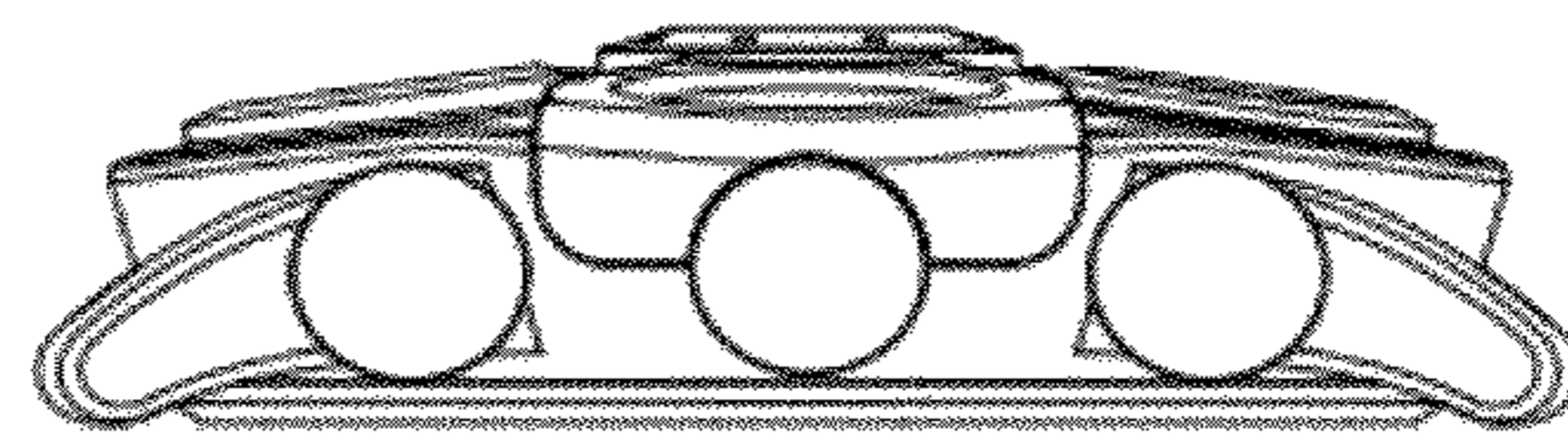


FIG. 6

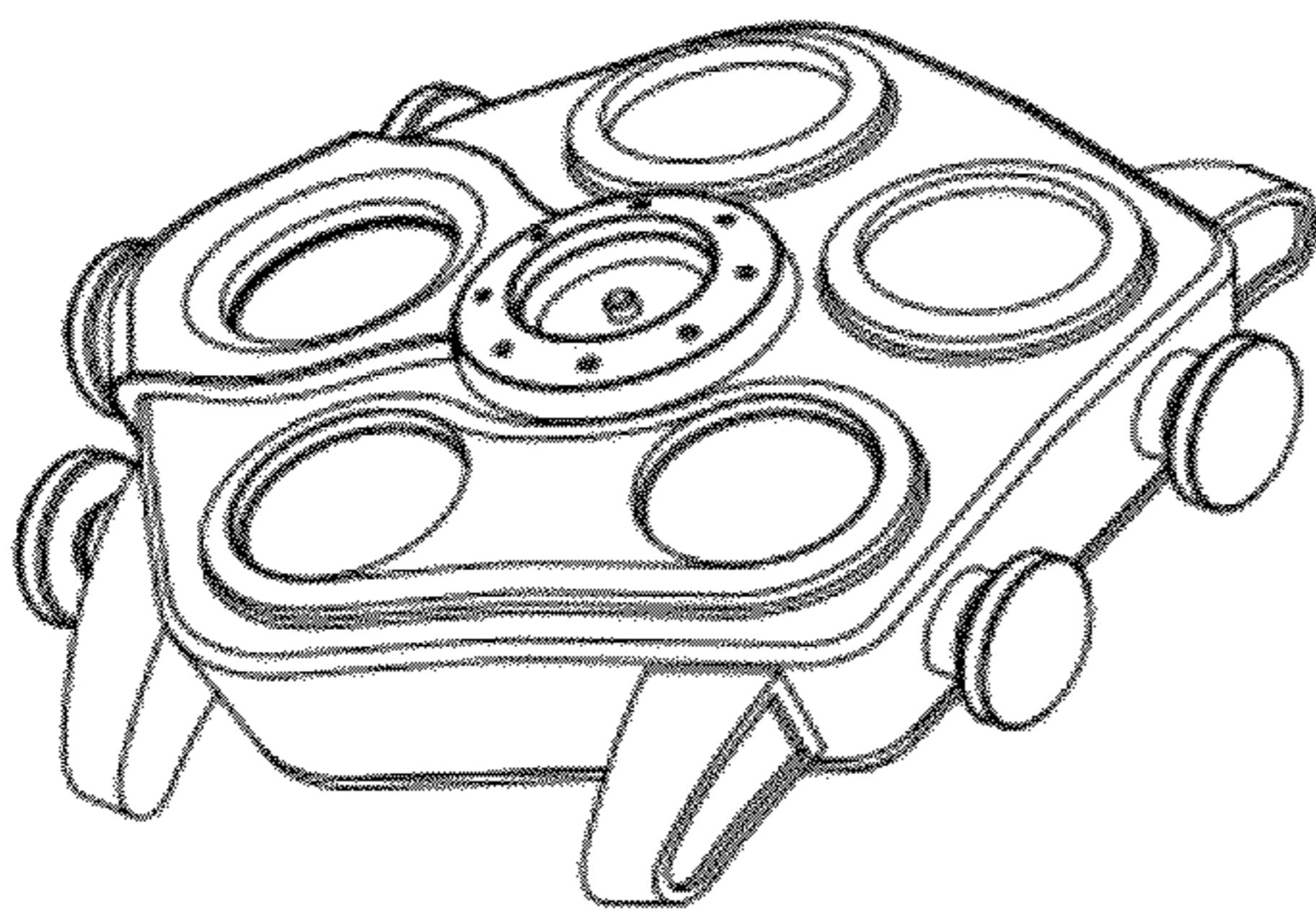


FIG. 7

UNITED STATES PATENT AND TRADEMARK OFFICE
CERTIFICATE OF CORRECTION

PATENT NO. : D665,275 S
APPLICATION NO. : 29/402665
DATED : August 14, 2012
INVENTOR(S) : Jacob Arabov

Page 1 of 1

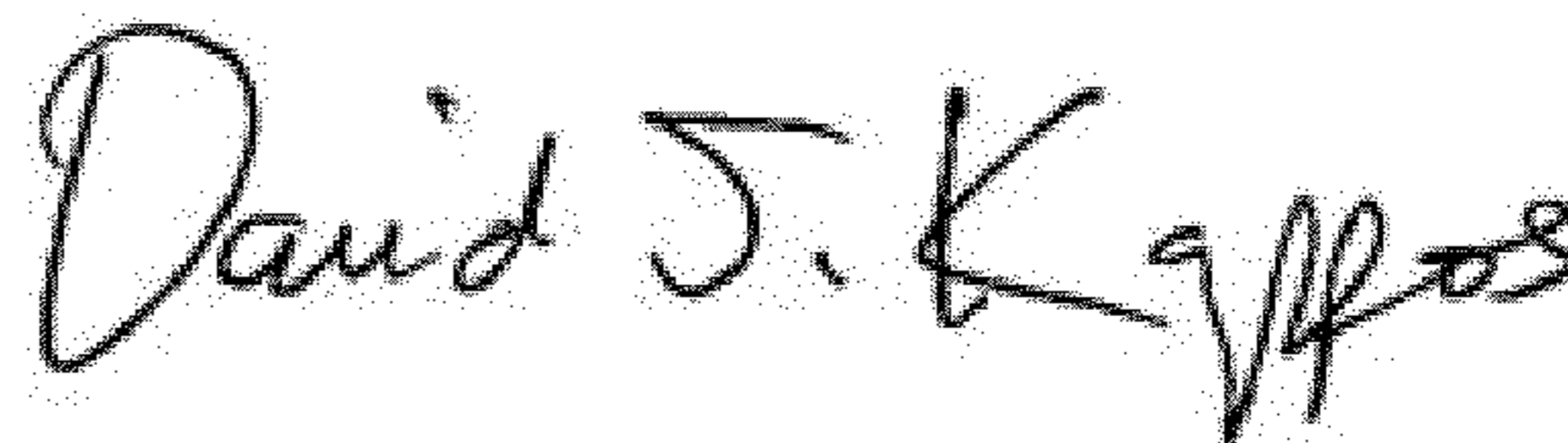
It is certified that error appears in the above-identified patent and that said Letters Patent is hereby corrected as shown below:

On the Title page,

(12) Inventor should read: **Arabov**

(75) Inventor's Name should read: **Jacob Arabov**, New York, NY (US)

Signed and Sealed this
Twenty-fifth Day of September, 2012

A handwritten signature in black ink that reads "David J. Kappos". The signature is written in a cursive, slightly slanted style.

David J. Kappos
Director of the United States Patent and Trademark Office