



US00D665274S

(12) **United States Design Patent**
Arabov

(10) **Patent No.:** **US D665,274 S**

(45) **Date of Patent:** **** Aug. 14, 2012**

(54) **WATCH CASE**

(75) **Inventor:** **Jacob Arabov**, New York, NY (US)

(73) **Assignee:** **Jacob & Co SA**, Versoix (CH)

(**) **Term:** **14 Years**

(21) **Appl. No.:** **29/402,655**

(22) **Filed:** **Sep. 26, 2011**

(51) **LOC (9) Cl.** **10-02**

(52) **U.S. Cl.** **D10/38**

(58) **Field of Classification Search** D10/30-39,
D10/123-126; 368/276, 281, 282, 285, 21,
368/223, 228, 232, 239-240

See application file for complete search history.

(56) **References Cited**

U.S. PATENT DOCUMENTS

D60,532	S	*	3/1922	Gruen	D10/30
1,509,855	A	*	9/1924	Wadsworth et al.	24/265 WS
1,516,223	A	*	11/1924	Wadsworth	368/281
D69,576	S	*	3/1926	Eppenstein	D10/39
1,634,447	A	*	7/1927	Bowen	368/281
D74,503	S	*	2/1928	Gruen	D10/30
D136,341	S	*	9/1943	Dupin	D11/86
2,482,660	A	*	9/1949	Dewey	224/179
2,736,165	A	*	2/1956	Piquerez	368/296
D190,507	S	*	6/1961	Ciri	D10/39
D296,994	S	*	8/1988	Lauper	D10/39
D313,187	S	*	12/1990	Muller	D10/39
D327,652	S	*	7/1992	Brodmann	D10/30
D336,617	S	*	6/1993	Perrin et al.	D10/39
D337,067	S	*	7/1993	Patterson	D10/106.1
D340,649	S	*	10/1993	Iwamura	D10/32
5,285,430	A	*	2/1994	Decker	368/281
D359,915	S	*	7/1995	Kubo	D10/30
D437,790	S	*	2/2001	Isley et al.	D10/31
D454,799	S	*	3/2002	Wa	D10/30
D509,149	S	*	9/2005	Sogoyan	D10/30

D524,175	S	*	7/2006	Zanette	D10/38
D536,265	S	*	2/2007	Reynoso	D10/31
D626,017	S	*	10/2010	Ahlstrom	D10/31
D628,095	S	*	11/2010	Monachon	D10/39
D630,531	S	*	1/2011	Nunes	D10/38

* cited by examiner

Primary Examiner — Lucy Lieberman

(74) *Attorney, Agent, or Firm* — Edwards Wildman Palmer LLP; David I. Greenbaum

(57) **CLAIM**

The ornamental design for a watch case, as shown and described.

DESCRIPTION

FIG. 1 is a top view of a first embodiment of a watch case showing my new design;

FIG. 2 is a top view of a second embodiment of the watch case shown in FIG. 1;

FIG. 3 is a bottom view of the first and second embodiment of the watch case shown in FIGS. 1 and 2;

FIG. 4 is front view of the first and second embodiment of the watch case shown in FIGS. 1 and 2;

FIG. 5 is a rear view of the first and second embodiment of the watch case shown in FIGS. 1 and 2;

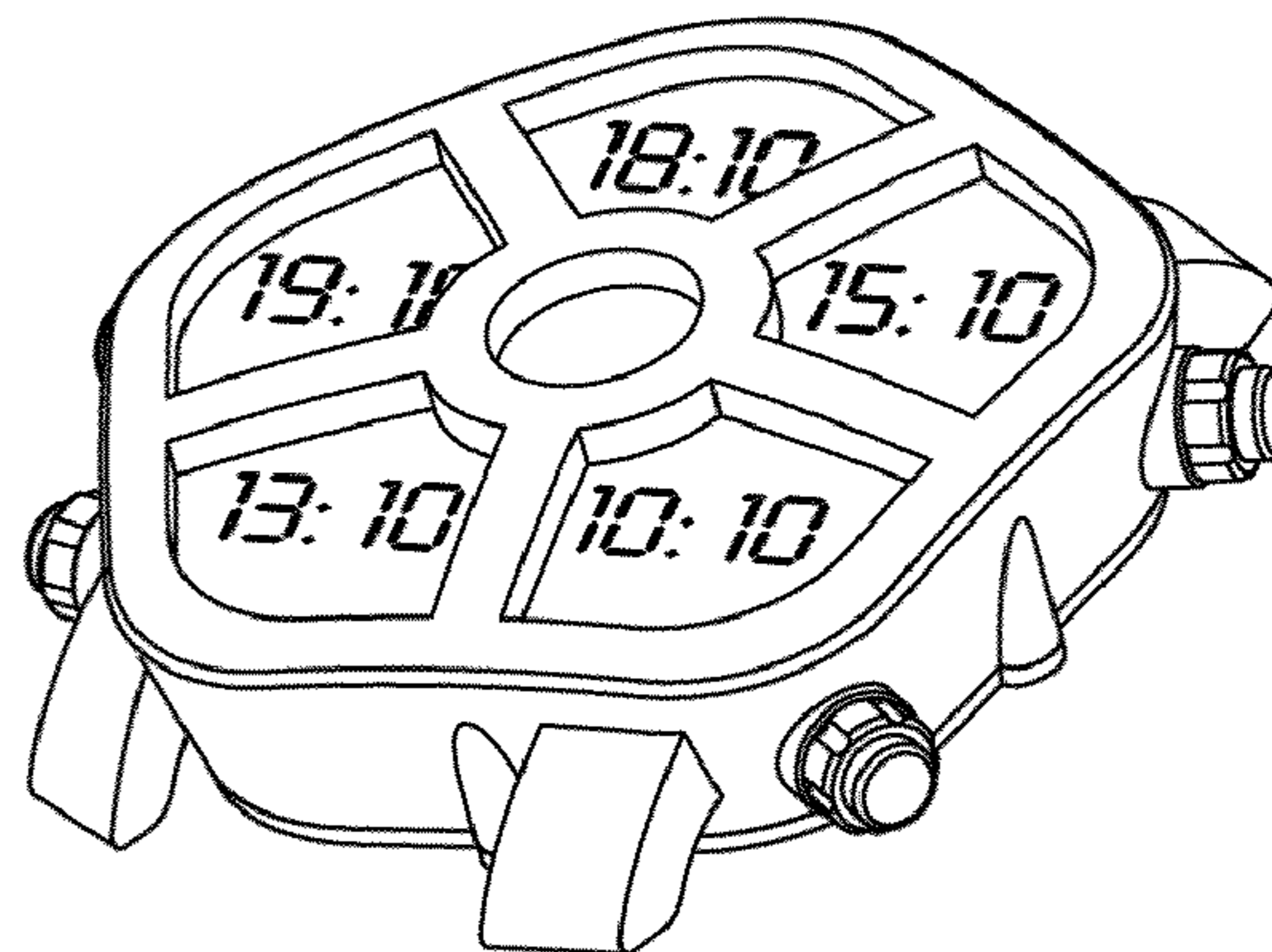
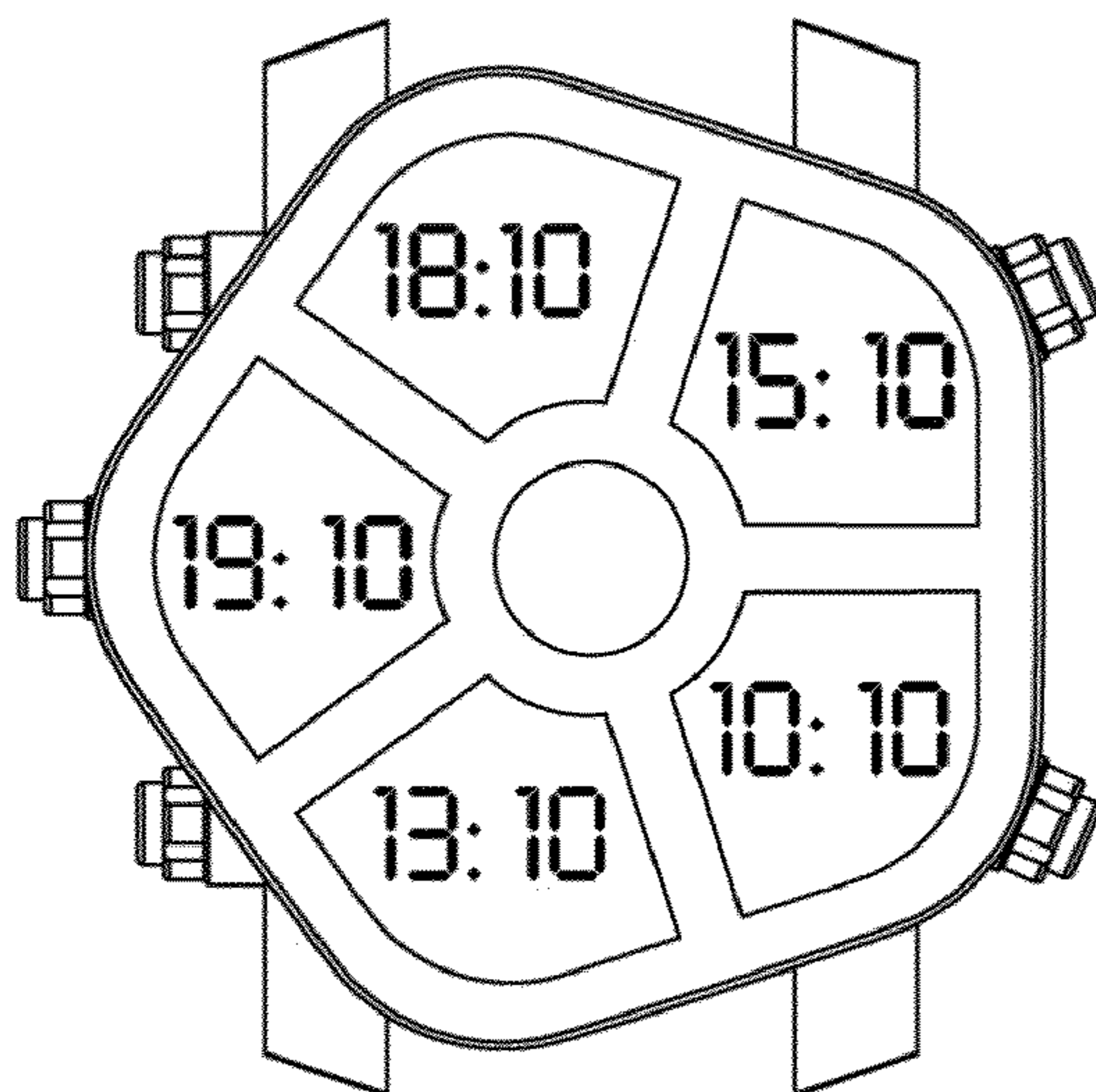
FIG. 6 is a right side view of the first and second embodiment of the watch case shown in FIGS. 1 and 2;

FIG. 7 is a left side view of the first and second embodiment of the watch case shown in FIGS. 1 and 2;

FIG. 8 is a front perspective view of the first embodiment of the watch case shown in FIG. 1; and,

FIG. 9 is a front perspective view of the second embodiment of the watch case shown in FIGS. 1 and 2.

1 Claim, 2 Drawing Sheets



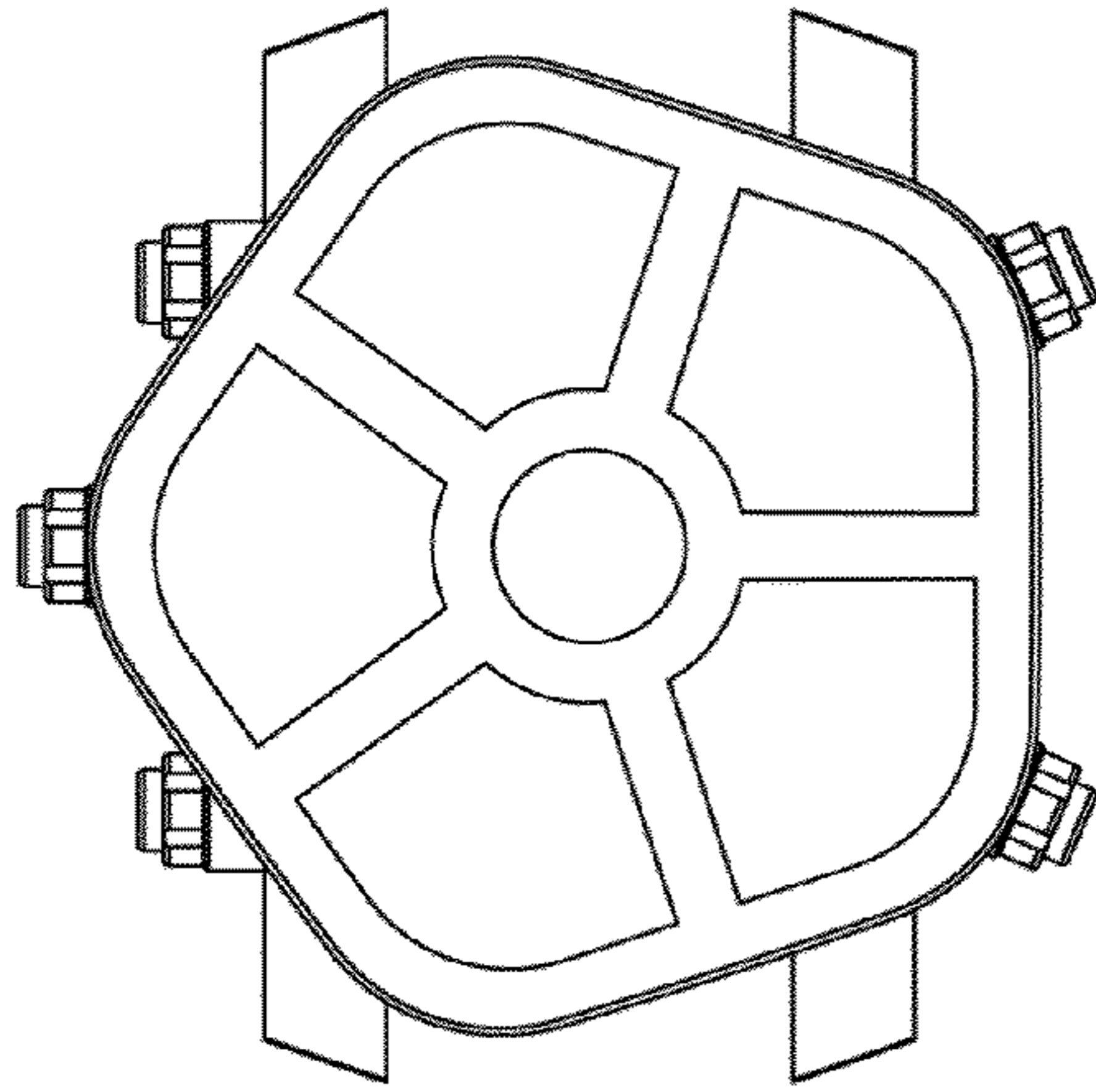


FIG. 1

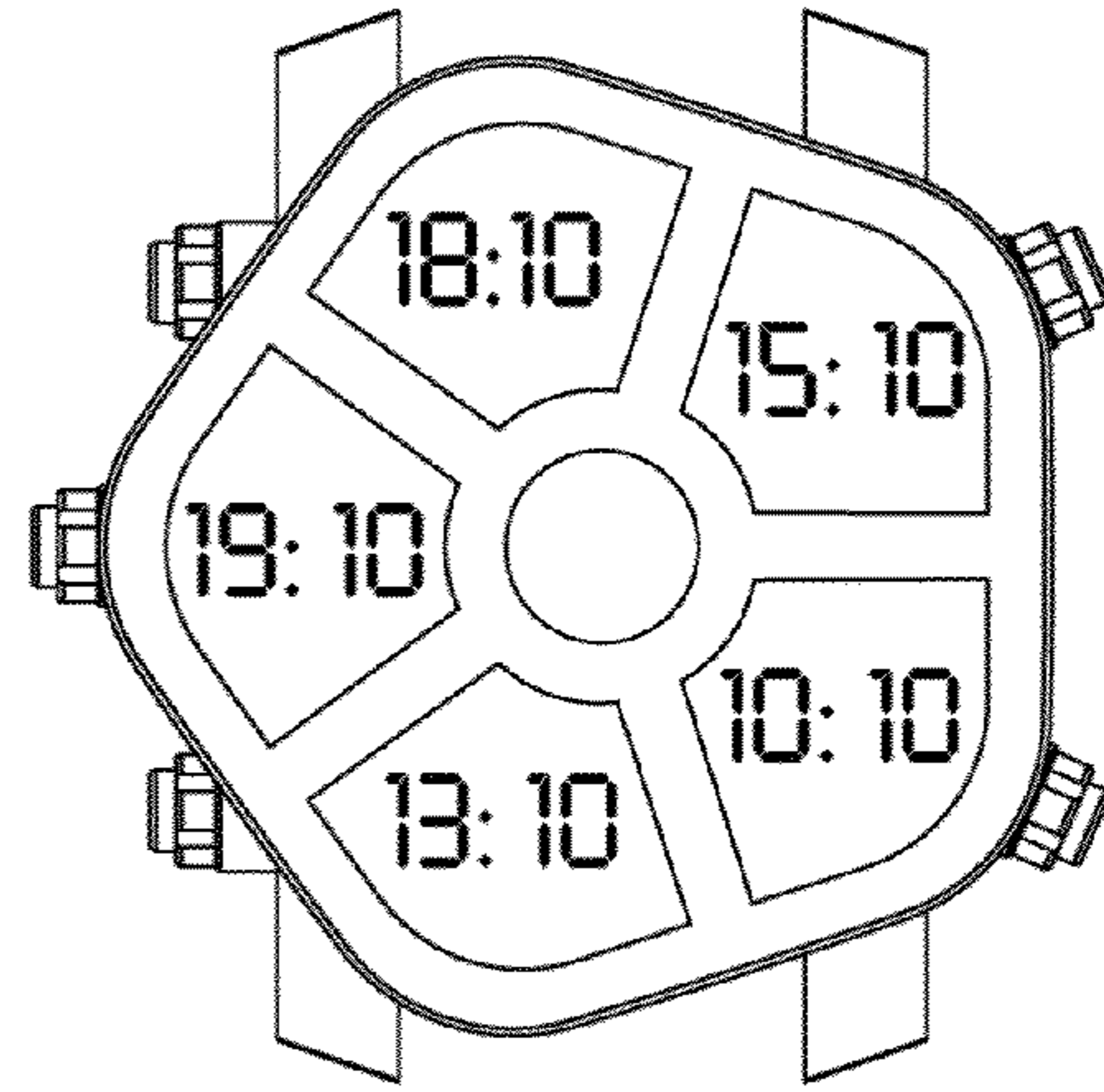


FIG. 2

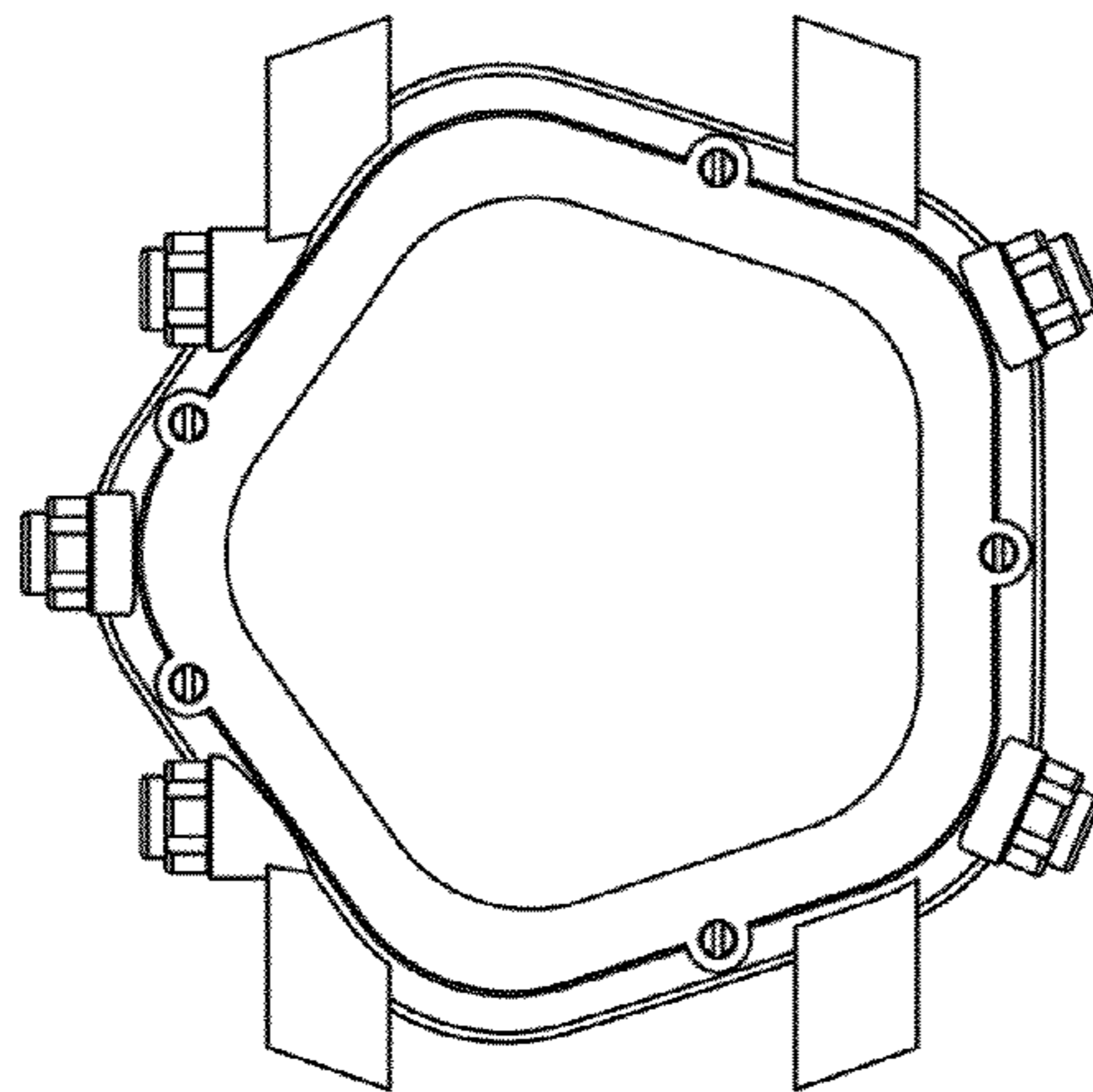


FIG. 3

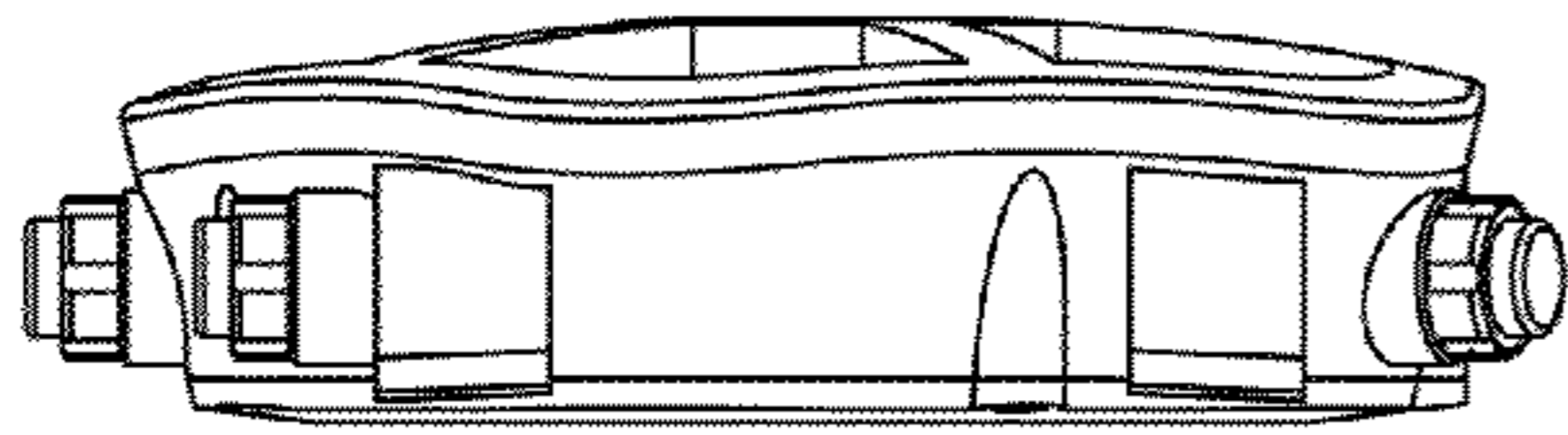


FIG. 4

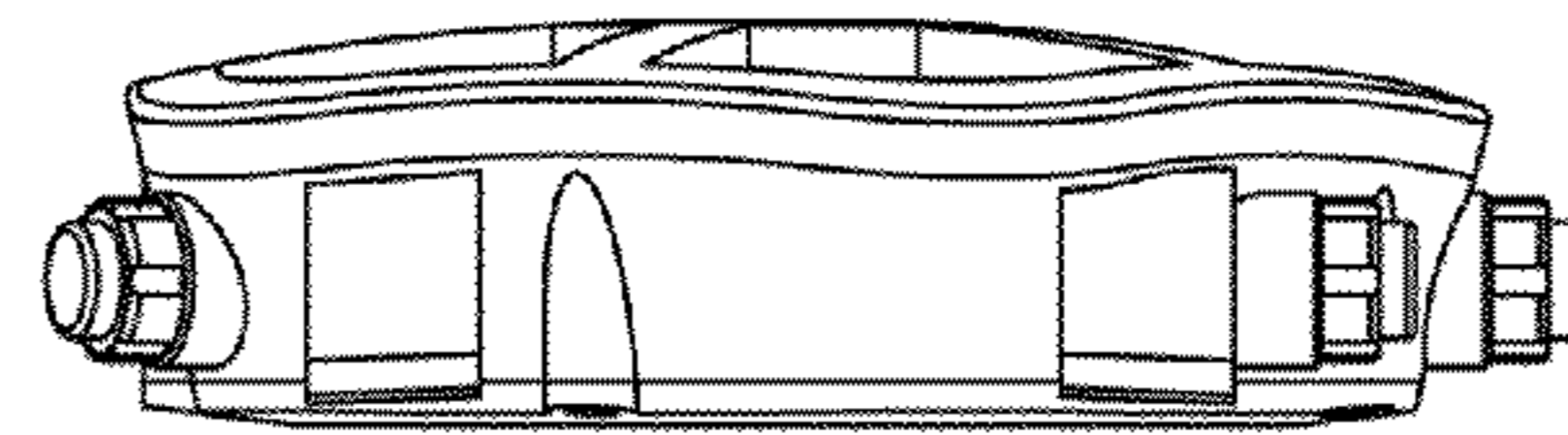


FIG. 5

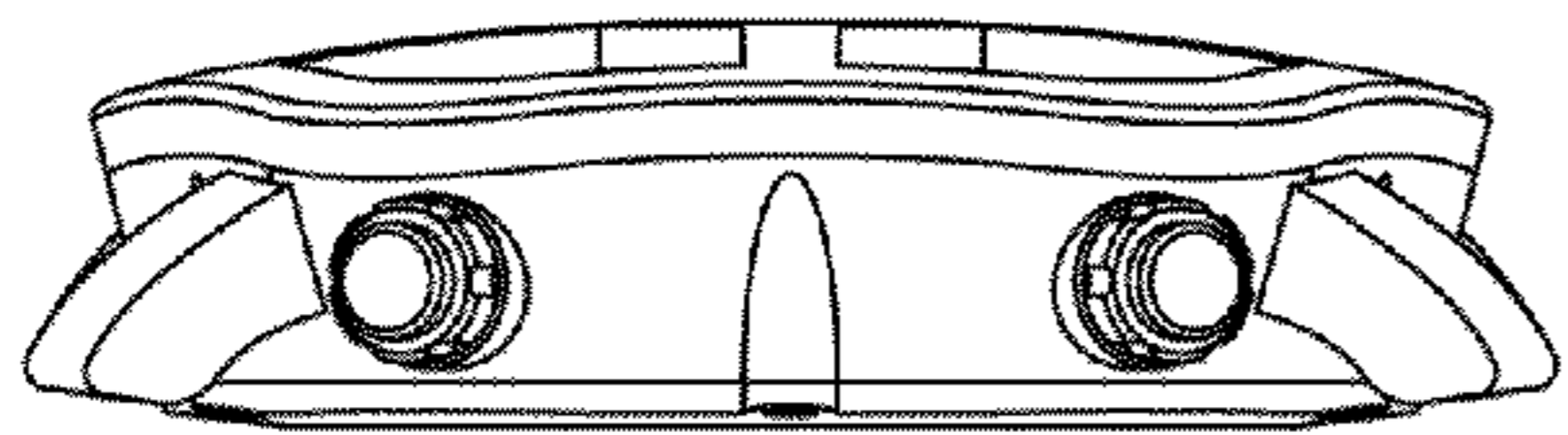


FIG. 6

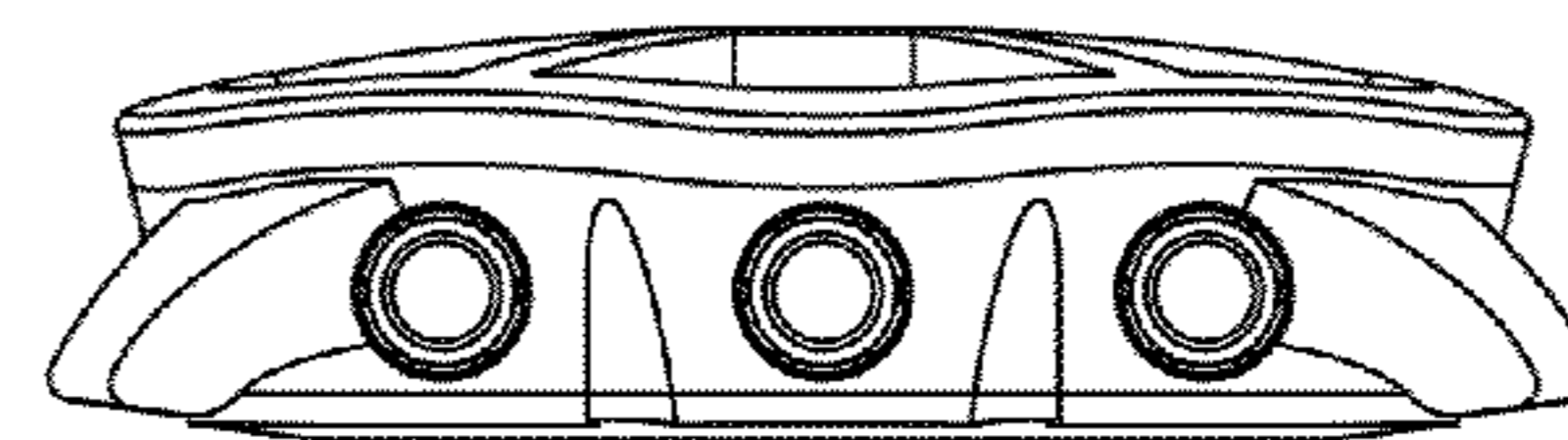


FIG. 7

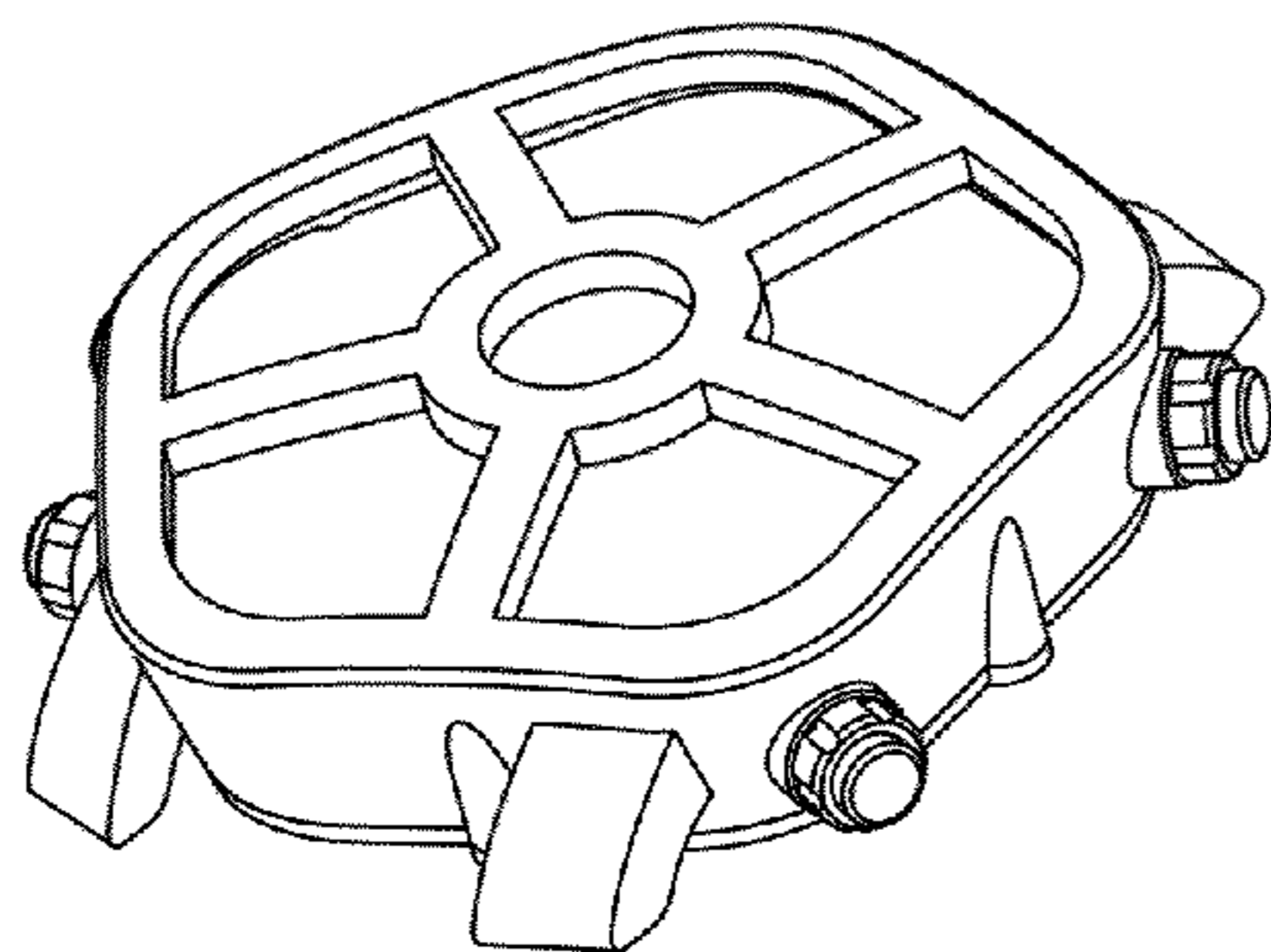


FIG. 8

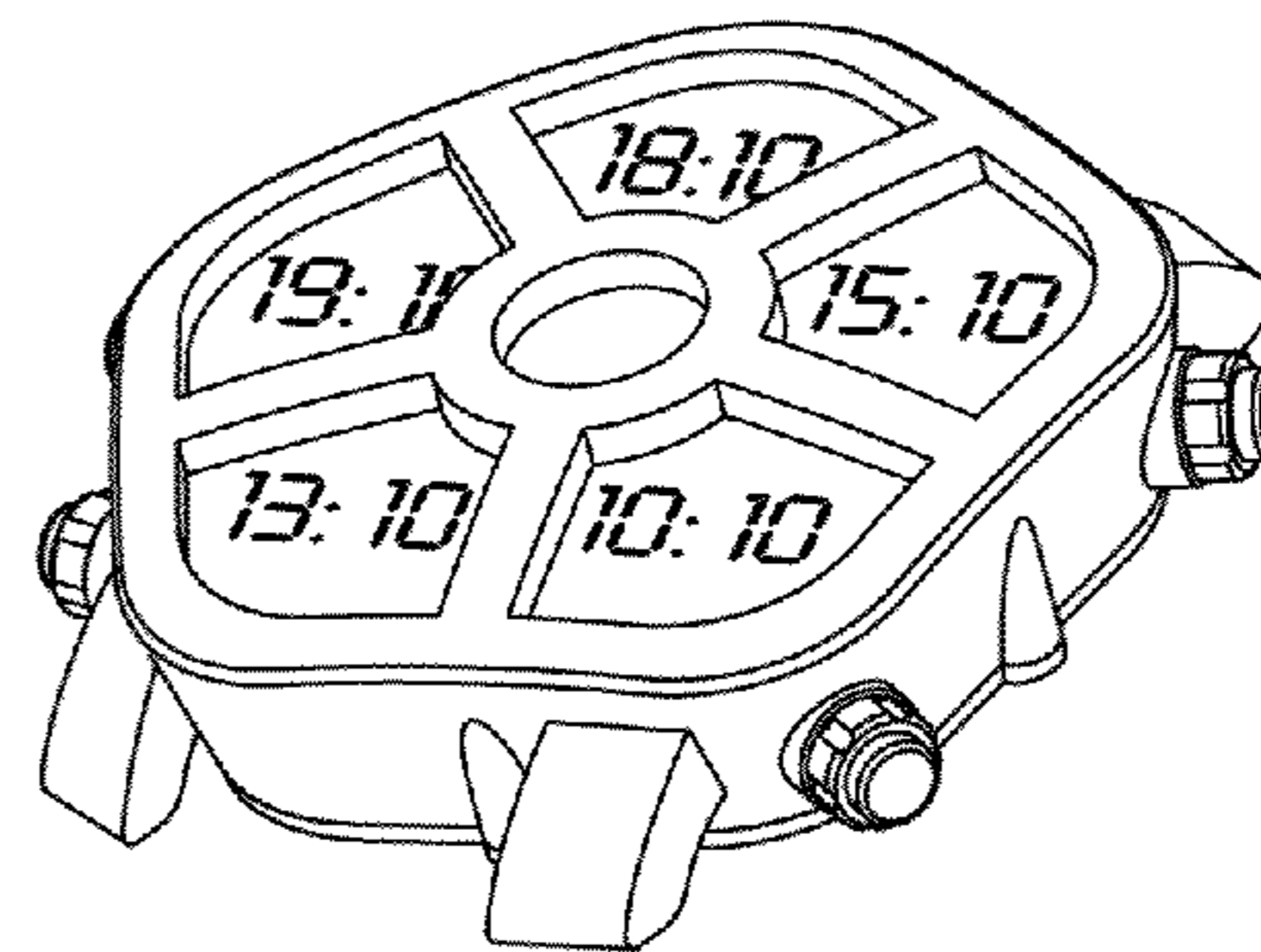


FIG. 9