



US00D665273S

(12) **United States Design Patent**  
**Castelletti**

(10) **Patent No.:** **US D665,273 S**

(45) **Date of Patent:** **\*\* Aug. 14, 2012**

(54) **PLASTIC CONTAINER FOR CIGARETTE MOUTHPIECES**

(75) Inventor: **Enrico Castelletti**, Como (IT)

(73) Assignee: **David Ross International S.r.l.**, Como (IT)

(\*\*) Term: **14 Years**

(21) Appl. No.: **29/362,263**

(22) Filed: **May 21, 2010**

(30) **Foreign Application Priority Data**

Nov. 23, 2009 (EM) ..... 001179527

(51) **LOC (9) Cl.** ..... **09-03**

(52) **U.S. Cl.** ..... **D9/758**

(58) **Field of Classification Search** ..... D9/758,  
D9/756, 759, 760, 414, 424, 425, 432; 206/378,  
206/443, 350

See application file for complete search history.

(56) **References Cited**

**U.S. PATENT DOCUMENTS**

D201,846 S \* 8/1965 Weiss ..... D9/758  
3,306,462 A \* 2/1967 Da Cruz ..... 211/49.1  
D259,010 S \* 4/1981 Klatt ..... D7/504  
D274,441 S \* 6/1984 Stevenson ..... D21/392  
D293,193 S \* 12/1987 Vandervoort ..... D7/357

D315,868 S \* 4/1991 Gelardi et al. .... D9/756  
D320,340 S \* 10/1991 Rademacher ..... D9/760  
D326,409 S \* 5/1992 Krueger et al. .... D9/756  
5,394,986 A \* 3/1995 Oya et al. .... 206/445  
5,417,333 A \* 5/1995 Flum ..... 211/59.2  
D361,936 S \* 9/1995 Bankier ..... D9/456  
5,456,359 A \* 10/1995 Horn ..... 206/378  
D370,177 S \* 5/1996 Bankier ..... D9/456  
D378,895 S \* 4/1997 Bankier ..... D9/760  
D482,735 S \* 11/2003 Evans ..... D21/392  
6,648,154 B2 \* 11/2003 Awalt ..... 211/85.4

\* cited by examiner

*Primary Examiner* — Mark Goodwin

(74) *Attorney, Agent, or Firm* — Young & Thompson

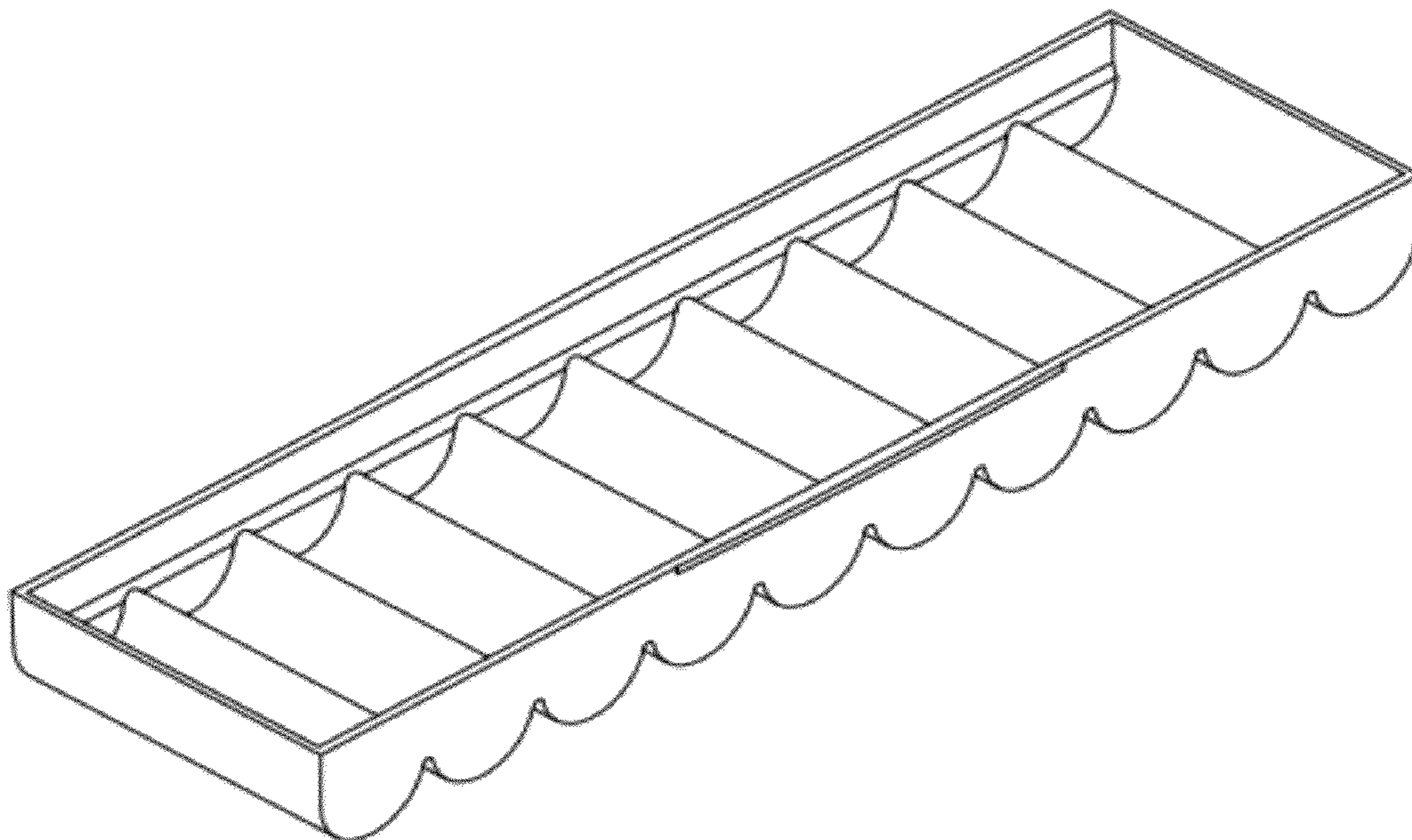
(57) **CLAIM**

The ornamental design for a plastic container for cigarette mouthpieces, as shown and described.

**DESCRIPTION**

FIG. 1 is a top perspective view of a plastic container for cigarette mouthpieces, showing my new design;  
FIG. 2 is a bottom perspective view thereof;  
FIG. 3 is a top plan view thereof;  
FIG. 4 is a side elevational view thereof, the side opposite that shown in FIG. 4 being identical thereto;  
FIG. 5 is a bottom plan view thereof; and,  
FIG. 6 is an end view thereof, the view from the end opposite that in FIG. 6 being the mirror image thereof.

**1 Claim, 2 Drawing Sheets**



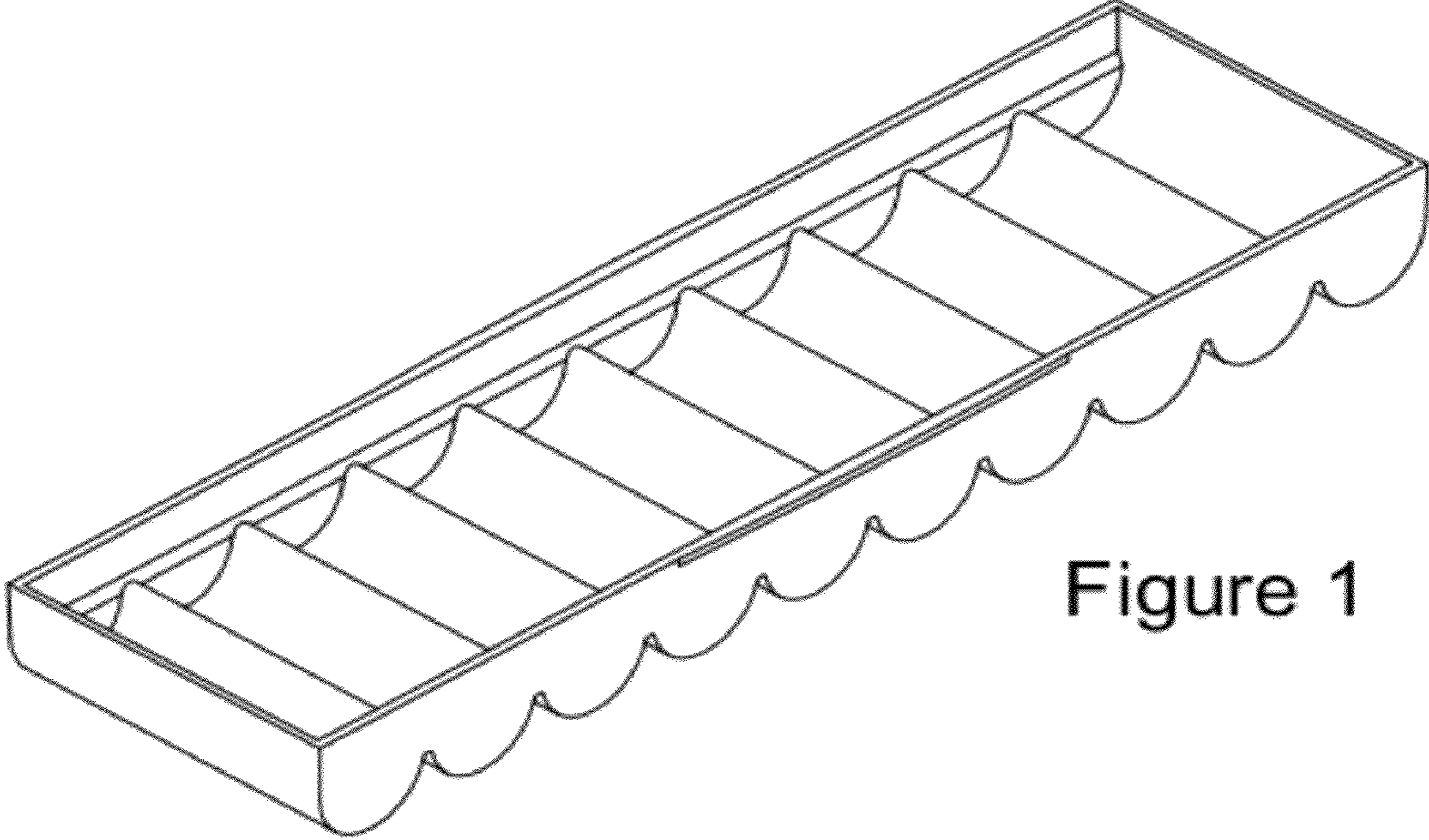


Figure 1

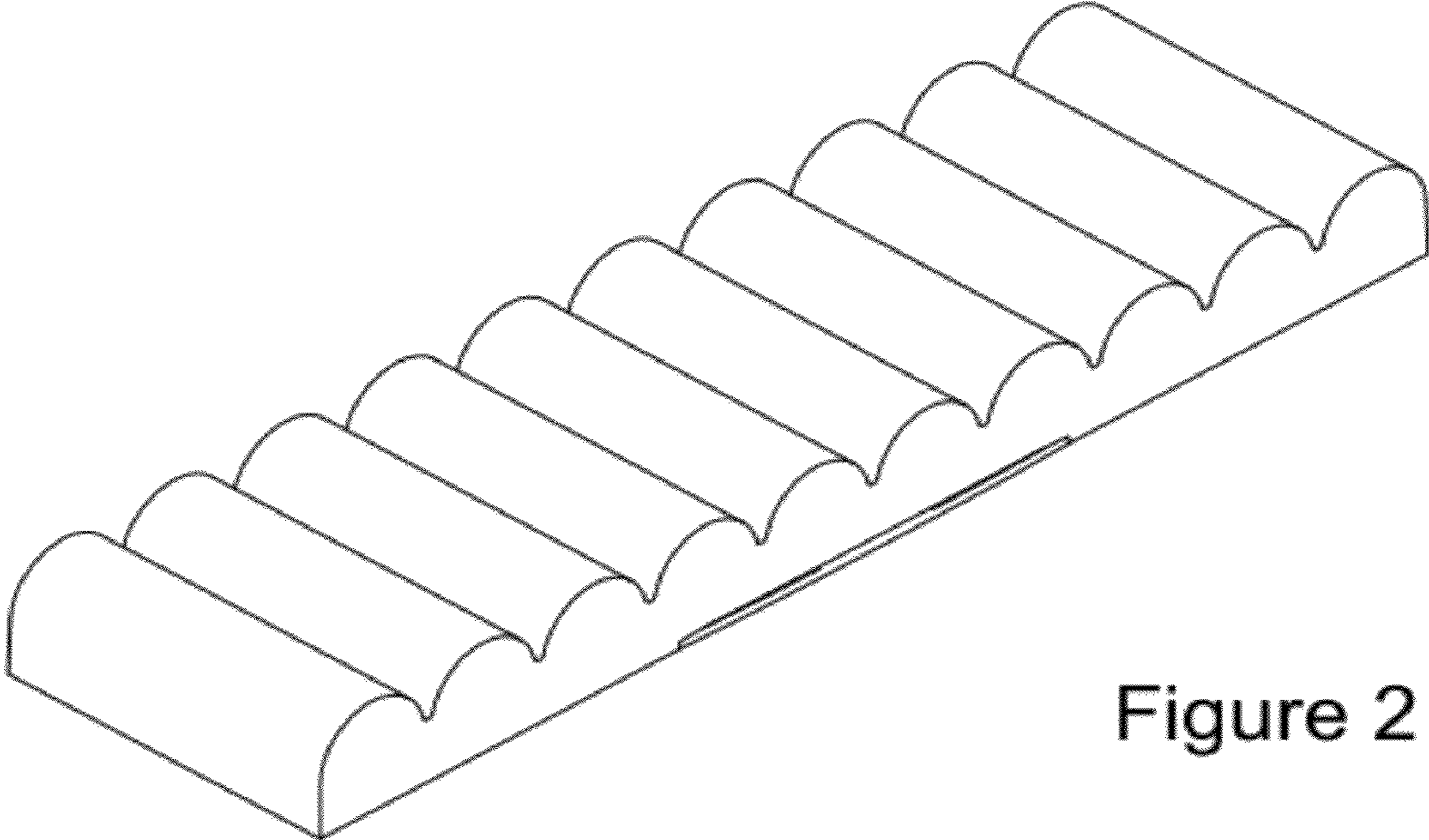


Figure 2

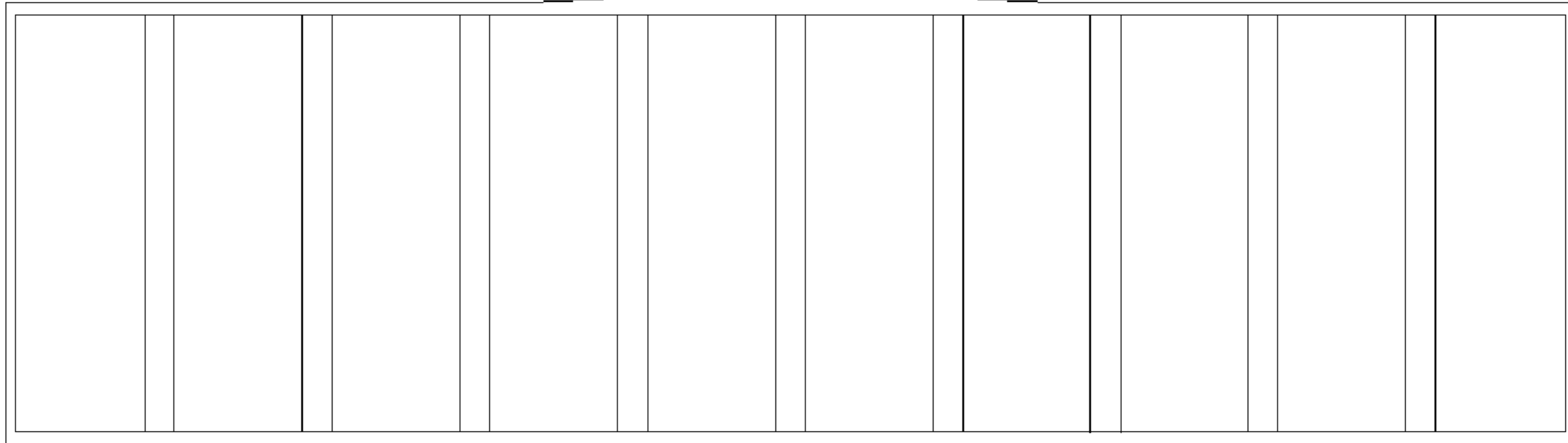


Figure 3

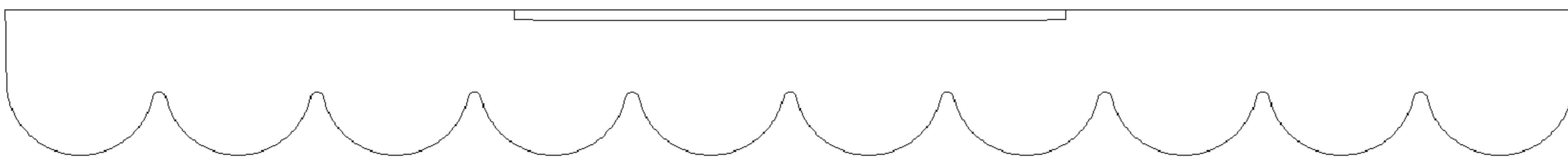


Figure 4

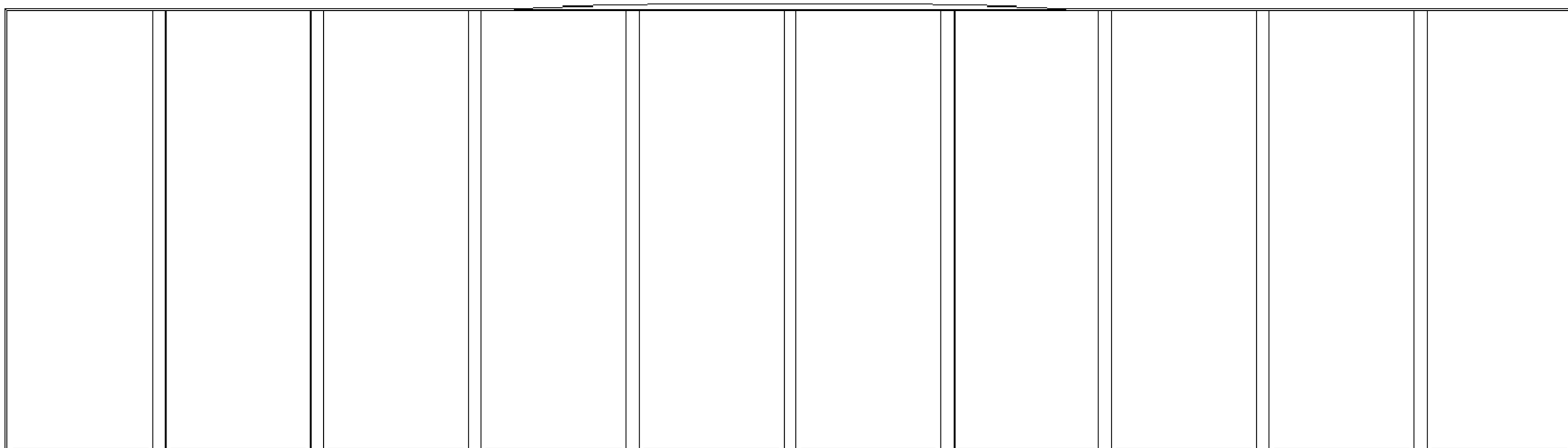


Figure 5

Figure 6

