



US00D665271S

(12) **United States Design Patent**  
**Halty et al.**

(10) **Patent No.:** **US D665,271 S**

(45) **Date of Patent:** **\*\* Aug. 14, 2012**

(54) **PACKAGING SLEEVE**

(75) Inventors: **Yassir Halty**, Blue Ash, OH (US);  
**Nancy Deters Slayton**, Springfield, OH (US)

(73) Assignee: **The Procter & Gamble Company**, Cincinnati, OH (US)

(\*\*) Term: **14 Years**

(21) Appl. No.: **29/414,508**

(22) Filed: **Feb. 29, 2012**

(51) **LOC (9) Cl.** ..... **09-05**

(52) **U.S. Cl.** ..... **D9/711**

(58) **Field of Classification Search** ..... D9/702-714,  
D9/719, 738-740, 517-518, 522, 416, 444,  
D9/435, 455, 414, 434, 501, 430-431, 424;  
D7/560-562; 206/434, 426-427, 429-430,  
206/485, 485.1, 499, 508, 431, 464, 495,  
206/483, 481; 229/117.3, 185, 121-122,  
229/200, 207, 236, 87.01, 103.2; 220/23.83  
See application file for complete search history.

(56) **References Cited**

**U.S. PATENT DOCUMENTS**

3,687,281	A *	8/1972	Prot	.....	206/430
4,890,738	A *	1/1990	Carver	.....	206/434
5,105,945	A *	4/1992	Carver	.....	206/426
D391,835	S *	3/1998	Auclair et al.	.....	D9/711
D558,602	S *	1/2008	Kissner et al.	.....	D9/711

D595,150	S *	6/2009	Cain	.....	D9/711
D610,919	S *	3/2010	James	.....	D9/711
D642,935	S *	8/2011	Bergeron et al.	.....	D9/711
D654,810	S *	2/2012	Mansouri	.....	D9/711

\* cited by examiner

*Primary Examiner* — Caron D Veynar

*Assistant Examiner* — Abraham Bahta

(74) *Attorney, Agent, or Firm* — Amy I Ahn Roll; Leonard W Lewis

(57) **CLAIM**

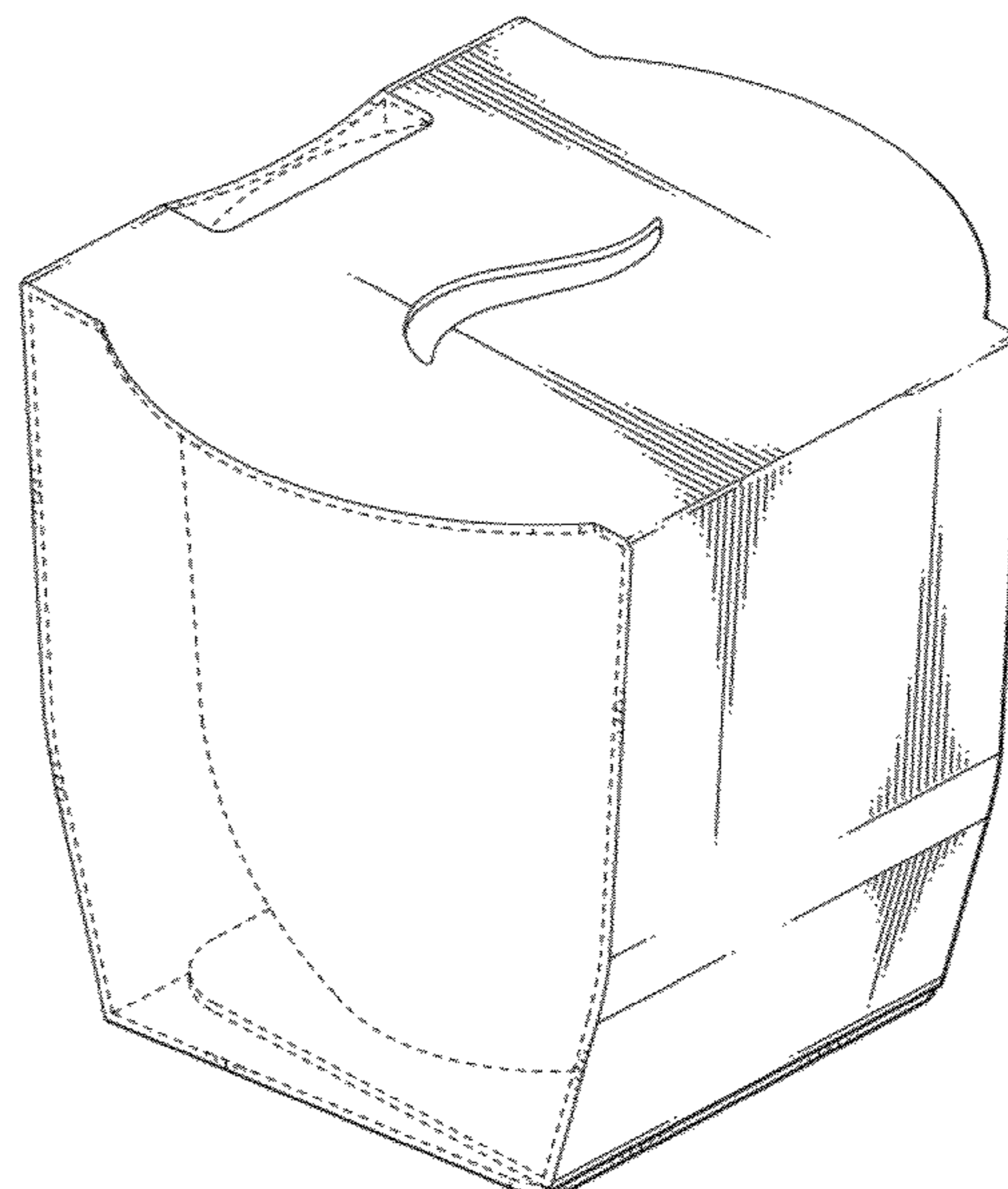
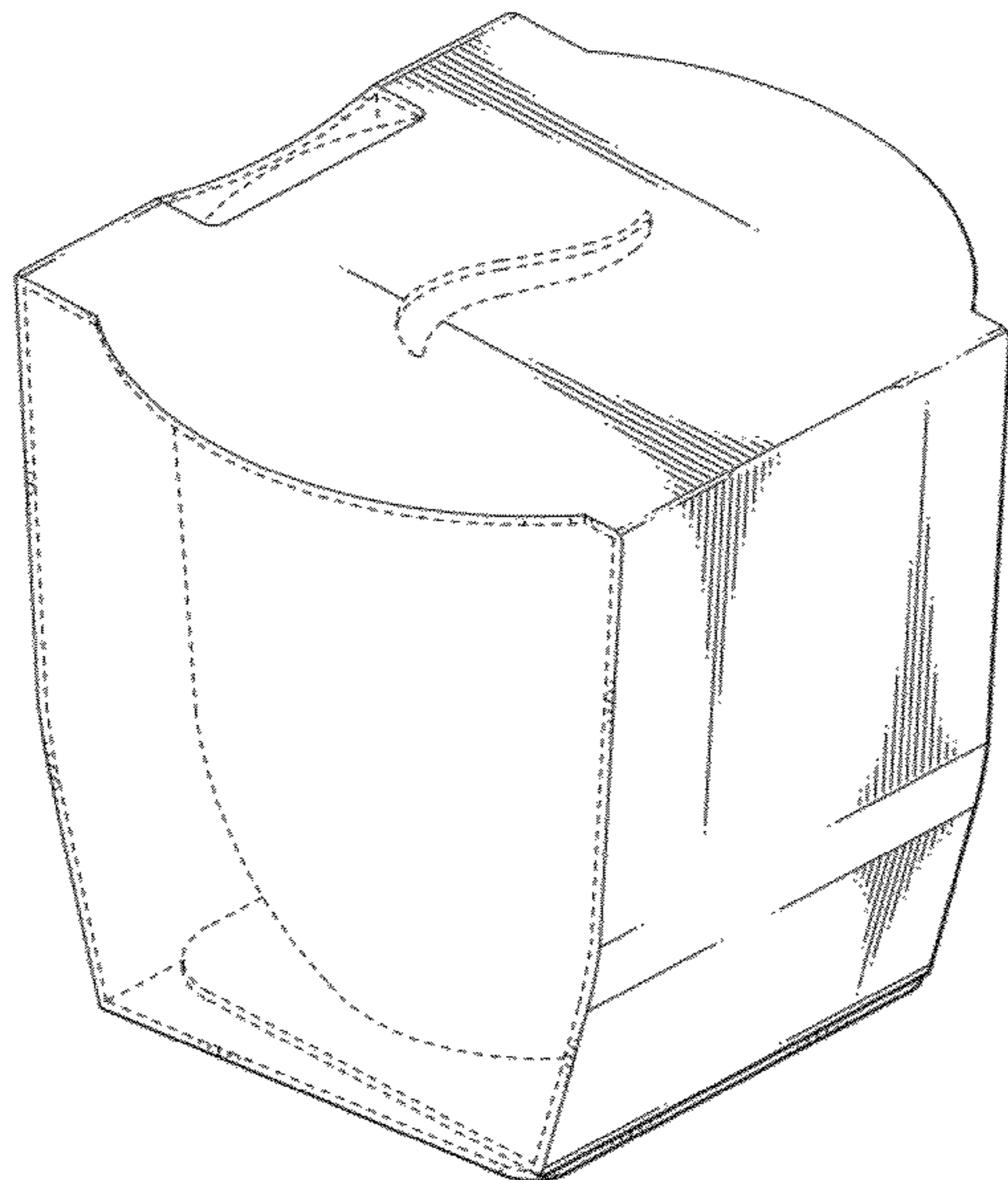
The ornamental design for a packaging sleeve, as shown and described.

**DESCRIPTION**

FIG. 1 is a perspective view of a first embodiment of a packaging sleeve, according to the present invention;  
FIG. 2 is a side view thereof;  
FIG. 3 is a rear view thereof;  
FIG. 4 is a front view thereof;  
FIG. 5 is a top view thereof;  
FIG. 6 is a bottom view thereof;  
FIG. 7 is a perspective view of a second embodiment of a packaging sleeve, according to the present invention;  
FIG. 8 is a side view thereof;  
FIG. 9 is a rear view thereof;  
FIG. 10 is a front view thereof;  
FIG. 11 is a top view thereof; and,  
FIG. 12 is a bottom view thereof.

The broken lines shown in the drawings are for illustrative purposes only and form no part of the claimed design.

**1 Claim, 8 Drawing Sheets**



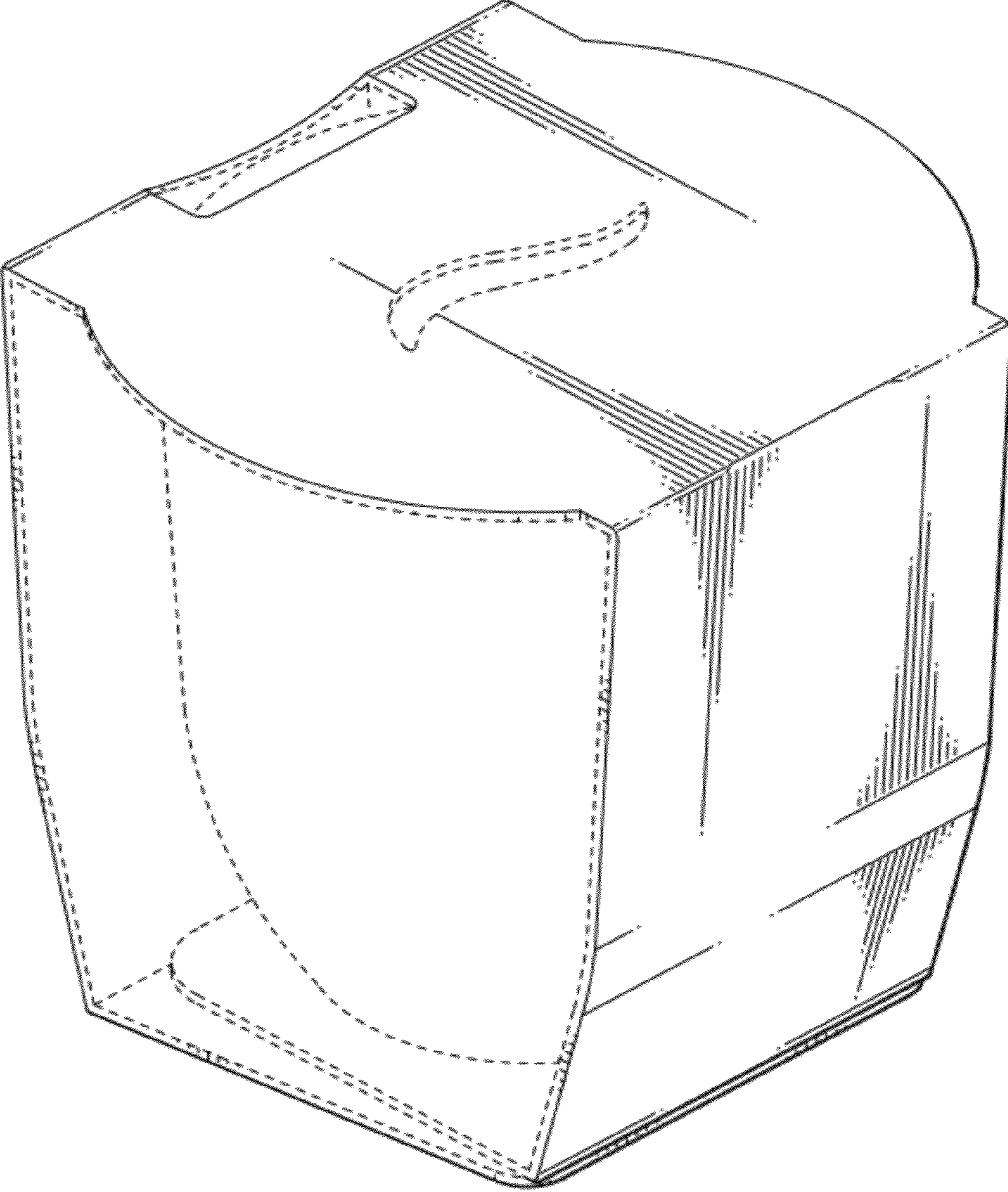


FIG. 1

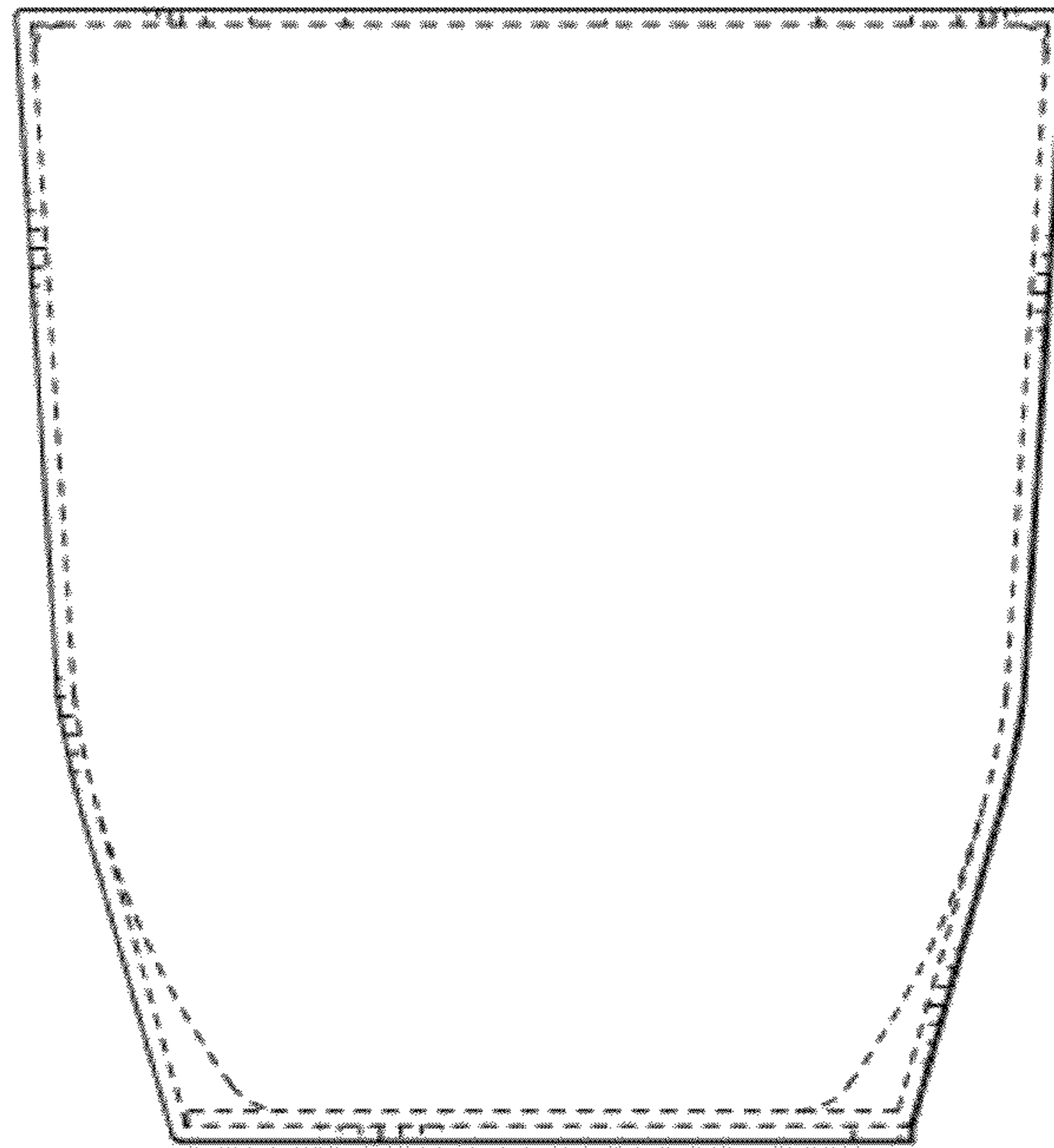


FIG. 2

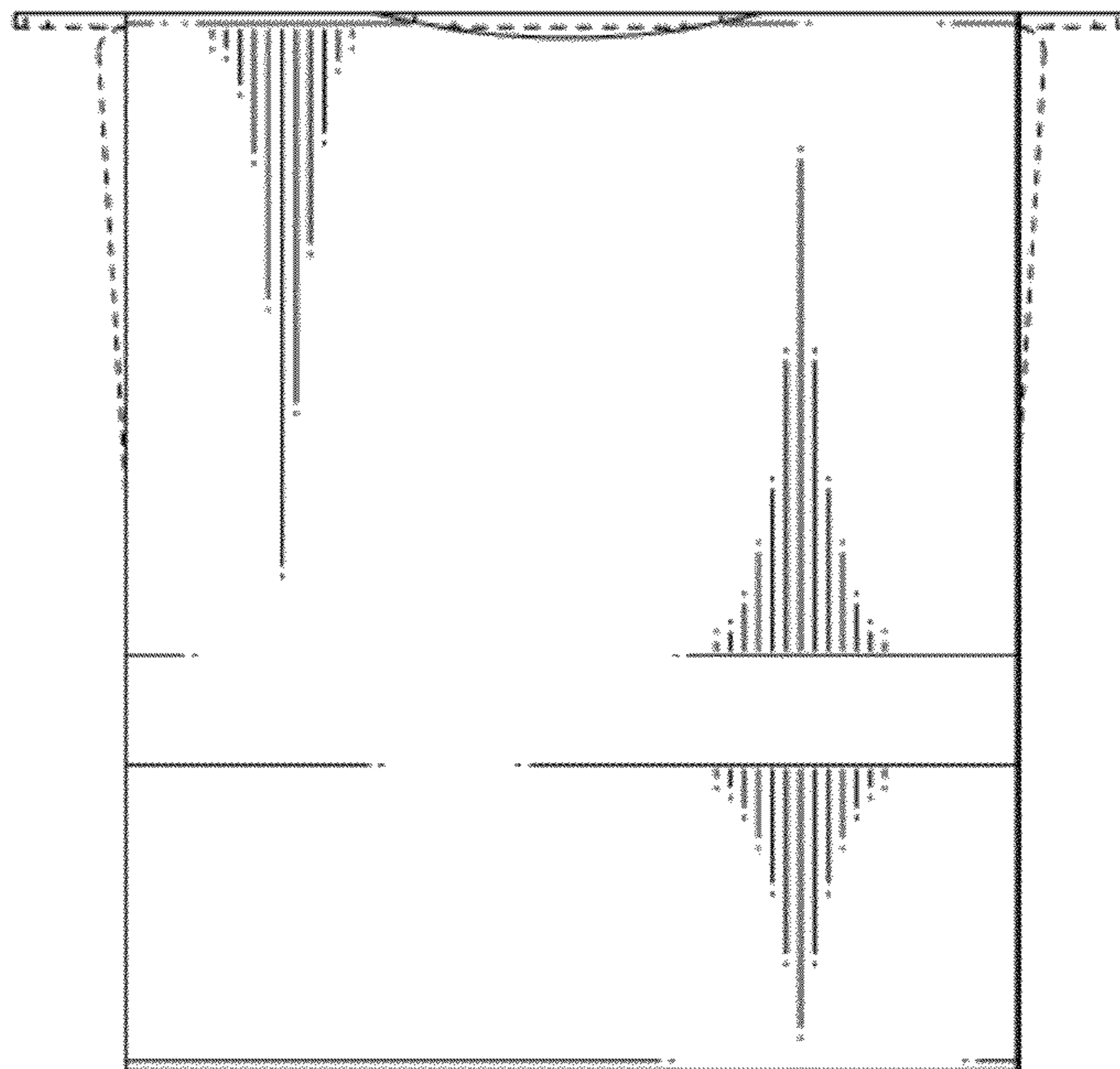


FIG. 3

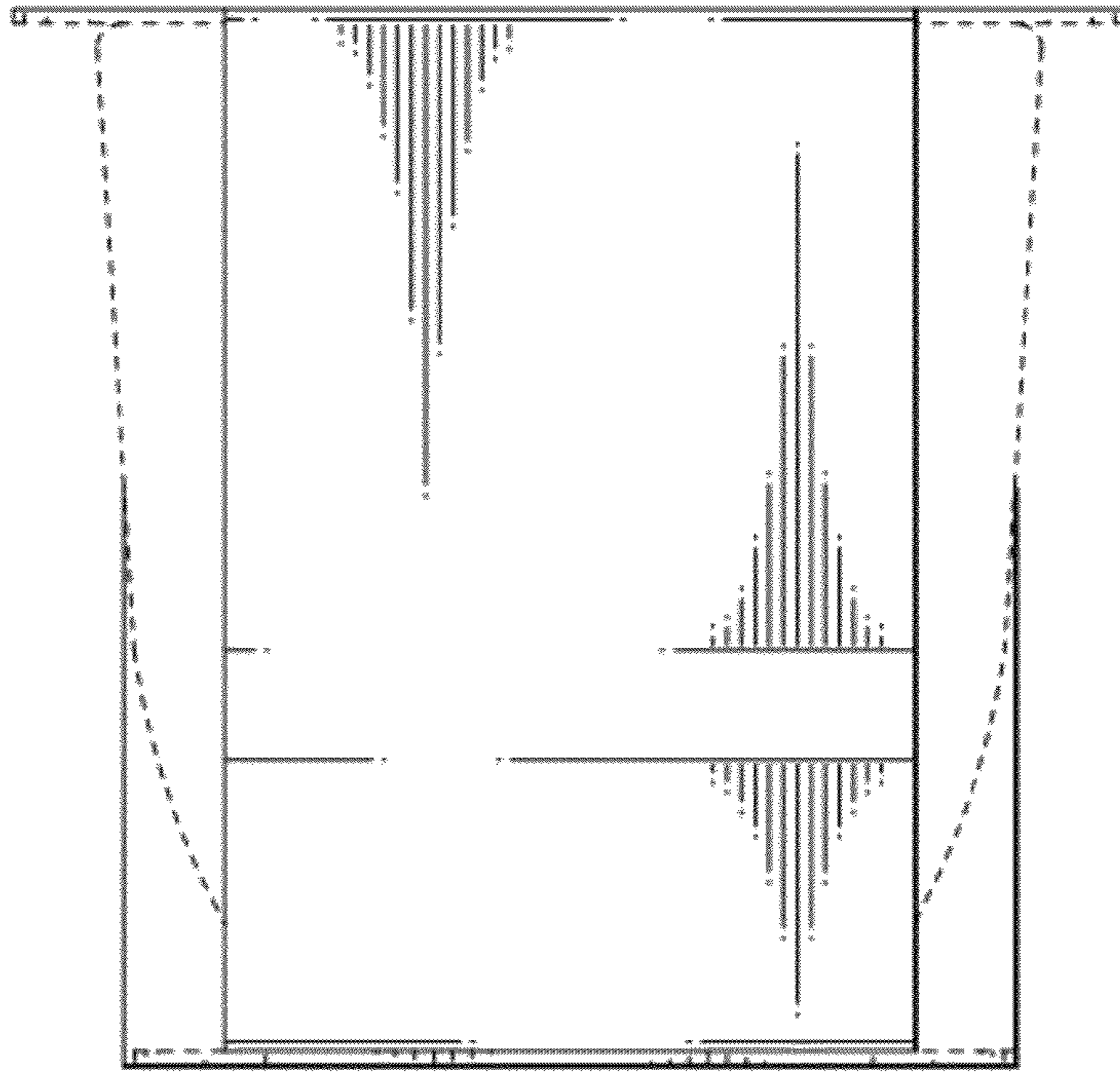


FIG. 4

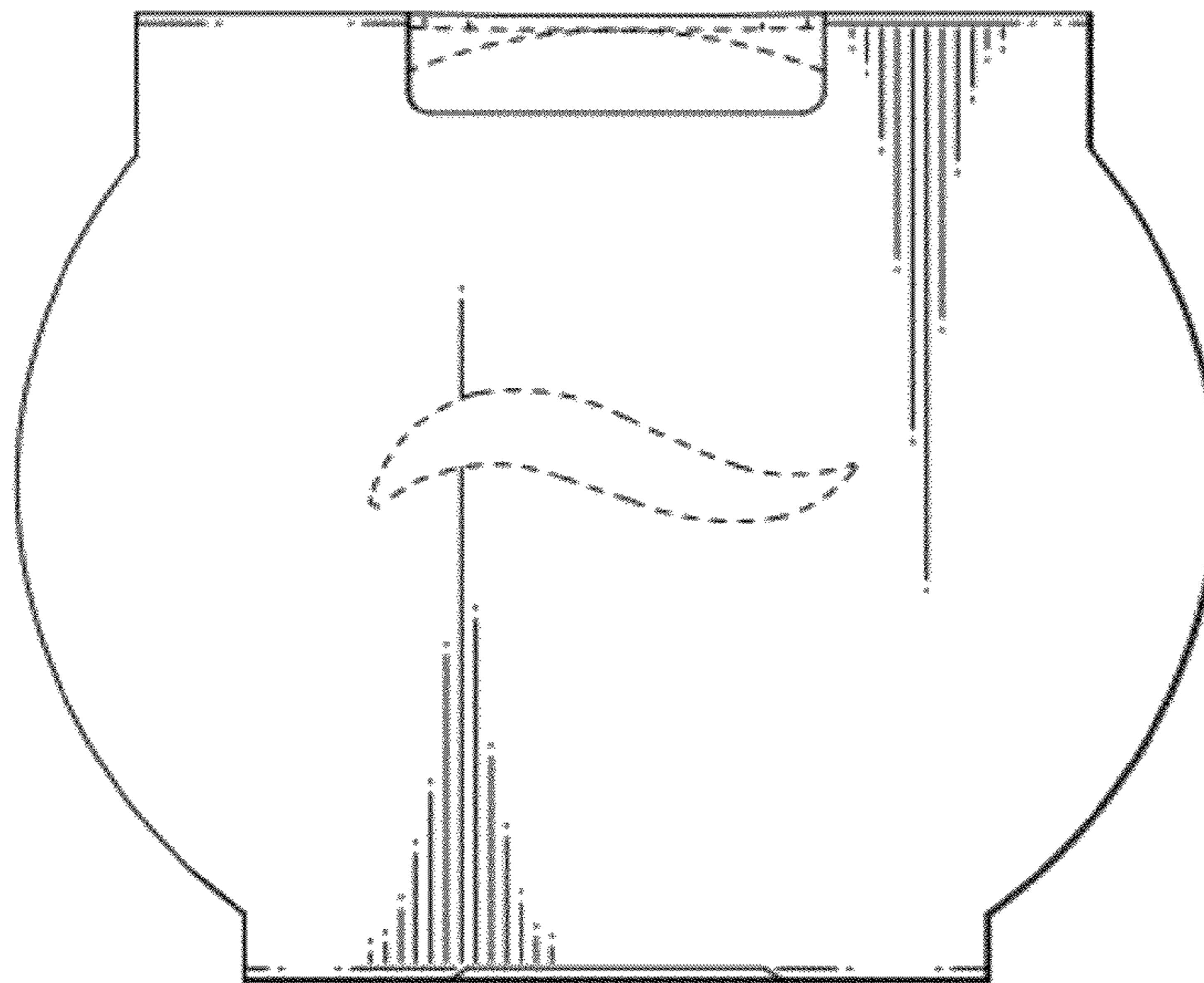


FIG. 5

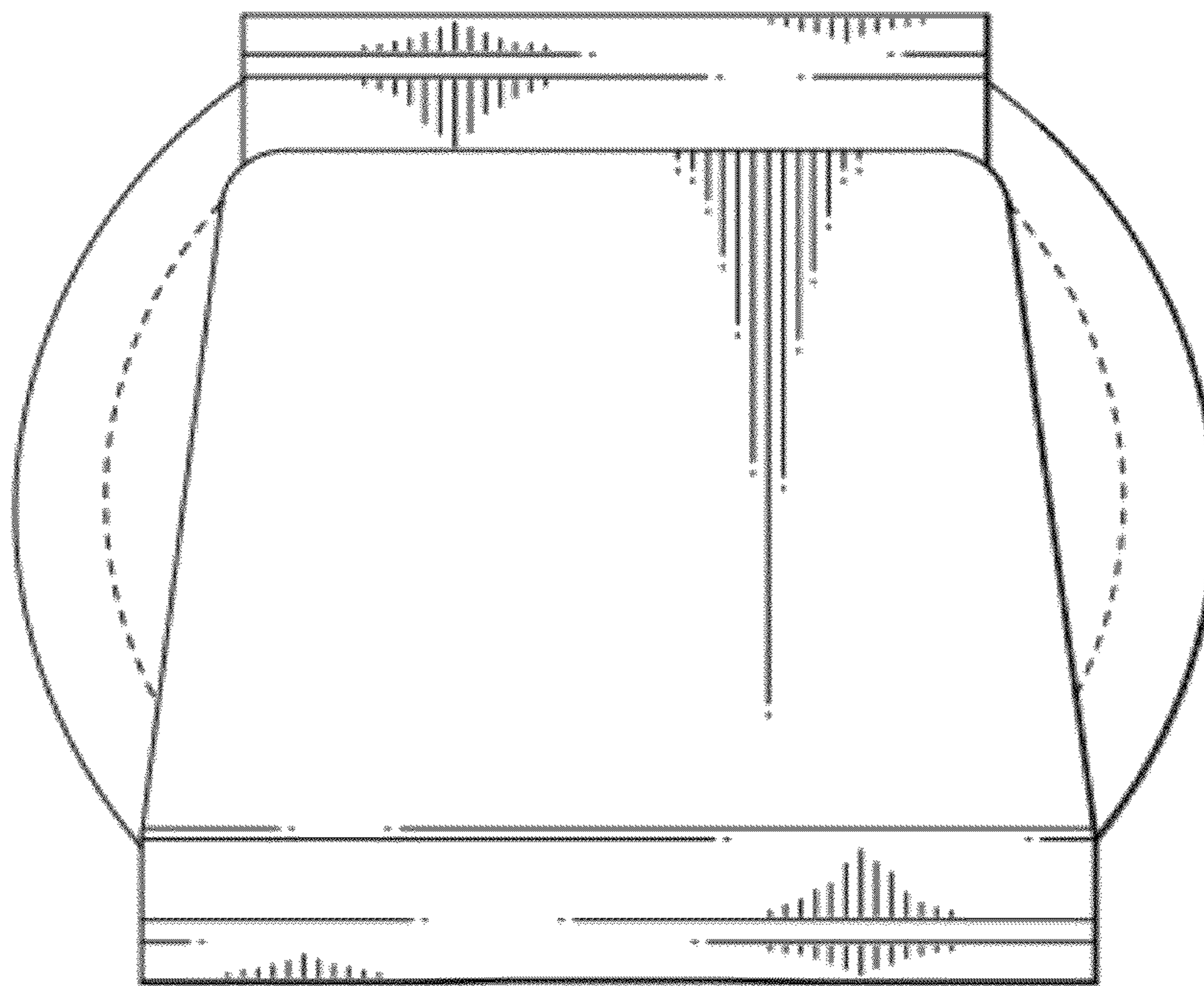


FIG. 6

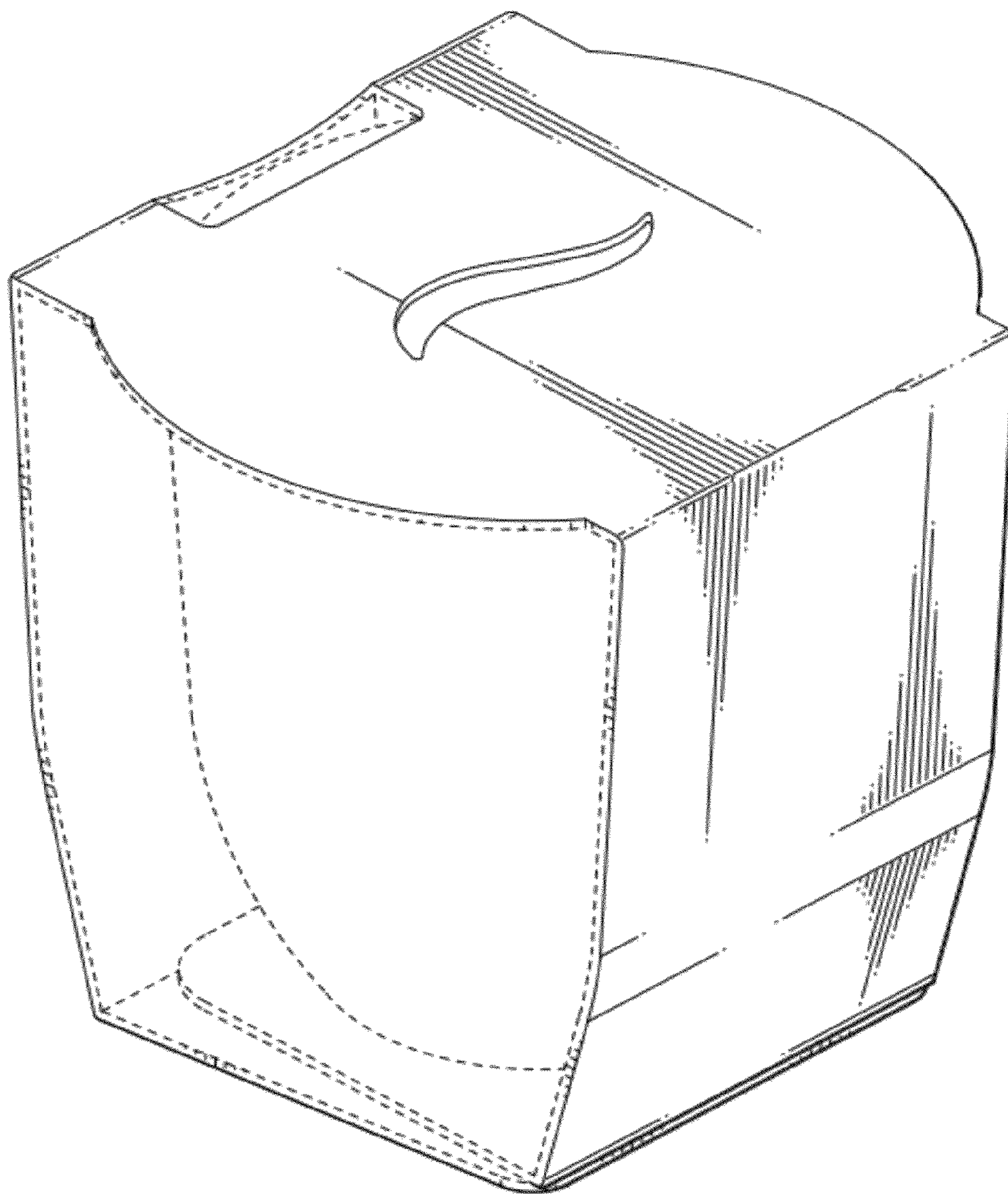


FIG. 7

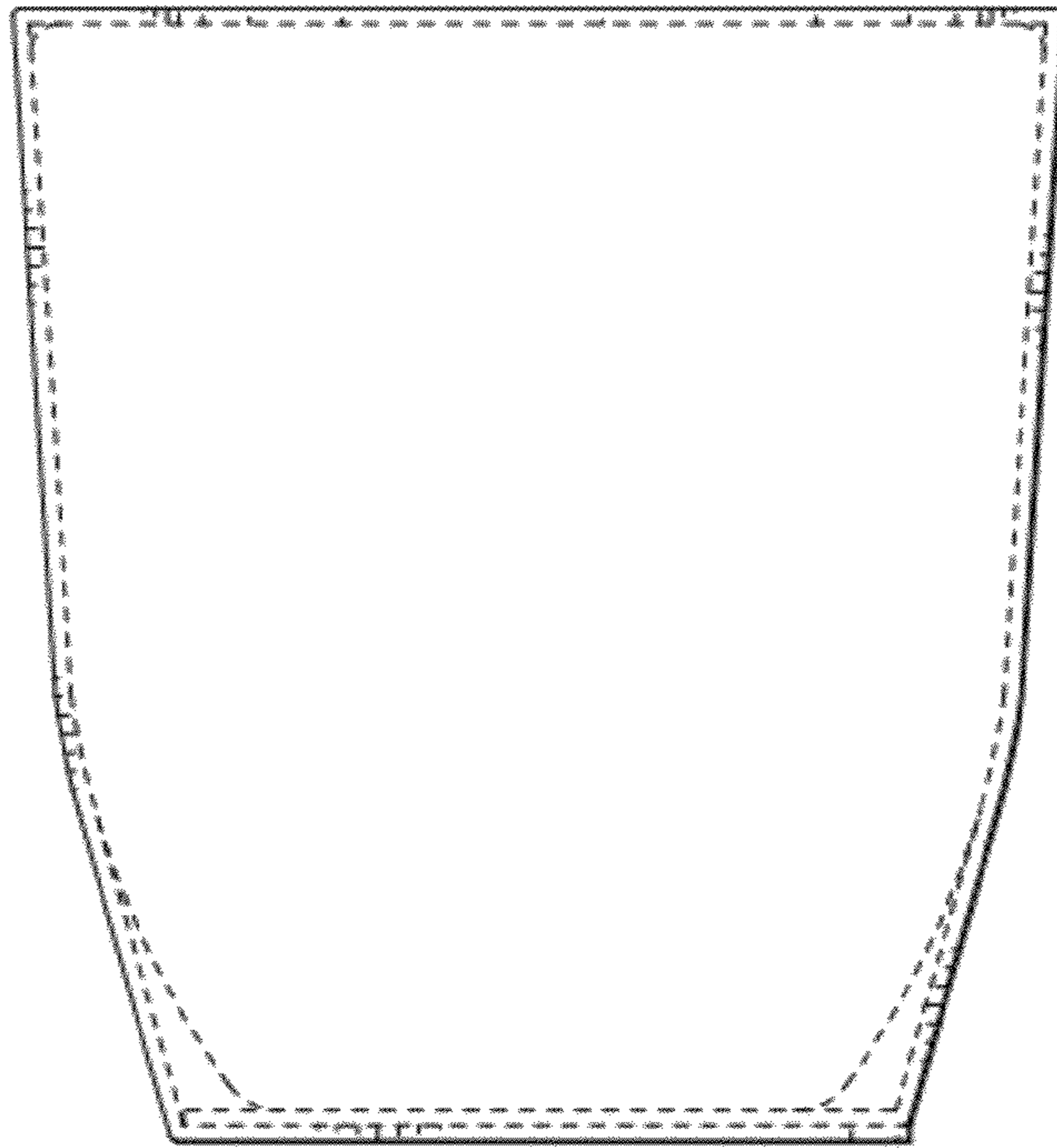


FIG. 8

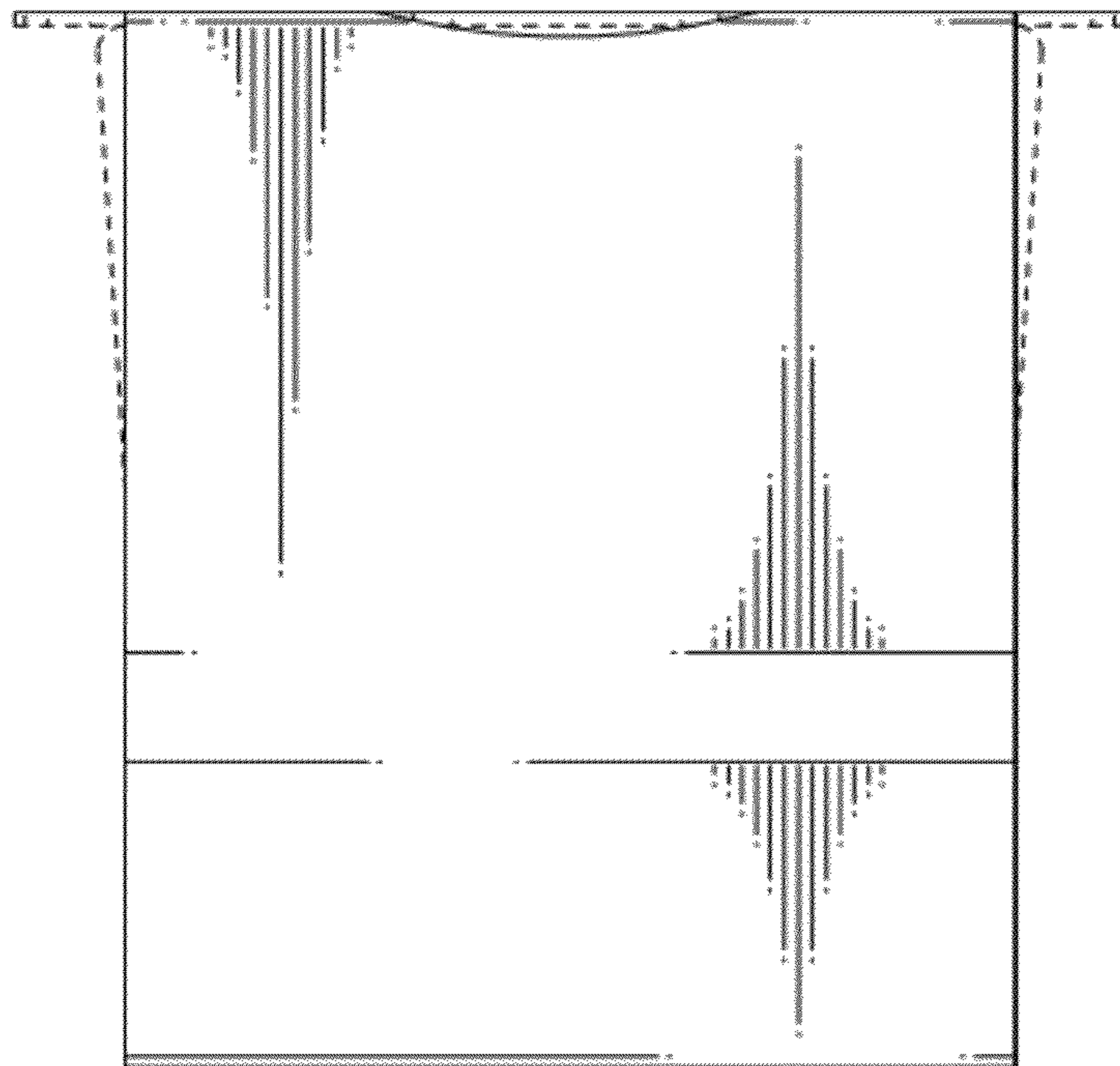


FIG. 9

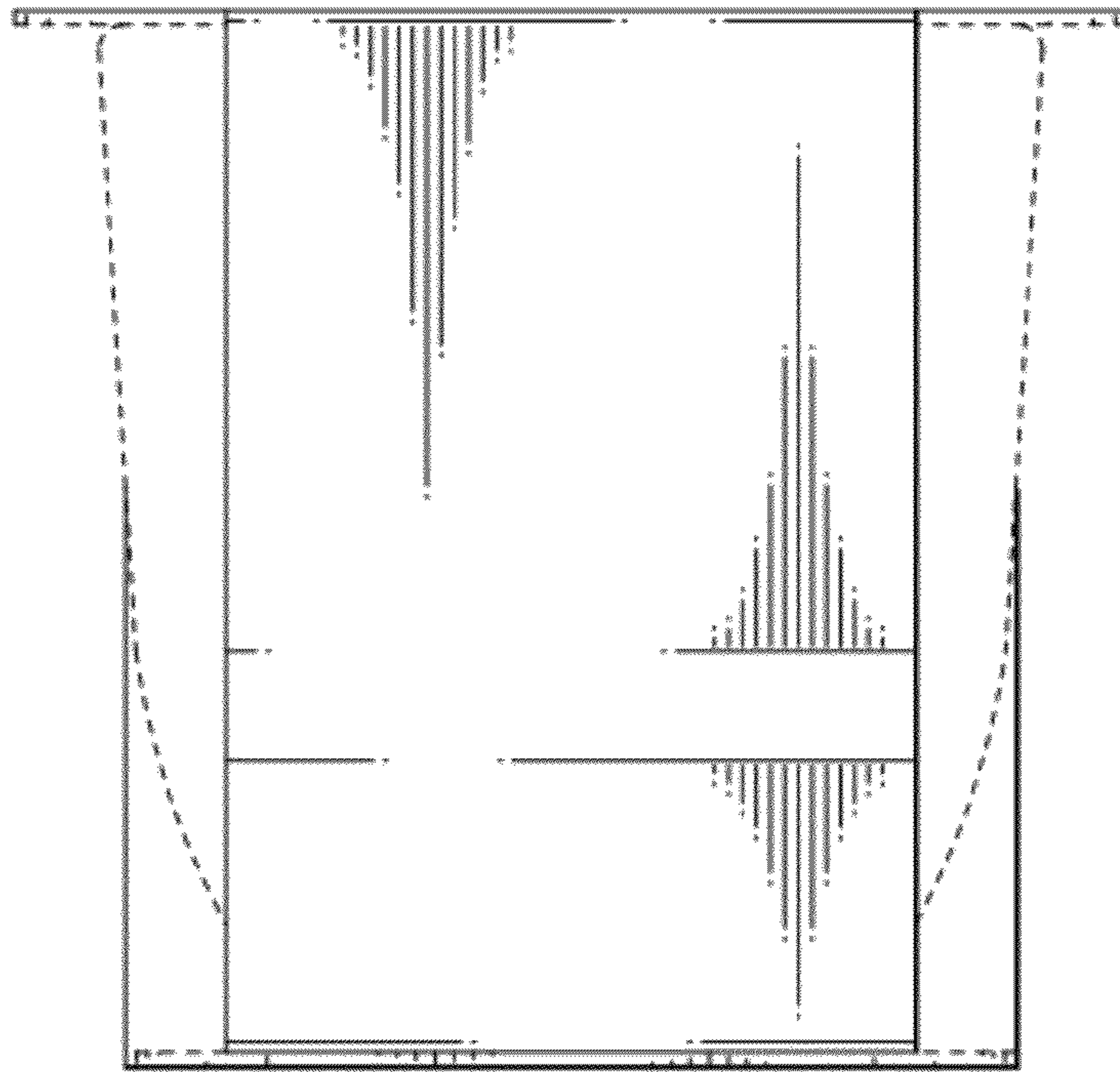


FIG. 10

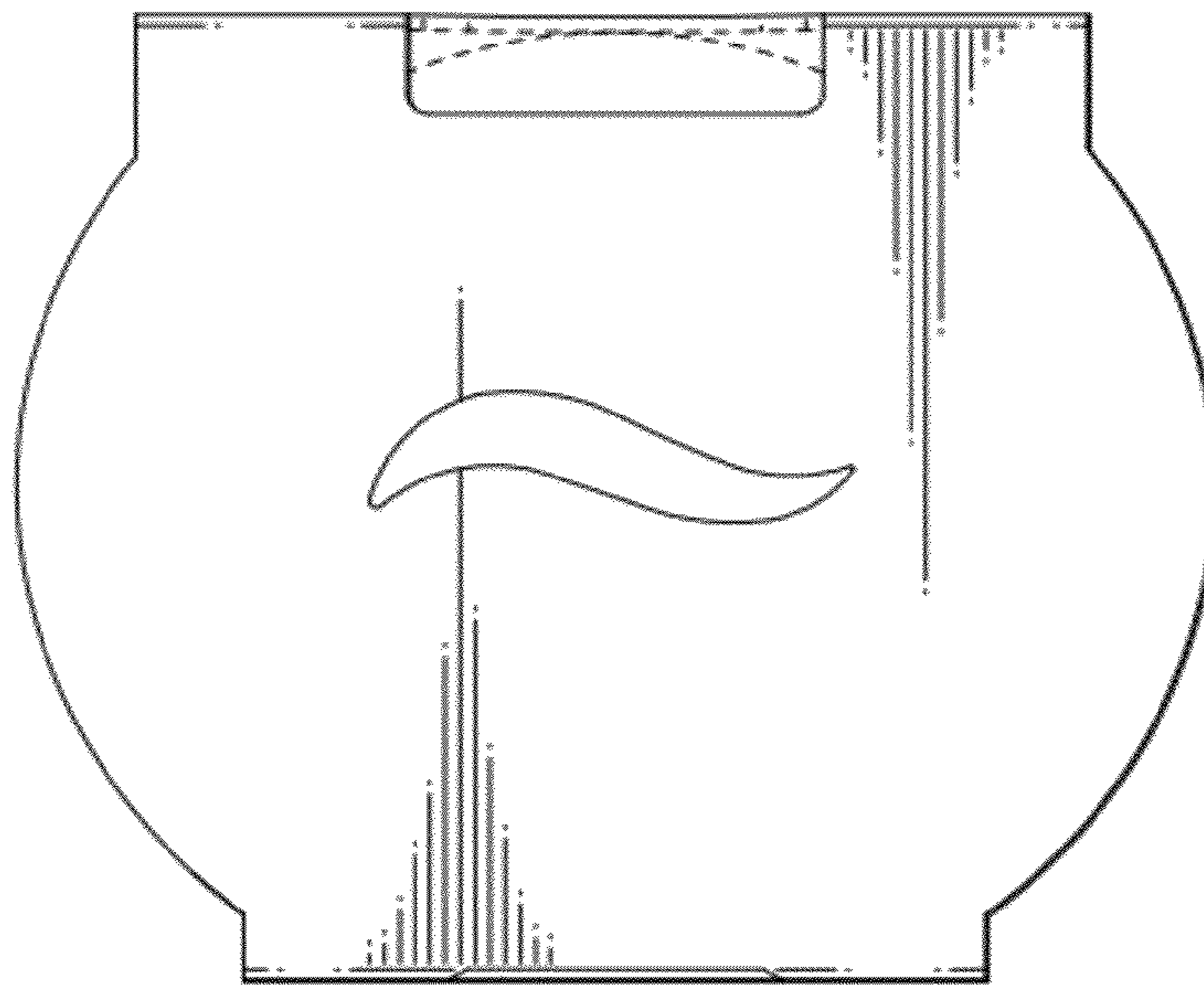


FIG. 11



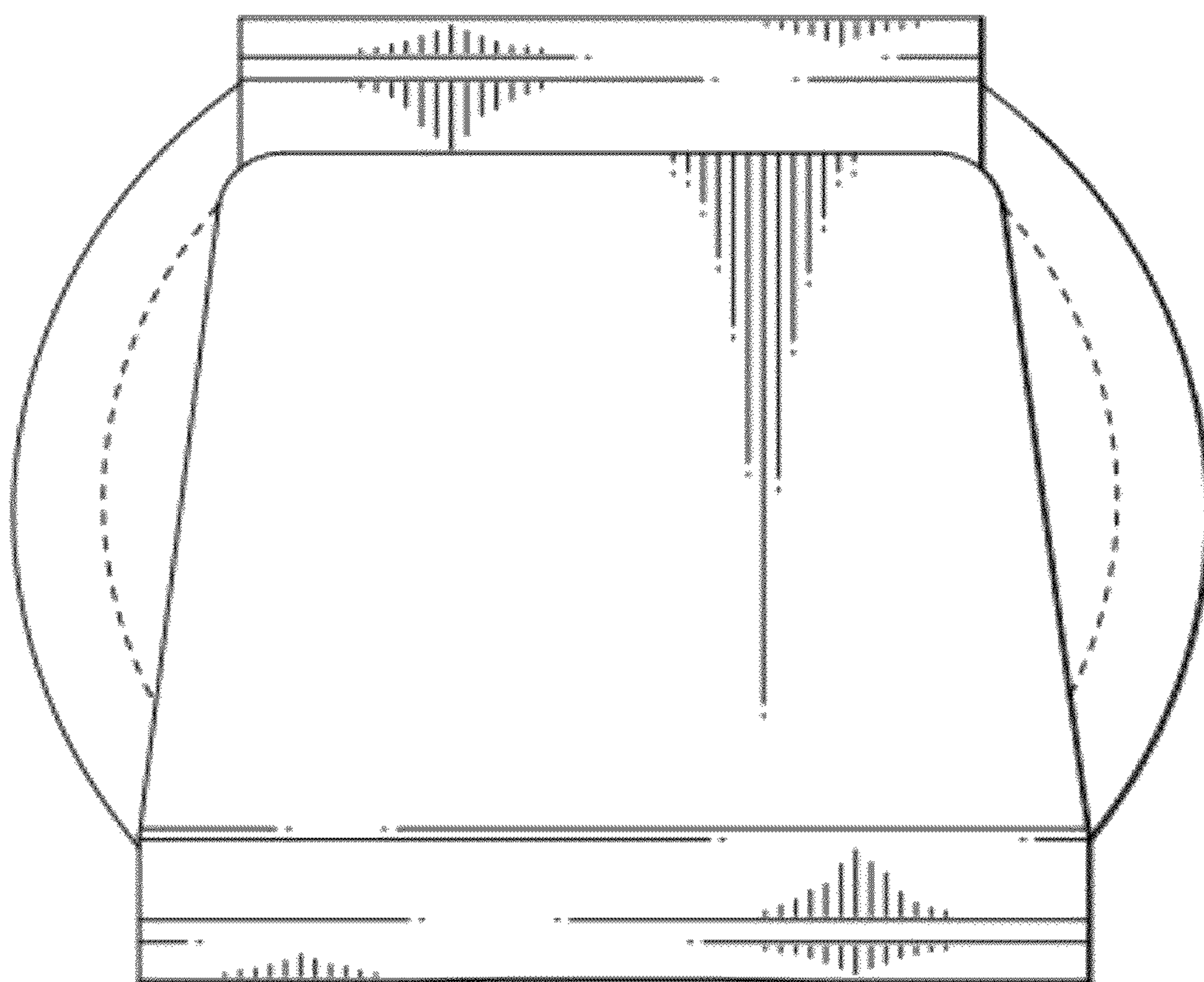


FIG. 12