



US00D665266S

(12) **United States Design Patent**
Gelin

(10) **Patent No.:** **US D665,266 S**

(45) **Date of Patent:** **** Aug. 14, 2012**

(54) **CONTAINER FOR PERSONAL HYGIENE PRODUCT**

(76) Inventor: **Marie Gelin**, Fairburn, GA (US)

(**) Term: **14 Years**

(21) Appl. No.: **29/392,408**

(22) Filed: **May 20, 2011**

(51) **LOC (9) Cl.** **09-01**

(52) **U.S. Cl.** **D9/668; D9/729**

(58) **Field of Classification Search** D7/514-515,
D7/599, 613, 619.2, 623, 901; D3/200, 202,
D3/205, 271.9; D9/600, 668, 723, 728-729,
D9/516, 519; 206/494, 527; 220/890; 215/400
See application file for complete search history.

(56) **References Cited**

U.S. PATENT DOCUMENTS

| | | | | |
|--------------|---------|--------------|-------|----------|
| D287,766 S * | 1/1987 | Simmons | | D7/901 |
| D330,284 S * | 10/1992 | Klien et al. | | D3/271.9 |
| D349,631 S * | 8/1994 | Redmon | | D7/606 |
| D355,334 S * | 2/1995 | Minor | | D7/606 |
| D390,778 S * | 2/1998 | Lee | | D9/668 |
| D409,443 S * | 5/1999 | Clark et al. | | D7/515 |
| D425,706 S * | 5/2000 | Calderone | | D3/200 |
| D526,906 S * | 8/2006 | Yorn et al. | | D9/668 |
| D534,082 S * | 12/2006 | Chadfield | | D9/729 |

* cited by examiner

Primary Examiner — Sandra Morris

(74) *Attorney, Agent, or Firm* — Seldon & Scillieri

(57) **CLAIM**

The ornamental design for a container for a personal hygiene product, as shown and described.

DESCRIPTION

FIG. 1 is left front perspective view a container constructed in accordance with the invention;

FIG. 2 is a front elevation view of the container illustrated in FIG. 1, a rear elevation view being a mirror image thereof;

FIG. 3 is a top plan view of the container illustrated in FIG. 1; FIG. 4 is a left side elevation view of the container illustrated in FIG. 1;

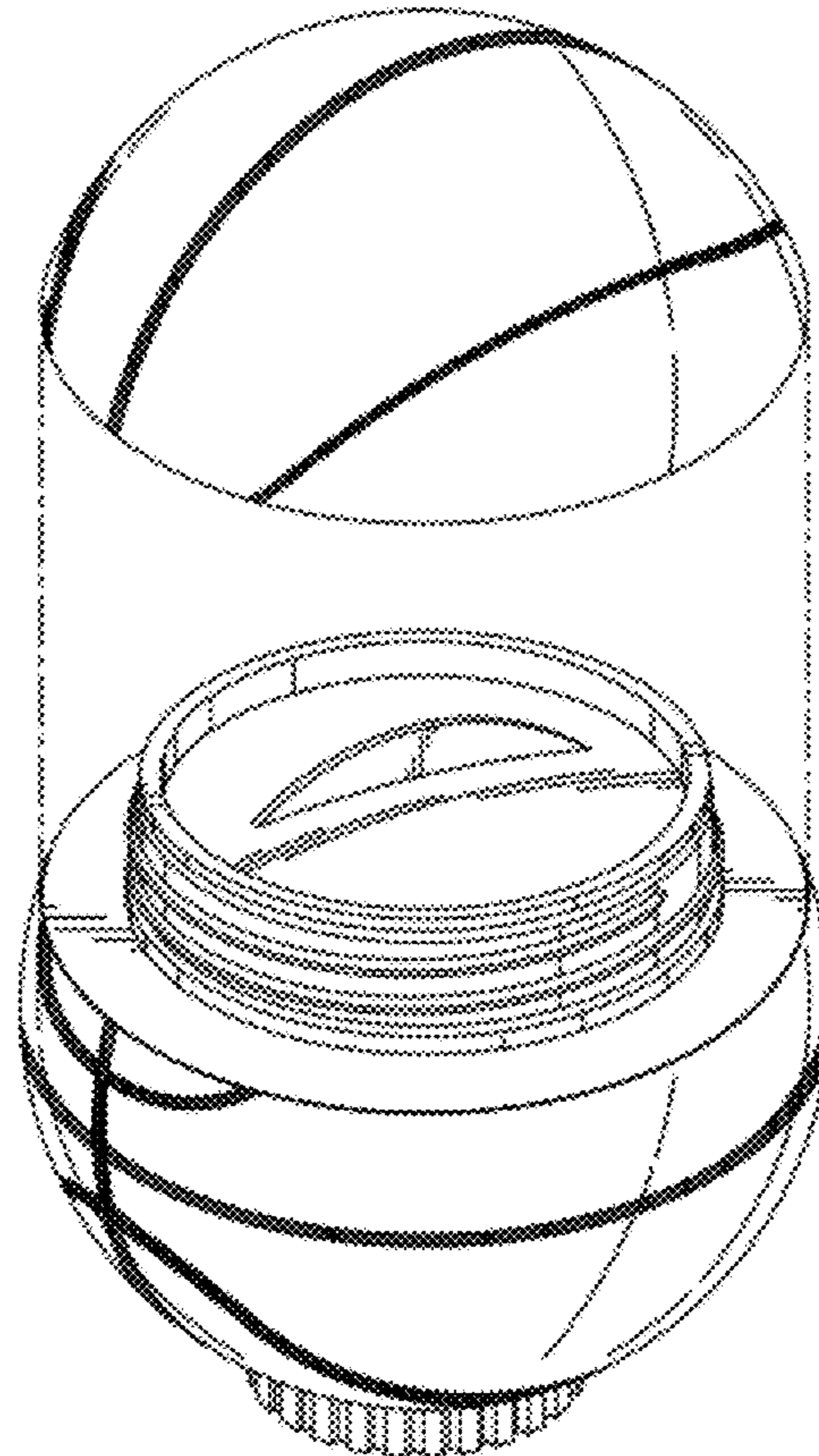
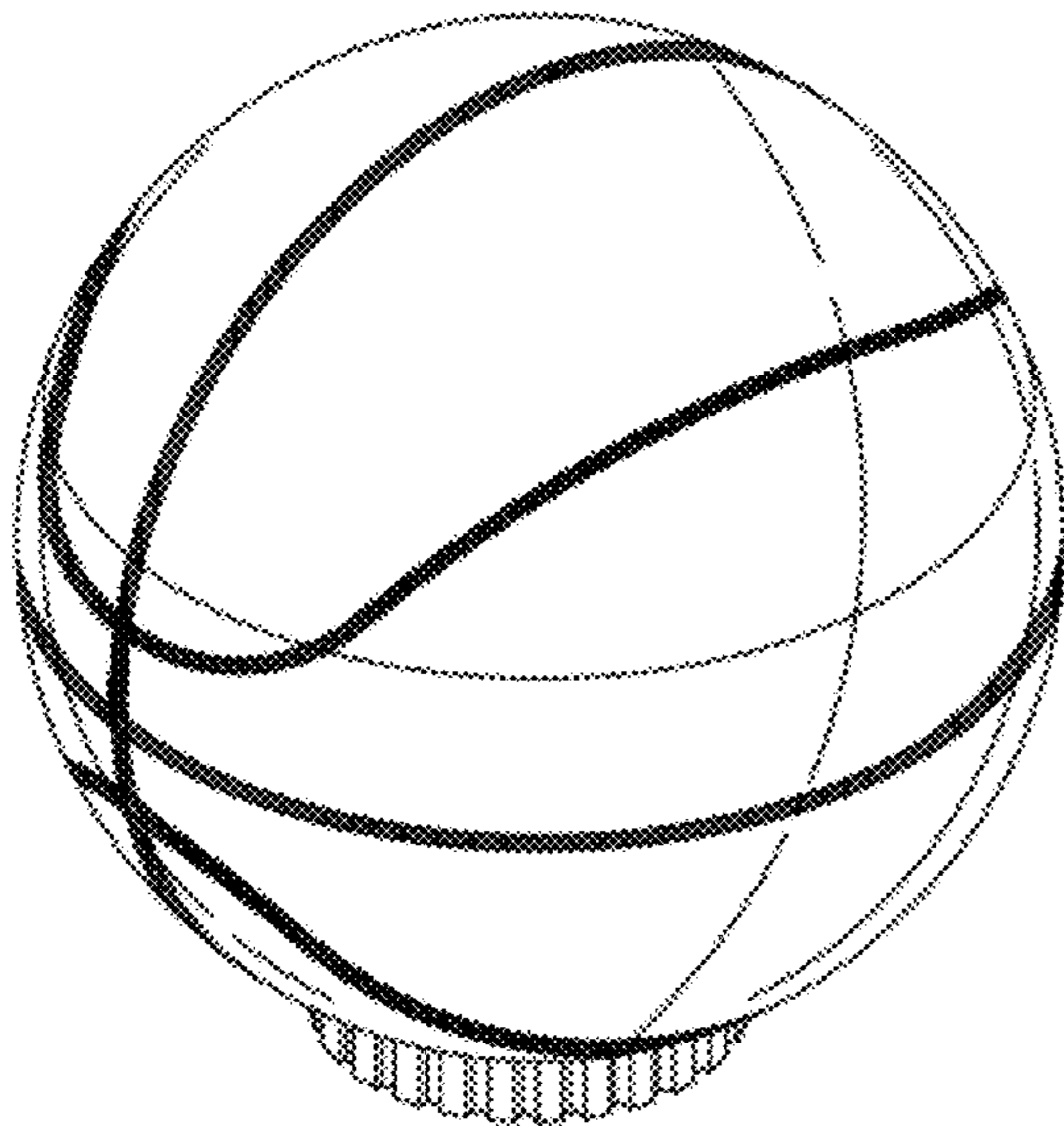
FIG. 5 is a right side elevation view of the container illustrated in FIG. 1;

FIG. 6 is a bottom plan view of the container illustrated in FIG. 1;

FIG. 7 is left front perspective view of the container of FIG. 1, illustrating an internal cap design under its removable cap; and,

FIG. 8 is left front perspective view of an alternative embodiment of the container of FIG. 1 illustrating its removable cap, wherein the broken line portions are for illustrative purposes only and form no part of the claimed design.

1 Claim, 3 Drawing Sheets



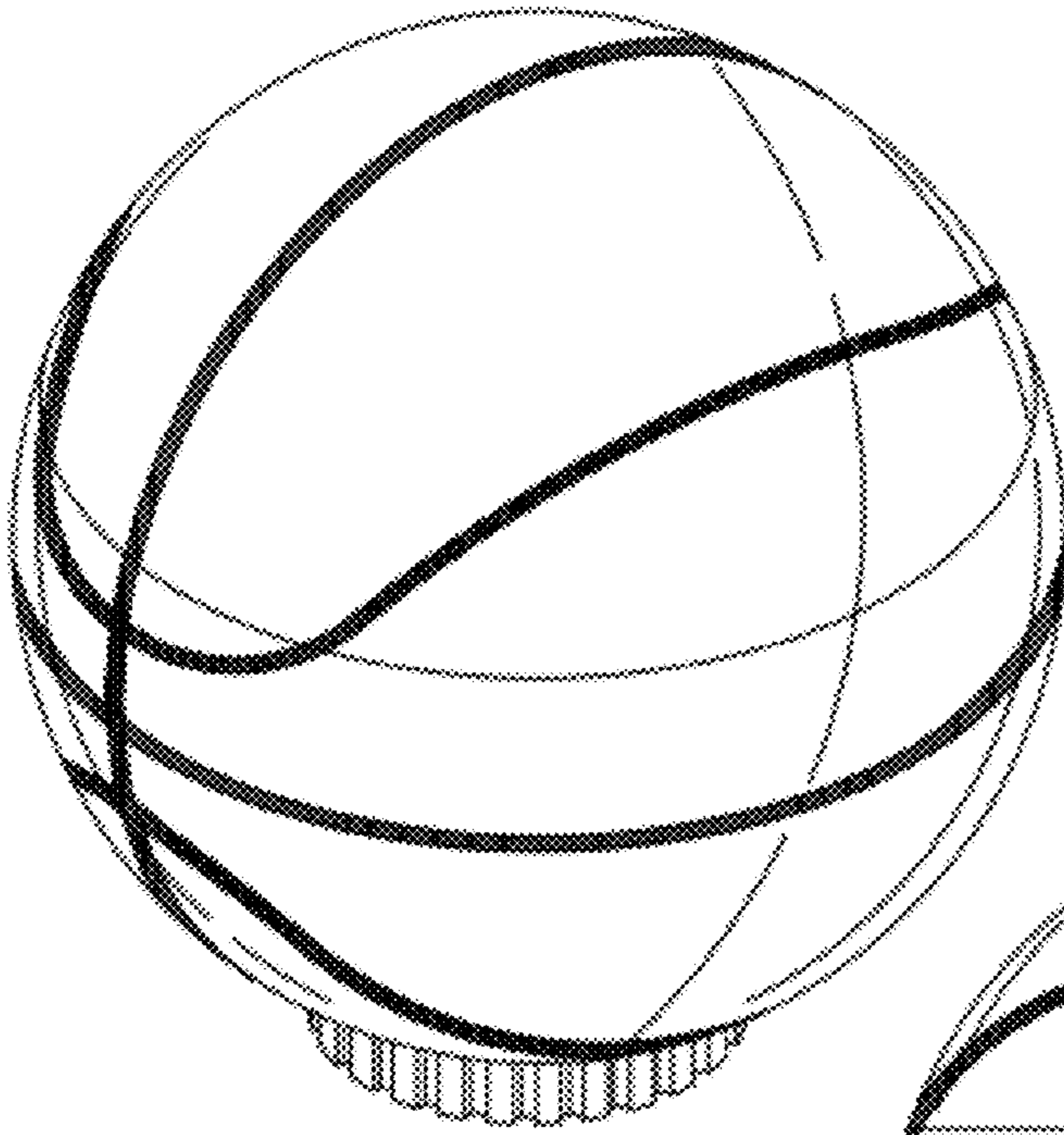


Fig. 1

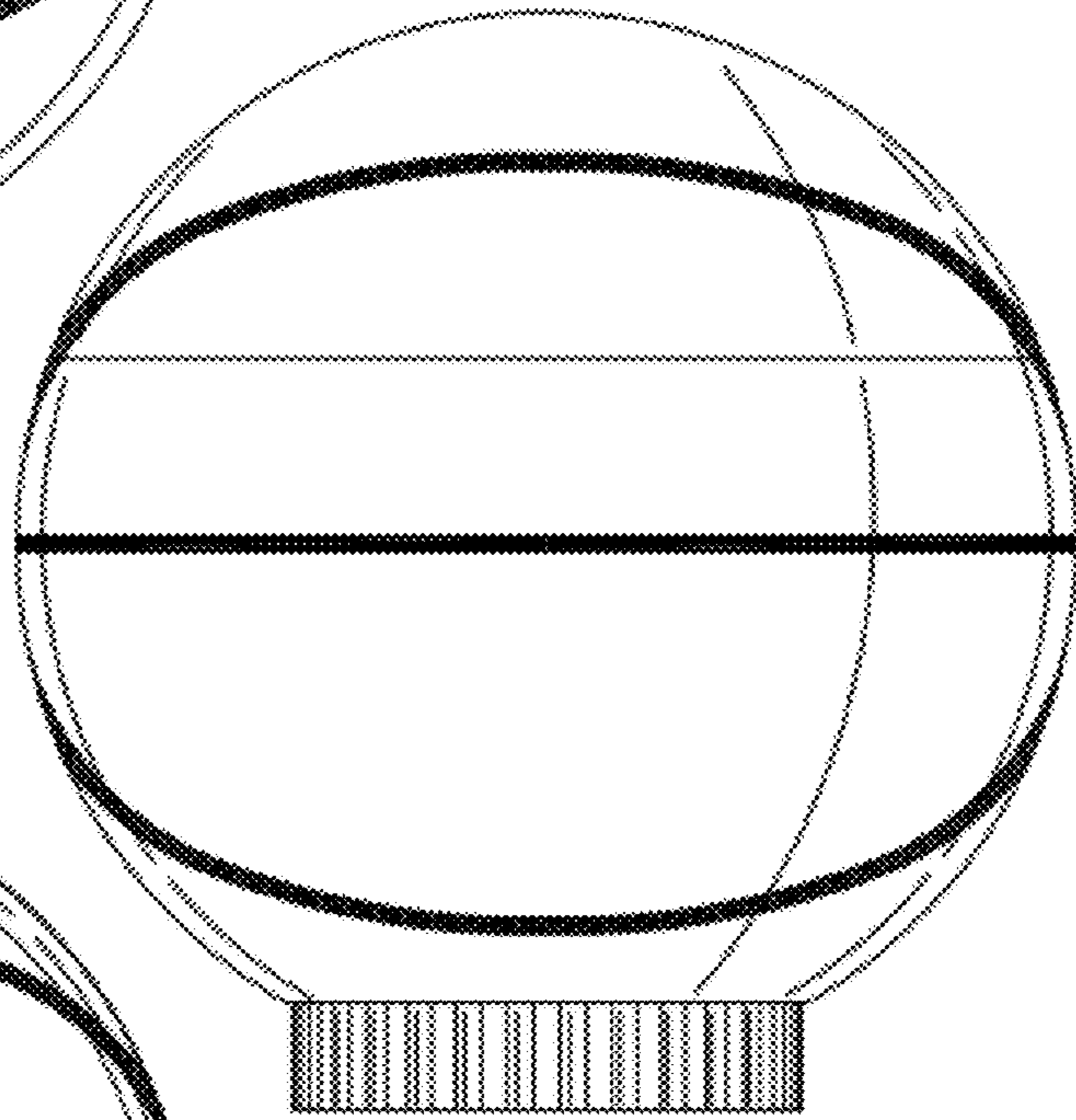


Fig. 2

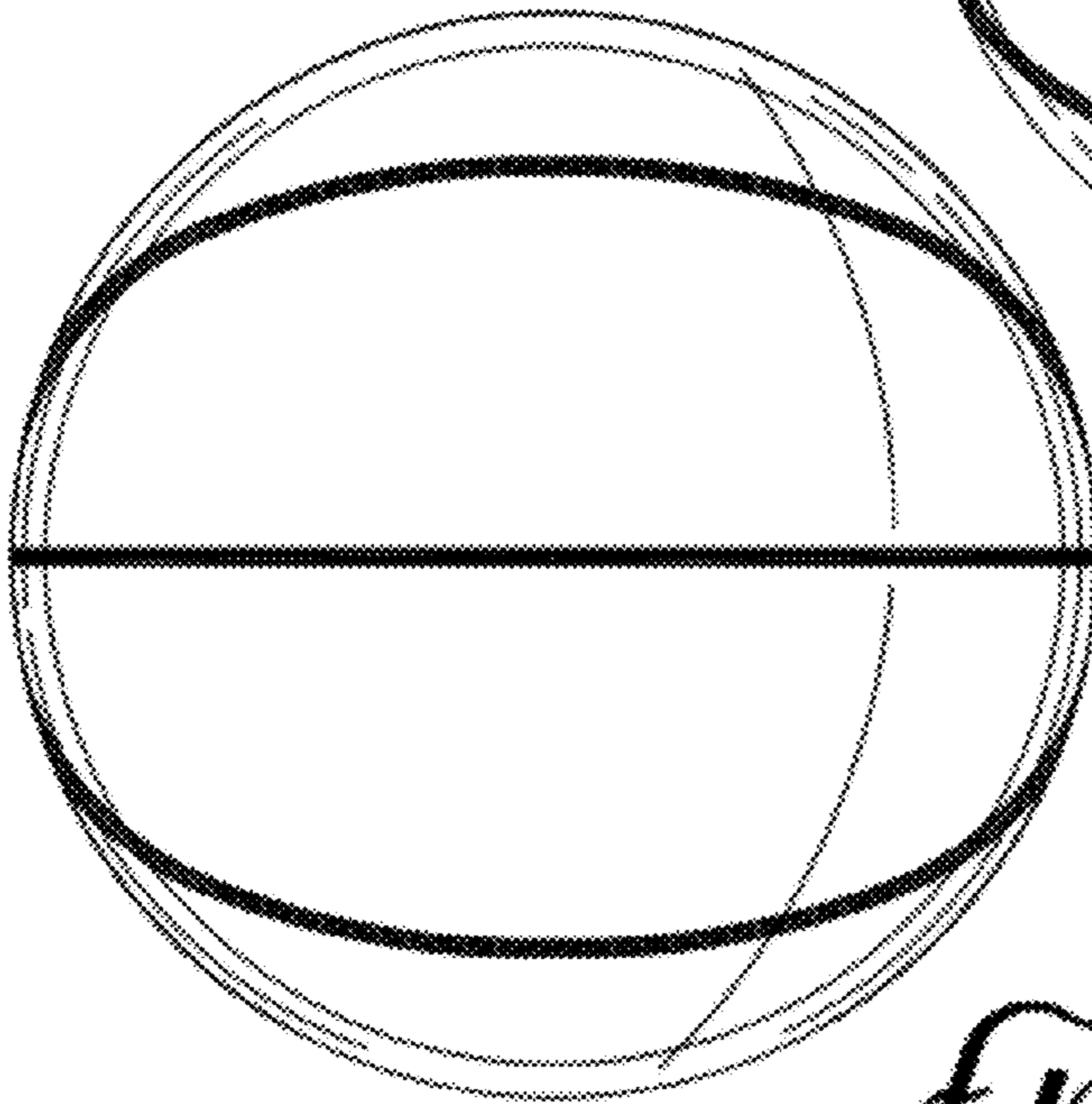


Fig. 3

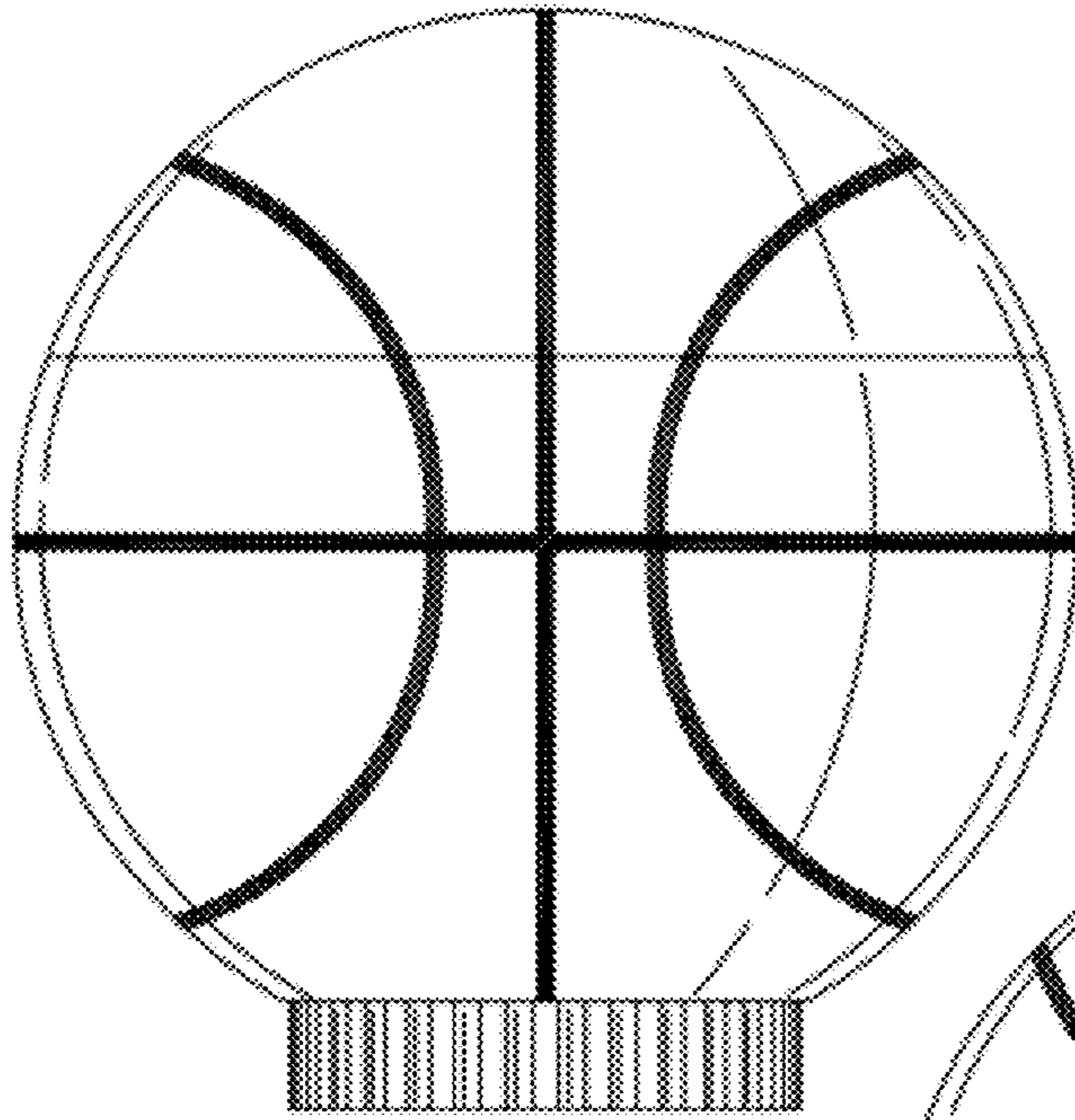


FIG. 4

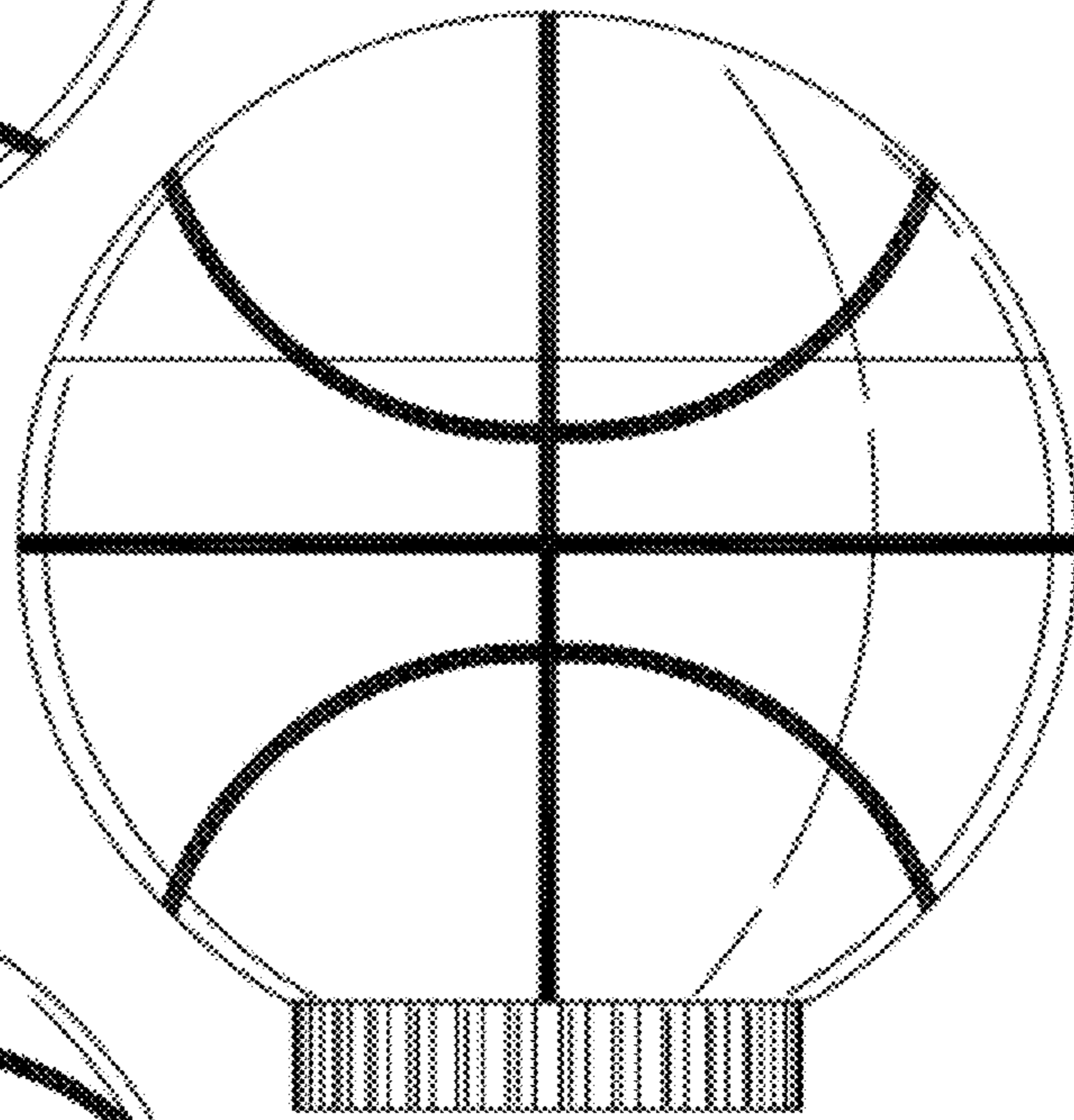


FIG. 5

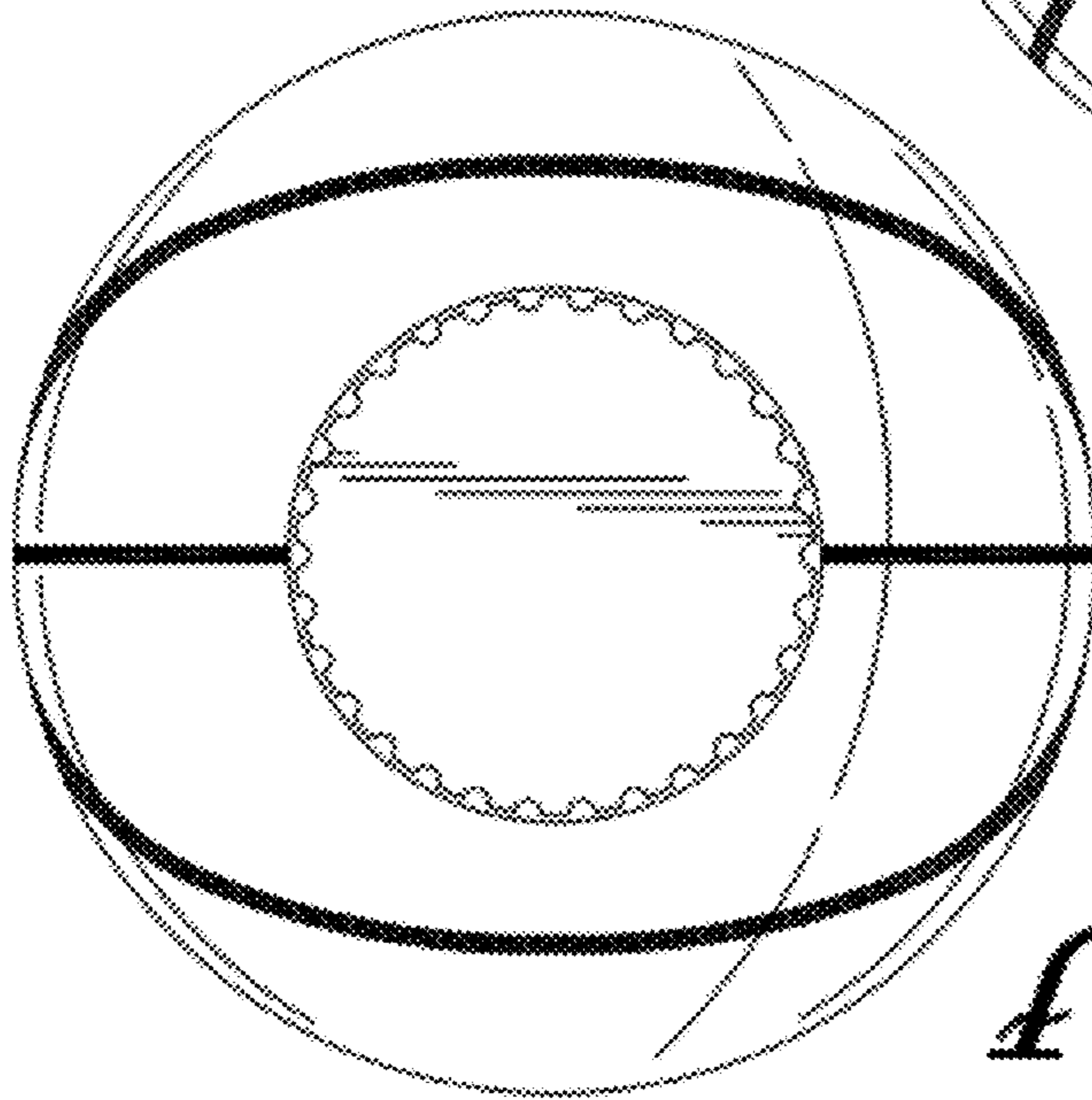


FIG. 6

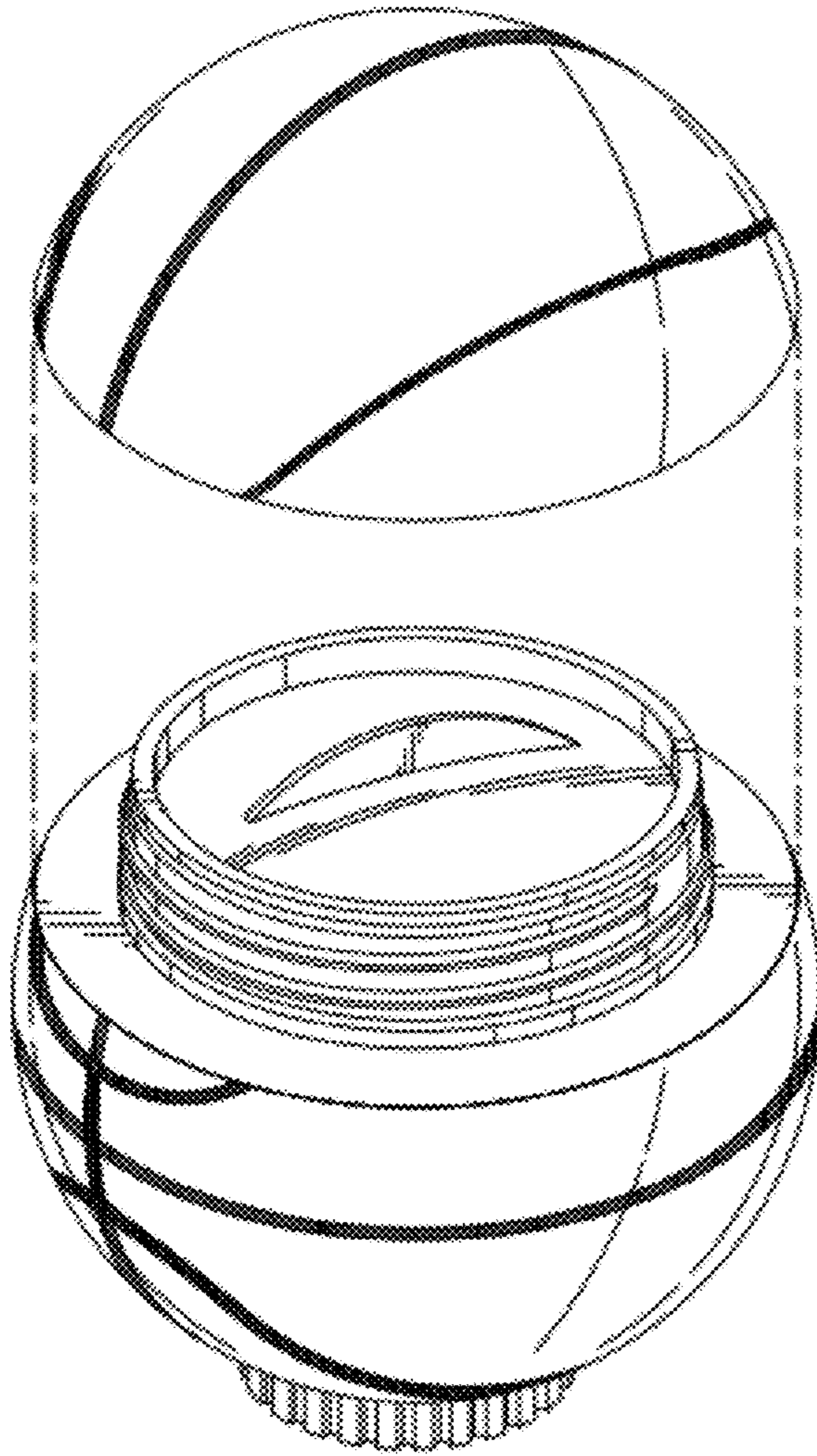


FIG. 7

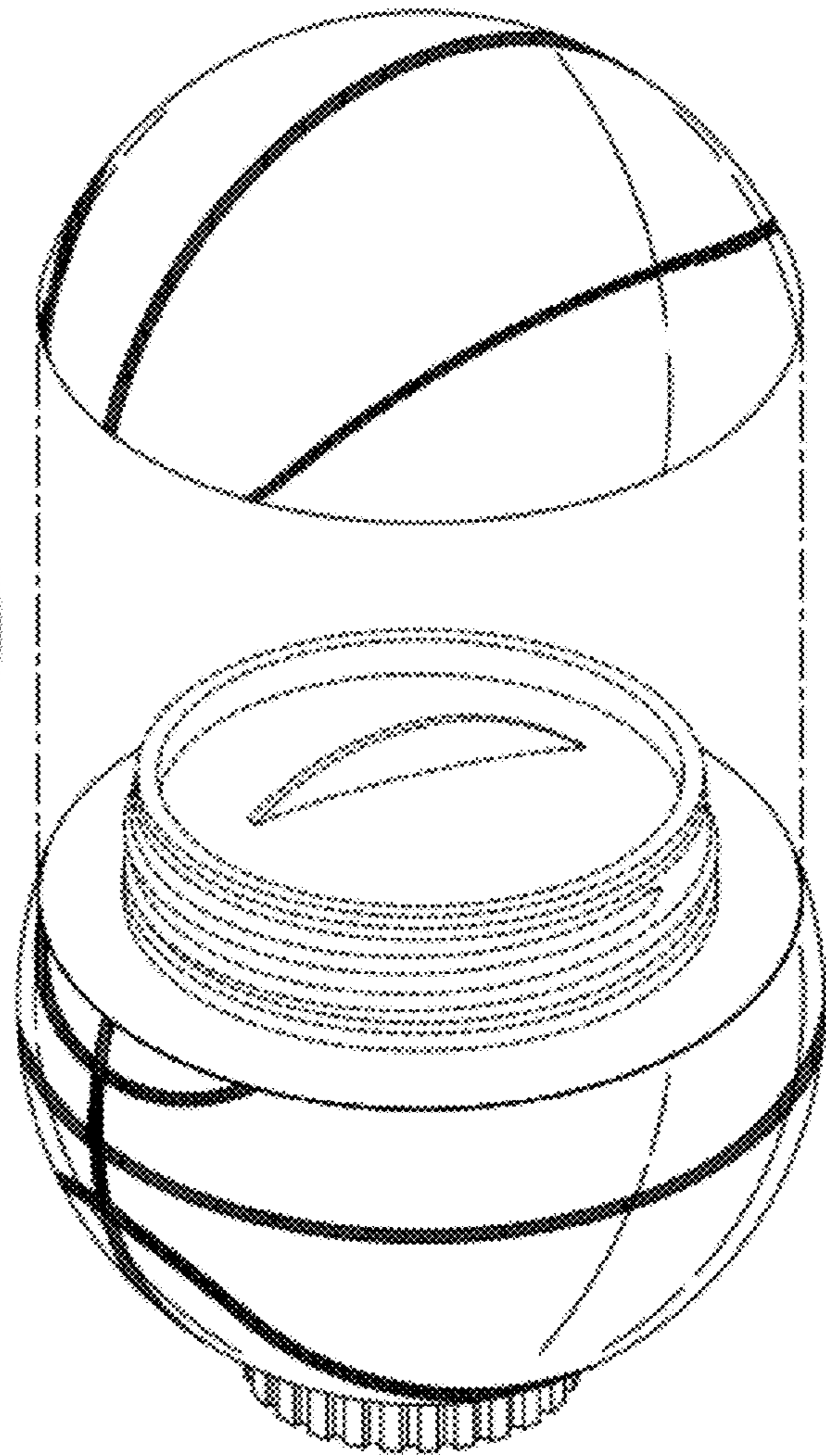


FIG. 8