

US00D665261S

(12) **United States Design Patent**
Mazurkiewicz et al.

(10) **Patent No.:** **US D665,261 S**
(45) **Date of Patent:** **** Aug. 14, 2012**

- (54) **DISPENSING CLOSURE**
 - (75) Inventors: **Timothy R. Mazurkiewicz**, Milwaukee, WI (US); **Daniel Gotsmich**, Hinterschmiding (DE)
 - (73) Assignee: **AptarGroup, Inc.**, Crystal Lake, IL (US)
 - (**) Term: **14 Years**
 - (21) Appl. No.: **29/402,663**
 - (22) Filed: **Sep. 26, 2011**
 - (51) **LOC (9) Cl.** **09-07**
 - (52) **U.S. Cl.** **D9/449**
 - (58) **Field of Classification Search** D9/454, D9/453, 449, 447, 442, 440, 435; D7/392.1; 222/556, 521, 494, 492; 220/837, 835, 820, 220/811, 810, 375, 260, 254.7, 254.3; 215/322, 215/321, 306, 305, 237, 235; 206/540, 539, 206/538, 216
- See application file for complete search history.

- D608,196 S * 1/2010 Beilke D9/449
- D625,189 S * 10/2010 Dias D9/449
- D635,026 S * 3/2011 Stolle D9/449

* cited by examiner

Primary Examiner — Susan Bennett Hattan
(74) *Attorney, Agent, or Firm* — Wood, Phillips, Katz, Clark & Mortimer

(57) **CLAIM**
The ornamental design for a dispensing closure, as shown and described.

DESCRIPTION

FIG. 1 is an isometric view, taken from the front and right side, of a dispensing closure, and FIG. 1 shows our new design with the lid in the closed position as the lid would be initially positioned with the closure body for installation of the closure on a container (not shown) for initial purchase by a consumer;

FIG. 2 is an isometric view thereof as taken from the rear and left side;

FIG. 3 is a top plan view thereof;

FIG. 4 is a front elevational view thereof;

FIG. 5 is a right side elevational view thereof, the left side elevational view thereof being a mirror image; and,

FIG. 6 is a rear elevational view thereof.

The undisclosed bottom view forms no part of the claimed design.

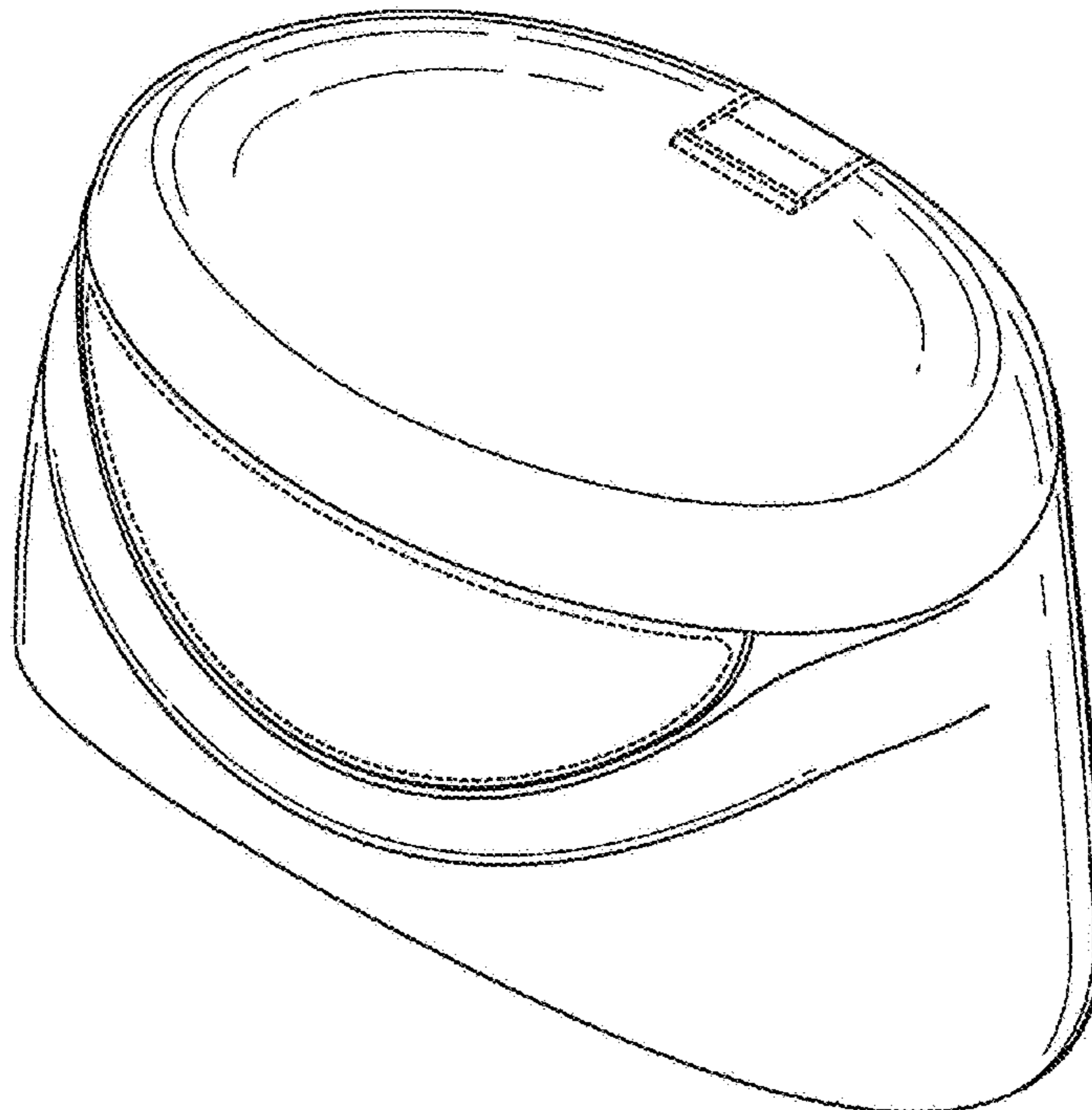
The broken lines in FIGS. 1-6 represent unclaimed subject matter.

(56) **References Cited**

U.S. PATENT DOCUMENTS

- D343,361 S * 1/1994 More D9/529
- 6,834,769 B2 12/2004 Takahashi et al.
- D576,490 S 9/2008 Mazurkiewicz
- D603,266 S * 11/2009 Dibnah et al. D9/529
- 7,611,024 B2 11/2009 Yamanaka et al.

1 Claim, 4 Drawing Sheets



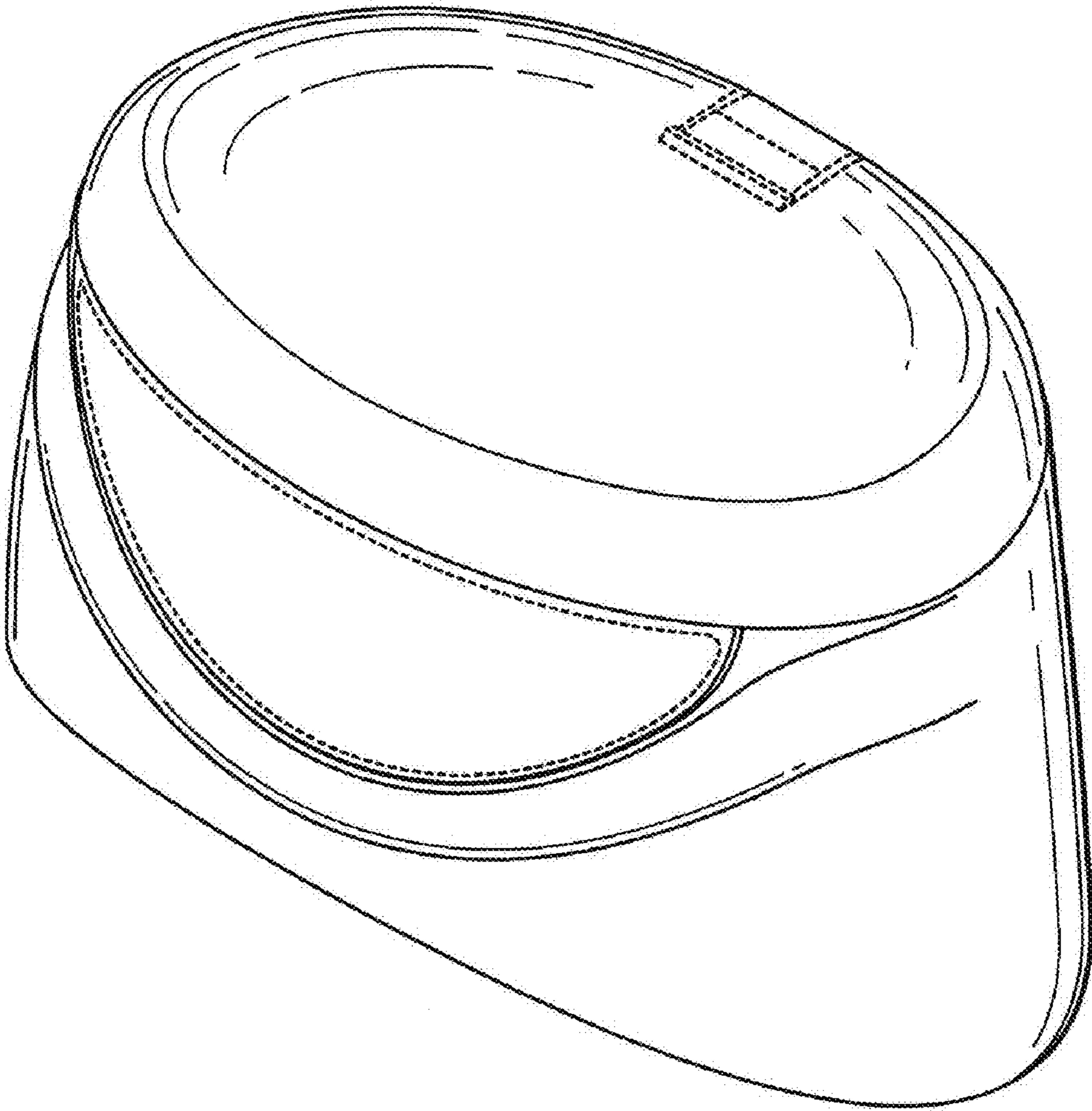


FIG. 1

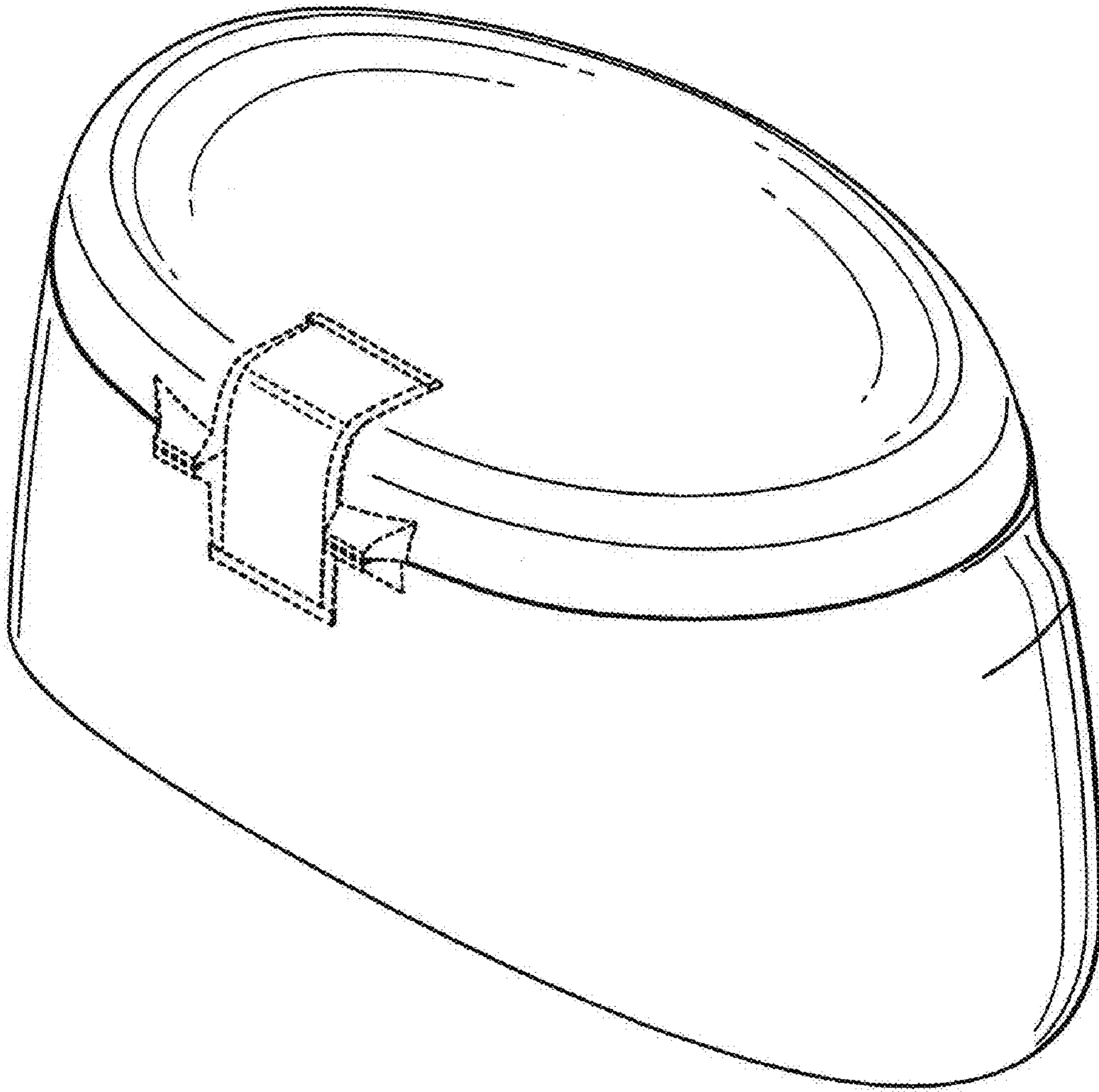


FIG. 2

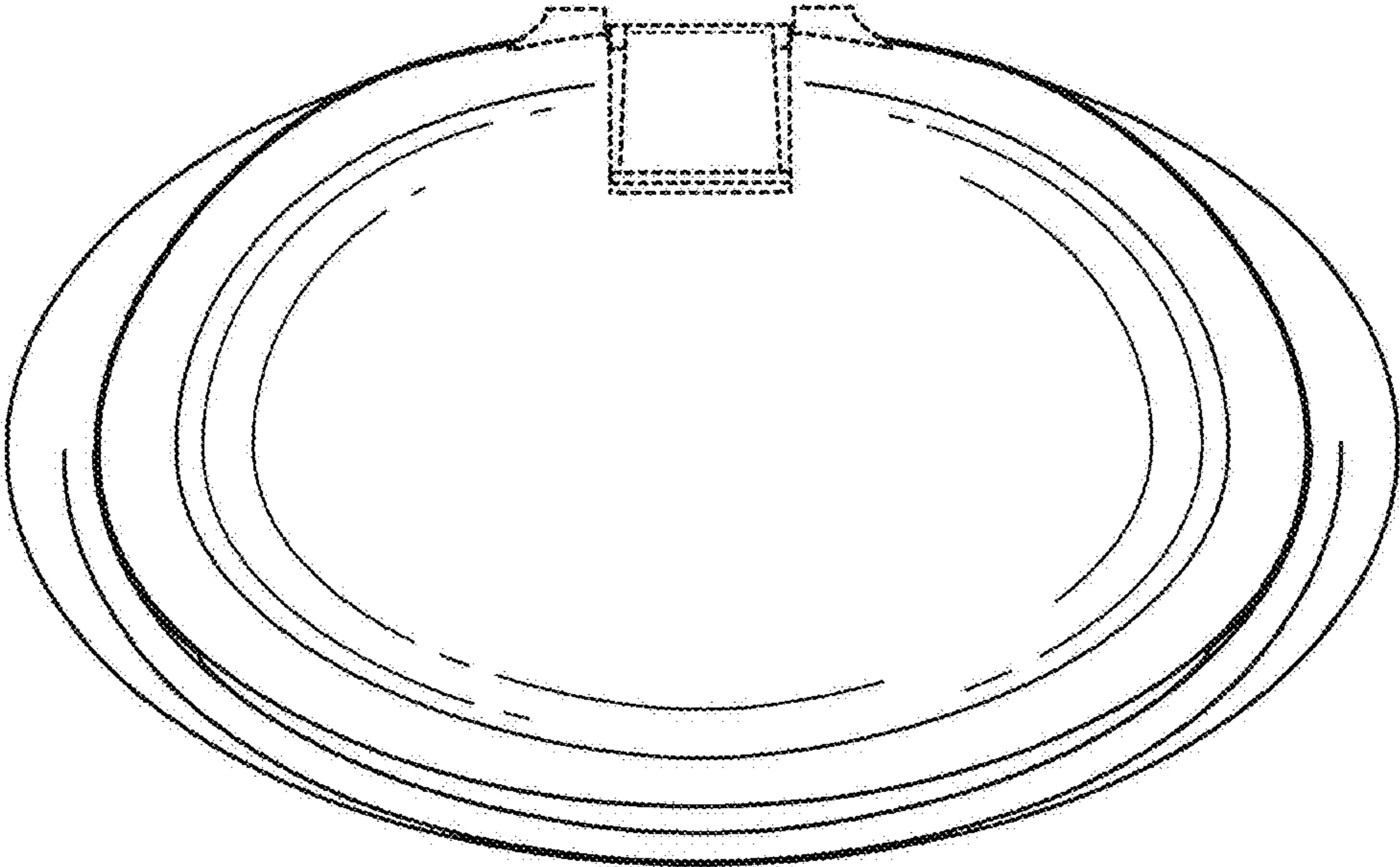


FIG. 3

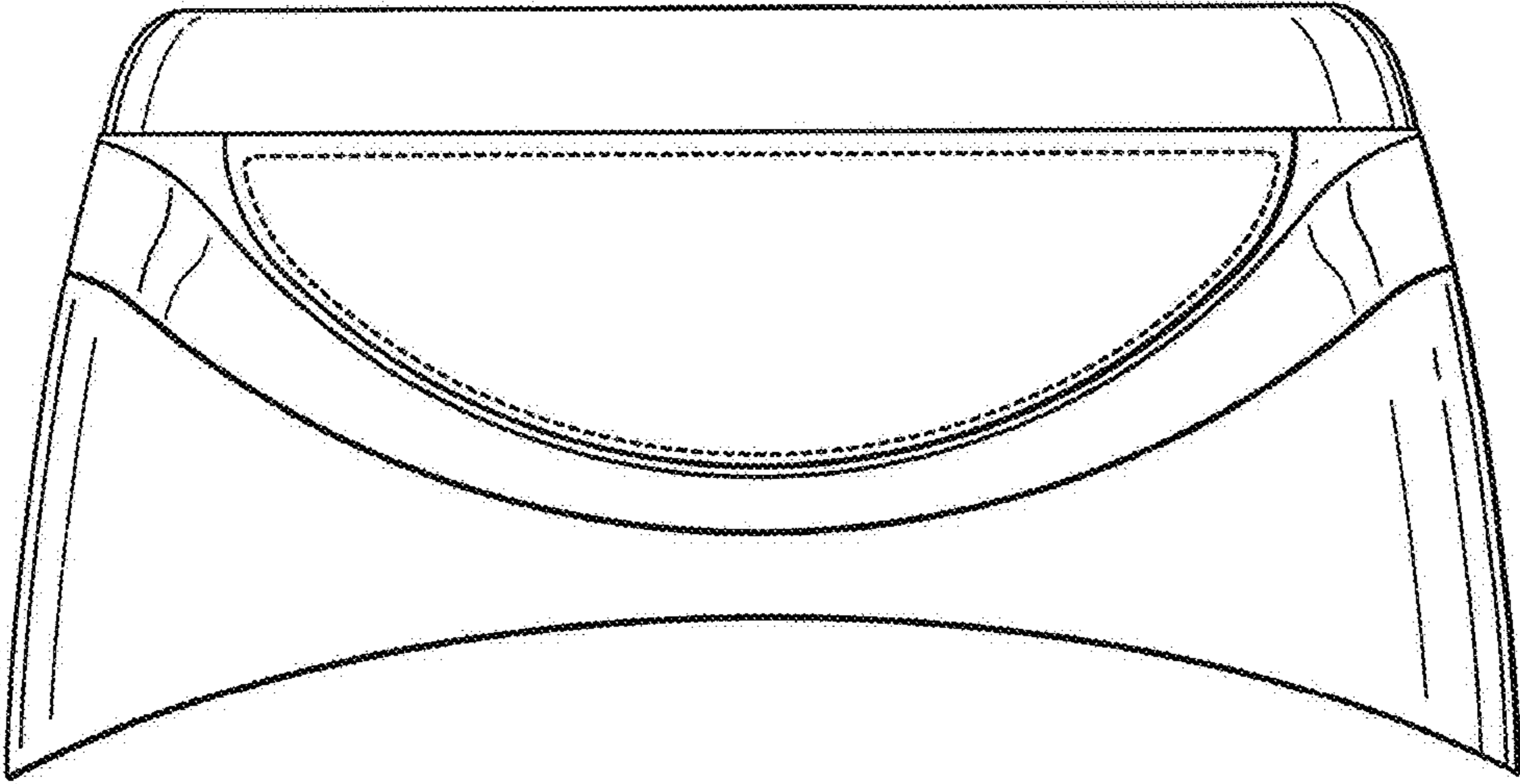


FIG. 4

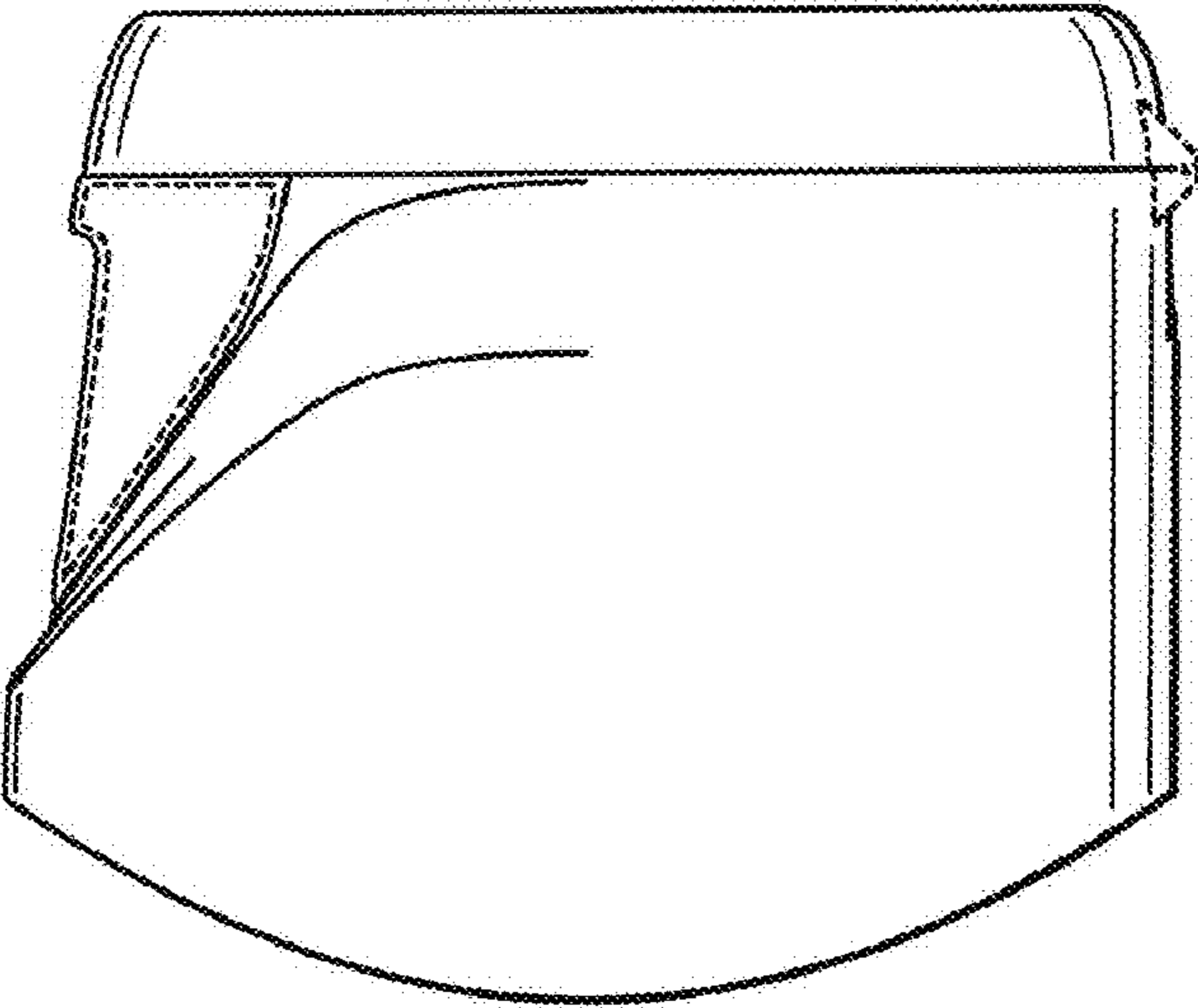


FIG. 5

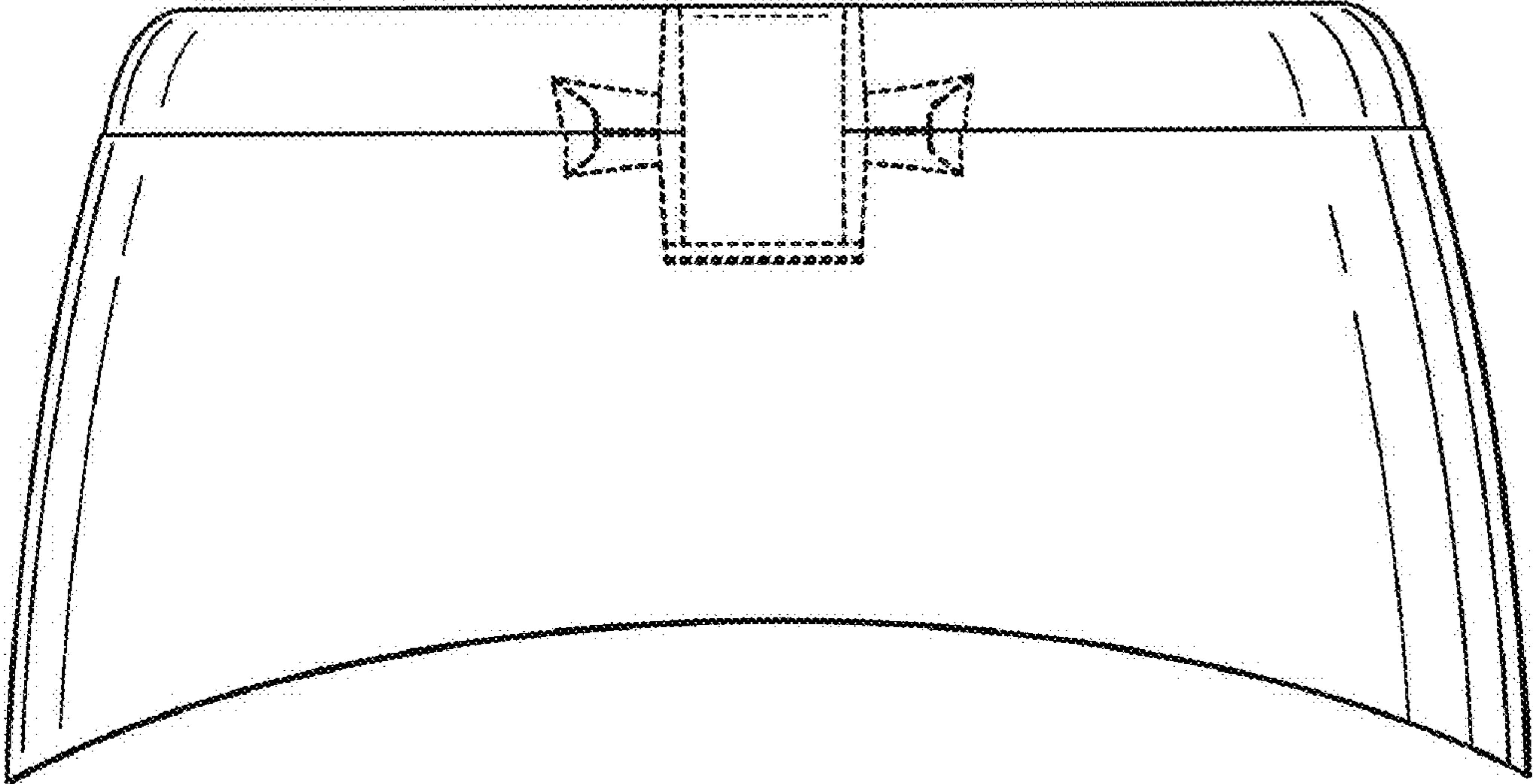


FIG. 6

UNITED STATES PATENT AND TRADEMARK OFFICE
CERTIFICATE OF CORRECTION

PATENT NO. : D665,261 S
APPLICATION NO. : 29/402663
DATED : August 14, 2012
INVENTOR(S) : Mazurkiewicz et al.

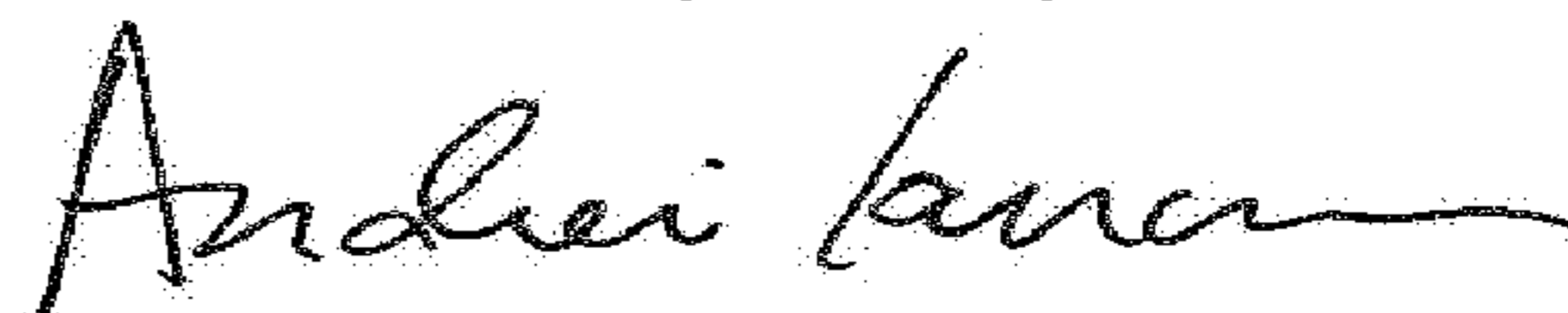
Page 1 of 1

It is certified that error appears in the above-identified patent and that said Letters Patent is hereby corrected as shown below:

On the Title Page

Item (75) please change Timothy R. Mazurkiewicz to Timothy M. Mazurkiewicz

Signed and Sealed this
Tenth Day of July, 2018



Andrei Iancu
Director of the United States Patent and Trademark Office