



US00D665254S

(12) **United States Design Patent**
Miller

(10) **Patent No.:** **US D665,254 S**

(45) **Date of Patent:** **** Aug. 14, 2012**

(54) **AIRWAY DEVICE PACKAGING**

(75) Inventor: **Andrew Miller**, Crowthorne (GB)

(73) Assignees: **Intersurgical AG** (LI); **Muhammad Aslam Nasir** (GB)

(**) Term: **14 Years**

(21) Appl. No.: **29/407,463**

(22) Filed: **Nov. 29, 2011**

(30) **Foreign Application Priority Data**

Jun. 8, 2011 (EM) 001874918

(51) **LOC (9) Cl.** **09-03**

(52) **U.S. Cl.** **D9/424**

(58) **Field of Classification Search** D9/424,
D9/414, 415, 418, 419, 425, 429, 430, 432,
D9/457, 748, 749; D3/201, 203.1, 203.7,
D3/218; 206/223, 303, 352, 363, 389, 461-471,
206/579, 775, 769, 806; 229/116.1, 406;
D24/227, 231

See application file for complete search history.

(56) **References Cited**

U.S. PATENT DOCUMENTS

2,099,127 A	11/1937	Leech	128/207.15
D210,931 S *	5/1968	Vanat et al.	D9/415
3,734,100 A	5/1973	Walker et al.	128/351
4,509,514 A	4/1985	Brain	128/207.15
D305,000 S *	12/1989	Hernandez	D9/415
4,995,388 A	2/1991	Brain	128/207.15
5,082,112 A *	1/1992	Dunklee	206/363
D325,526 S *	4/1992	Deguchi et al.	D9/415
5,241,956 A	9/1993	Brain	128/207.15
5,249,571 A	10/1993	Brain	128/207.14
5,282,464 A	2/1994	Brain	128/207.15
5,297,547 A	3/1994	Brain	128/207.15
5,303,697 A	4/1994	Brain	128/200.26
5,305,743 A	4/1994	Brain	128/207.15

5,355,879 A	10/1994	Brain	128/207.15
D352,236 S *	11/1994	Althaus	D9/748
5,391,248 A	2/1995	Brain	156/242
5,477,851 A	12/1995	Callaghan et al.	128/207.15
5,584,290 A	12/1996	Brain	128/207.15
5,623,921 A	4/1997	Kinsinger et al.	128/200.26
5,632,271 A	5/1997	Brain	128/207.15
5,655,519 A	8/1997	Alfery	128/200.26
5,682,880 A	11/1997	Brain	128/207.15
D387,983 S *	12/1997	Lanoie	D9/424
5,711,293 A	1/1998	Brain	128/200.24

(Continued)

FOREIGN PATENT DOCUMENTS

CA 1 324 551 11/1993

(Continued)

OTHER PUBLICATIONS

“The Development of the Laryngeal Mask-a Brief History of the Invention, Early Clinical Studies and Experimental Work from Which the Laryngeal Mask Evolved” A.I.J. Brain, European Journal of Anesthesiology, 1991, Supplement 4, pp. 5-17.

Primary Examiner — Derrick Holland

(74) *Attorney, Agent, or Firm* — Hayes Soloway P.C.

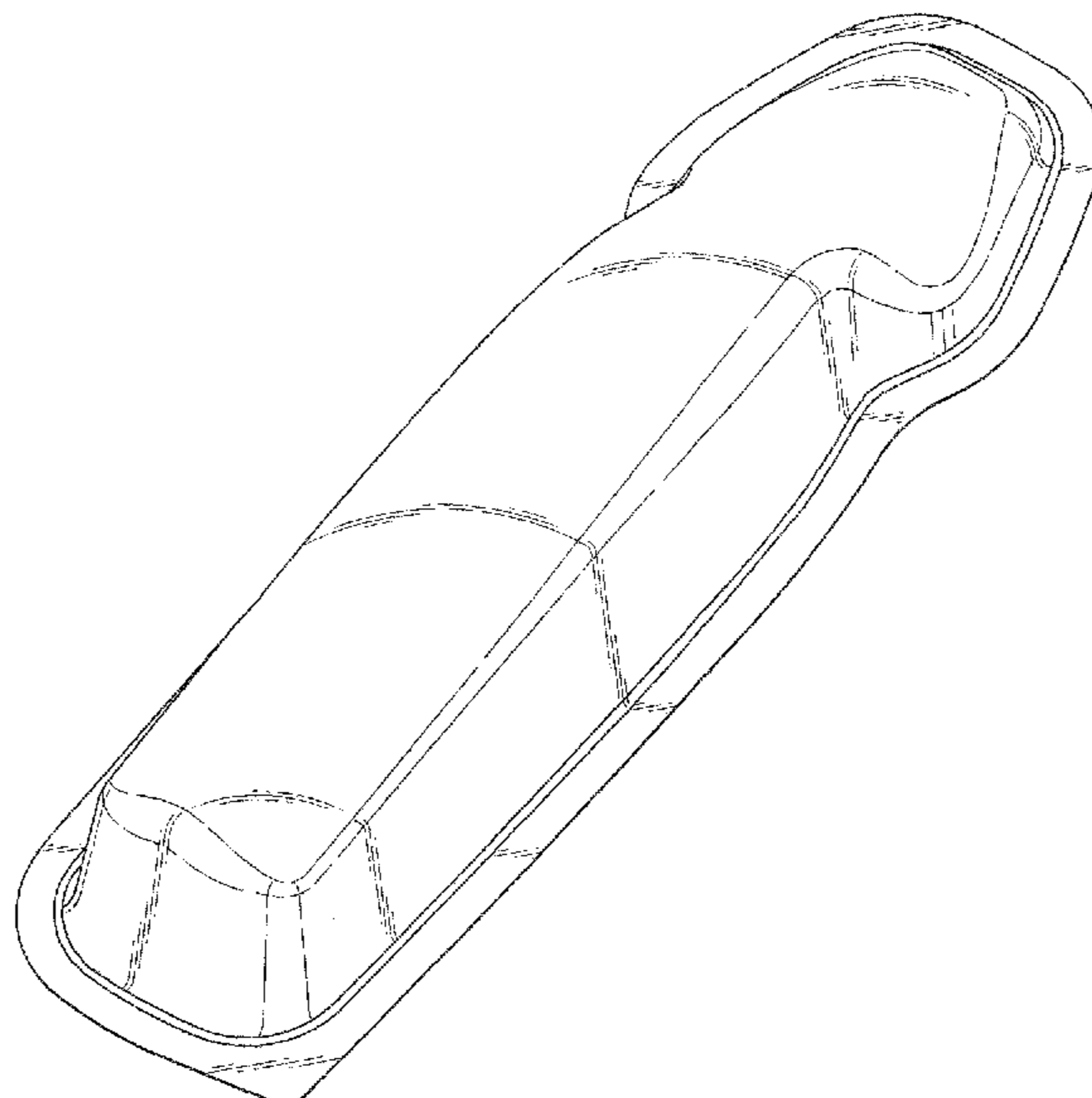
(57) **CLAIM**

The ornamental design for a airway device packaging, as shown and described.

DESCRIPTION

FIG. 1 is a front view of the airway device packaging, showing my new design;
FIG. 2 is a rear elevational view thereof;
FIG. 3 is a side elevational view thereof, the opposite side being a mirror image thereof;
FIG. 4 is a top perspective view thereof;
FIG. 5 is a bottom perspective view thereof; and,
FIG. 6 is a bottom plan view thereof.

1 Claim, 3 Drawing Sheets



US D665,254 S

Page 2

U.S. PATENT DOCUMENTS

5,772,031	A *	6/1998	Landis	206/438
5,791,341	A	8/1998	Bullard	128/207.15
5,878,745	A	3/1999	Brain	128/207.15
5,881,726	A	3/1999	Neame	128/207.15
5,896,858	A	4/1999	Brain	128/207.15
5,921,988	A	7/1999	Legrand	606/87
5,937,859	A	8/1999	Augustine et al.	128/207.15
5,937,860	A	8/1999	Cook	128/207.15
5,964,217	A	10/1999	Christopher	128/200.26
5,988,167	A	11/1999	Kamen	128/207.15
6,003,514	A	12/1999	Pagan	128/207.15
6,055,984	A	5/2000	Brain	128/207.14
6,070,581	A	6/2000	Augustine et al.	128/207.15
6,079,409	A	6/2000	Brain	128/200.26
D429,811	S	8/2000	Bermudez	D24/110.5
D430,015	S *	8/2000	Himbert et al.	D9/425
6,095,144	A	8/2000	Pagan	128/207.15
6,152,136	A	11/2000	Pagan	128/207.15
6,280,675	B1	8/2001	Legrand	264/262
D448,283	S *	9/2001	Chapman	D9/415
6,318,367	B1	11/2001	Mongeon	128/207.15
6,439,232	B1	8/2002	Brain	128/207.15
6,474,332	B2	11/2002	Arndt	128/200.26
6,604,525	B2	8/2003	Pagan	128/207.15
6,631,720	B1	10/2003	Brain	128/207.14
6,679,263	B2	1/2004	Luchetti et al.	128/207.15
6,698,430	B2	3/2004	Van Landuyt	128/207.15
6,705,318	B1	3/2004	Brain	128/207.14
6,792,948	B2	9/2004	Brain	128/207.14
6,918,388	B2	7/2005	Brain	128/200.26
D518,572	S	4/2006	Nasir	D24/110.5
D518,890	S	4/2006	Nasir	D24/110.5
7,040,312	B2	5/2006	Alfery et al.	128/200.26
D525,118	S *	7/2006	Mentasti	D9/415
D536,609	S *	2/2007	Moskovich et al.	D9/415
7,263,998	B2	9/2007	Miller	128/207.15
D574,704	S *	8/2008	Senter	D9/424
D606,856	S *	12/2009	Ginsberg et al.	D9/424
D611,138	S	3/2010	Nasir	D24/110.5
D615,188	S	5/2010	Nasir	D24/110.5
7,806,119	B2	10/2010	Nasir	128/205.25
2001/0015207	A1	8/2001	Pagan	128/207.15
2002/0010417	A1	1/2002	Bertram	604/96.01
2002/0078961	A1	6/2002	Collins	128/207.15
2002/0112728	A1	8/2002	Landuyt	128/207.15
2002/0170556	A1	11/2002	Gaitini	128/200.14
2003/0037790	A1	2/2003	Brain	128/207.14
2003/0066532	A1	4/2003	Gobel	128/207.15
2003/0101998	A1	6/2003	Zocca et al.	128/207.15
2003/0136413	A1	7/2003	Brain et al.	128/207.15
2003/0172925	A1	9/2003	Zocca et al.	128/202.22
2003/0172933	A1	9/2003	Nimmo	128/207.14
2004/0020488	A1	2/2004	Kniewasser	128/204.18
2004/0020491	A1	2/2004	Fortuna	128/207.15
2005/0051173	A1	3/2005	Brain	128/207.14
2005/0051175	A1	3/2005	Brain	128/207.14

2005/0066975	A1	3/2005	Brain	128/207.15
2005/0103345	A1	5/2005	Brain	128/207.15
2006/0081245	A1	4/2006	Gould	128/200.26

FOREIGN PATENT DOCUMENTS

CA	2 191 749	12/1995
CA	2 346 248	4/2000
CN	1 166 138	11/1997
CN	1 236 323	11/1999
CN	1 351 509	5/2002
DE	42 33 933	4/1993
DE	43 30 032	4/1994
DE	43 30 032	7/1994
DE	195 00 550	7/1996
DE	299 02 267	7/1999
DE	201 00 176	5/2001
DE	202 06 692	8/2002
EP	0 277 797	8/1988
EP	0 389 272	9/1990
EP	0 448 878	10/1991
EP	0 794 807	9/1997
EP	0 834 331	8/1998
EP	0 857 492	8/1998
EP	0 911 049	4/1999
EP	0 935 971	8/1999
EP	1 125 595	8/2001
ES	1 046 206	1/2000
FR	2 094 264	1/1972
FR	2 690 018	10/1993
FR	2 760 186	9/1998
FR	2 807 307	10/2001
FR	2 827 482	1/2003
FR	2 851 107	8/2004
GB	2 113 348	8/1983
GB	2 128 561	5/1984
GB	2 168 256	6/1986
GB	2 249 959	5/1992
GB	2 267 034	11/1993
GB	2 285 765	7/1995
GB	2 317 342	3/1998
GB	2 337 020	11/1999
GB	2 359 996	9/2001
GB	2 364 644	2/2002
GB	2 373 188	9/2002
GB	2 393 399	3/2004
GB	2 404 863	2/2005
IE	922073	12/1993
IT	1224077	9/1990
TW	224047	11/2004
WO	WO 94/17848	8/1994
WO	WO 98/06276	2/1998
WO	WO 98/50096	11/1998
WO	WO 99/24101	5/1999
WO	WO 00/30706	6/1999
WO	WO 00/61213	10/2000
WO	WO 0197890	12/2001
WO	WO 02/32490	4/2002
WO	WO 2004/016308	2/2004

* cited by examiner

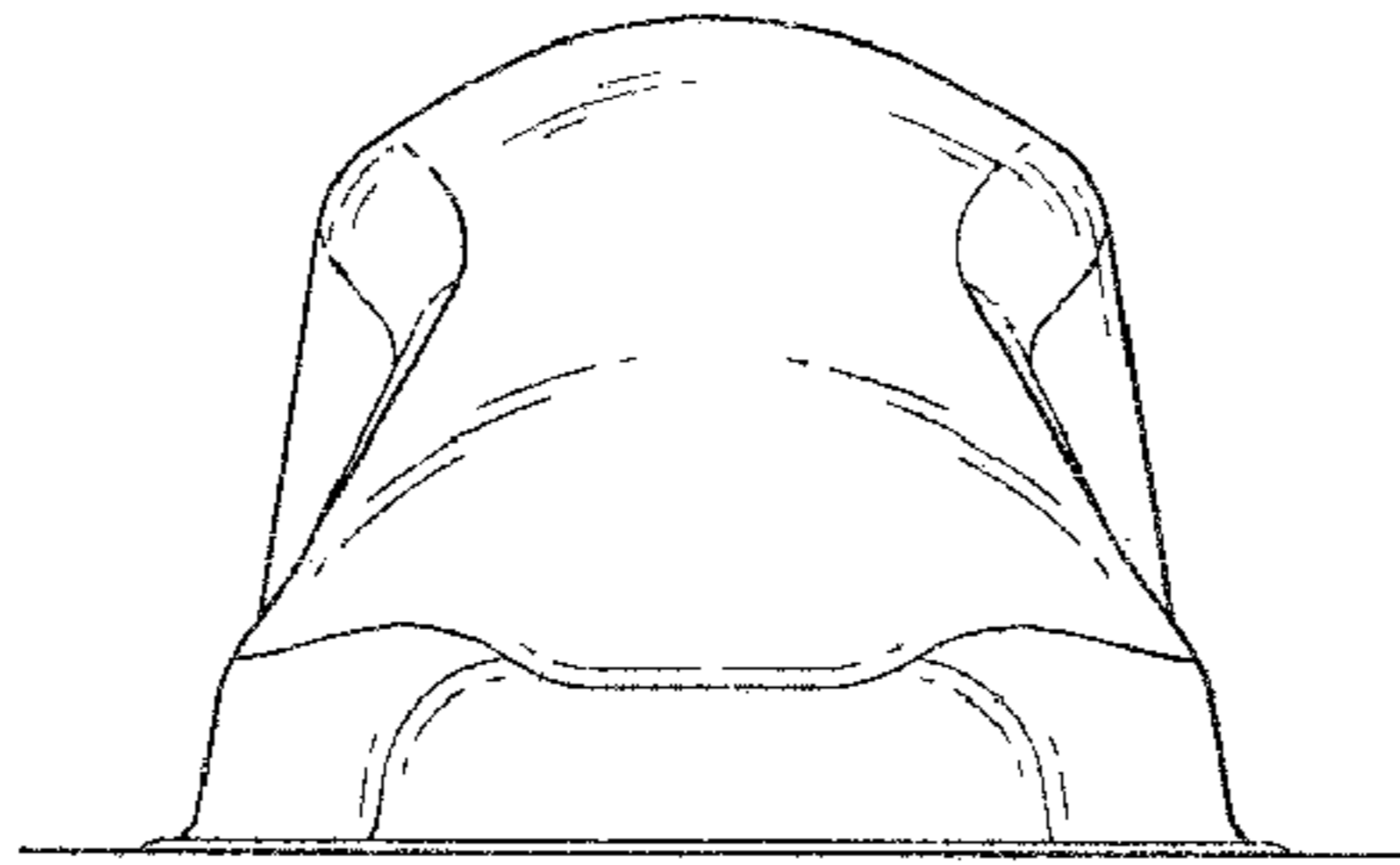


FIG. 1

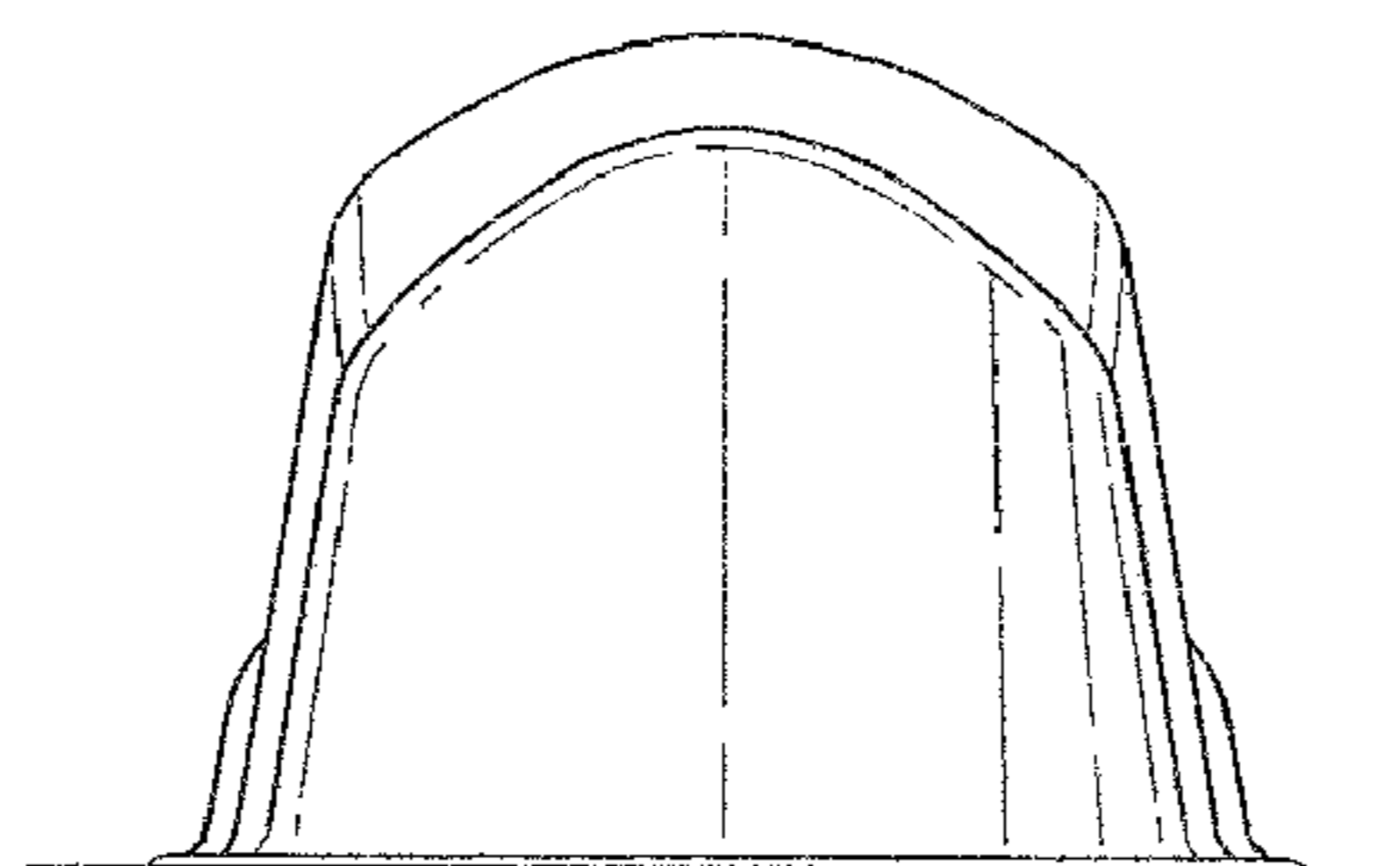


FIG. 2

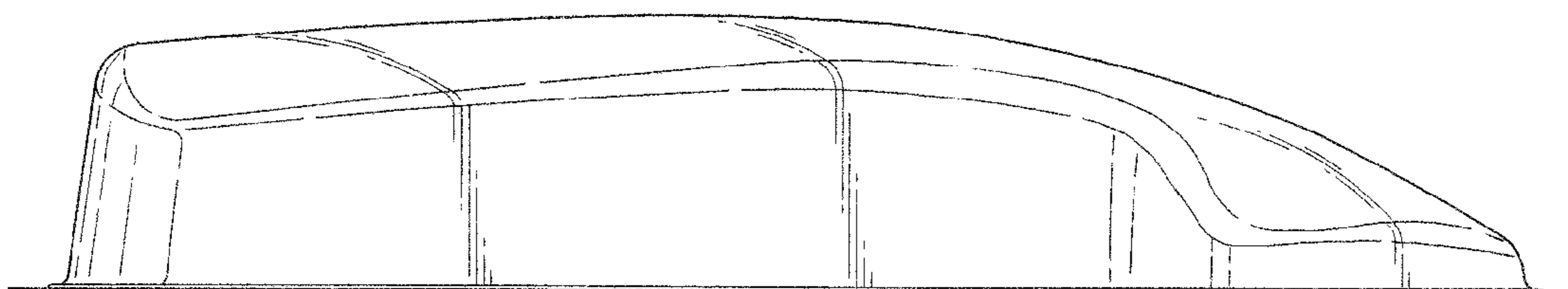


FIG. 3

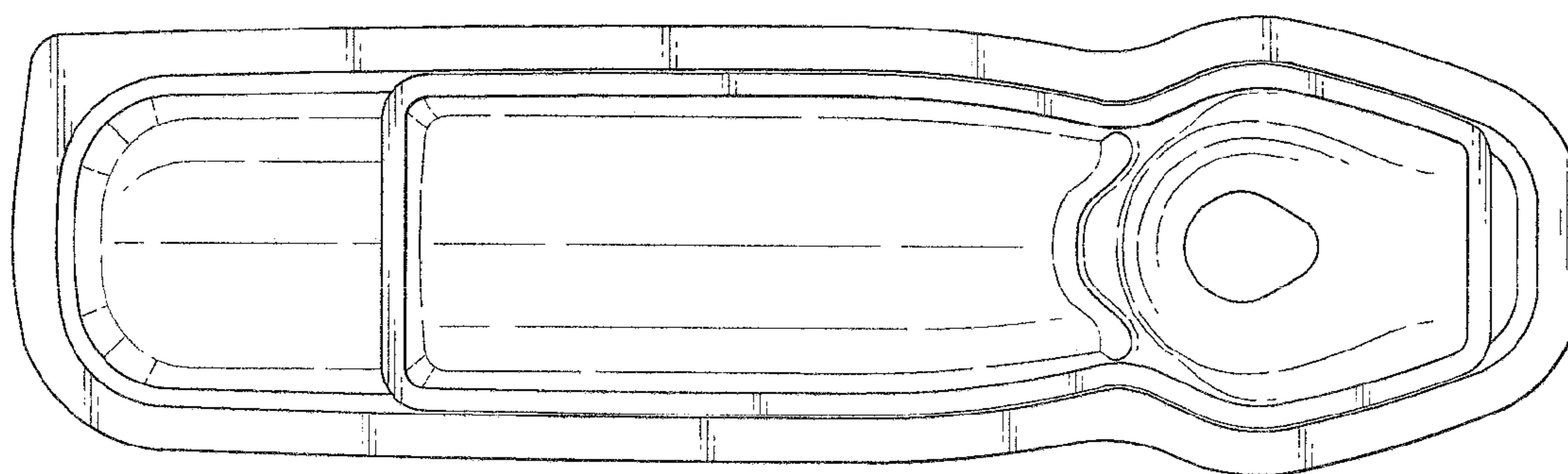


FIG. 6

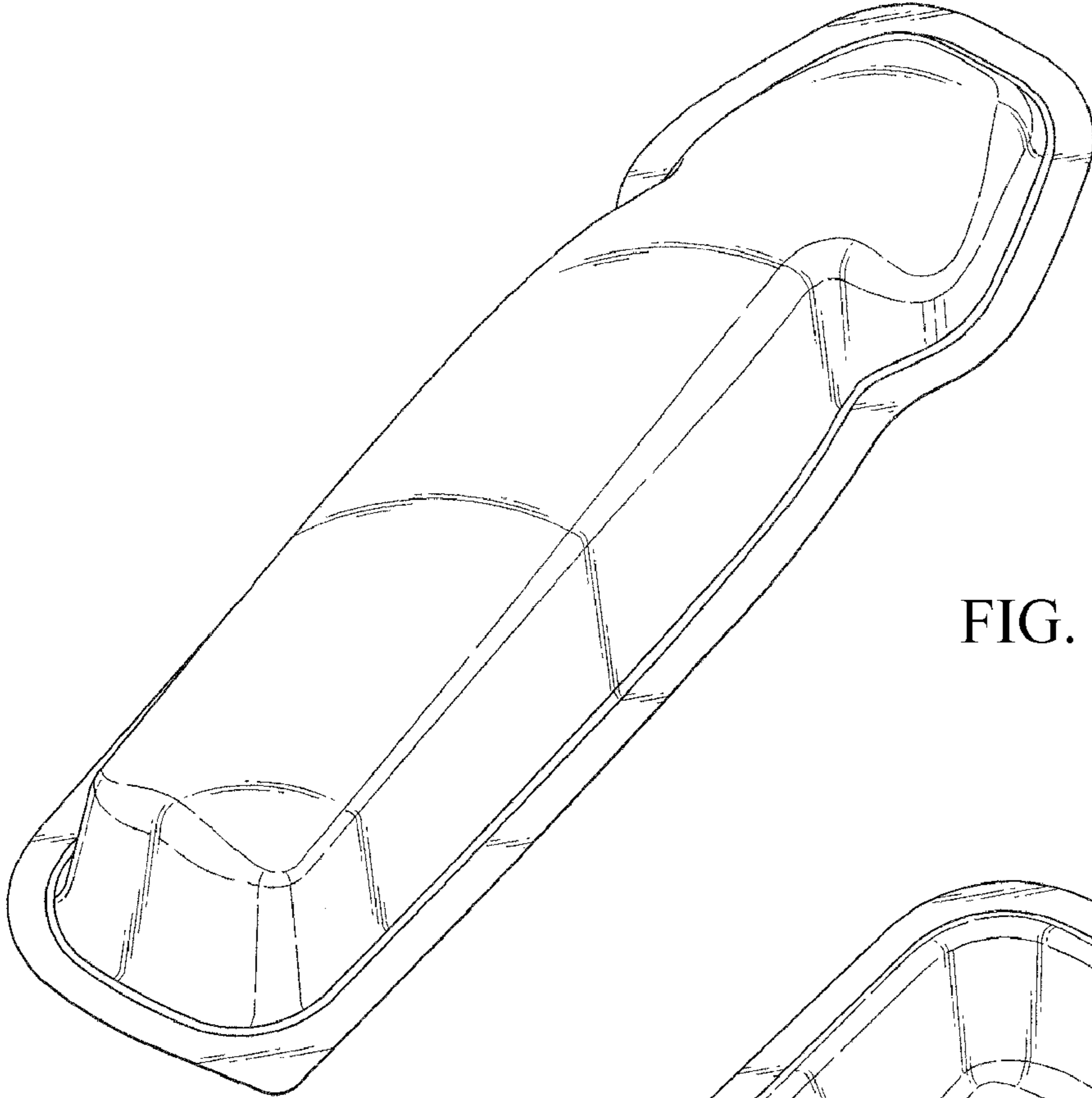


FIG. 4

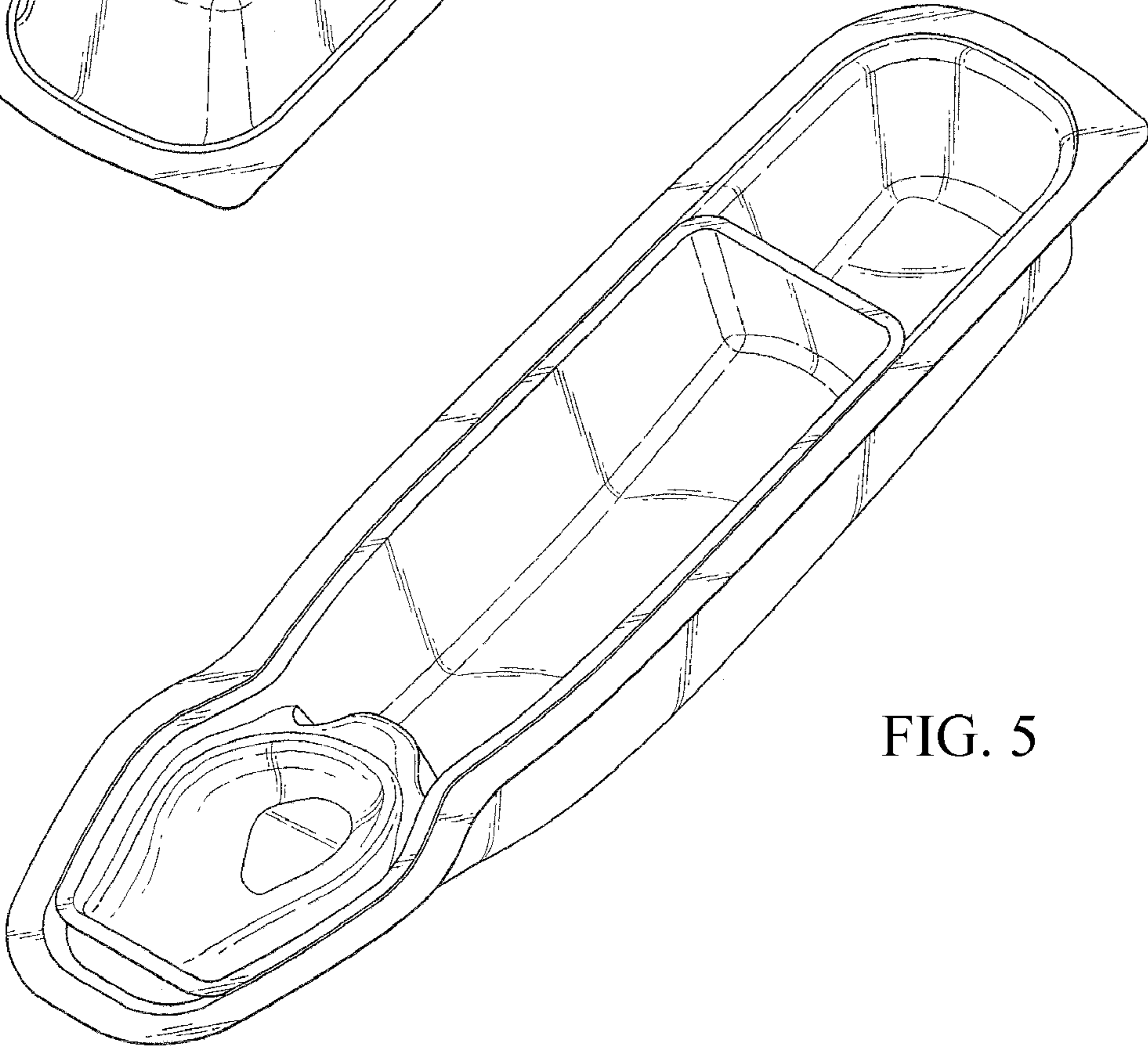


FIG. 5

UNITED STATES PATENT AND TRADEMARK OFFICE
CERTIFICATE OF CORRECTION

PATENT NO. : D665,254 S
APPLICATION NO. : 29/407463
DATED : August 14, 2012
INVENTOR(S) : Miller

Page 1 of 1

It is certified that error appears in the above-identified patent and that said Letters Patent is hereby corrected as shown below:

On the title page Item [73] should be:

Item [73] Assignees: Intersurgical AG (LI); "Muhammad Aslam Nasir (GB)" to --Muhammed Aslam Nasir (GB)--.

Signed and Sealed this
Twenty-fourth Day of June, 2014



Michelle K. Lee
Deputy Director of the United States Patent and Trademark Office