

US00D665253S

(12) **United States Design Patent**
Bellamah et al.

(10) **Patent No.:** **US D665,253 S**
(45) **Date of Patent:** **** Aug. 14, 2012**

(54) **CONTAINER**

(75) Inventors: **Stephen J. Bellamah**, Midlothian, VA (US); **William T. Griffin**, Chesterfield, VA (US); **Dominic J. C. Howard**, Midlothian, VA (US); **Robert T. Mitten**, Glen Allen, VA (US)

3,894,654 A	7/1975	Frankenberg	
3,913,774 A	10/1975	Vajtay	
4,098,421 A	7/1978	Foster	
4,190,170 A	2/1980	Boyd	
D265,977 S *	8/1982	Strongwater D9/424
4,440,307 A	4/1984	Bartels et al.	
4,646,933 A	3/1987	Jurczenia et al.	
D291,608 S *	8/1987	Chevassus D28/83
4,715,496 A	12/1987	Hackmann	

(Continued)

(73) Assignee: **Philip Morris USA Inc.**, Richmond, VA (US)

(**) Term: **14 Years**

(21) Appl. No.: **29/403,181**

(22) Filed: **Oct. 3, 2011**

Related U.S. Application Data

(62) Division of application No. 29/293,587, filed on Nov. 30, 2007, now Pat. No. Des. 646,159.

(51) **LOC (9) Cl.** **09-03**

(52) **U.S. Cl.** **D9/424**

(58) **Field of Classification Search** D9/424, D9/414, 416, 422, 425, 428, 429, 432; D3/205, D3/265, 273, 294, 312; 206/352, 354, 355, 206/503-505, 508, 581, 815, 822; 220/345.1, 220/345.3, 659, 669, 675, 691; 229/406
See application file for complete search history.

(56) **References Cited**

U.S. PATENT DOCUMENTS

411,773 A	10/1889	Atkinson
663,415 A	12/1900	Charles
1,072,820 A	9/1913	Carnes
2,023,341 A	12/1935	Downes-Shaw et al.
2,062,542 A	12/1936	Warren
2,412,528 A	12/1946	Morrell
2,523,251 A	9/1950	Pantalone et al.
3,042,247 A	7/1962	Bonnet
3,206,016 A	9/1965	Fowle et al.

FOREIGN PATENT DOCUMENTS

CA 2547369 A1 11/2007
(Continued)

OTHER PUBLICATIONS

Copending U.S. Appl. No. 12/292,607, filed Nov. 21, 2008.
(Continued)

Primary Examiner — Derrick Holland

(74) *Attorney, Agent, or Firm* — Buchanan Ingersoll & Rooney PC

(57) **CLAIM**

The ornamental design for a container, as shown and described.

DESCRIPTION

FIG. 1 is a front, right and top perspective view of a container showing our new design, the rear view being a mirror image thereof.

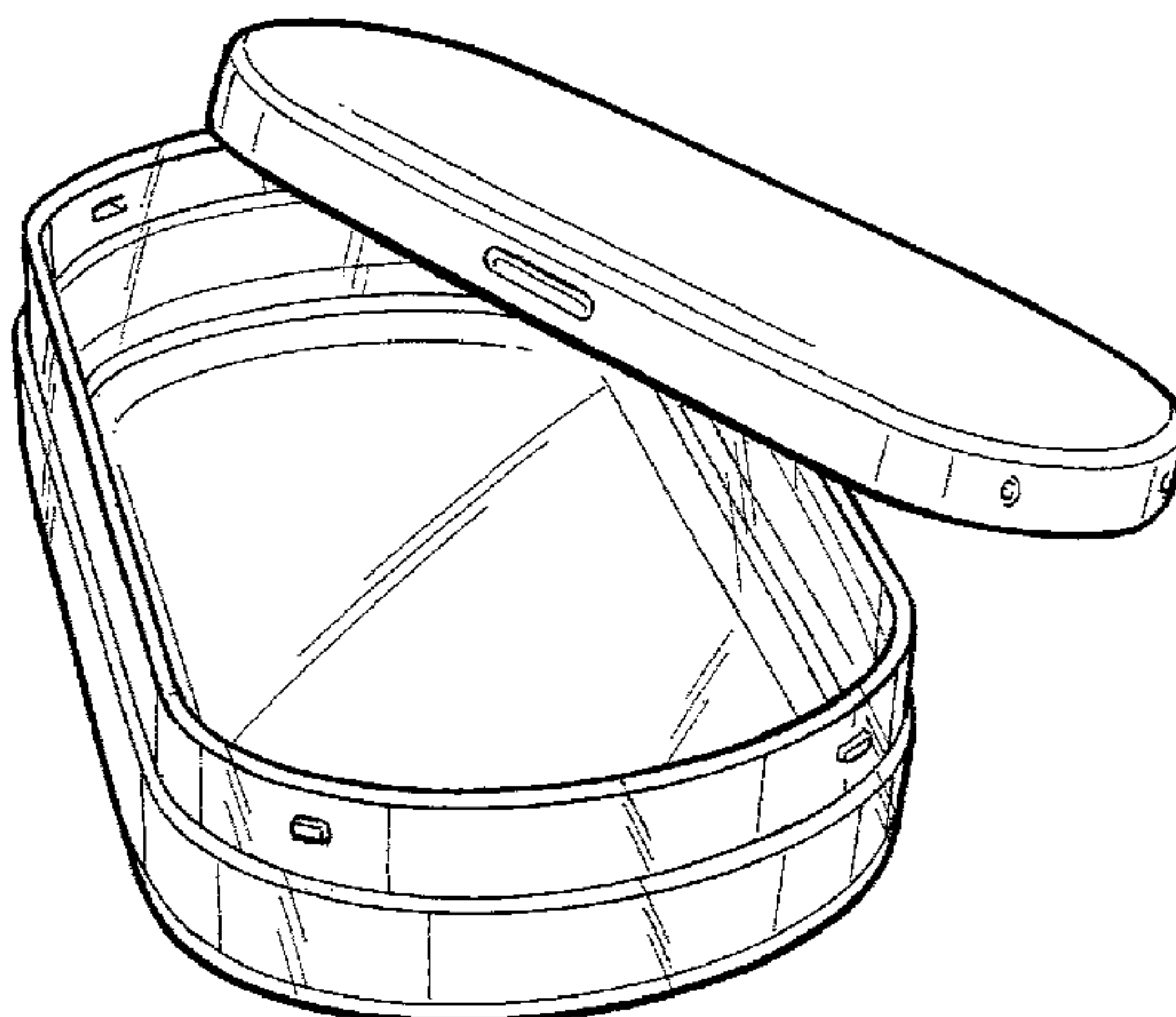
FIG. 2 is a rear, left perspective view thereof in a partially open position.

FIG. 3 is a further front, right and top perspective view thereof.

FIG. 4 is a further rear, left perspective view thereof in a partially open position; and,

FIG. 5 is a top, front perspective view thereof.

1 Claim, 3 Drawing Sheets



US D665,253 S

Page 2

U.S. PATENT DOCUMENTS

4,804,101	A	2/1989	Heath	
4,850,504	A	7/1989	Grindrod et al.	
4,955,531	A	9/1990	Graboyes	
5,143,282	A	9/1992	Pham	
D341,482	S	11/1993	McMillan	
5,259,526	A	11/1993	Stolzman	
5,341,925	A	8/1994	Fleenor et al.	
5,460,287	A	10/1995	Cargile et al.	
5,478,011	A	12/1995	Pham	
5,611,451	A	3/1997	Mosior et al.	
5,676,272	A	10/1997	Baerenwald	
5,782,371	A	7/1998	Baerenwald et al.	
5,791,473	A	8/1998	Decker et al.	
5,794,814	A	8/1998	Baerenwald	
D407,972	S	4/1999	Hilton	
D412,786	S	8/1999	Killinger	
D427,432	S	7/2000	Au et al.	
D433,940	S	11/2000	Lindsay et al.	
D448,668	S	10/2001	Baerenwald et al.	
D454,689	S	3/2002	Gonda et al.	
D456,713	S	5/2002	Bried et al.	
D462,613	S	9/2002	Bried et al.	
D464,567	S	10/2002	Baerenwald et al.	
D469,607	S	2/2003	Wolff	
D474,402	S	5/2003	Baerenwald	
D481,867	S	11/2003	Hotz	
D484,409	S	12/2003	Haggerty et al.	
6,732,873	B2	5/2004	Bried et al.	
D491,315	S *	6/2004	Dittmer et al. D28/83	
D494,474	S	8/2004	Houk et al.	
D512,636	S	12/2005	Pace	
D514,936	S	2/2006	Pace et al.	
D515,426	S	2/2006	Pace et al.	
D515,429	S	2/2006	Pace	
D515,439	S	2/2006	Pace	
D515,928	S	2/2006	Pace	
D518,728	S	4/2006	Frantz	
D523,752	S	6/2006	Bried et al.	

D525,120	S	7/2006	Maskell et al.
D527,995	S	9/2006	Tanner
D531,036	S	10/2006	Bried et al.
D536,614	S	2/2007	Peterson et al.
D541,176	S	4/2007	Bried
D548,070	S	8/2007	Swain
2003/0153446	A1	8/2003	Focke et al.
2004/0144661	A1	7/2004	Lutzig
2006/0060480	A1	3/2006	Budd
2006/0101564	A1	5/2006	Powdermaker
2006/0118589	A1	6/2006	Arnarp et al.
2006/0283721	A1	12/2006	Kutsch et al.
2007/0012711	A1	1/2007	Kutsch et al.
2007/0110928	A1	5/2007	Bried et al.
2007/0130811	A1	6/2007	Shevelev et al.

FOREIGN PATENT DOCUMENTS

CH	694145	A5	8/2004
DE	4103612	A1	8/1992
DE	4109702	A1	9/1992
EP	0434962	A1	7/1991
EP	0900736	A2	3/1999
GB	1004671	A	9/1965
GB	2032887		5/1980
WO	WO 00/43289		7/2000

OTHER PUBLICATIONS

Partial International Search Report dated Oct. 13, 2008 for PCT/IB2008/001836.

International Search Report and Written Opinion mailed Feb. 23, 2009 by the European Patent Office in International Application No. PCT/EP2008/010056.

International Preliminary Report on Patentability mailed Jun. 10, 2010 by The International Bureau of WIPO in corresponding International Application No. PCT/EP2008/010056.

* cited by examiner

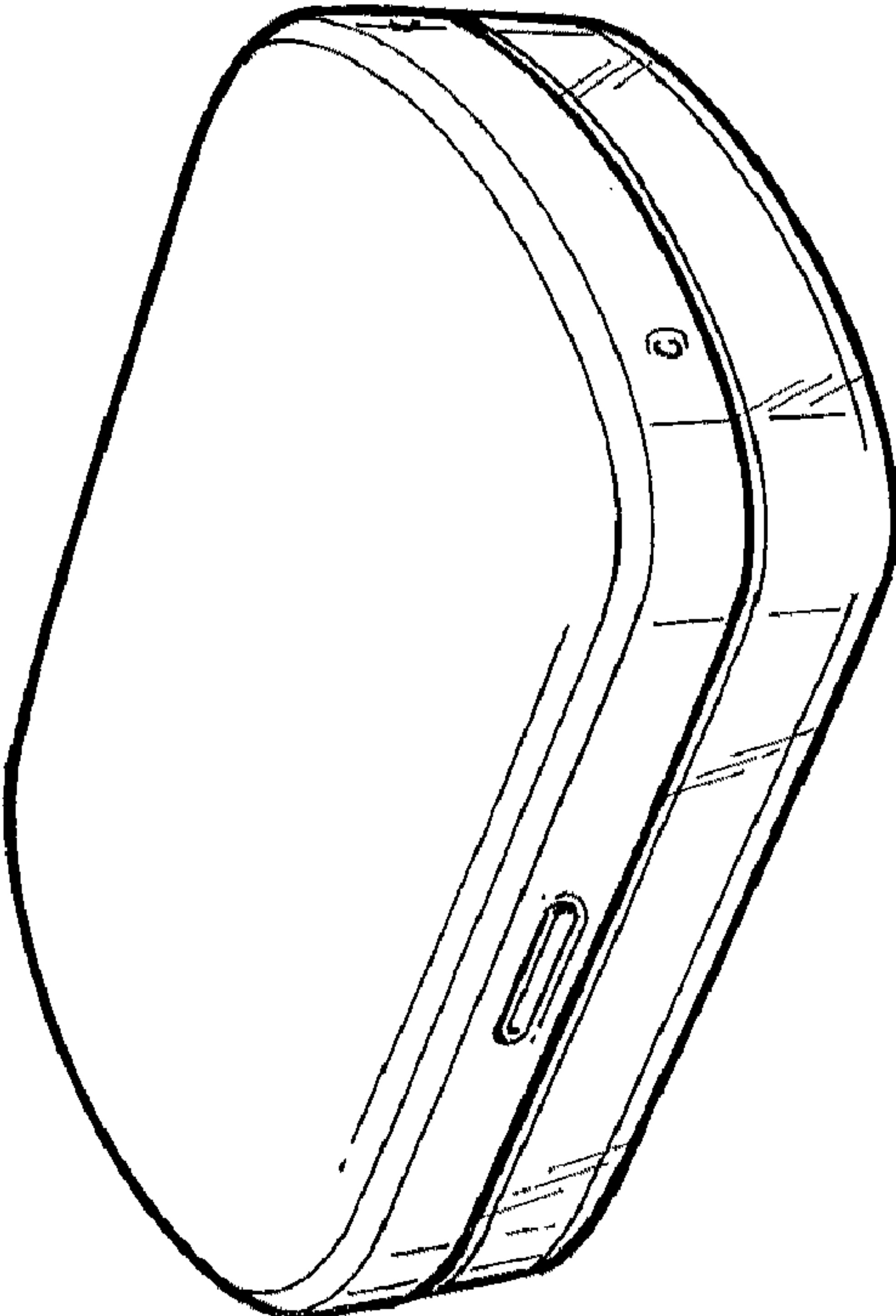


FIG. 1

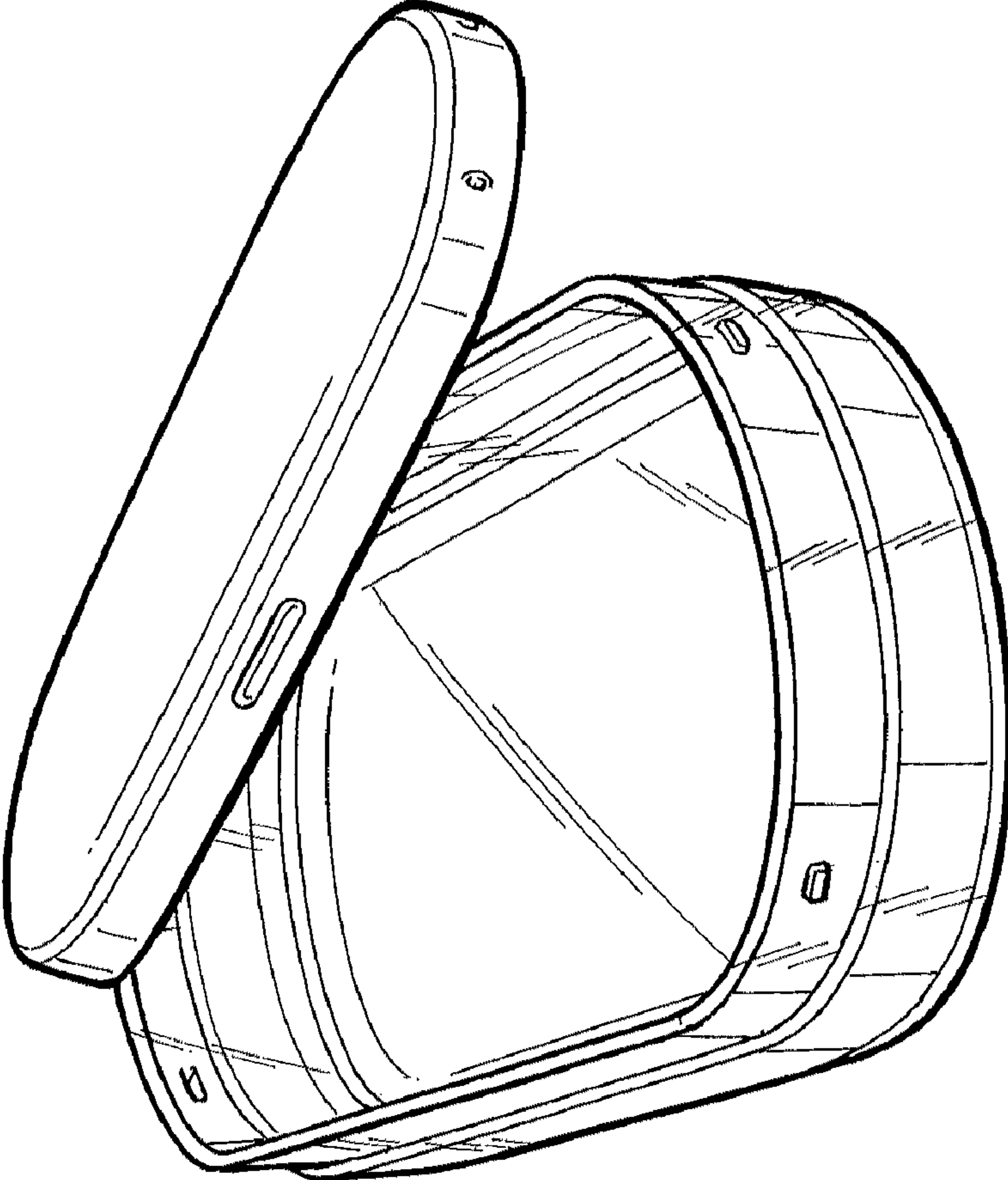


FIG. 2

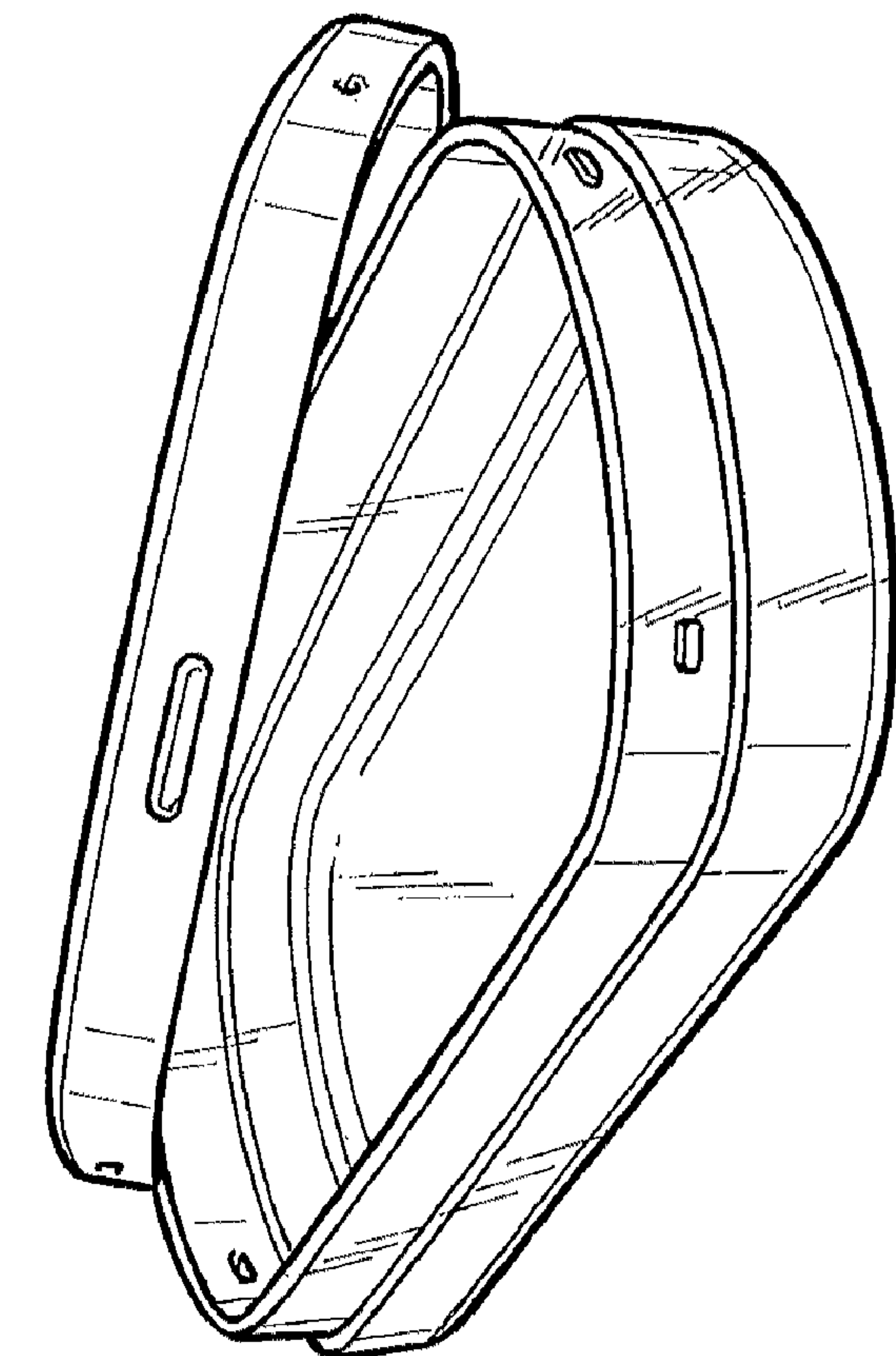


FIG. 4

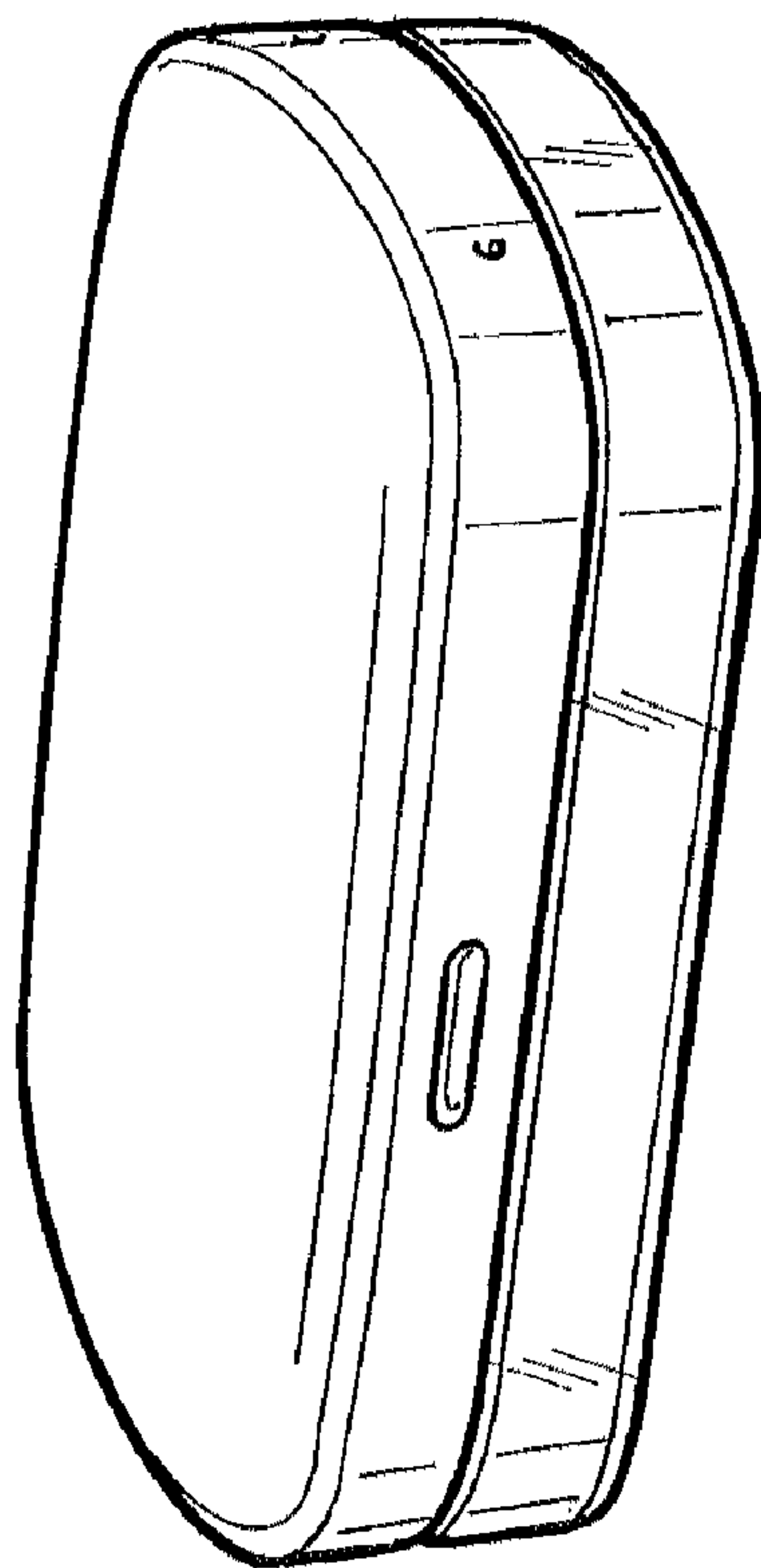


FIG. 3

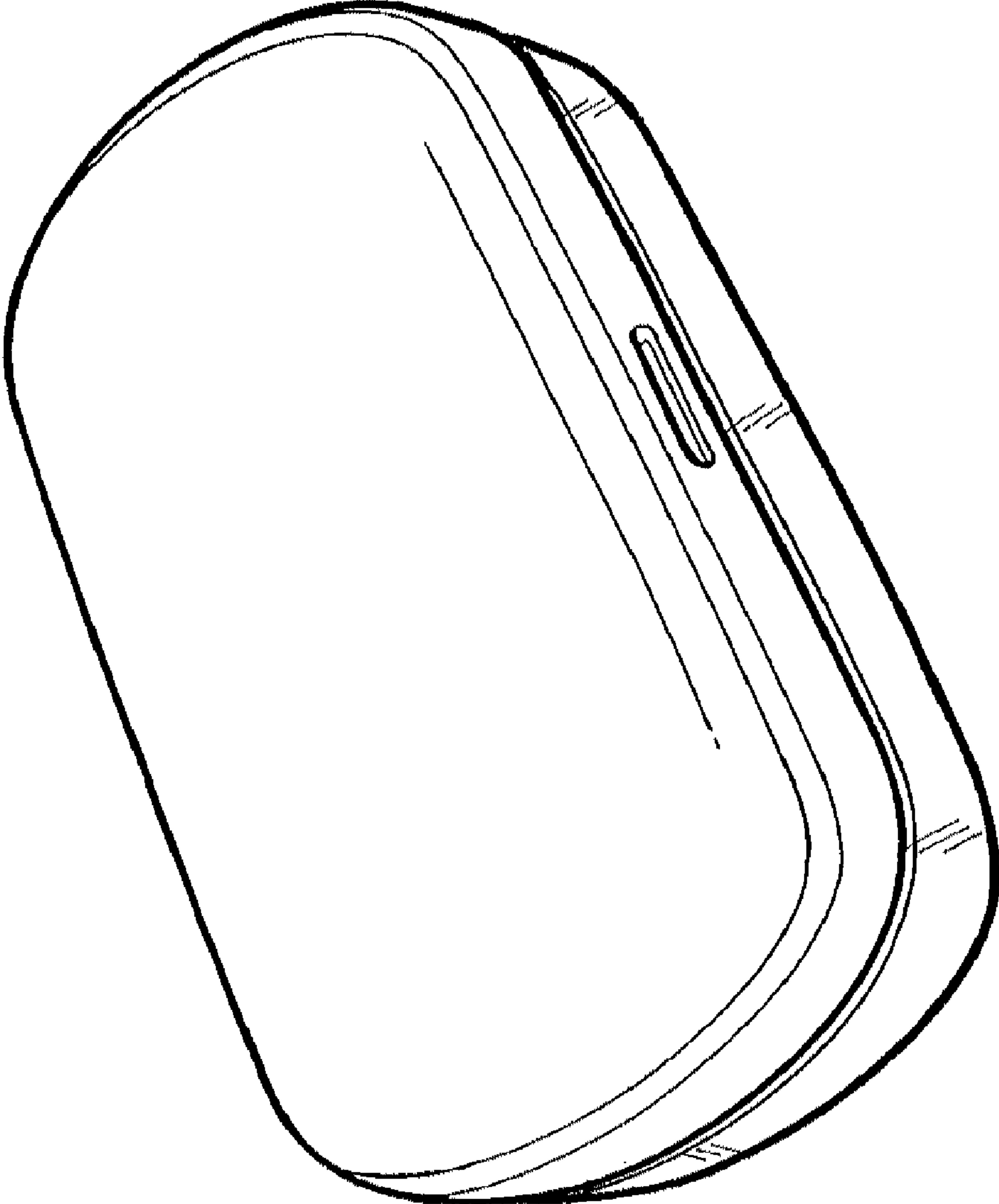


FIG. 5