



US00D665252S

(12) **United States Design Patent**
Mulready

(10) **Patent No.:** **US D665,252 S**

(45) **Date of Patent:** **** Aug. 14, 2012**

(54) **CONFECTION CONTAINER**

(75) Inventor: **Daragh Mulready**, Denver, CO (US)

(73) Assignee: **Amusemints, LLC**, Denver, CO (US)

(**) Term: **14 Years**

(21) Appl. No.: **29/375,289**

(22) Filed: **Sep. 20, 2010**

(51) **LOC (9) Cl.** **09-03**

(52) **U.S. Cl.** **D9/418; D9/428**

(58) **Field of Classification Search** 222/92;
206/6.1, 5.1, 303, 530-538, 566, 581, 823,
206/459.5; 220/8, 4.26, 4.27, 253, 288, 376,
220/380, 907; 229/4.5; 132/293-294, 315;
D28/7-8, 76-82; D3/203.1-203.8, 201,
D3/205; D9/428, 414, 420-424, 503, 504,
D9/521, 337, 780; D21/312

See application file for complete search history.

(56) **References Cited**

U.S. PATENT DOCUMENTS

D480,303 S *	10/2003	Tompkins	D9/428
D513,386 S *	1/2006	Pace et al.	D9/504
D514,936 S *	2/2006	Pace et al.	D9/504
D515,426 S *	2/2006	Pace et al.	D9/504
D515,928 S *	2/2006	Pace	D9/504
D523,750 S *	6/2006	Lee et al.	D9/549
D523,752 S *	6/2006	Bried et al.	D9/504
D531,036 S *	10/2006	Bried et al.	D9/504
D592,956 S *	5/2009	Thiellier	D9/504

D621,603 S * 8/2010 Traylor D3/203.2

* cited by examiner

Primary Examiner — Thomas Johannes

(74) *Attorney, Agent, or Firm* — Schiff Hardin LLP

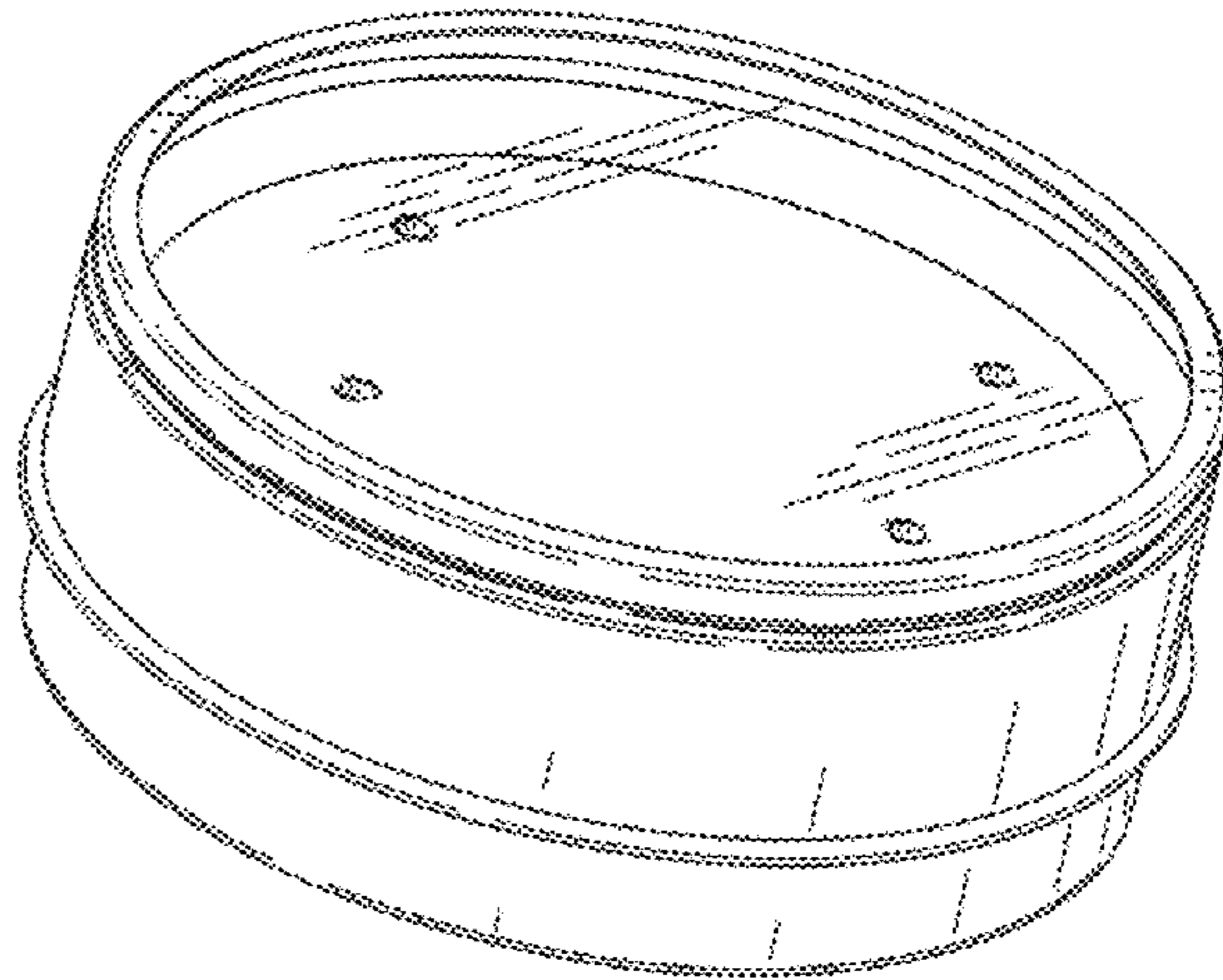
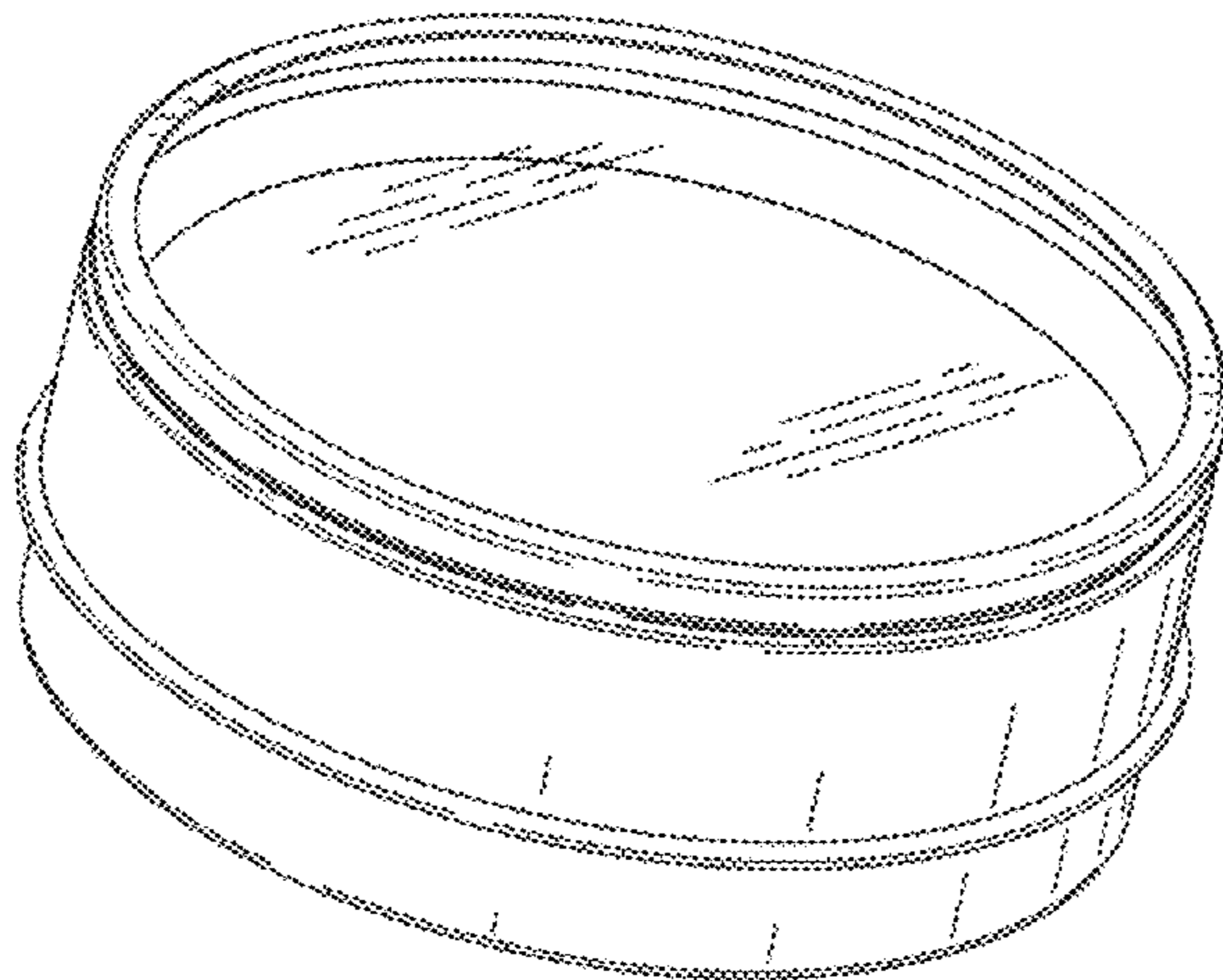
(57) **CLAIM**

The ornamental design for a confection container, as shown and described.

DESCRIPTION

FIG. 1 is a top perspective view of a first embodiment of a confection container showing my new design;
FIG. 2 is a top plan view thereof;
FIG. 3 is a bottom plan view thereof;
FIG. 4 is a side elevation view thereof;
FIG. 5 is a top perspective view of the lid portion thereof, shown in isolation for clarity of detail;
FIG. 6 is a bottom perspective view thereof;
FIG. 7 is a top perspective view of a second embodiment of a confection container showing my new design;
FIG. 8 is a top plan view thereof;
FIG. 9 is a bottom plan view thereof;
FIG. 10 is a side elevation view thereof;
FIG. 11 is a top perspective view of the lid portion thereof, shown in isolation for clarity of detail; and,
FIG. 12 is a bottom perspective view thereof.
The broken line portion of FIG. 8 showing three small gameballs is included to show unclaimed subject matter only and forms no part of the claimed design.

1 Claim, 8 Drawing Sheets



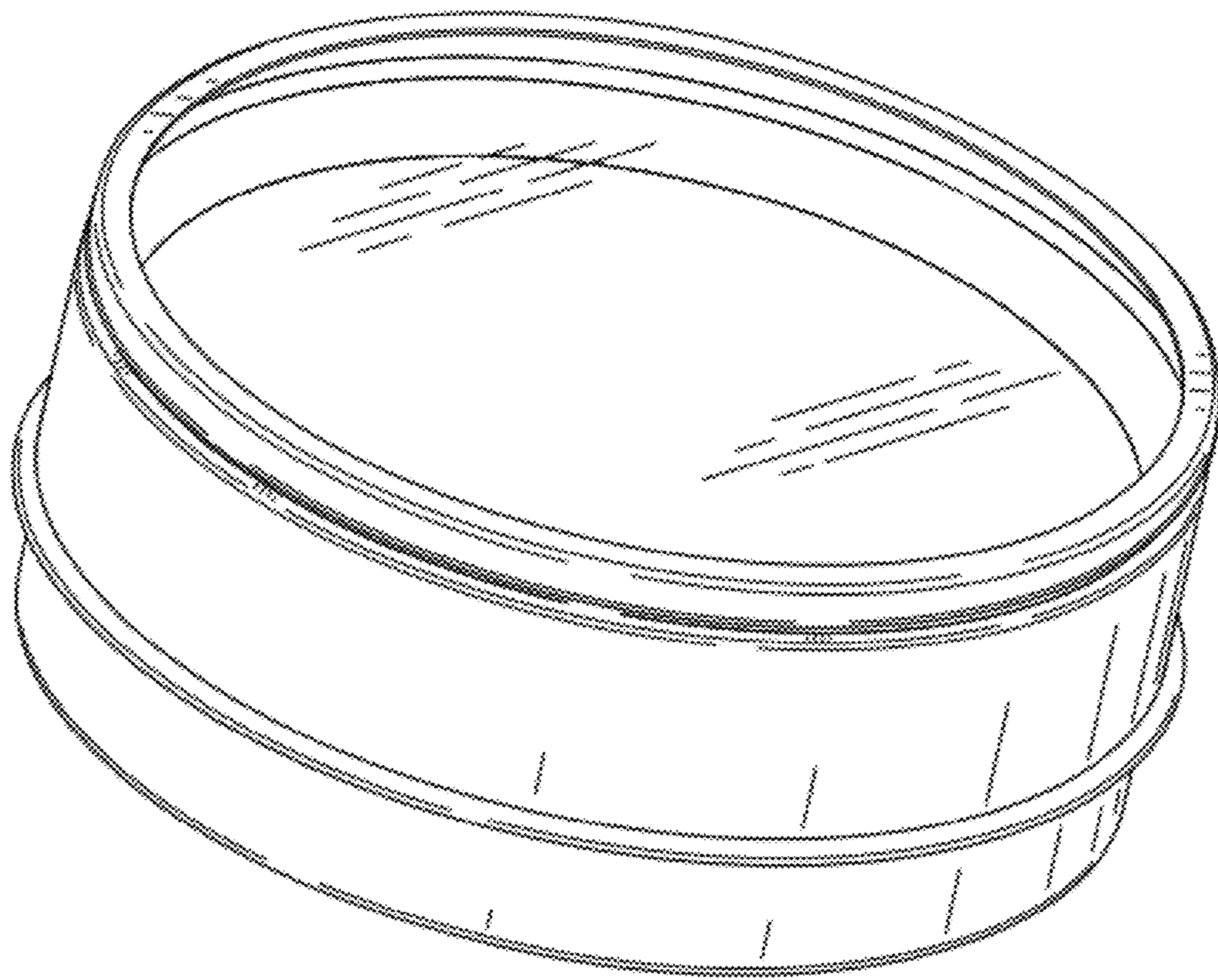


FIG. 1

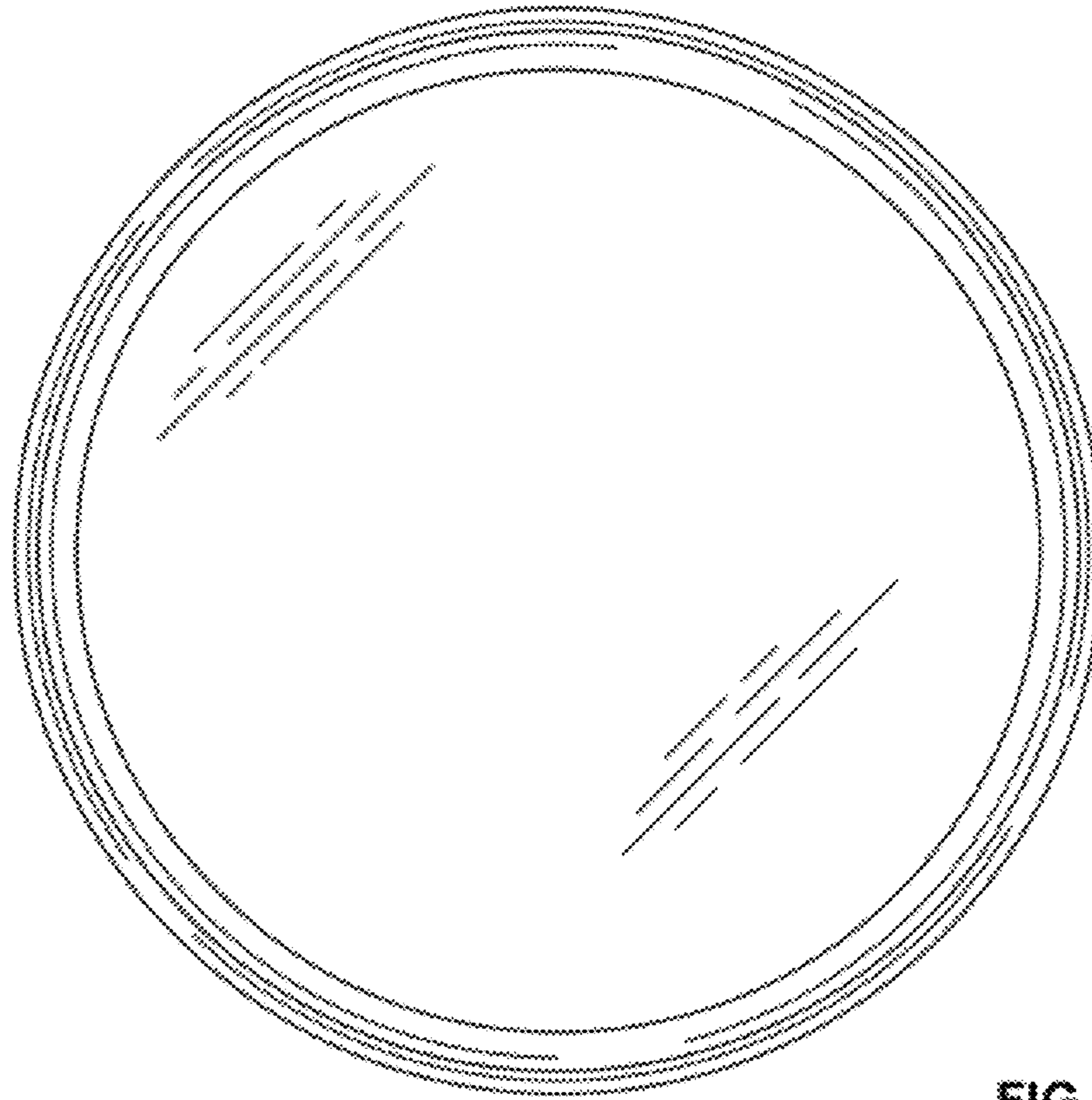


FIG. 2

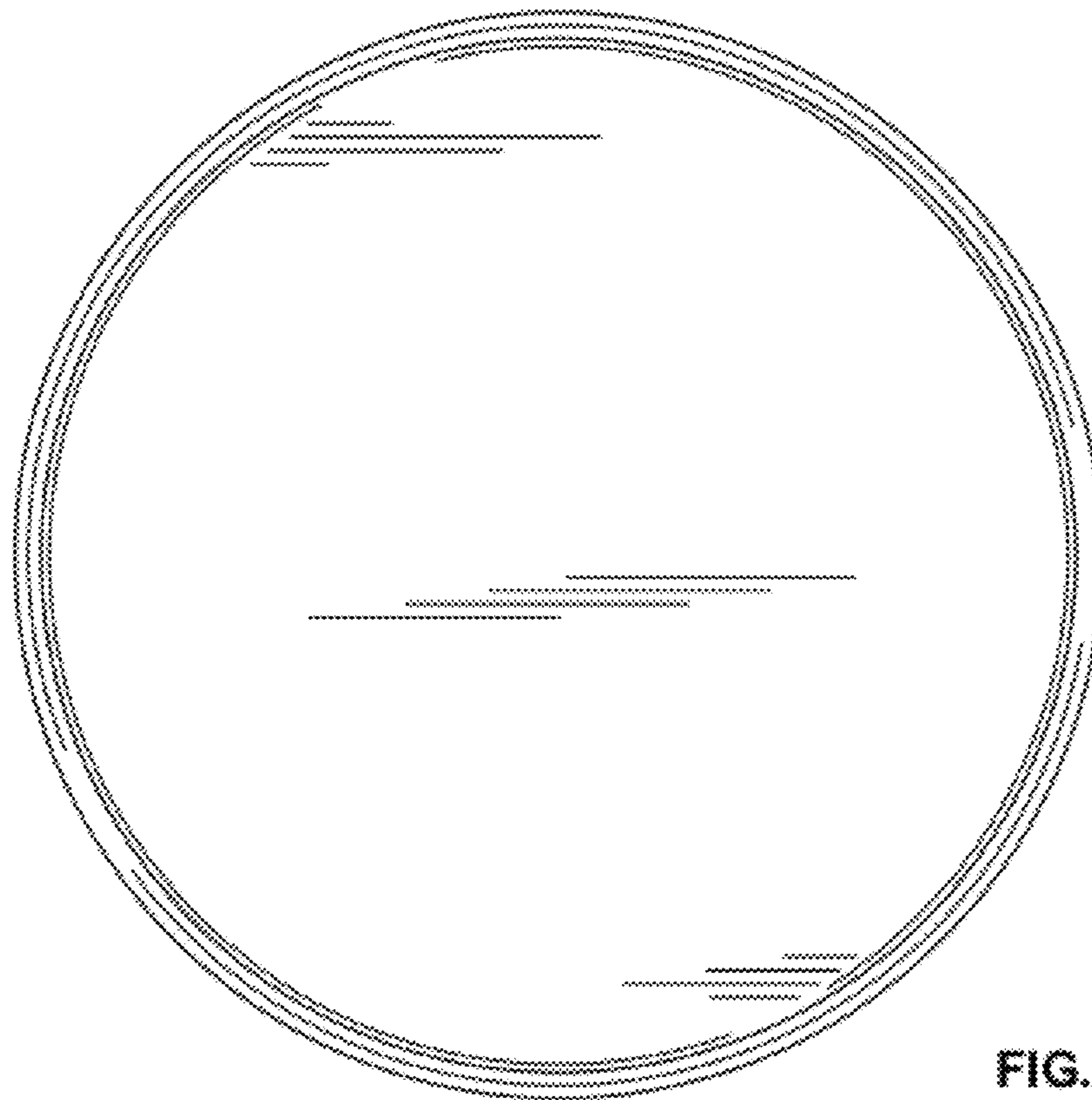


FIG. 3

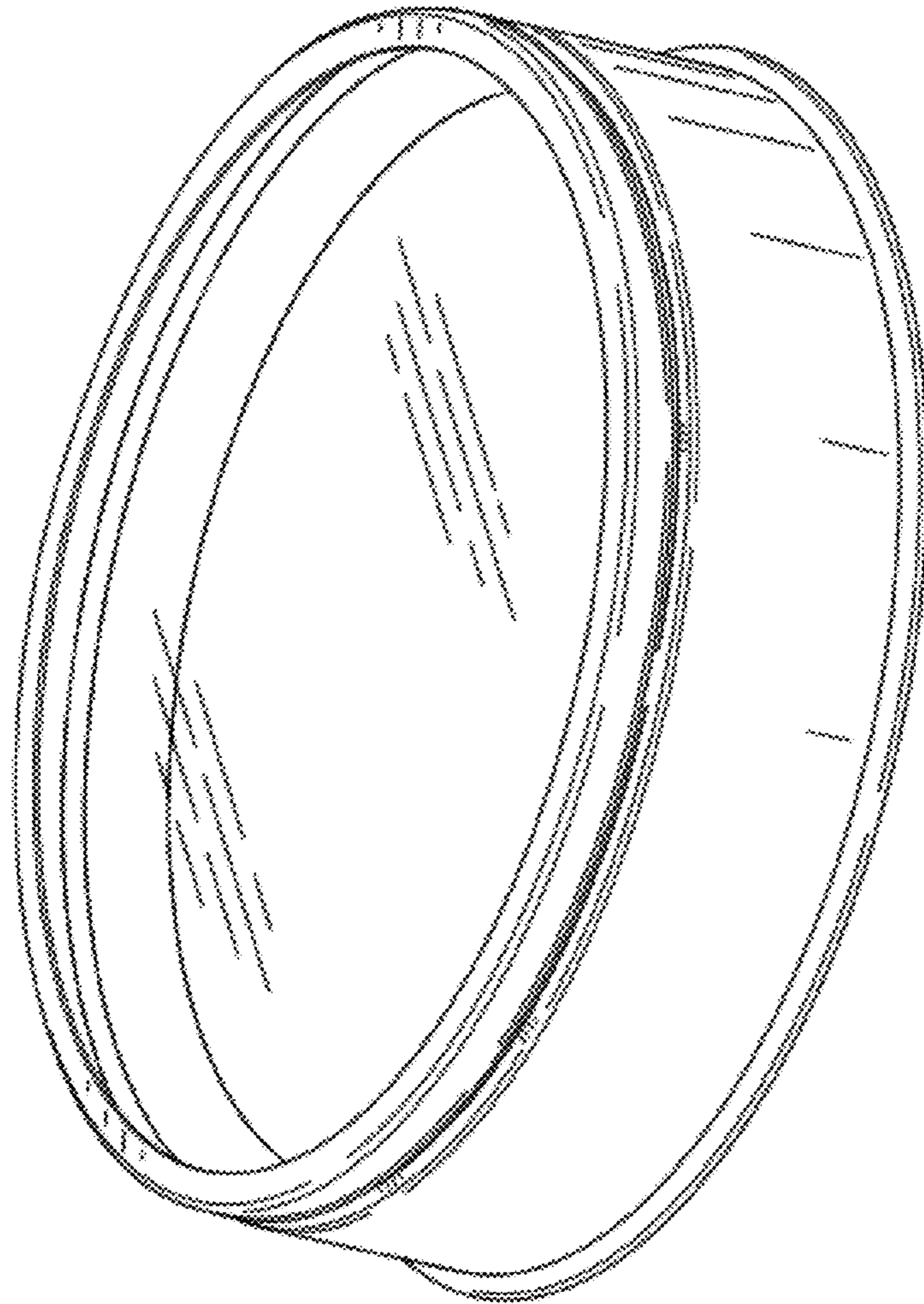


FIG. 5

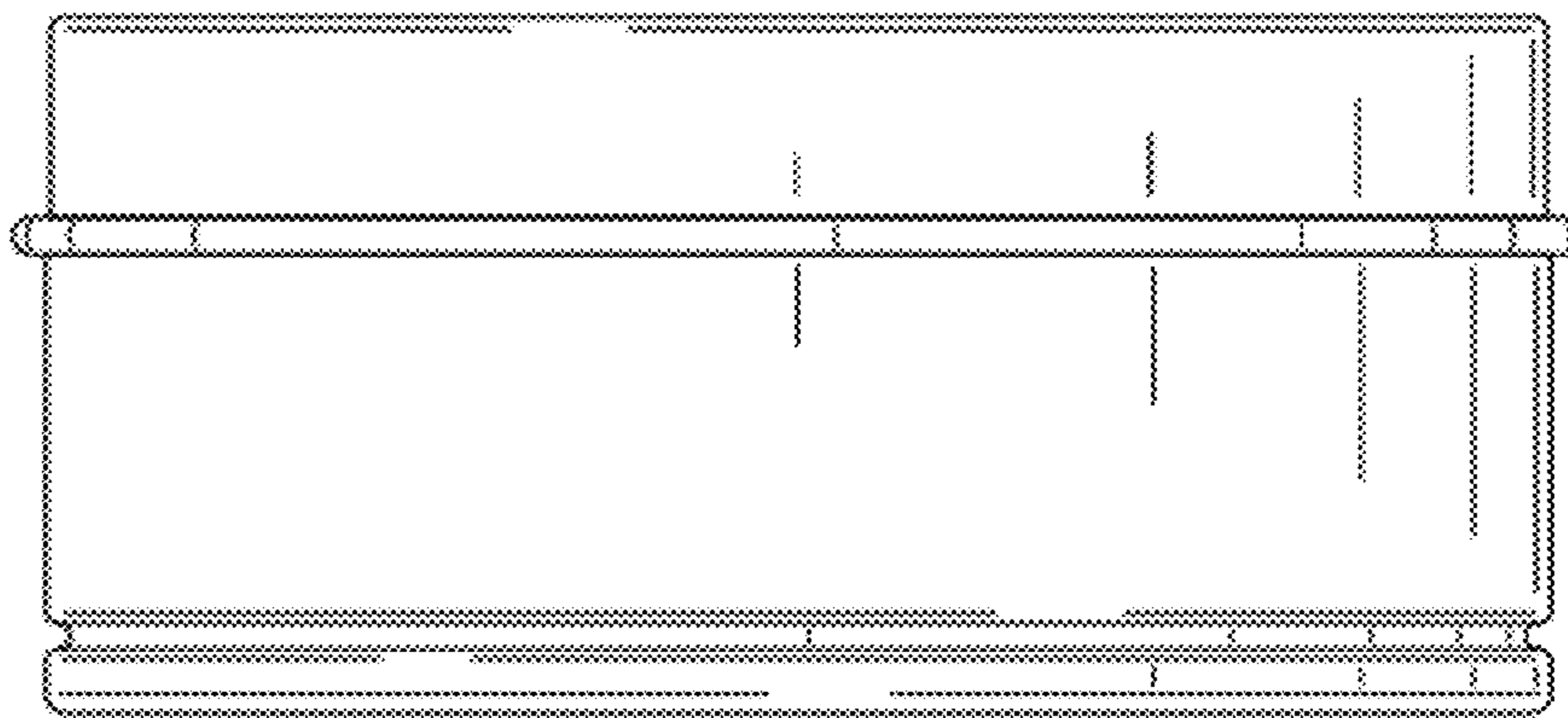


FIG. 4

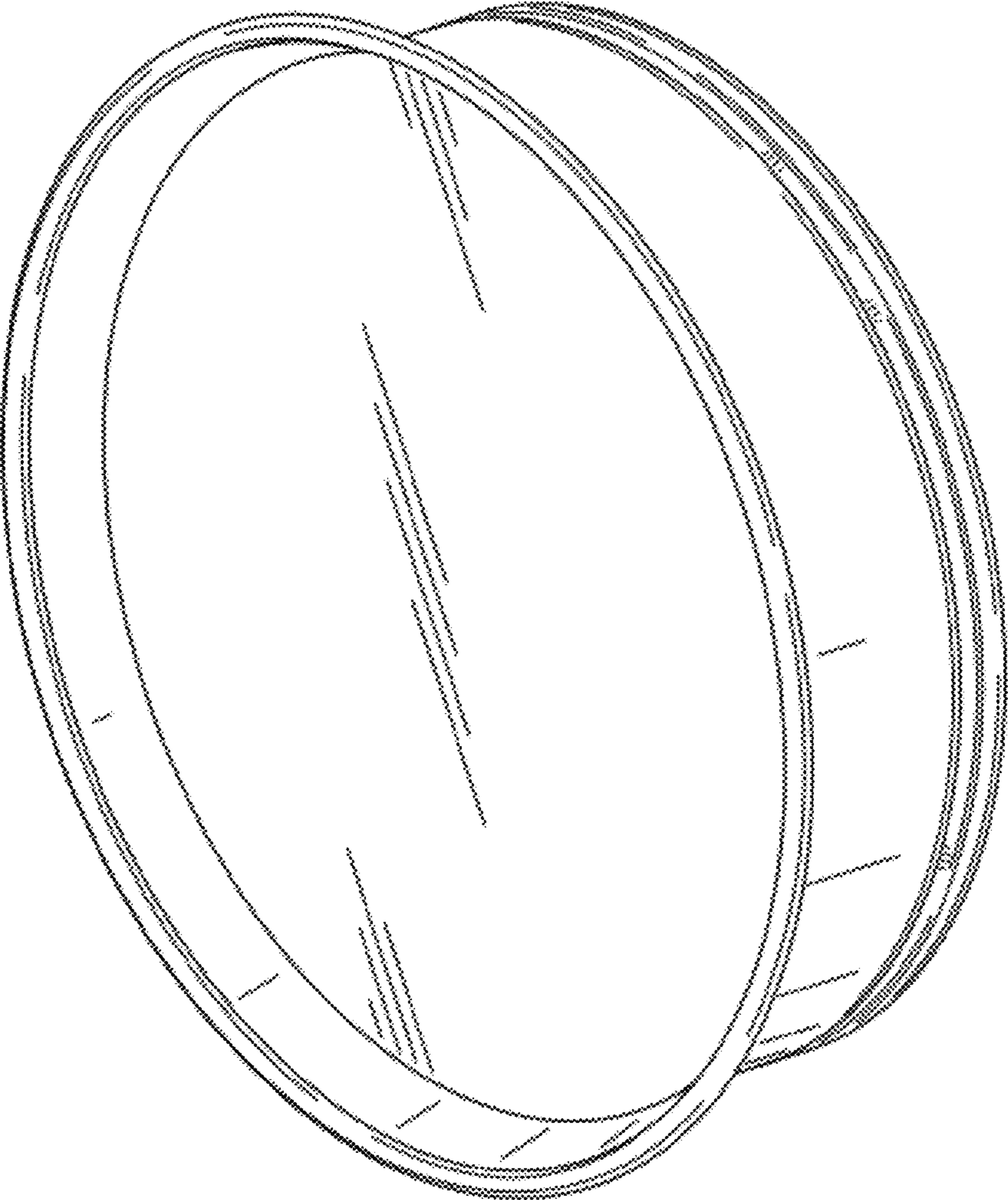


FIG. 6

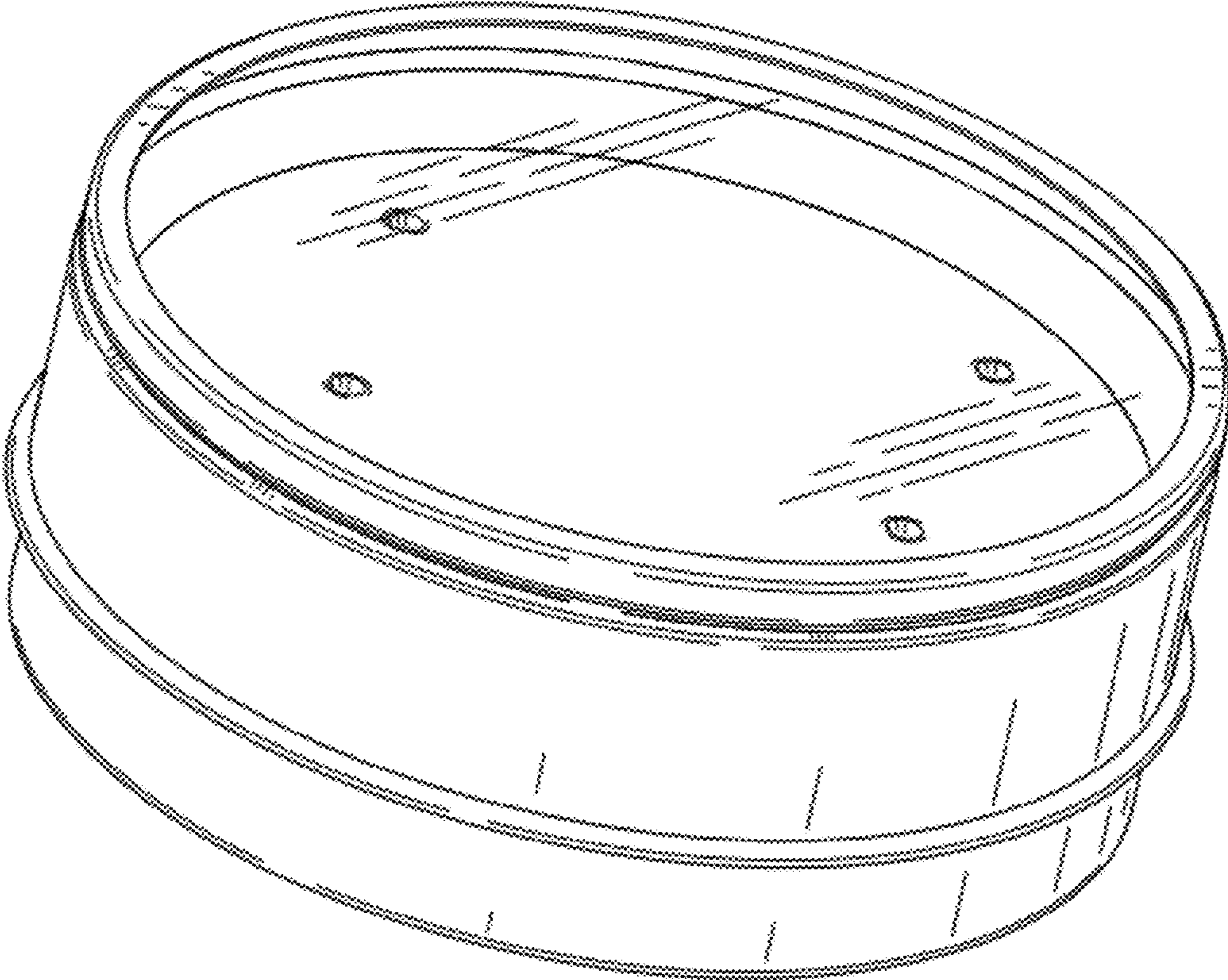


FIG. 7

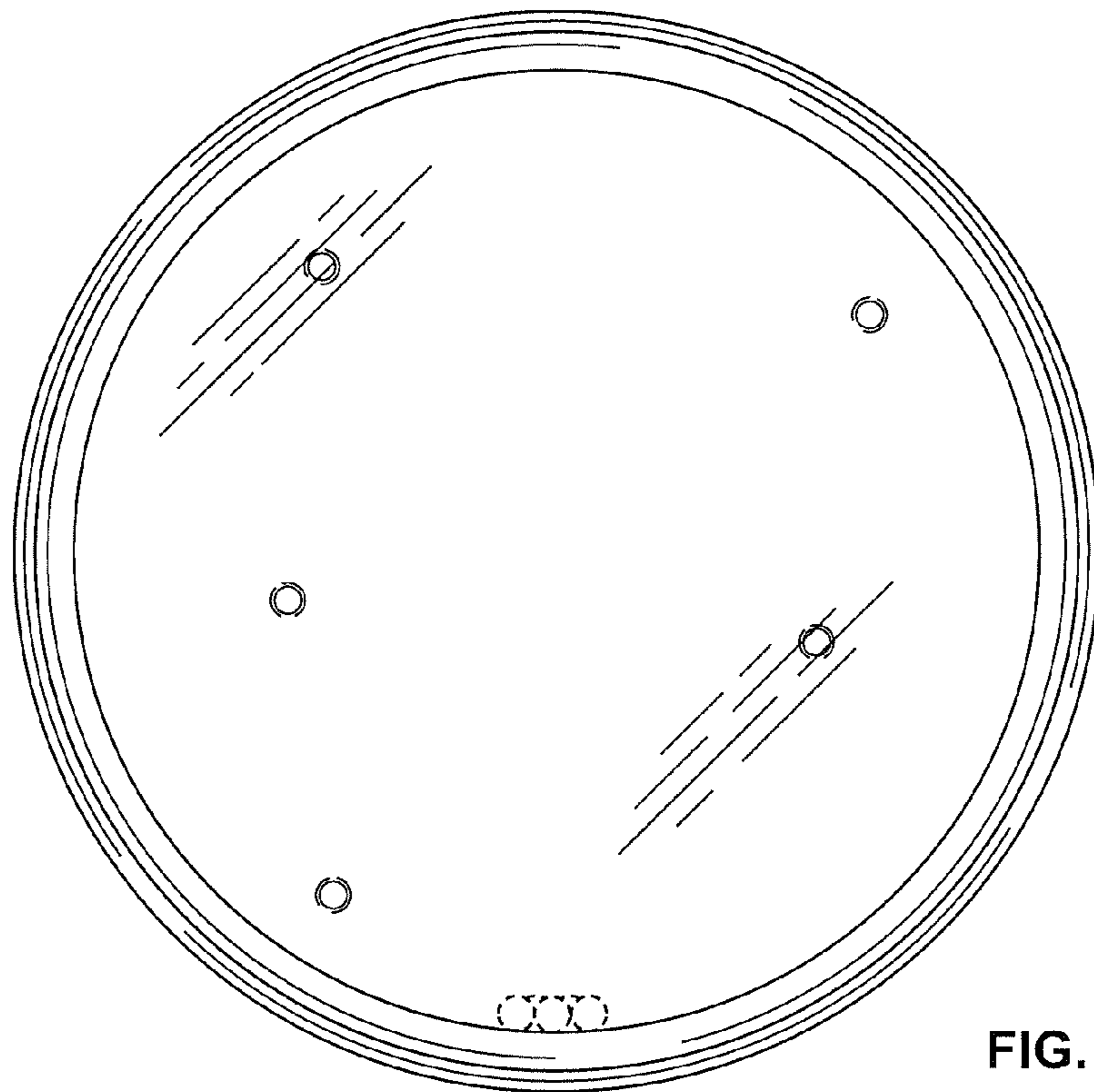


FIG. 8

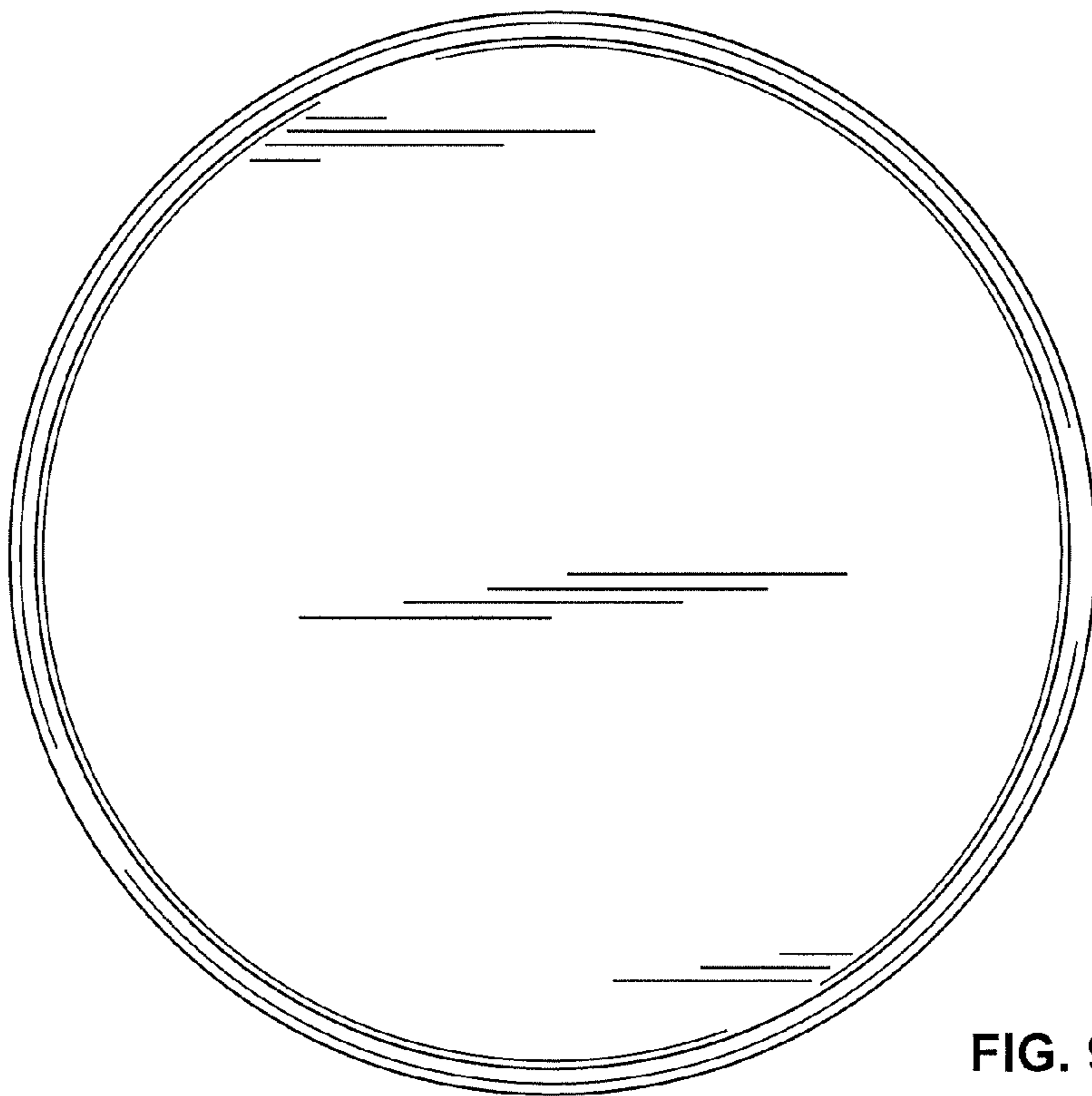


FIG. 9

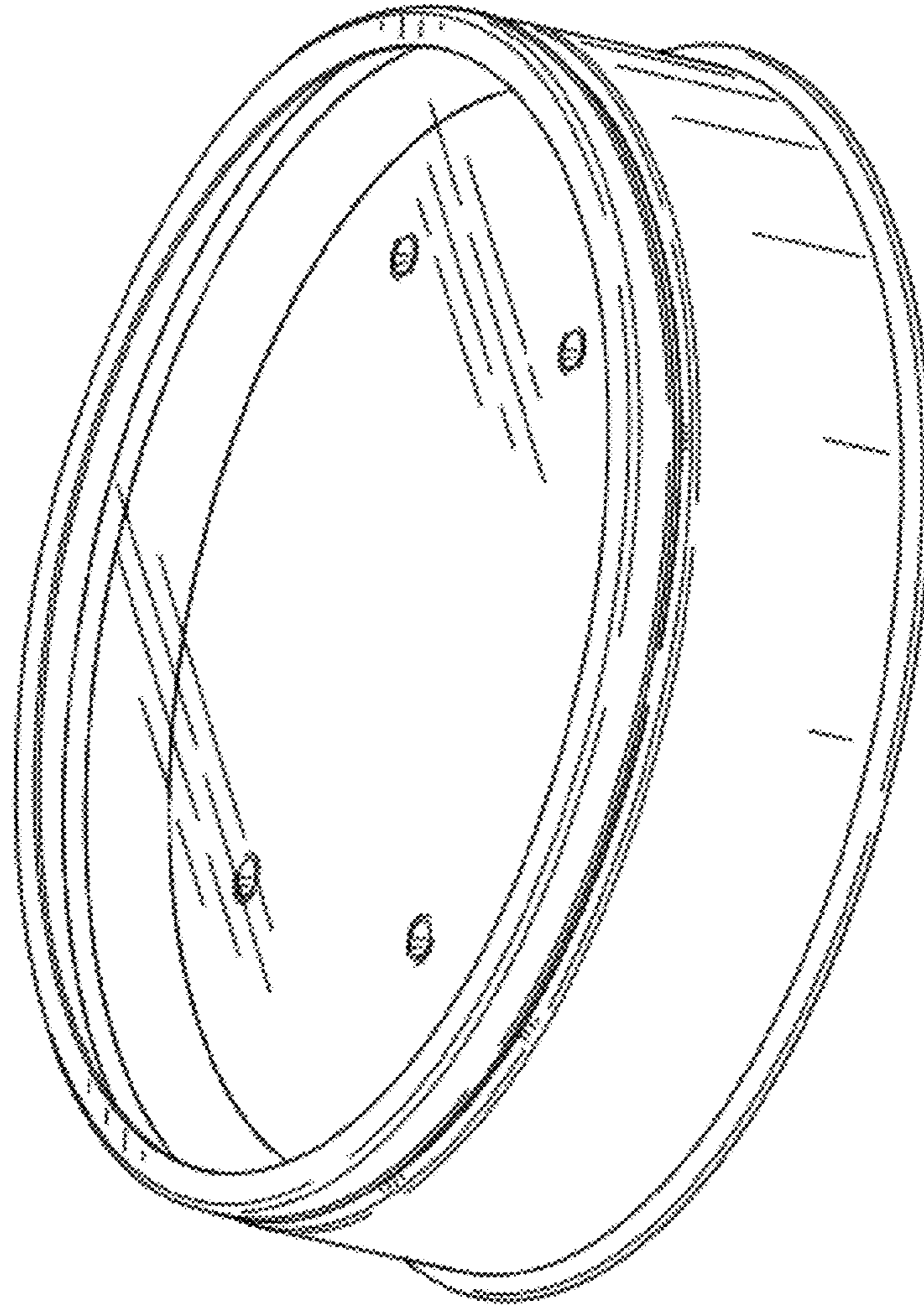


FIG. 11

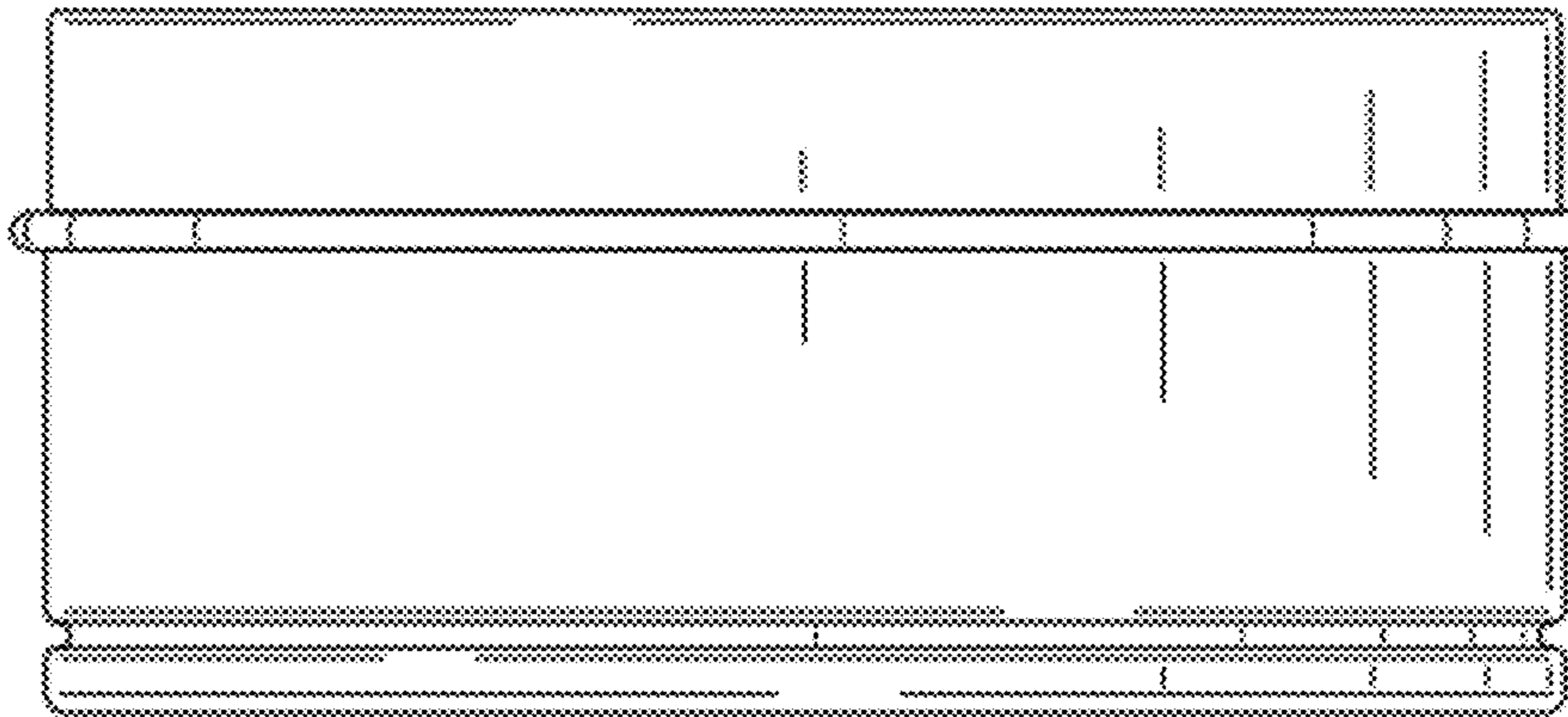


FIG. 10

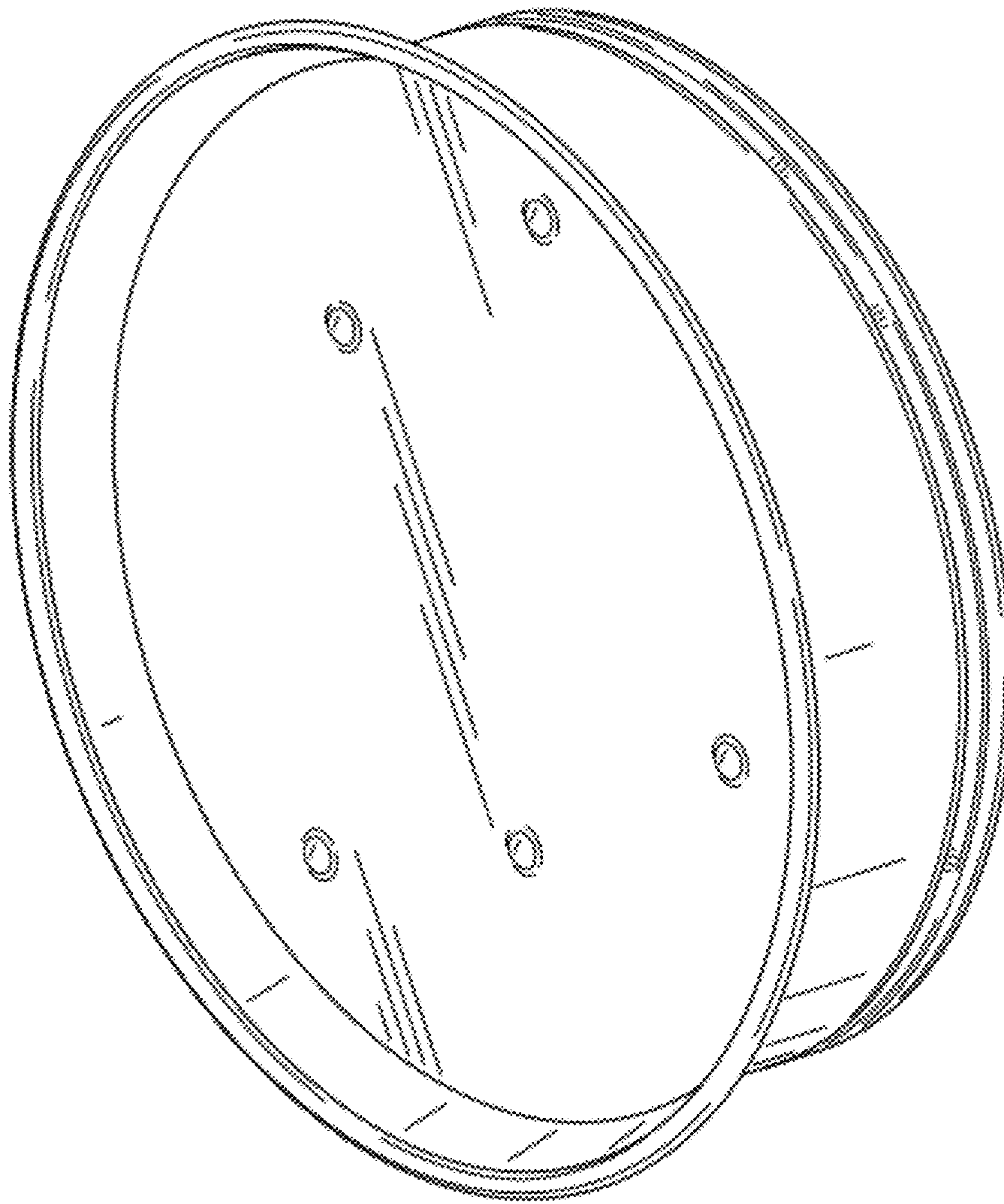


FIG. 12