



US00D665250S

(12) **United States Design Patent**
Kirk et al.

(10) **Patent No.:** **US D665,250 S**

(45) **Date of Patent:** **** Aug. 14, 2012**

(54) **PACKAGING FOR DOUGH PRODUCT**

(75) Inventors: **David A. Kirk**, Coon Rapids, MN (US);
Craig A. Dowd, Eagan, MN (US);
Thomas M. Hockenberry, Minneapolis,
MN (US)

(73) Assignee: **General Mills, Inc.**, Minneapolis, MN
(US)

(**) Term: **14 Years**

(21) Appl. No.: **29/332,935**

(22) Filed: **Feb. 27, 2009**

D211,448 S	6/1968	Seiferth et al.
D211,449 S	6/1968	Seiferth et al.
3,476,282 A	11/1969	Foster et al.
T869023 I4	12/1969	Henry
3,530,917 A	9/1970	Donovan
3,545,934 A	12/1970	Johnston et al.
3,577,671 A	5/1971	Woollett
3,586,162 A	6/1971	Townsend
3,605,374 A	9/1971	Mueller et al.
D223,189 S	3/1972	Dittman
3,765,595 A	10/1973	Bernhardt
3,809,221 A	5/1974	Compere
D235,246 S	6/1975	Evans et al.
3,942,640 A	3/1976	Hellstrom
3,983,999 A	10/1976	Morton
4,096,945 A	6/1978	Melton et al.
4,197,947 A	4/1980	Zaidi
4,206,844 A	6/1980	Thukamoto et al.

(Continued)

Related U.S. Application Data

(63) Continuation of application No. 29/297,836, filed on
Nov. 20, 2007, now Pat. No. Des. 590,246, which is a
continuation of application No. 29/204,662, filed on
Apr. 30, 2004, now Pat. No. Des. 560,490.

(51) **LOC (9) Cl.** **09-03**

(52) **U.S. Cl.** **D9/416; D9/418; D9/425; D9/737**

(58) **Field of Classification Search** D9/416,
D9/418, 737, 730, 732, 733, 734, 756, 757,
D9/759, 761, 424, 425, 430, 432, 414; 206/223,
206/438, 484, 499, 525, 526, 528, 532, 820,
206/830; 220/507, 62.13, 657, 659, DIG. 12;
426/128; 229/406, 905, 906, 245, 927, 125.015,
229/123.1, 123.2; 428/515; 383/109

See application file for complete search history.

(56) **References Cited**

U.S. PATENT DOCUMENTS

1,816,542 A	7/1931	Mellin
2,951,765 A	9/1960	Robson
3,144,343 A	8/1964	Fritsche
D199,200 S	9/1964	Fritsche et al.
3,202,272 A	8/1965	Hertzog
3,278,109 A	10/1966	Salway

OTHER PUBLICATIONS

General Mills, Package—Ready to Bake!® Sugar Cookies, 1 page.

(Continued)

Primary Examiner — Mark Goodwin

(74) *Attorney, Agent, or Firm* — John L. Crimmins; Audrey
Babcock; Aleya Champlin

(57) **CLAIM**

We claim the ornamental design for packaging for dough
product, as shown and described.

DESCRIPTION

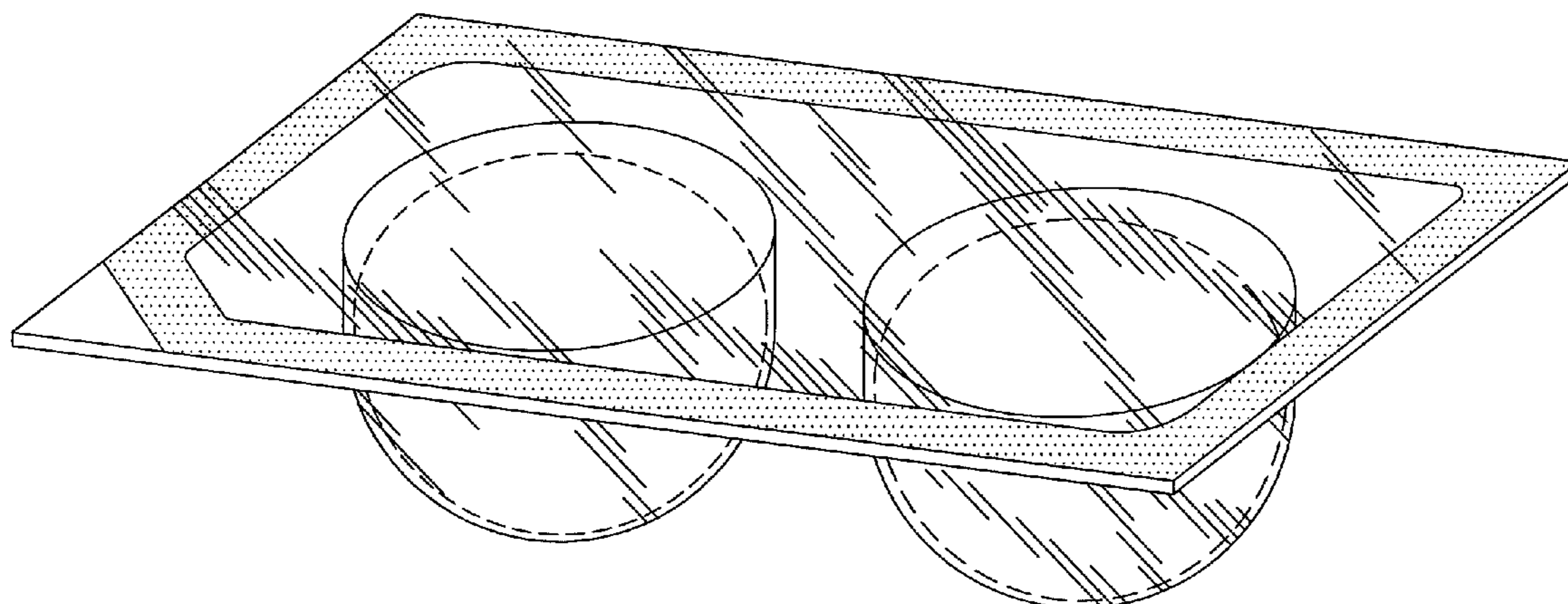
FIG. 1 is a top perspective view of a packaging for dough
product showing our new design;

FIG. 2 is an end view thereof; and,

FIG. 3 is a side view thereof.

The broken line showing of a representative dough product is
included for the purpose of illustrating environmental struc-
ture only and forms no part of the claimed design.

1 Claim, 2 Drawing Sheets



US D665,250 S

Page 2

U.S. PATENT DOCUMENTS

D262,095 S 12/1981 Takahashi
4,342,395 A 8/1982 Brown
4,355,755 A 10/1982 Faller
4,382,513 A 5/1983 Schirmer et al.
D273,765 S 5/1984 Cillario
4,577,757 A 3/1986 Hustad et al.
4,656,068 A 4/1987 Raines
4,673,085 A 6/1987 Badouard et al.
4,834,247 A 5/1989 Oshima et al.
4,836,380 A 6/1989 Walter et al.
D339,522 S 9/1993 Zoss
D349,456 S 8/1994 Wilson
5,366,744 A 11/1994 Drummond et al.
5,388,757 A 2/1995 Lorenzen
D368,028 S 3/1996 Baker
5,503,858 A 4/1996 Reskow
5,540,334 A 7/1996 Haas et al.
D375,680 S 11/1996 Liebermann
D375,681 S 11/1996 Liebermann
D395,232 S 6/1998 Bryan, III et al.
D395,233 S 6/1998 Bryan, III et al.
5,783,273 A 7/1998 Yamamoto et al.
D408,280 S 4/1999 Manley et al.
D416,483 S 11/1999 Manley et al.

D417,146 S 11/1999 St. Pierre et al.
D421,900 S 3/2000 Eneroth et al.
6,059,112 A 5/2000 Dykstra et al.
D455,071 S 4/2002 Ruben
D459,222 S 6/2002 Mello et al.
D479,128 S 9/2003 Jowett
D485,942 S 1/2004 McLeish
D499,642 S 12/2004 Karim
D510,263 S 10/2005 Isono et al.
D543,866 S 6/2007 Mikkelsen
D544,370 S 6/2007 Tuccillo
7,247,329 B2 7/2007 Mattisson
D560,490 S 1/2008 Kirk et al.
7,322,473 B2 * 1/2008 Fux 206/459.1
D579,768 S 11/2008 Kirk et al.
D584,944 S 1/2009 Kirk et al.
D590,246 S 4/2009 Kirk et al.
2002/0172834 A1 11/2002 Rivett et al.
2003/0141218 A1 7/2003 Stephens et al.
2006/0263494 A1 11/2006 Geng et al.

OTHER PUBLICATIONS

Buitoni, Package Example—Buitoni Three Cheese Tortellini, 1 page.

* cited by examiner

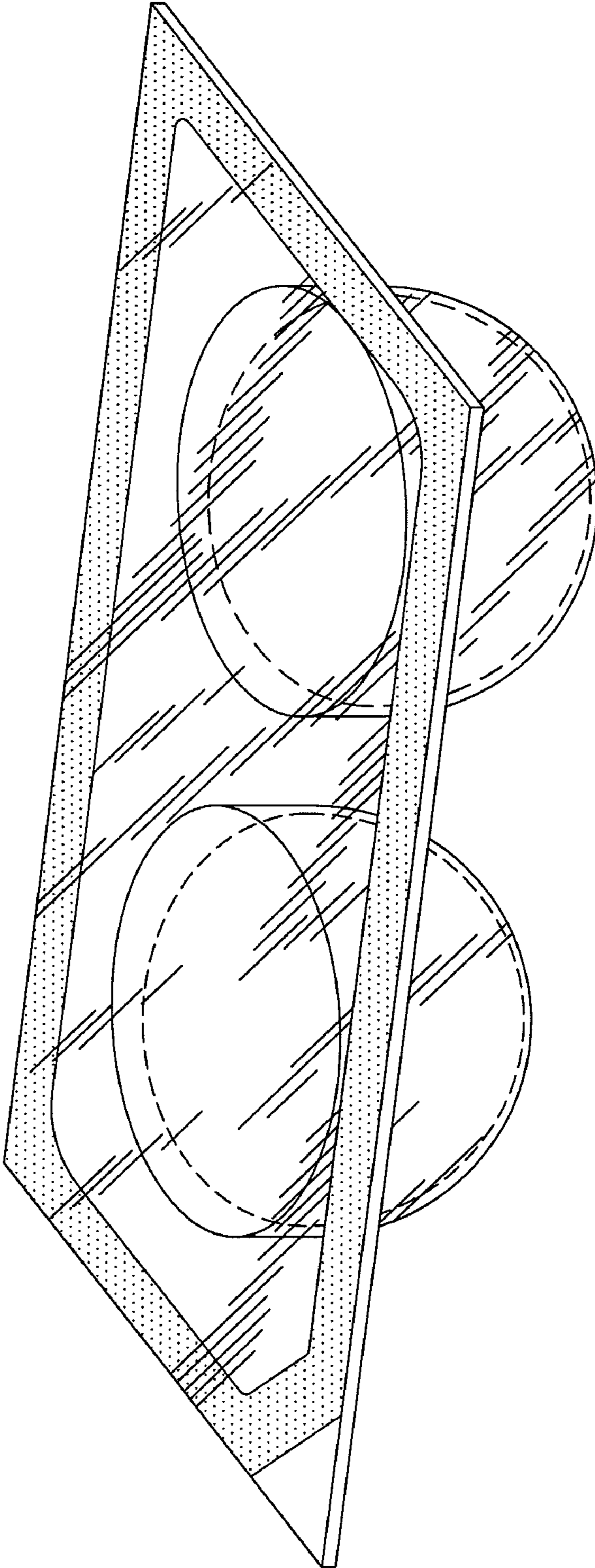


FIG. 1

FIG. 2

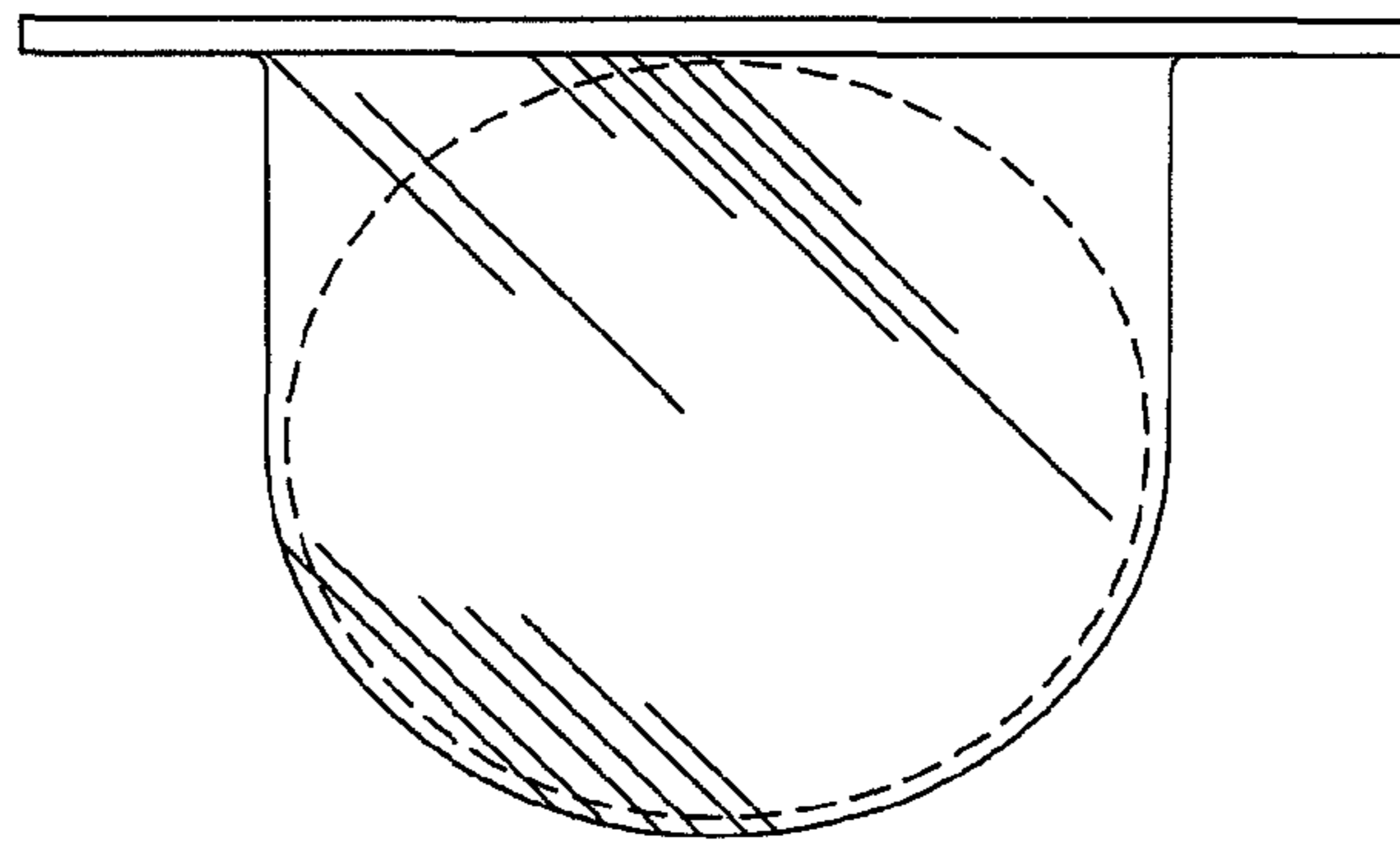


FIG. 3

