



US00D665249S

(12) **United States Design Patent**
Hernandez

(10) **Patent No.:** **US D665,249 S**
(45) **Date of Patent:** **** Aug. 14, 2012**

(54) **ROLLER CHAIN CLEAT**

(75) Inventor: **Ernest R. Hernandez**, Lubbock, TX
(US)

(73) Assignee: **Module Truck Systems**, Lubbock, TX
(US)

(**) Term: **14 Years**

(21) Appl. No.: **29/381,939**

(22) Filed: **Dec. 27, 2010**

(51) **LOC (9) Cl.** **08-09**

(52) **U.S. Cl.** **D8/499**

(58) **Field of Classification Search** D8/14,
D8/394, 395, 499; D12/114, 123, 124; 59/78,
59/4-8, 84-85; 74/457, 462, 665 GE; 198/371.2,
198/371.3, 804, 850-853; 474/212-216,
474/82-85, 153-157, 206, 209, 218-220,
474/226, 228, 230-236; 414/491

See application file for complete search history.

(56) **References Cited**

U.S. PATENT DOCUMENTS

321,361 A * 6/1885 Huber 474/233
D24,663 S * 9/1895 Devlin D8/394
593,872 A * 11/1897 Barnhart 474/218

1,886,926 A * 11/1932 Walter 198/851
2,835,002 A * 5/1958 Majewski 403/398
3,056,309 A * 10/1962 Horste 474/218
3,202,266 A * 8/1965 Schmermund 198/850
D248,924 S * 8/1978 Curtis D8/394
2009/0297309 A1 12/2009 Stover

* cited by examiner

Primary Examiner — Barbara Fox

(74) *Attorney, Agent, or Firm* — Law Firm of Susanne M
Moore, PLLC; Susanne M. Moore

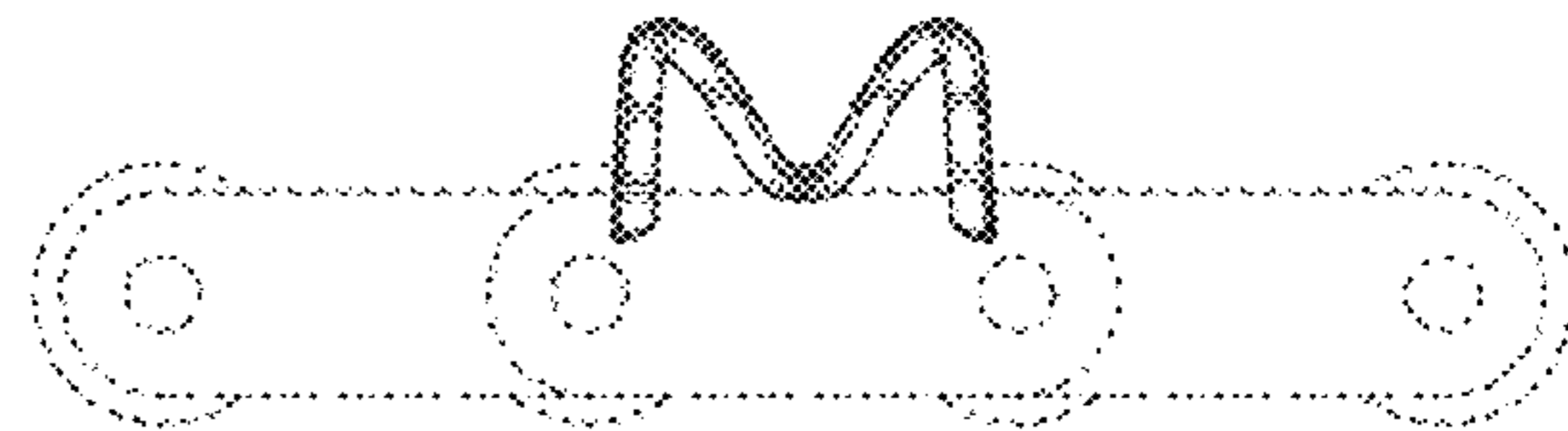
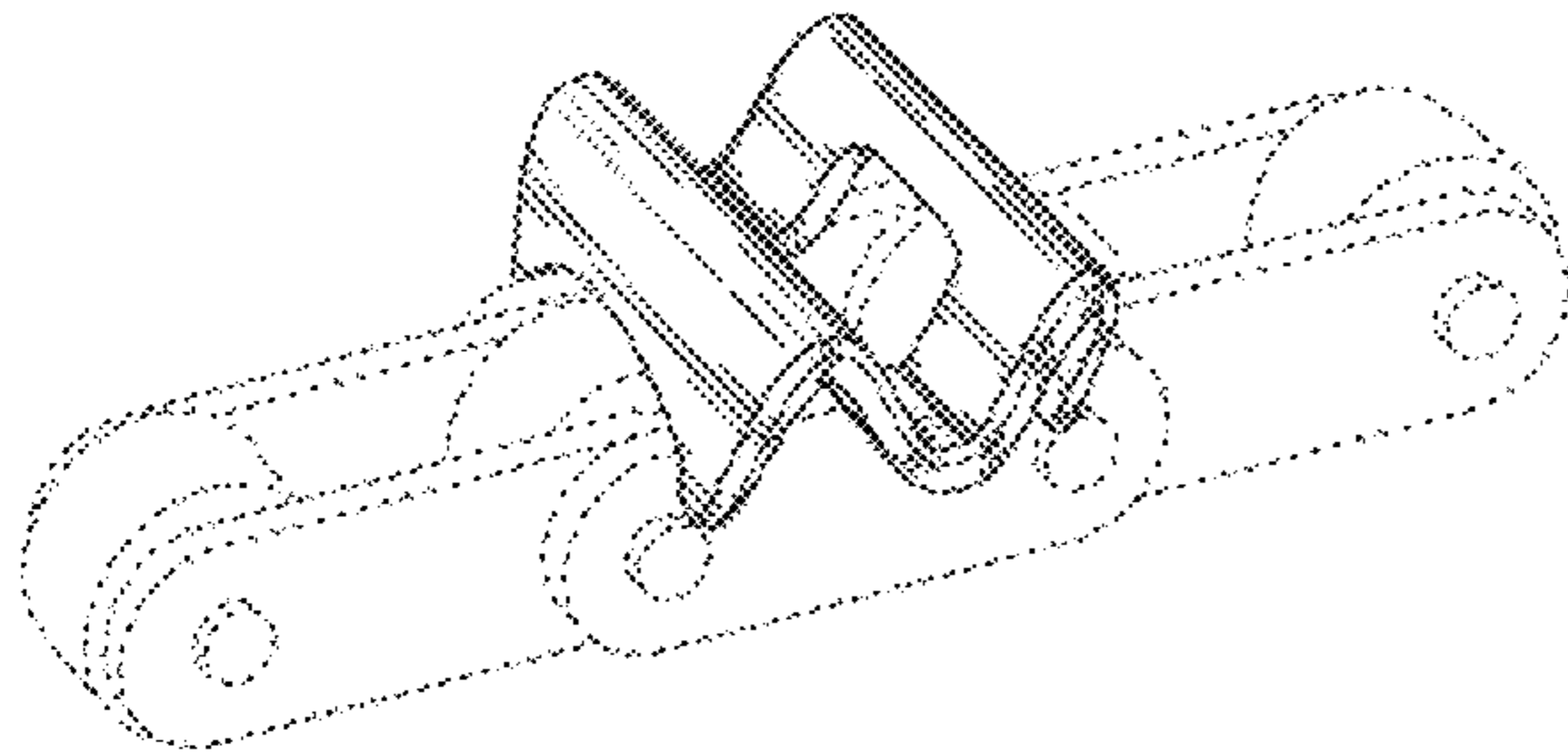
(57) **CLAIM**

The ornamental design for a roller chain cleat, as shown and
described.

DESCRIPTION

FIG. 1 is a top perspective view of a roller chain cleat showing
the new design;
FIG. 2 is a right elevational view thereof with the left side
being a mirror image;
FIG. 3 is an end elevational view thereof with the opposite end
being a mirror image;
FIG. 4 is a top plan view thereof; and,
FIG. 5 is a bottom plan view thereof.
The broken lines shown in the drawings represent environ-
mental structure which form no part of the claimed design.

1 Claim, 3 Drawing Sheets



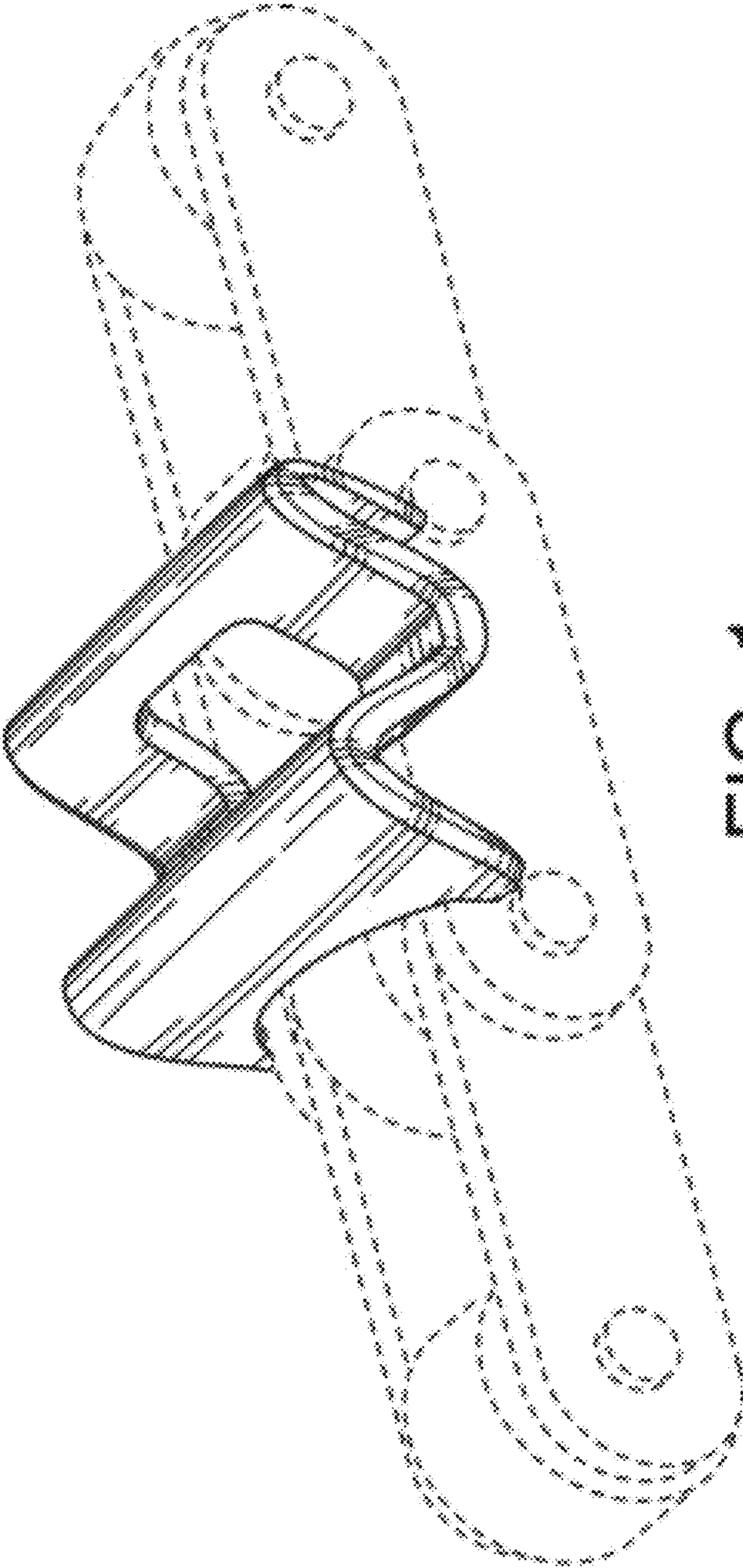


FIG. 1

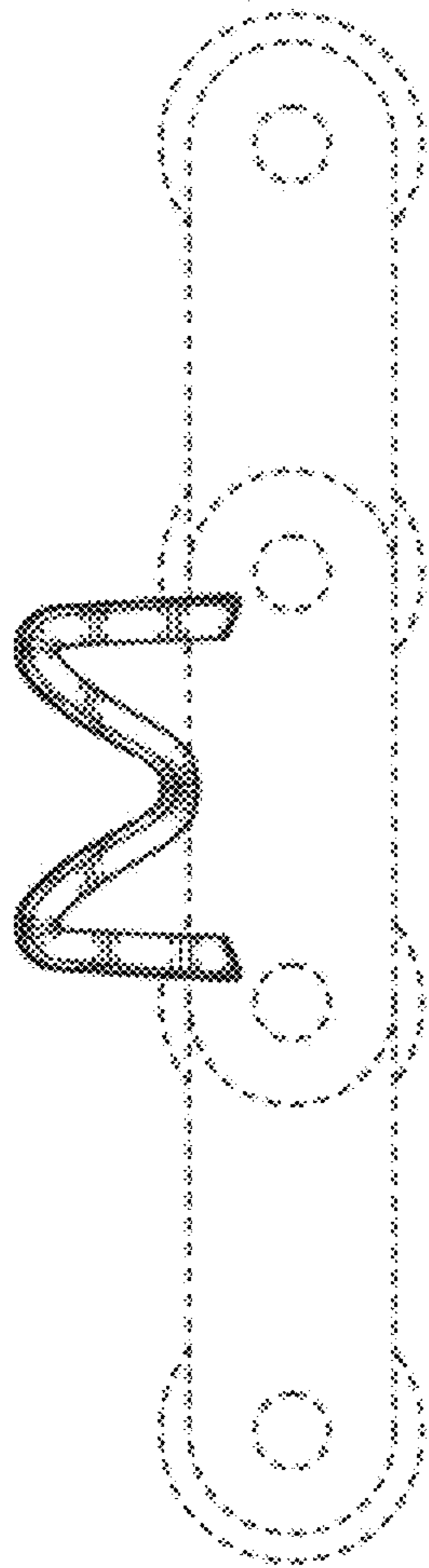


FIG. 2

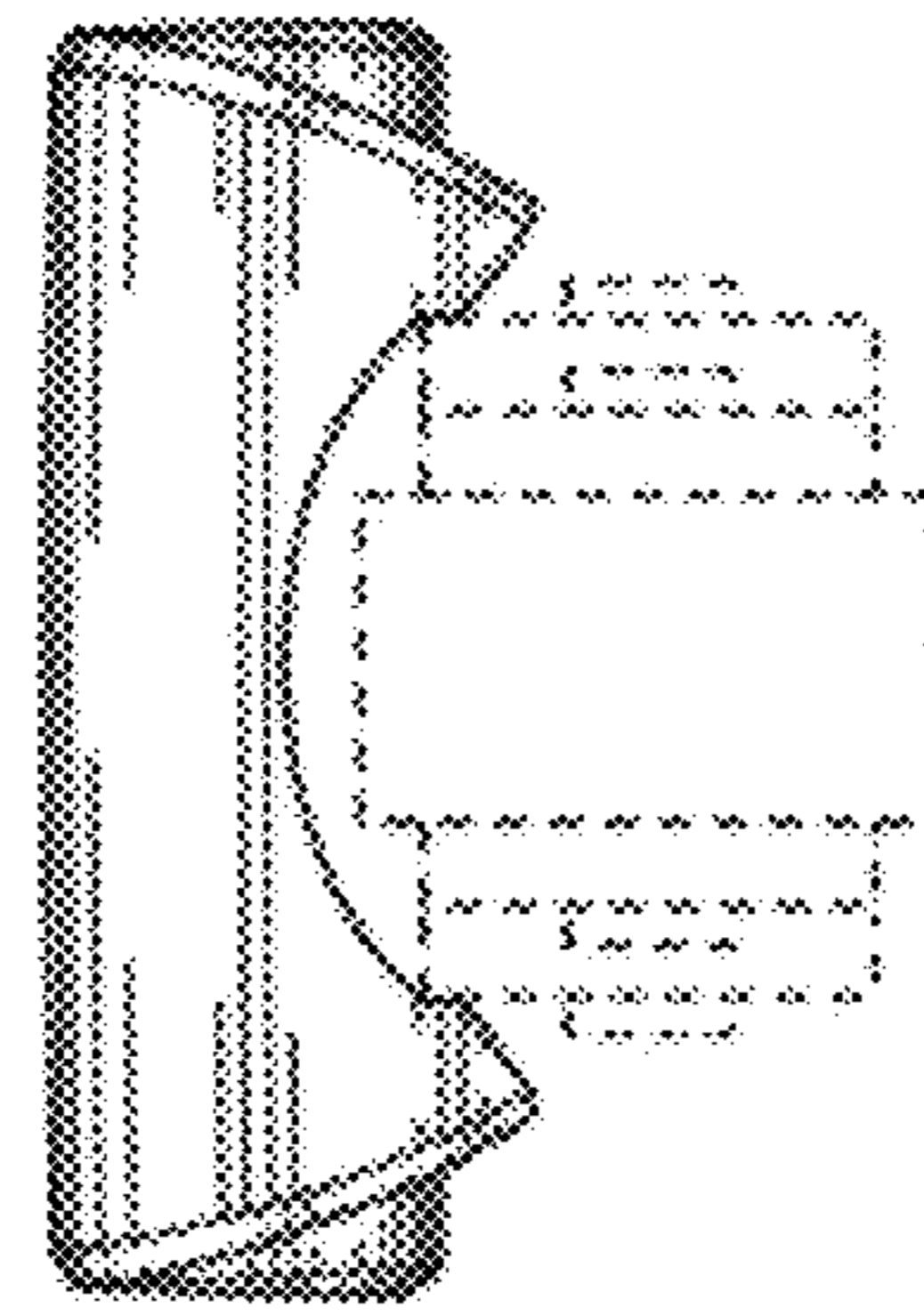


FIG. 3

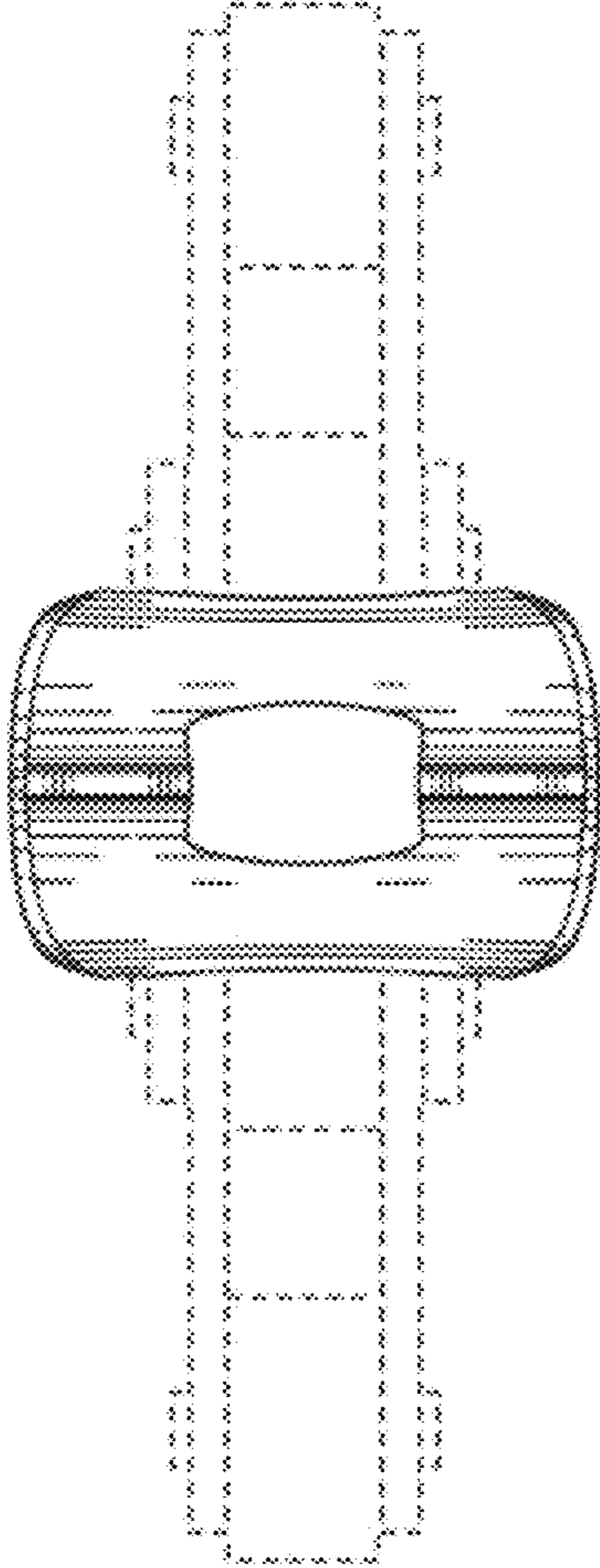


FIG. 4

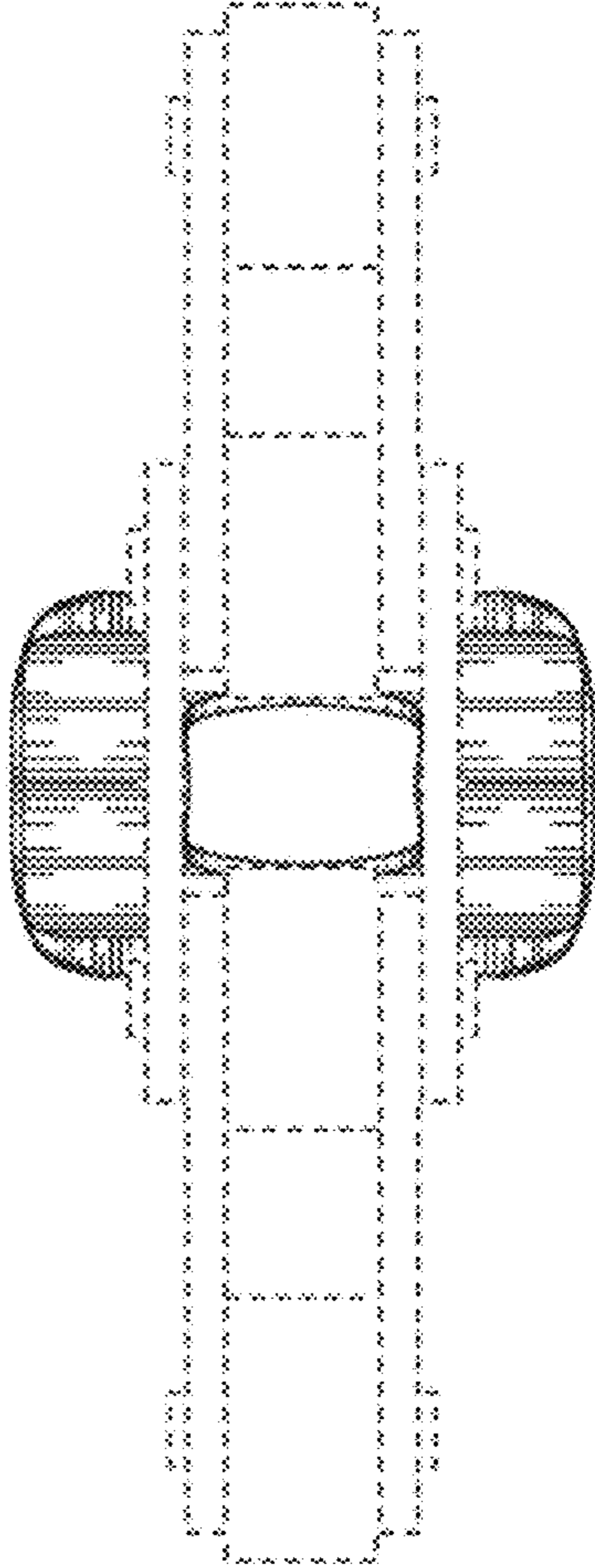


FIG. 5