



US00D665247S

(12) **United States Design Patent**
Hammond et al.

(10) **Patent No.:** **US D665,247 S**

(45) **Date of Patent:** **** Aug. 14, 2012**

(54) **PIPE HANGER CLAMP**

(75) Inventors: **John Hammond**, Brisbane (AU); **Owen Bawden**, Toowong (AU); **Neil Davidson**, Toowong (AU)

(73) Assignee: **Sitka Developments Pty Ltd**, Queensland (AU)

(**) Term: **14 Years**

(21) Appl. No.: **29/406,345**

(22) Filed: **Nov. 11, 2011**

(30) **Foreign Application Priority Data**

Jun. 6, 2011 (AU) 12548/2011

(51) **LOC (9) Cl.** **08-08**

(52) **U.S. Cl.** **D8/396**

(58) **Field of Classification Search** D8/354,
D8/355, 356, 371, 373, 376, 394-396, 380,
D8/382; 24/16 R, 20 R; 248/49, 58-62,
248/74.1-74.5, 73, 70, 228.8, 230.8; 47/32.4-32.6,
47/42

See application file for complete search history.

(56) **References Cited**

U.S. PATENT DOCUMENTS

2,029,707 A * 2/1936 Dodelin 248/313
3,310,264 A * 3/1967 Appleton 248/72

4,315,348 A * 2/1982 Oetiker 24/20 CW
4,767,087 A * 8/1988 Combu 248/62
D329,014 S * 9/1992 Sachs D8/396
D331,189 S * 11/1992 Daigle et al. D8/396
6,131,245 A * 10/2000 Chi 24/20 R
6,209,827 B1 * 4/2001 Kawai 248/73
7,909,021 B2 * 3/2011 Fujii 123/470
7,987,561 B2 * 8/2011 Zhang 24/20 R
8,015,672 B2 * 9/2011 Ito et al. 24/20 TT
D653,103 S * 1/2012 Tomasi et al. D8/396
D653,530 S * 2/2012 Hammond et al. D8/396
D654,785 S * 2/2012 Clorley D8/396

* cited by examiner

Primary Examiner — John Windmuller

(74) *Attorney, Agent, or Firm* — Christie, Parker & Hale, LLP.

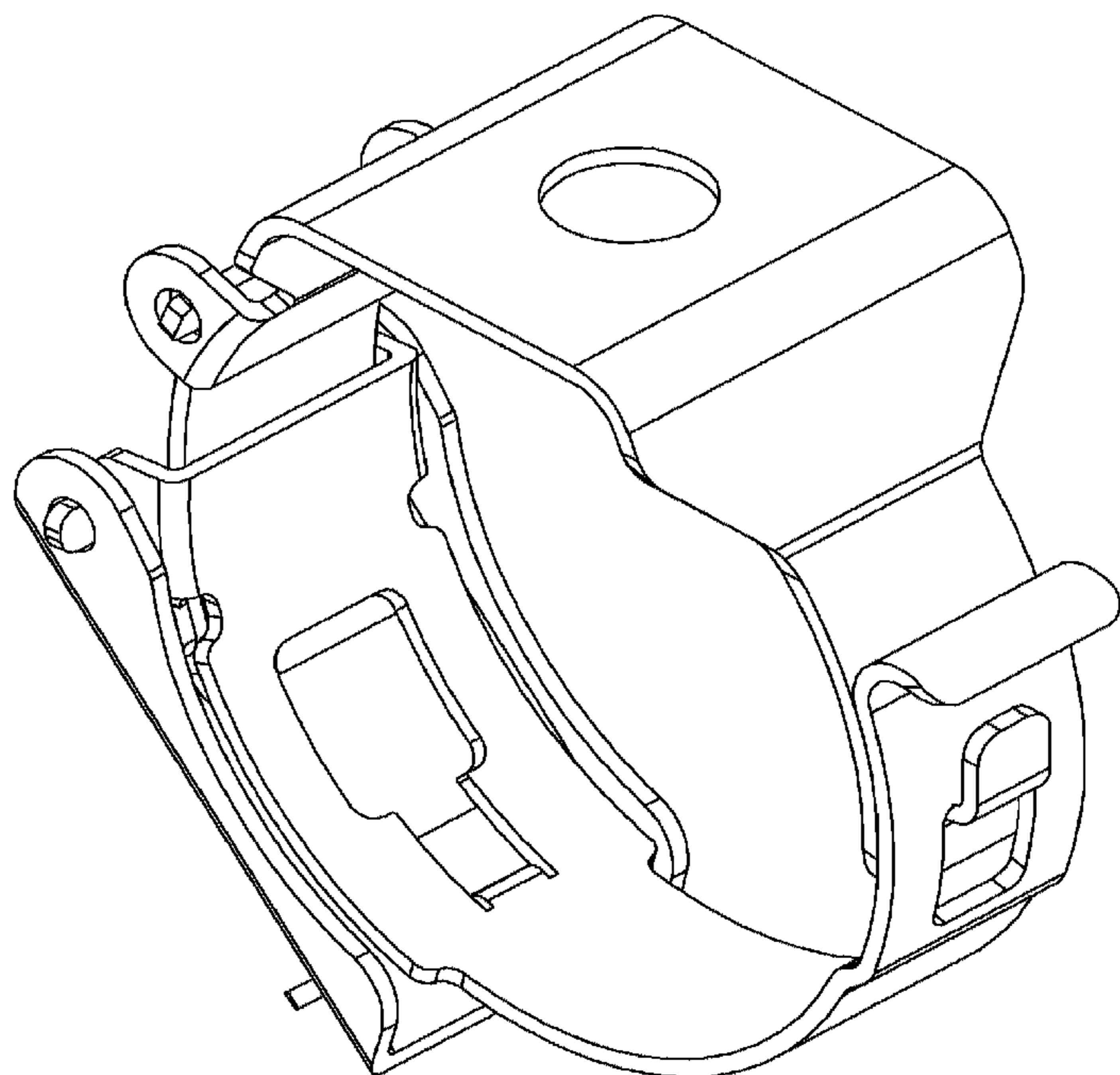
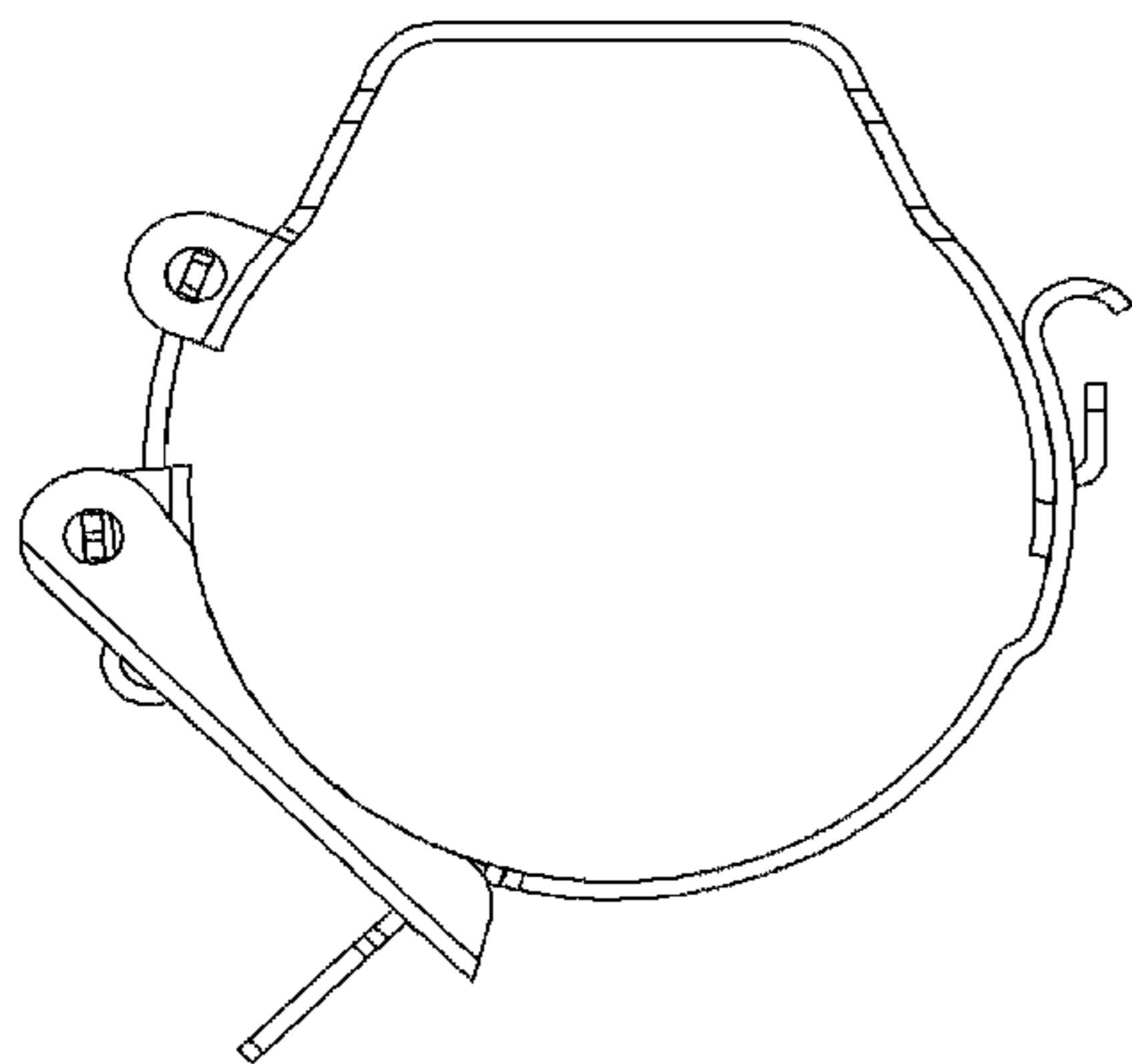
(57) **CLAIM**

The ornamental design for a pipe hanger clamp, as shown and described.

DESCRIPTION

FIG. 1 is a left side view of the pipe hanger clamp;
FIG. 2 is a front view thereof;
FIG. 3 is a rear view thereof;
FIG. 4 is a right side view thereof;
FIG. 5 is a front perspective view thereof; and,
FIG. 6 is a rear perspective view thereof.

1 Claim, 3 Drawing Sheets



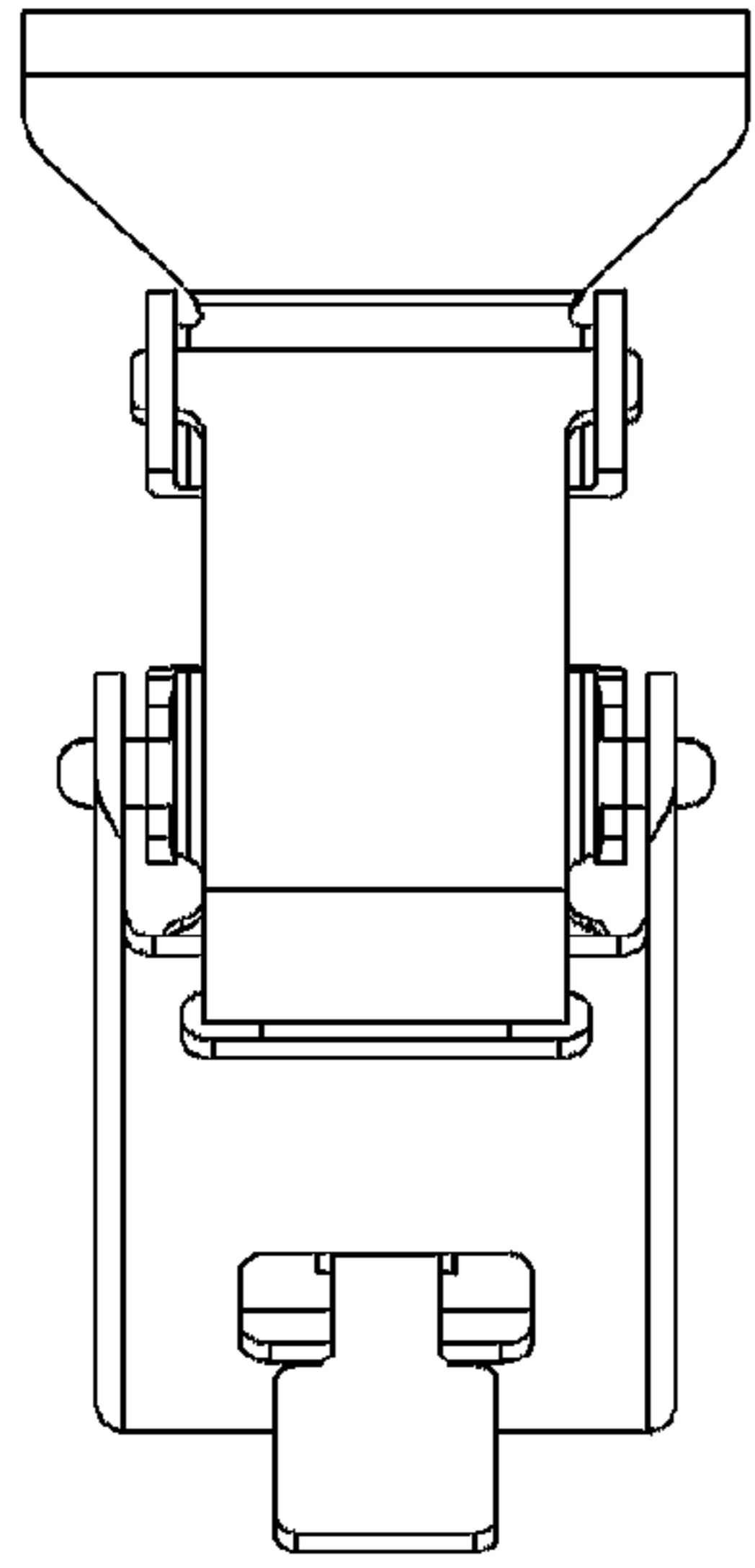


FIG. 1

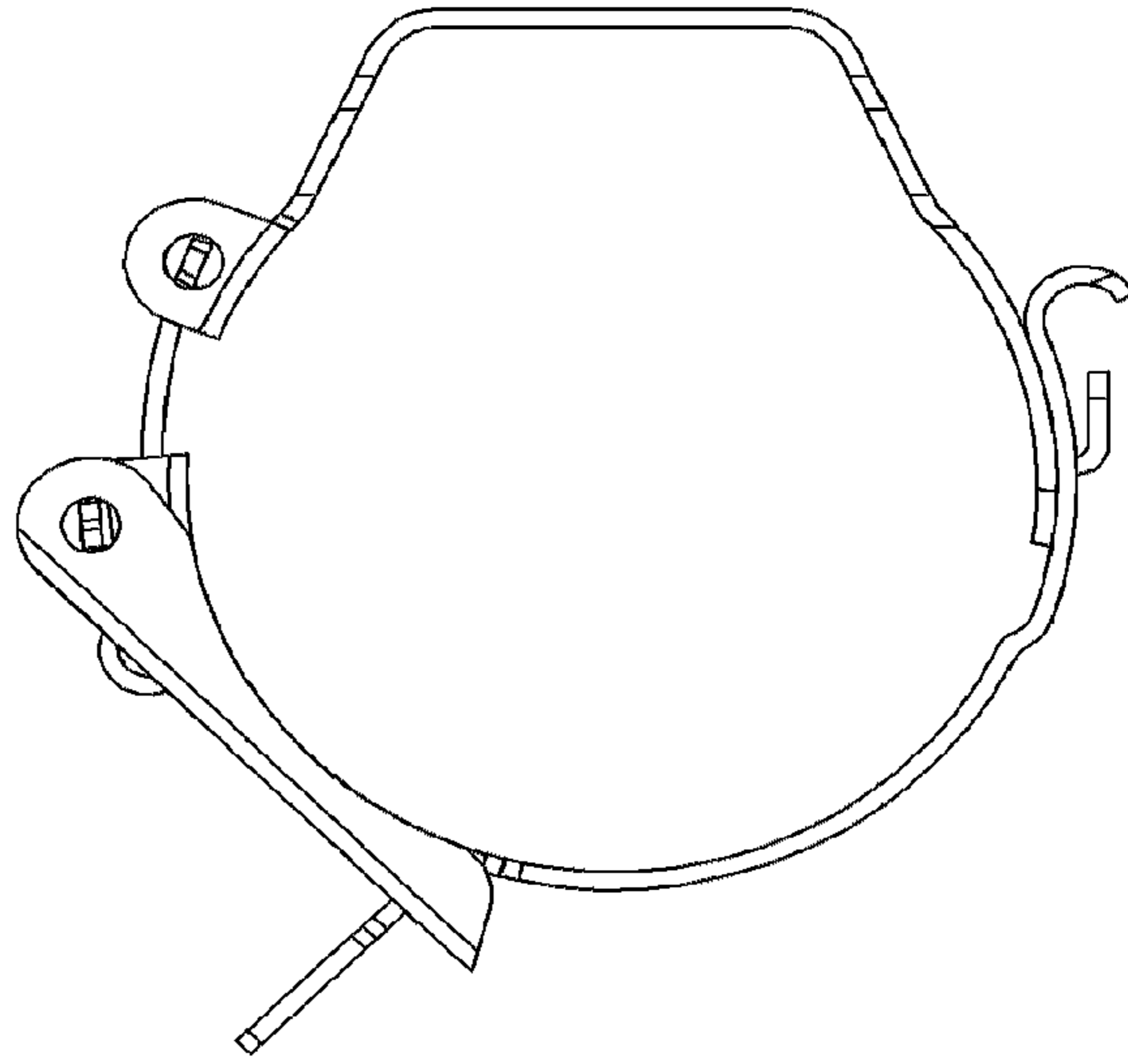


FIG. 2

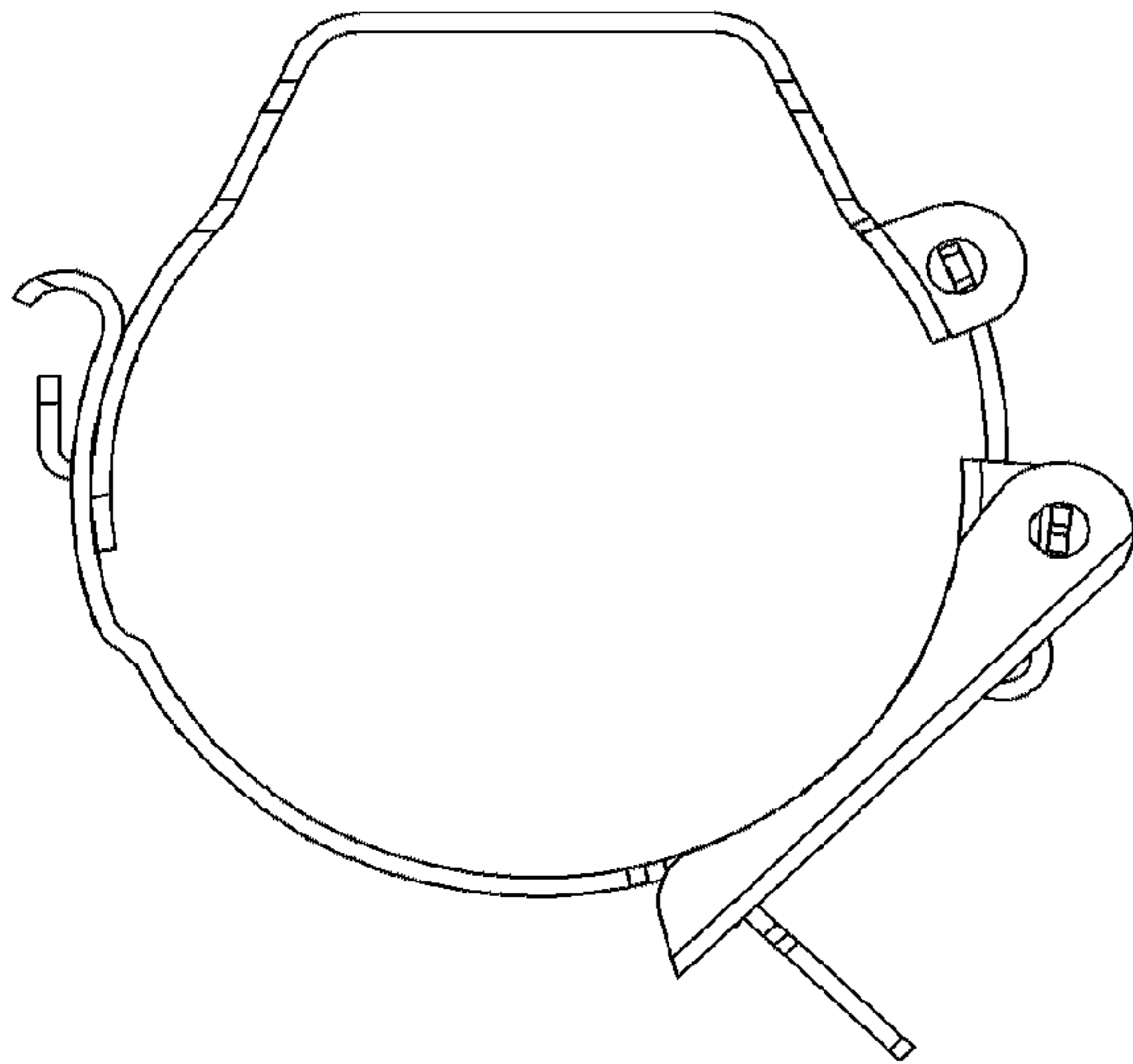


FIG. 3

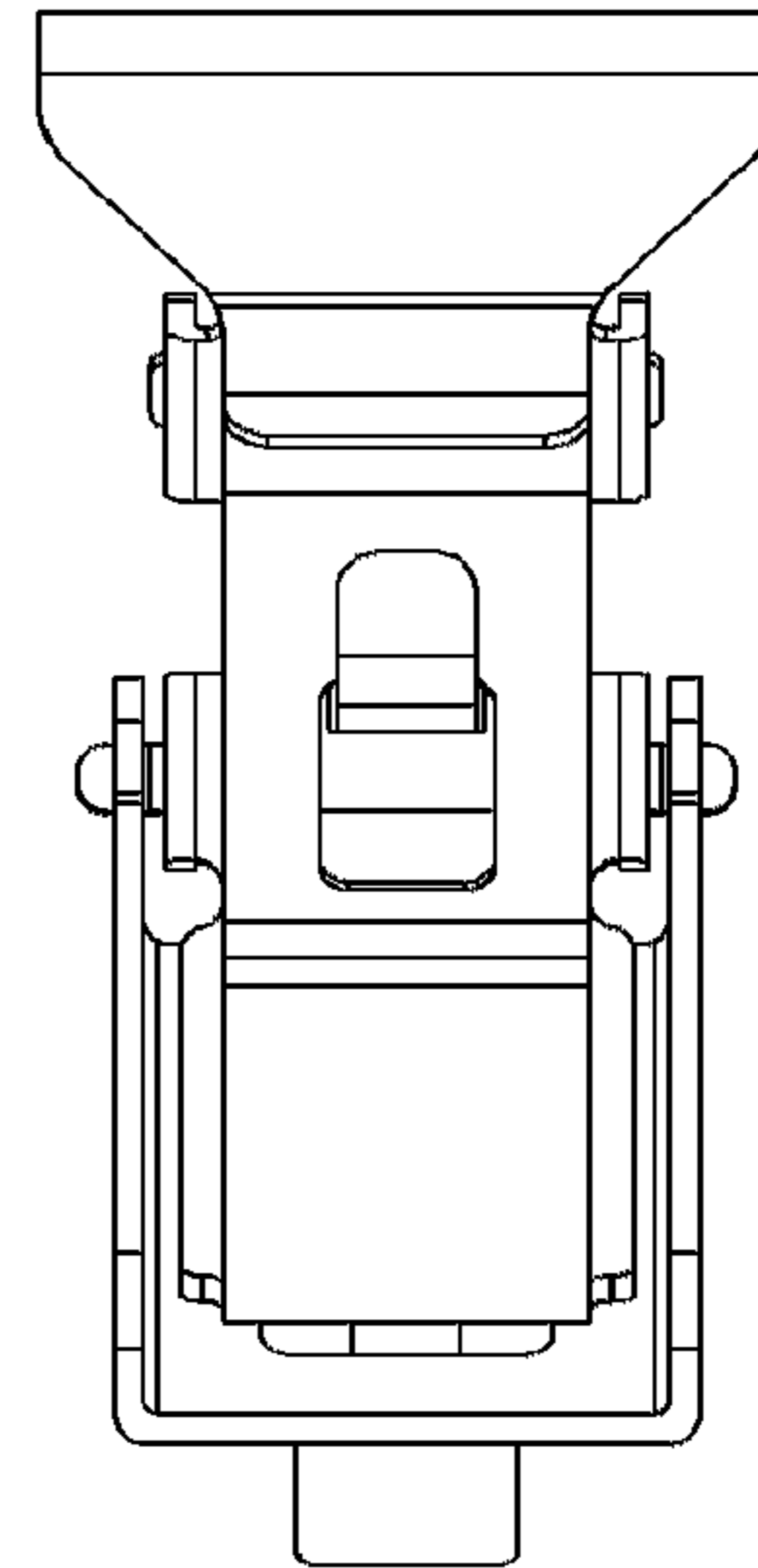


FIG. 4

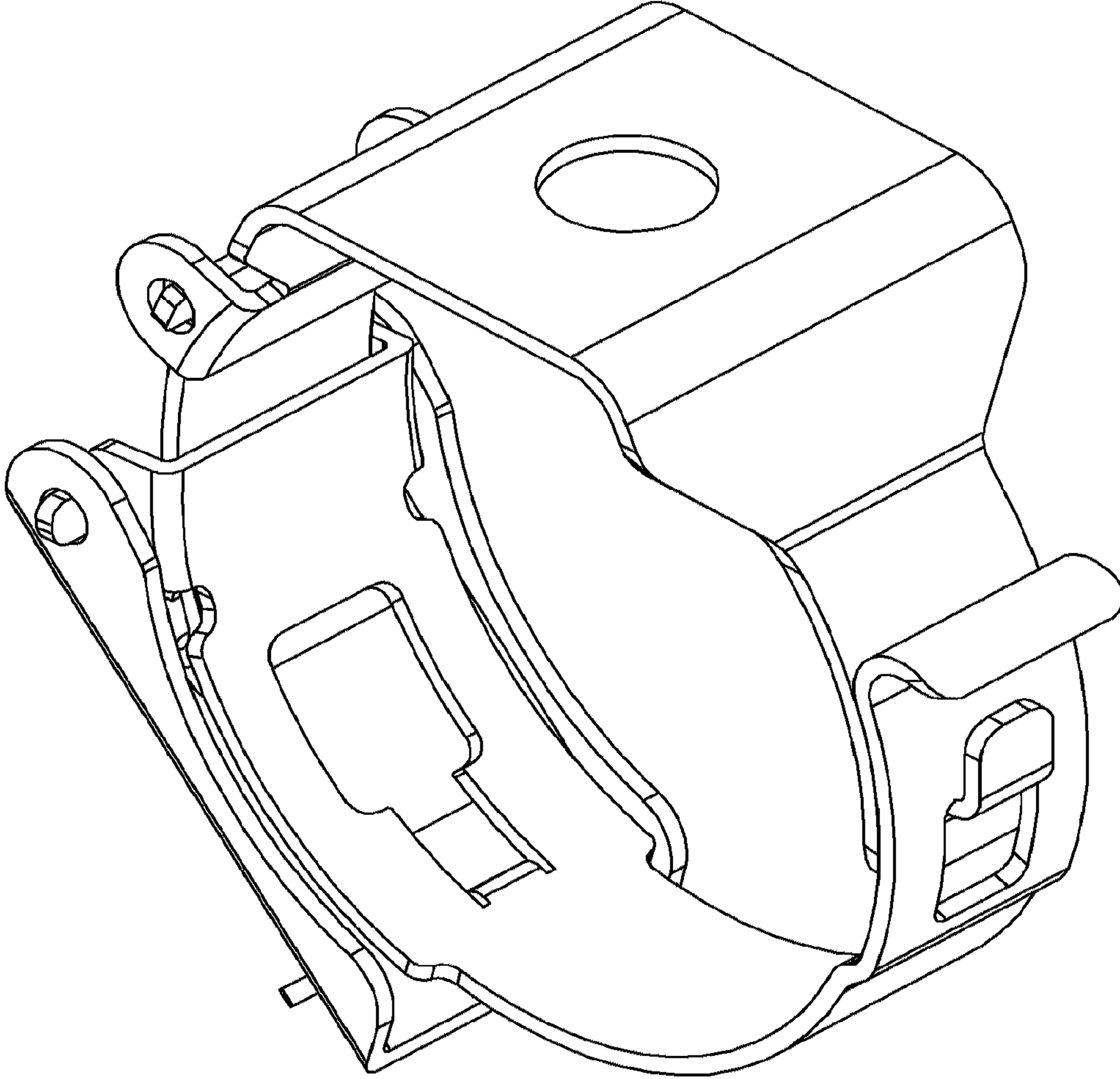


FIG. 5

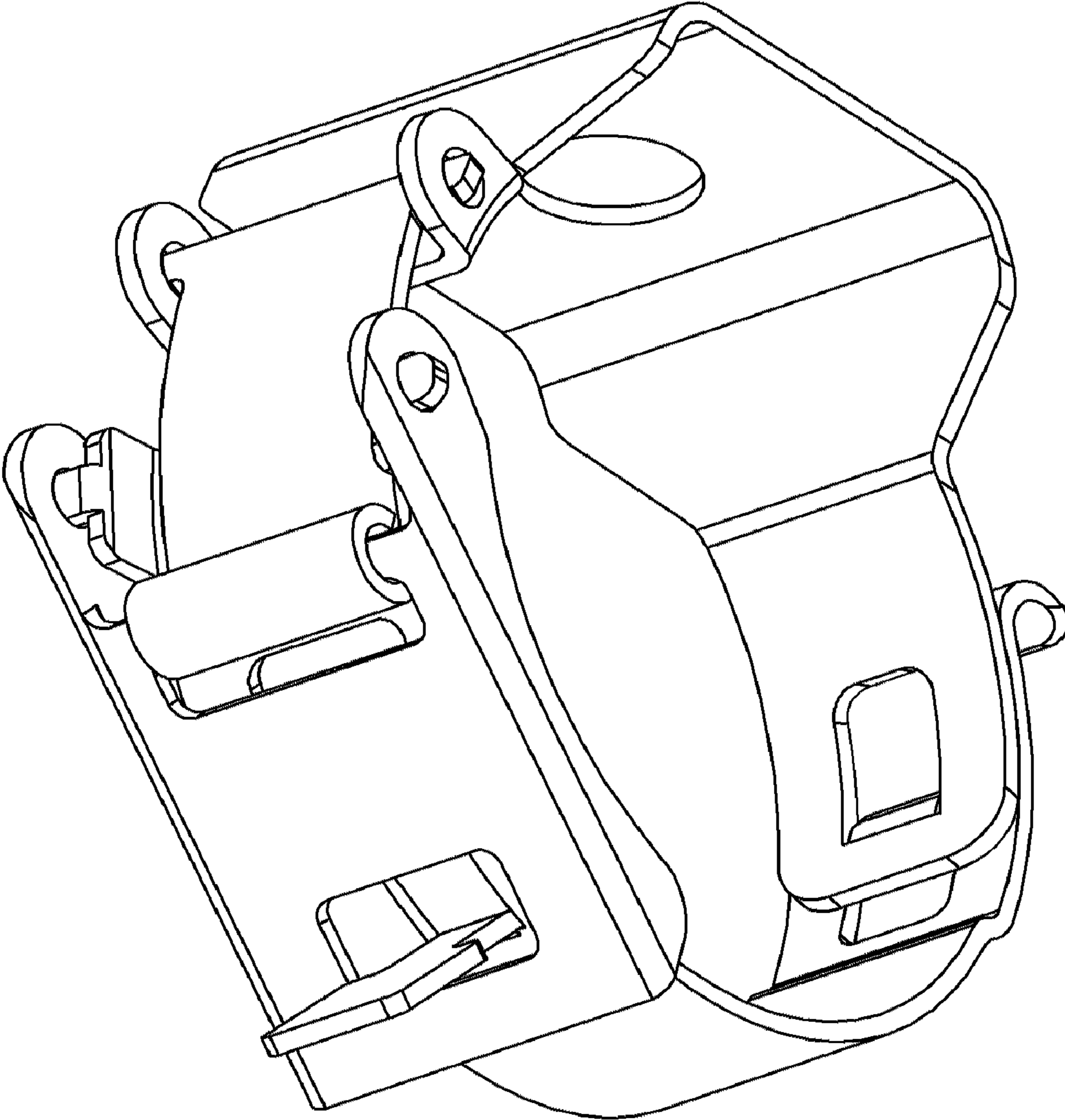


FIG. 6