



US00D665246S

(12) **United States Design Patent**
Laguelle

(10) **Patent No.:** **US D665,246 S**

(45) **Date of Patent:** **** Aug. 14, 2012**

(54) **CLOTHESPIN**

(75) Inventor: **Jean-Claude Laguelle**, Cosne d'Allier (FR)

(73) Assignee: **Laguelle**, Cosne d'Allier (FR)

(**) Term: **14 Years**

(21) Appl. No.: **29/385,950**

(22) Filed: **Feb. 23, 2011**

(30) **Foreign Application Priority Data**

Aug. 23, 2010 (EM) 001230940-0001

(51) **LOC (9) Cl.** **08-08**

(52) **U.S. Cl.** **D8/395**

(58) **Field of Classification Search** D8/394-396,
D8/72, 367, 373; D19/56, 65, 86; 24/67.3;
D32/60-64; D28/40

See application file for complete search history.

(56) **References Cited**

U.S. PATENT DOCUMENTS

D51,263 S *	9/1917	Grammes	D19/65
D307,218 S *	4/1990	Arnold	D6/328
D323,588 S *	2/1992	Pelosi	D6/328
D325,047 S *	3/1992	Chou	D19/65
D467,400 S *	12/2002	Barre et al.	D32/61

D500,603 S *	1/2005	Lambert	D6/326
D512,906 S *	12/2005	Wood	D8/395
D518,367 S *	4/2006	Hay	D8/395
D541,144 S *	4/2007	Frankum	D8/395
D549,417 S *	8/2007	Siegel et al.	D32/61
D563,779 S *	3/2008	Yip et al.	D8/395
D577,393 S *	9/2008	Nada et al.	D21/503
D599,520 S *	9/2009	Boesi et al.	D32/61
D611,334 S *	3/2010	Lambert	D8/395

* cited by examiner

Primary Examiner — John Windmuller

(74) *Attorney, Agent, or Firm* — Stites & Harbison PLLC; Douglas E. Jackson

(57) **CLAIM**

The ornamental design for a clothespin, as shown and described.

DESCRIPTION

FIG. 1 is a front, top and left side perspective view of a clothespin showing the new design, and the rear, top and right side perspective view is a mirror image of FIG. 1.

FIG. 2 is front view thereof, and the rear view is a mirror image of FIG. 2.

FIG. 3 is a right side view thereof, and the left side view is a mirror image of FIG. 3.

FIG. 4 is a bottom view thereof; and,

FIG. 5 is a top view thereof.

The portions of the clothespin shown in broken lines in FIGS. 1 and 5 form no part of the claimed design.

1 Claim, 5 Drawing Sheets

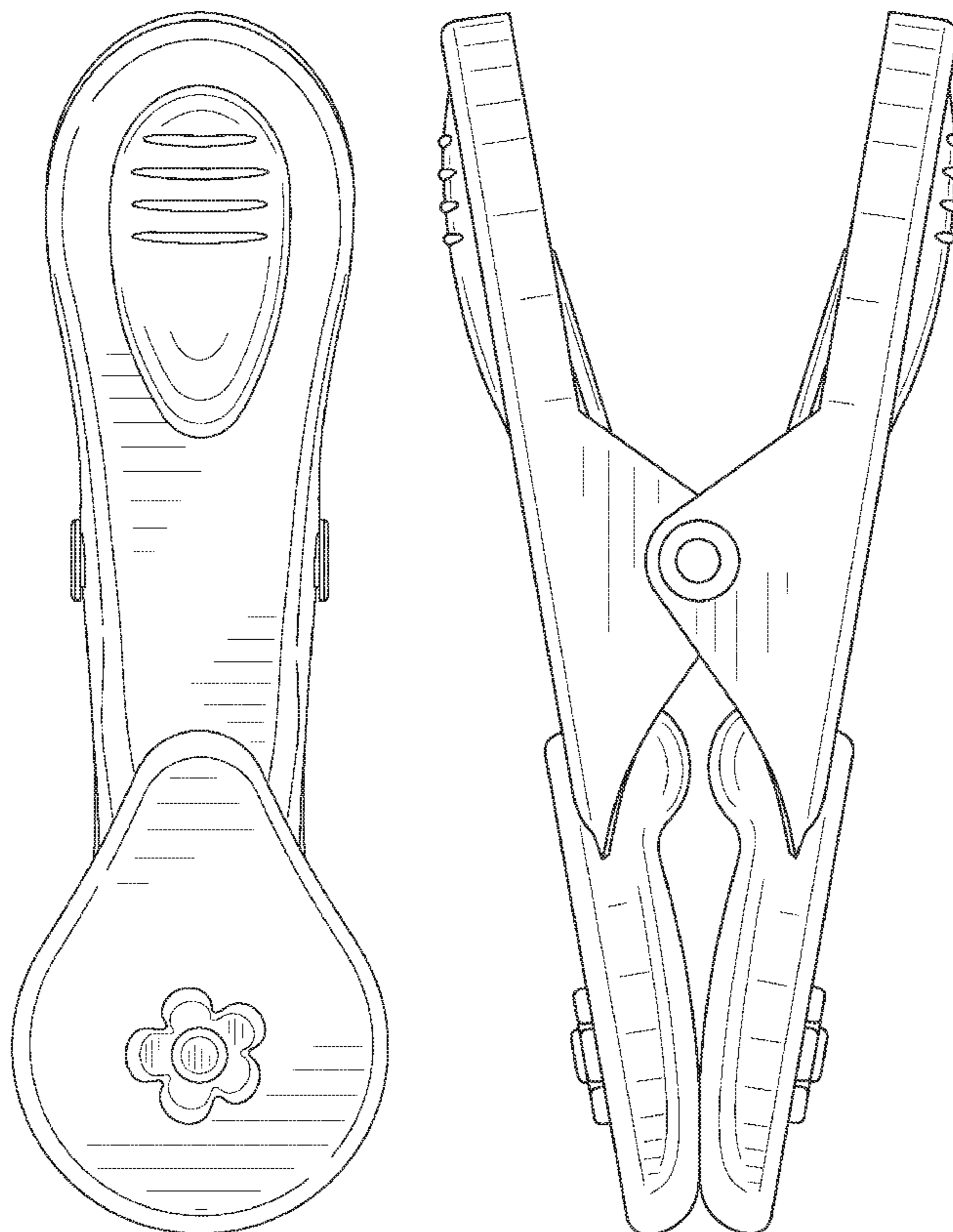
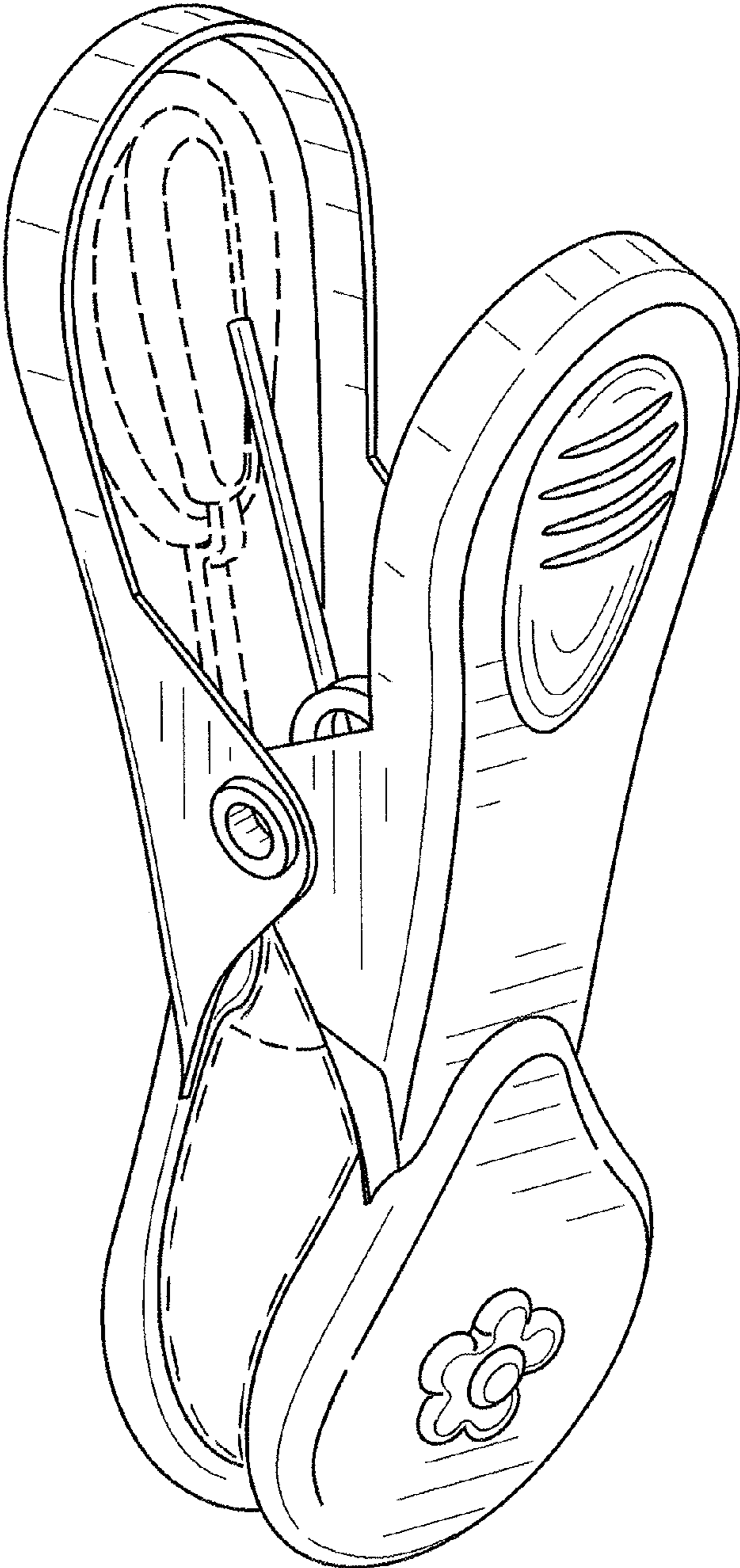


FIG. 1



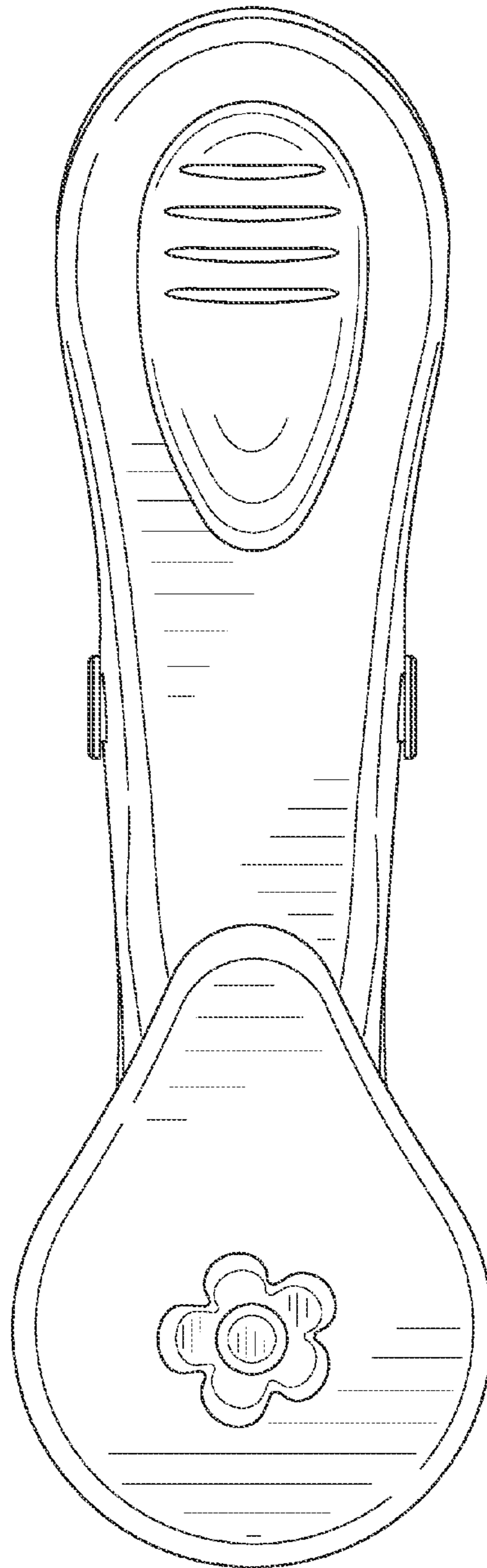


FIG. 2

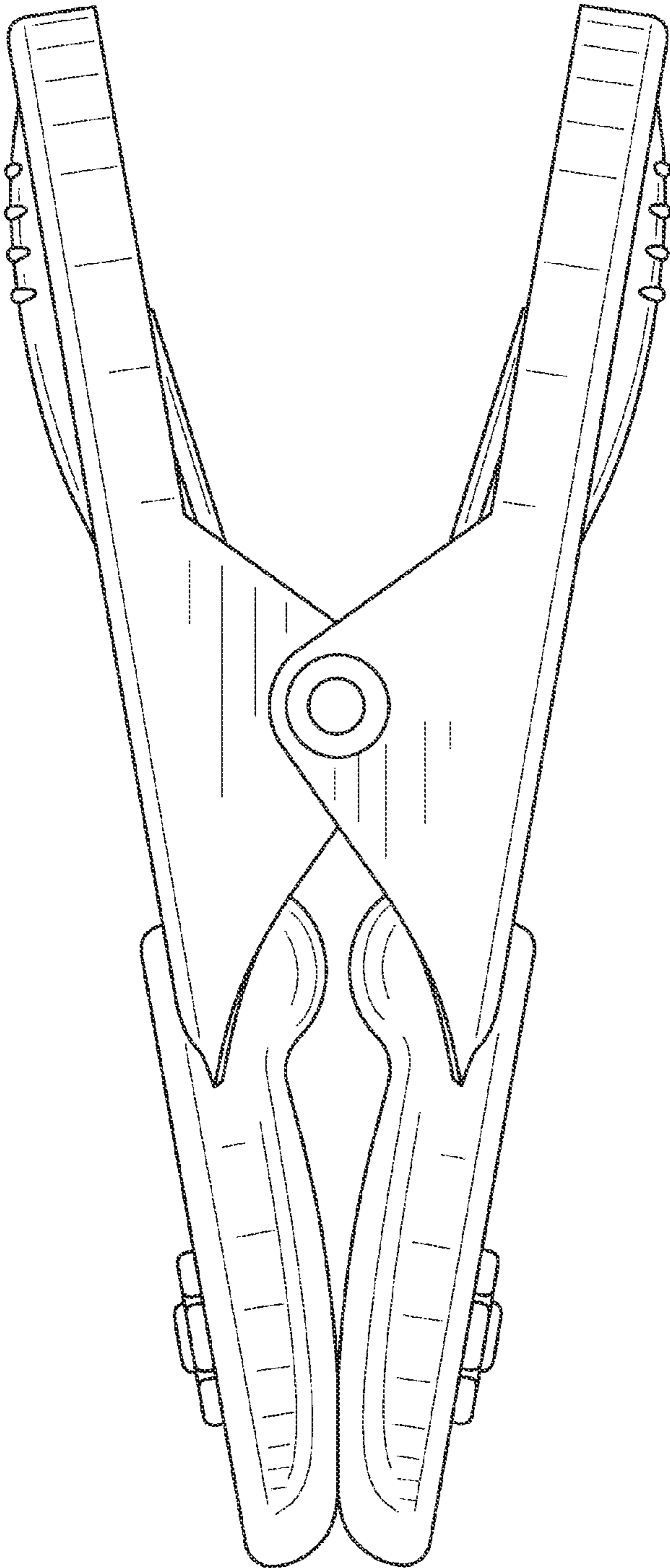


FIG. 3

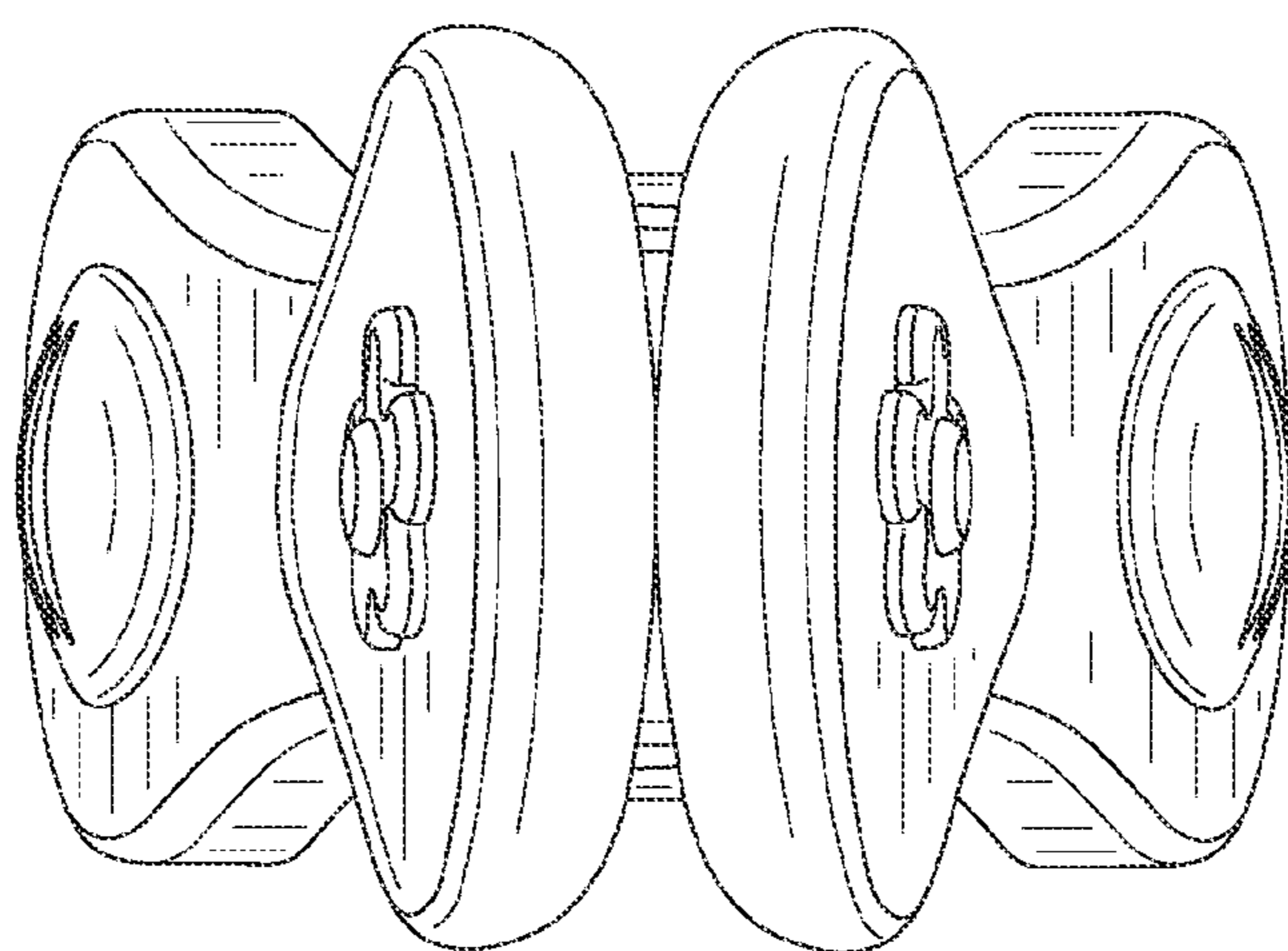


FIG. 4

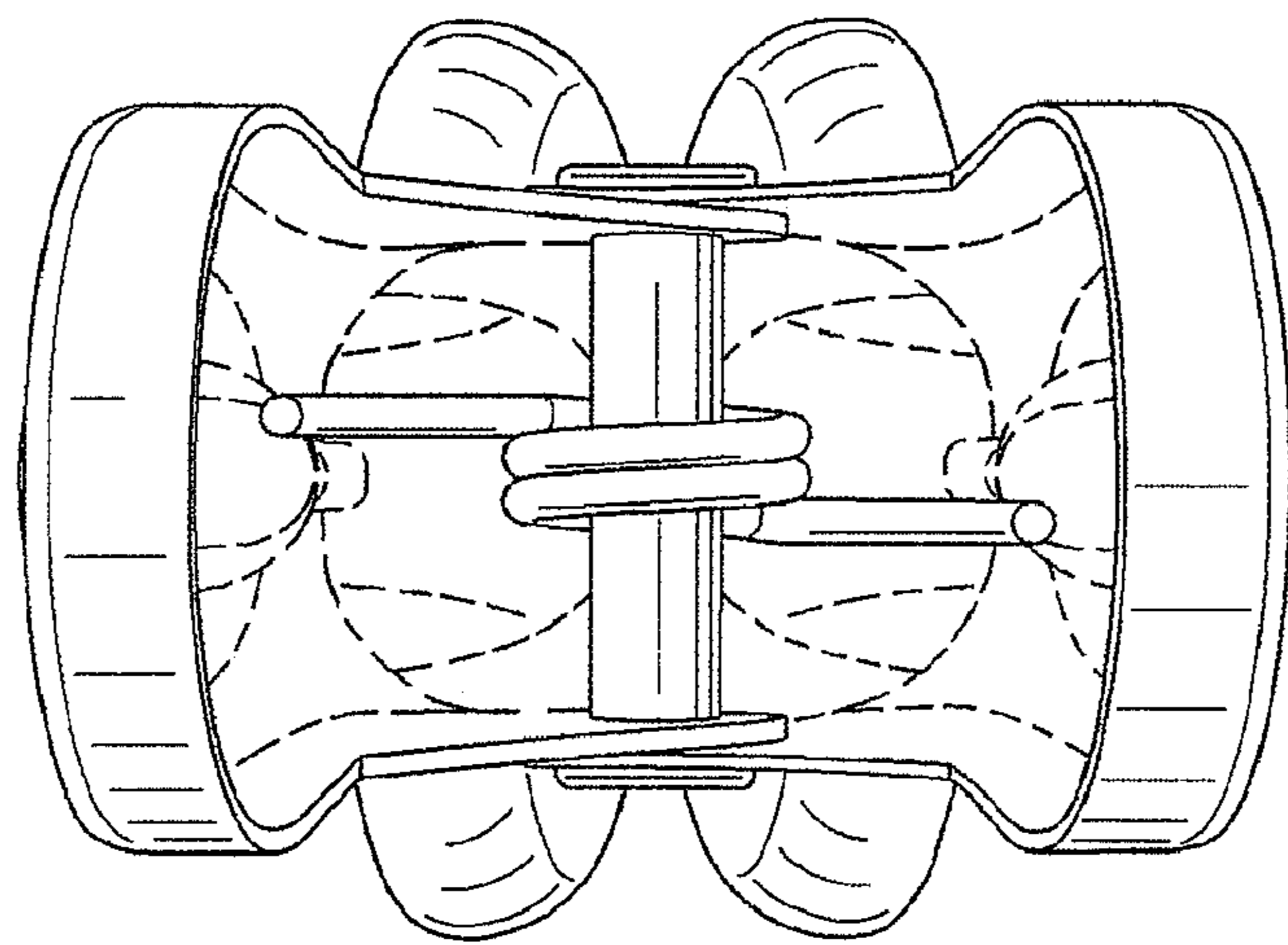


FIG. 5