

US00D665245S

(12) **United States Design Patent**  
**Nakazato**

(10) **Patent No.:** **US D665,245 S**

(45) **Date of Patent:** **\*\* Aug. 14, 2012**

(54) **FASTENER FOR AUTOMOBILE PARTS**

(75) Inventor: **Hiroshi Nakazato**, Kanagawa-ken (JP)

(73) Assignee: **Piolax Inc.**, Yokohama-Shi,  
Kanagawa-Ken (JP)

(\*\*) Term: **14 Years**

(21) Appl. No.: **29/371,043**

(22) Filed: **Sep. 29, 2010**

(30) **Foreign Application Priority Data**

Mar. 30, 2010 (JP) ..... D2010-007827

(51) **LOC (9) Cl.** ..... **08-08**

(52) **U.S. Cl.** ..... **D8/382; D12/223**

(58) **Field of Classification Search** ..... D8/349,  
D8/382, 354, 384-393; D12/223; 24/297,  
24/453, 265 CD, 703; 411/508, 509, 510,  
411/45, 500, 511, 455, 908, 913, 923; 248/300,  
248/200, 187.1, 495

See application file for complete search history.

(56) **References Cited**

**U.S. PATENT DOCUMENTS**

4,396,329	A *	8/1983	Wollar	411/508
5,211,519	A *	5/1993	Saito	411/45
D354,219	S *	1/1995	Shimajiri	D8/382
D355,113	S *	2/1995	Shimajiri	D8/382
D380,667	S *	7/1997	Kanamori et al.	D8/382
D382,468	S *	8/1997	Takahashi	D8/382
D390,776	S *	2/1998	Ueno	D8/382
5,797,714	A *	8/1998	Oddenino	411/508
D456,699	S *	5/2002	Nakanishi	D8/382
6,398,473	B1 *	6/2002	Kraus	411/508
6,406,236	B1 *	6/2002	Olson, Jr.	411/61

6,481,942	B2 *	11/2002	Tanaka	411/45
6,719,513	B1 *	4/2004	Moutousis et al.	411/510
D498,414	S *	11/2004	Yoneoka	D8/382
D500,245	S *	12/2004	Okada	D8/382
6,910,840	B2 *	6/2005	Anscher	411/41

(Continued)

**FOREIGN PATENT DOCUMENTS**

JP D 1368299 7/2009

*Primary Examiner* — Mark Goodwin

(74) *Attorney, Agent, or Firm* — McGinn IP Law Group, PLLC

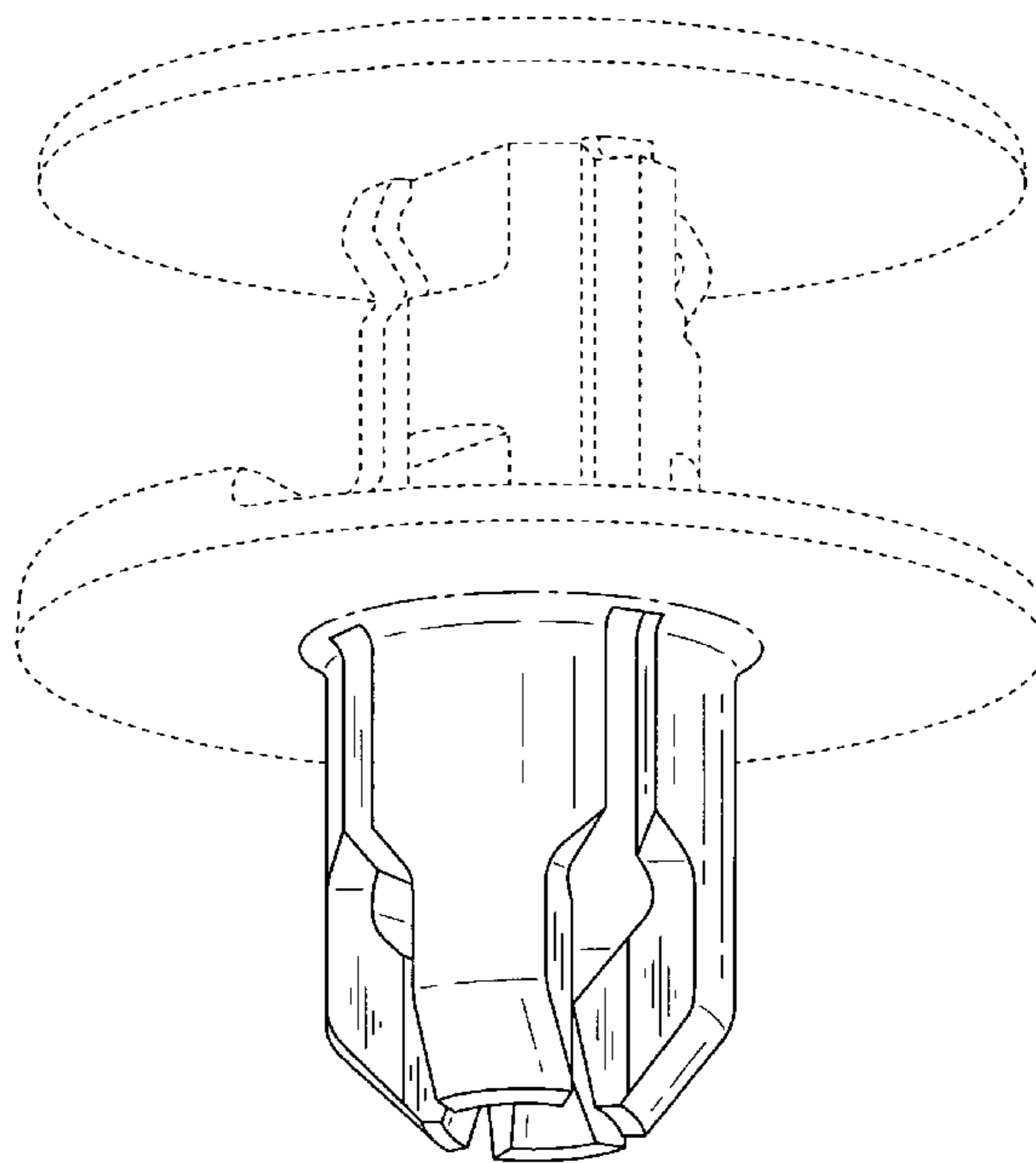
(57) **CLAIM**

The ornamental design for a fastener for automobile parts, as shown and described.

**DESCRIPTION**

FIG. 1 is a perspective view of the front, bottom and left side of a fastener for automobile parts showing my new design; FIG. 2 is a front view thereof; FIG. 3 is a top plan view thereof; FIG. 4 is a bottom plan view thereof; FIG. 5 is a left side view thereof; FIG. 6 is a right side view thereof; FIG. 7 is a front view of a female member; FIG. 8 is a top plan view of the female member; FIG. 9 is a bottom plan view of the female member; FIG. 10 is a left side view of the female member; FIG. 11 is a right side view of the female member; FIG. 12 is a front view of a male member; FIG. 13 is a top plan view of the male member; FIG. 14 is a bottom plan view of the male member; and, FIG. 15 is a right side view of the male member. The elements shown in broken lines are for illustrative purposes only and form no part of the claimed design.

**1 Claim, 11 Drawing Sheets**



# US D665,245 S

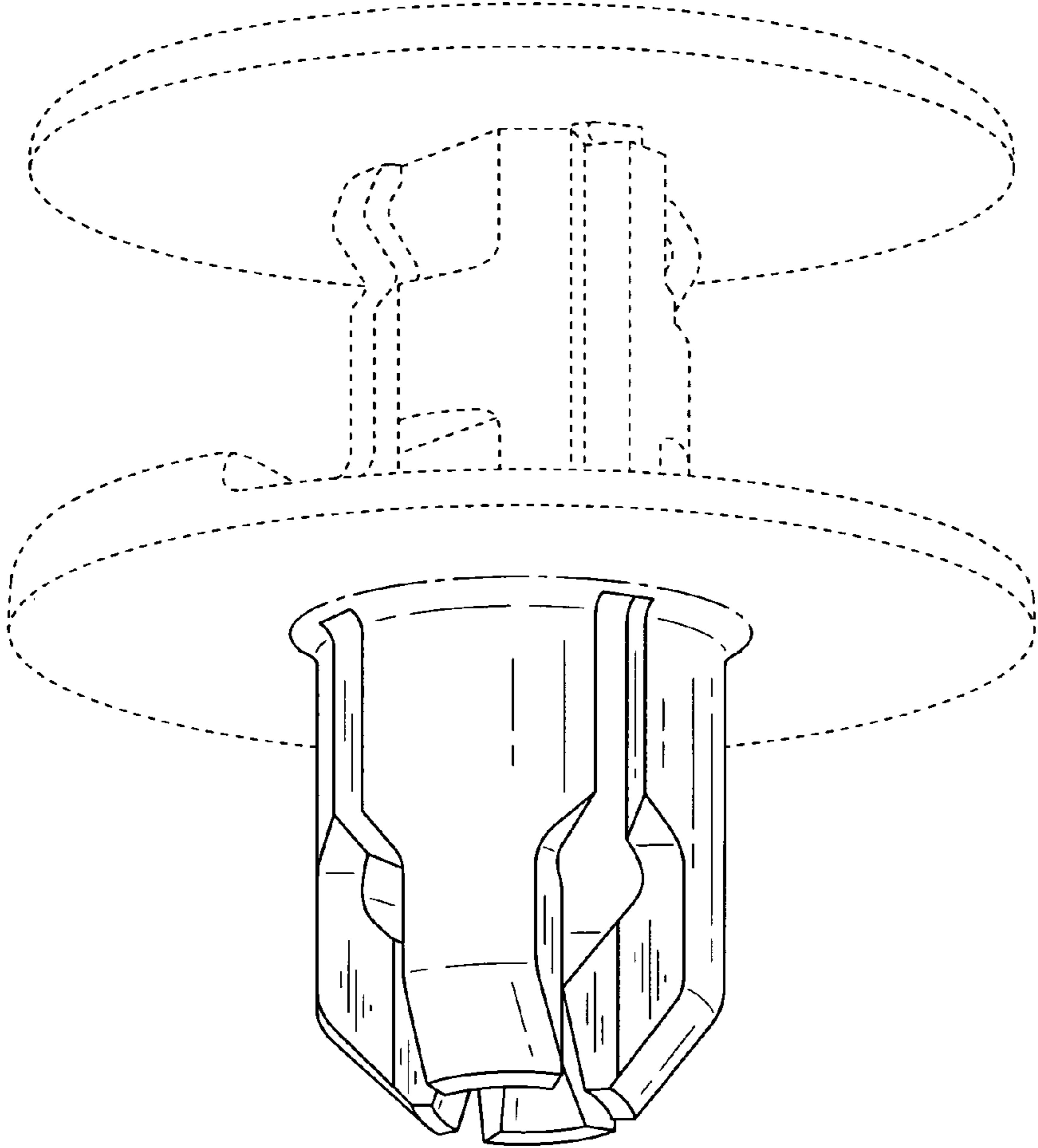
Page 2

---

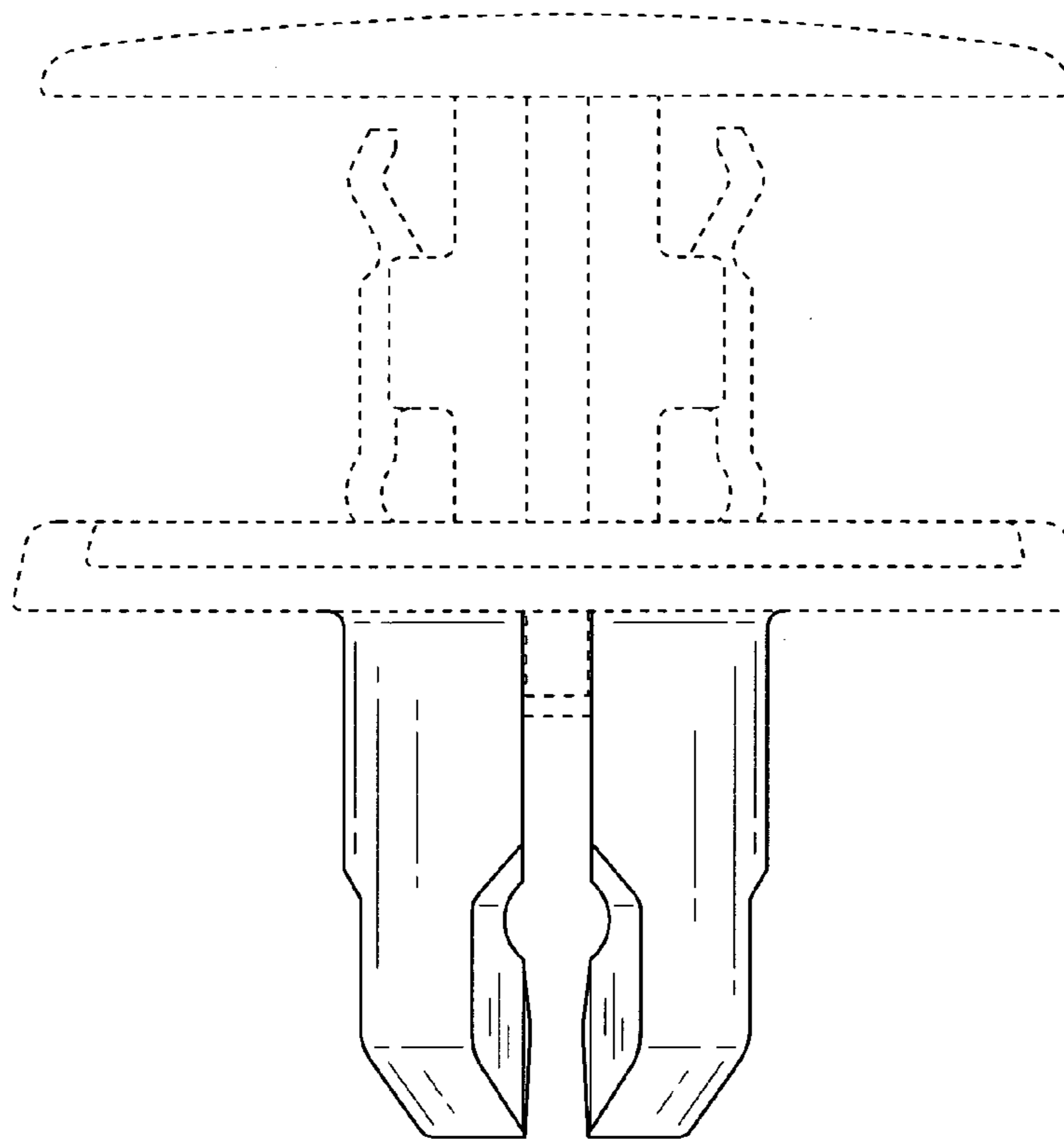
## U.S. PATENT DOCUMENTS

6,974,292	B2 *	12/2005	Hansen	.....	411/508	D589,333	S *	3/2009	Nakazato	.....	D8/382
D529,793	S *	10/2006	Kuroda	.....	D8/382	7,503,528	B2 *	3/2009	Adams et al.	.....	248/71
D564,344	S *	3/2008	Nakazato	.....	D8/382	D590,241	S *	4/2009	Kubo et al.	.....	D8/382
D566,534	S *	4/2008	Okada	.....	D8/382	D632,550	S *	2/2011	Watanabe	.....	D8/382
D566,535	S *	4/2008	Asano et al.	.....	D8/382	D635,451	S *	4/2011	Sekine	.....	D8/382

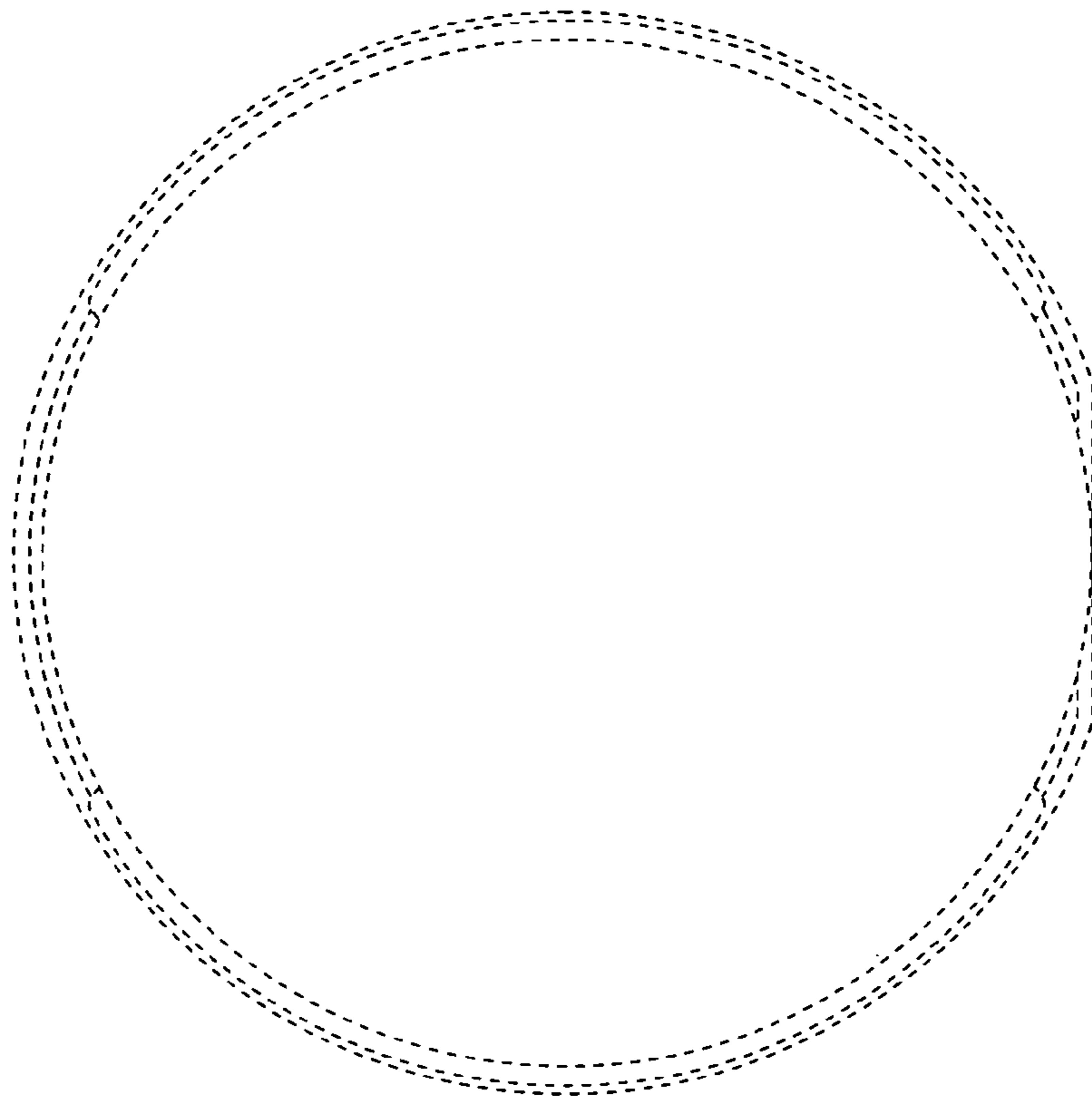
\* cited by examiner



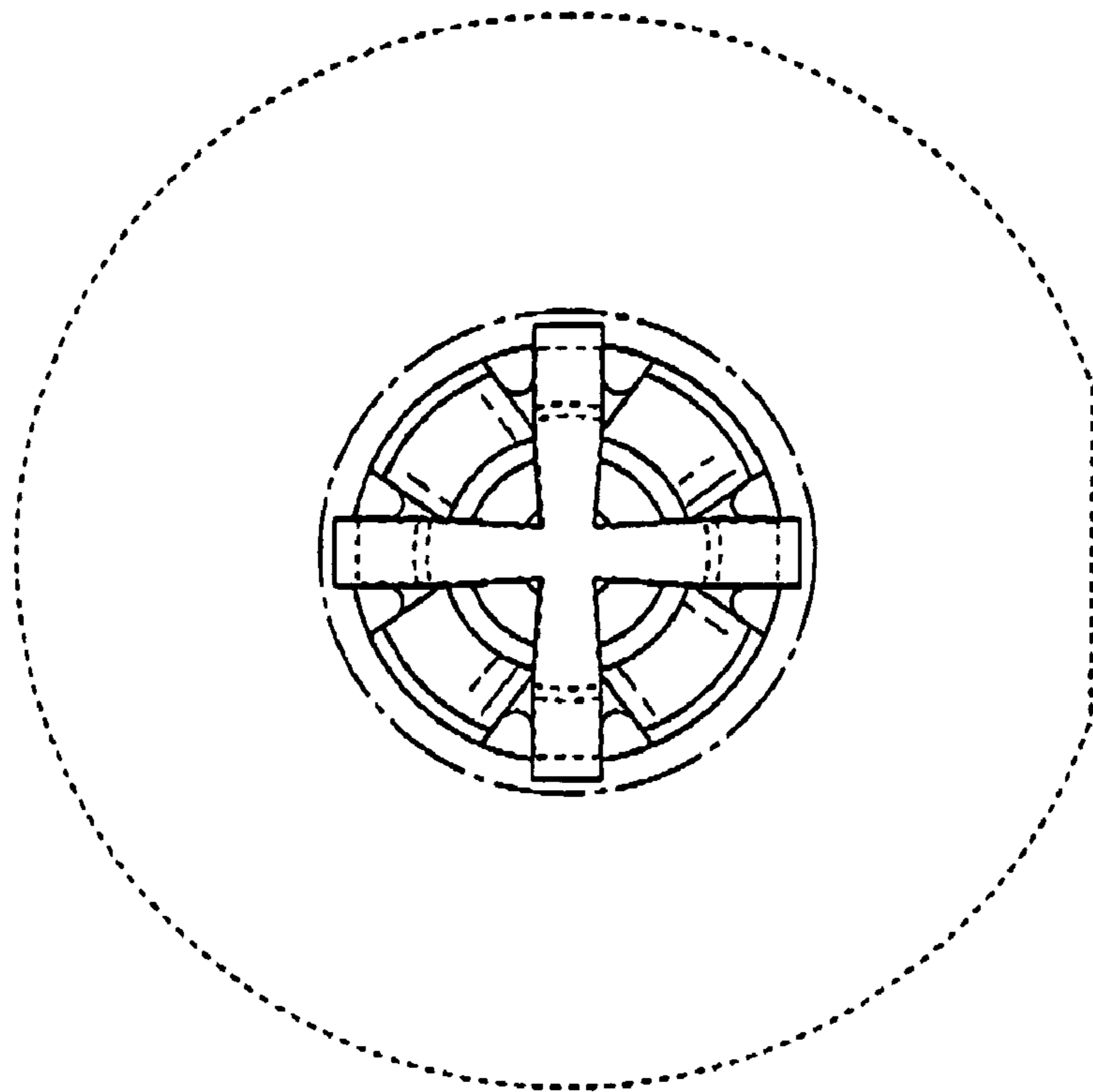
**FIG. 1**



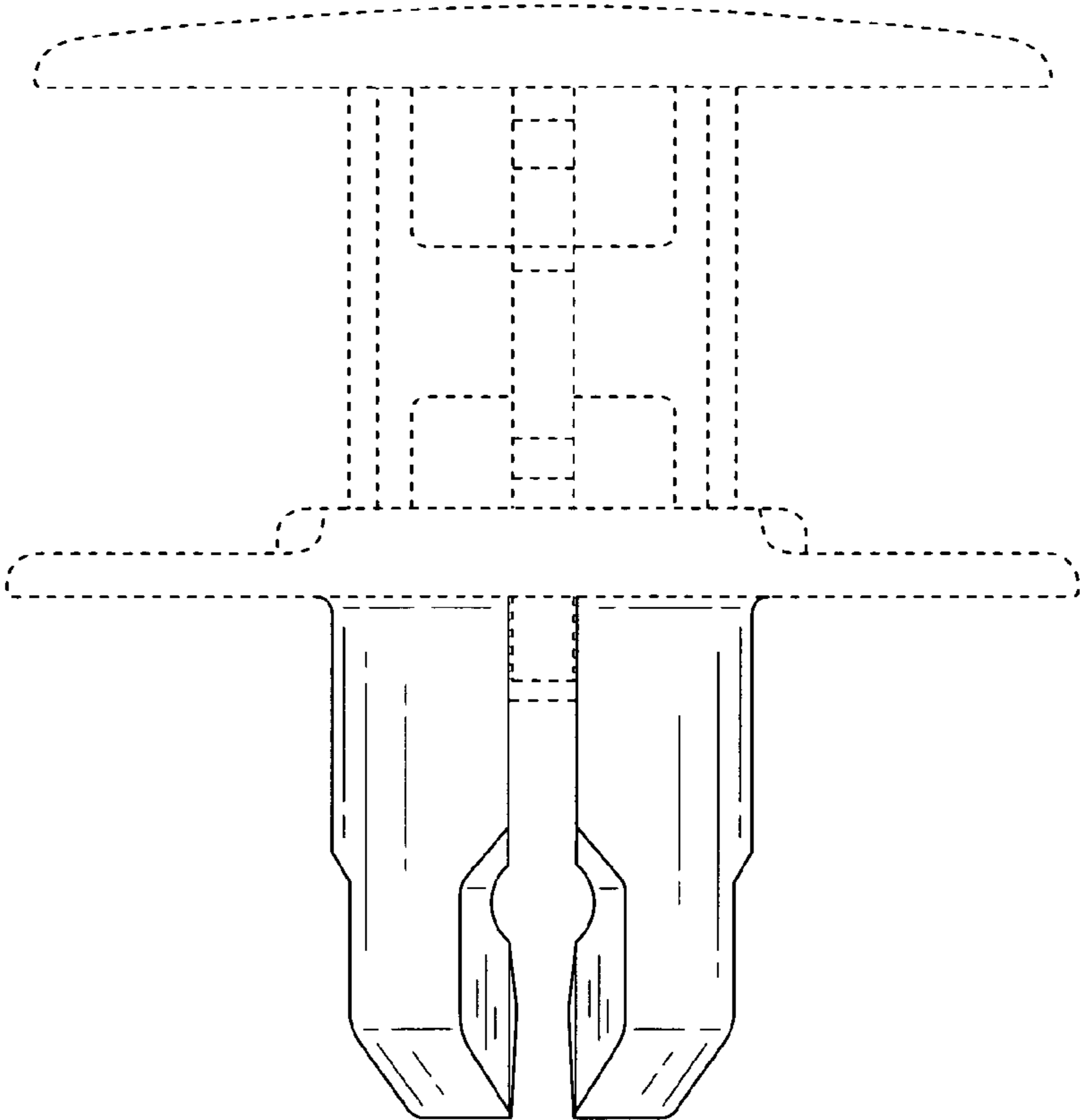
*FIG. 2*



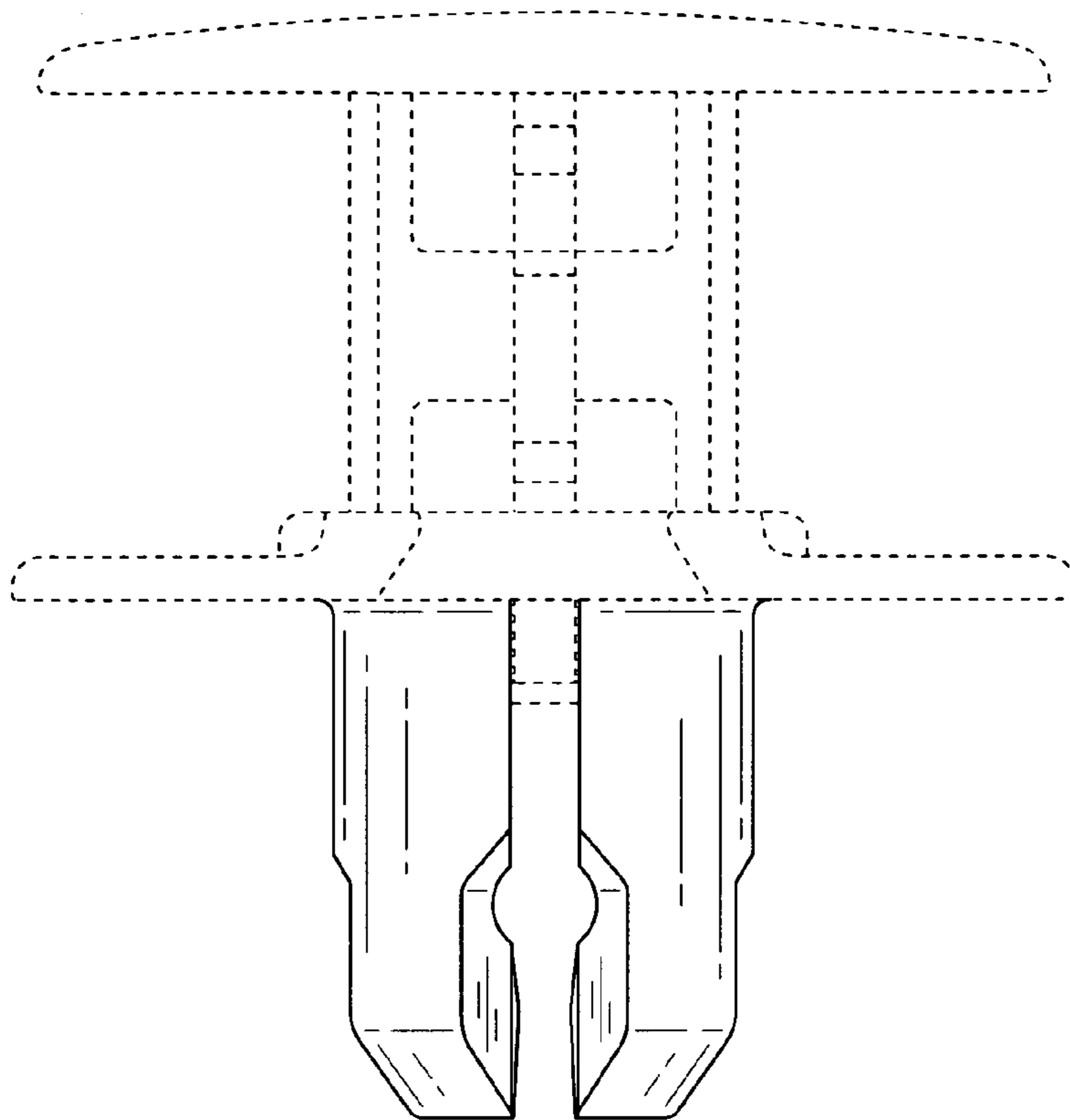
*FIG. 3*



*FIG. 4*

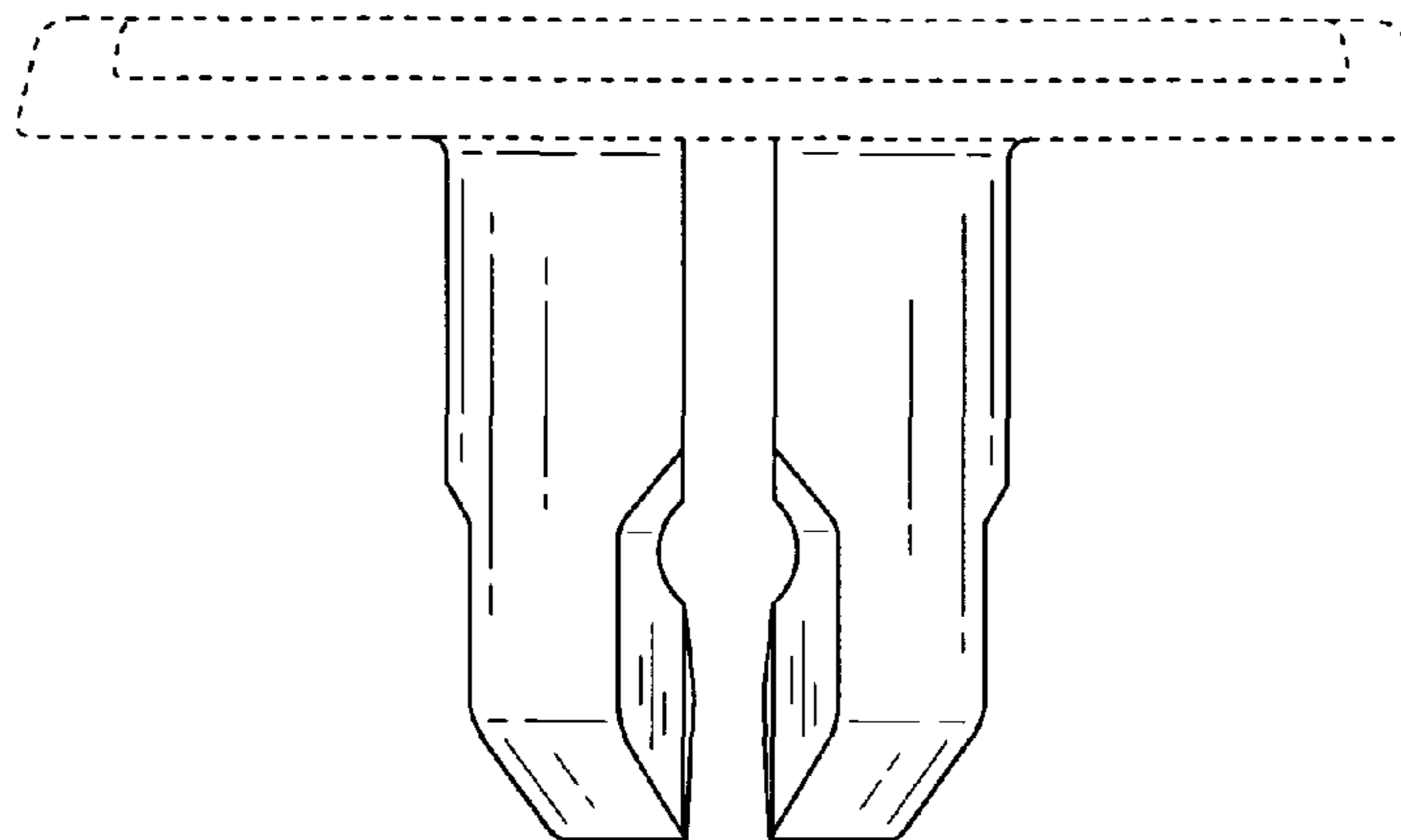


**FIG. 5**

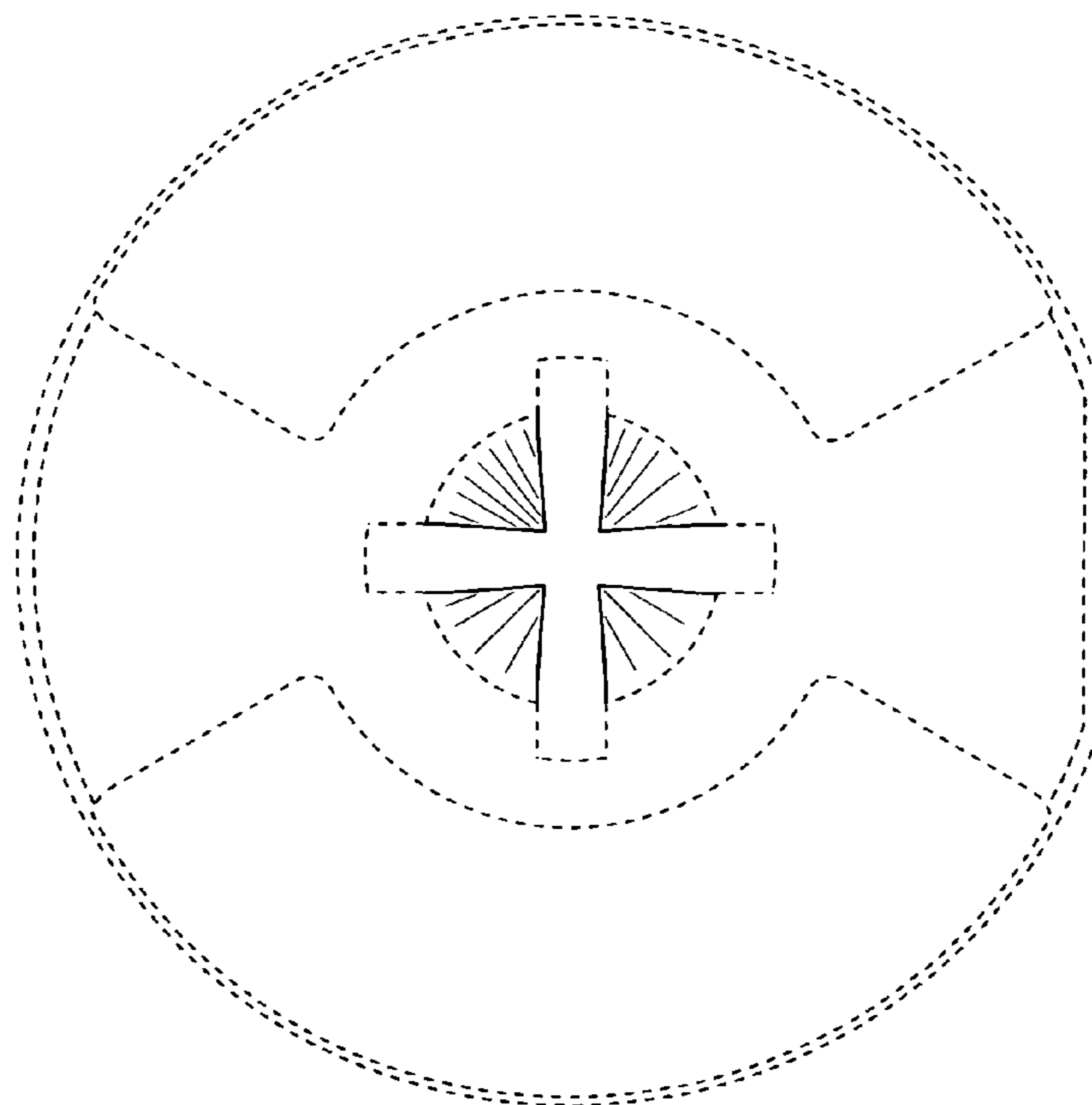


**FIG. 6**

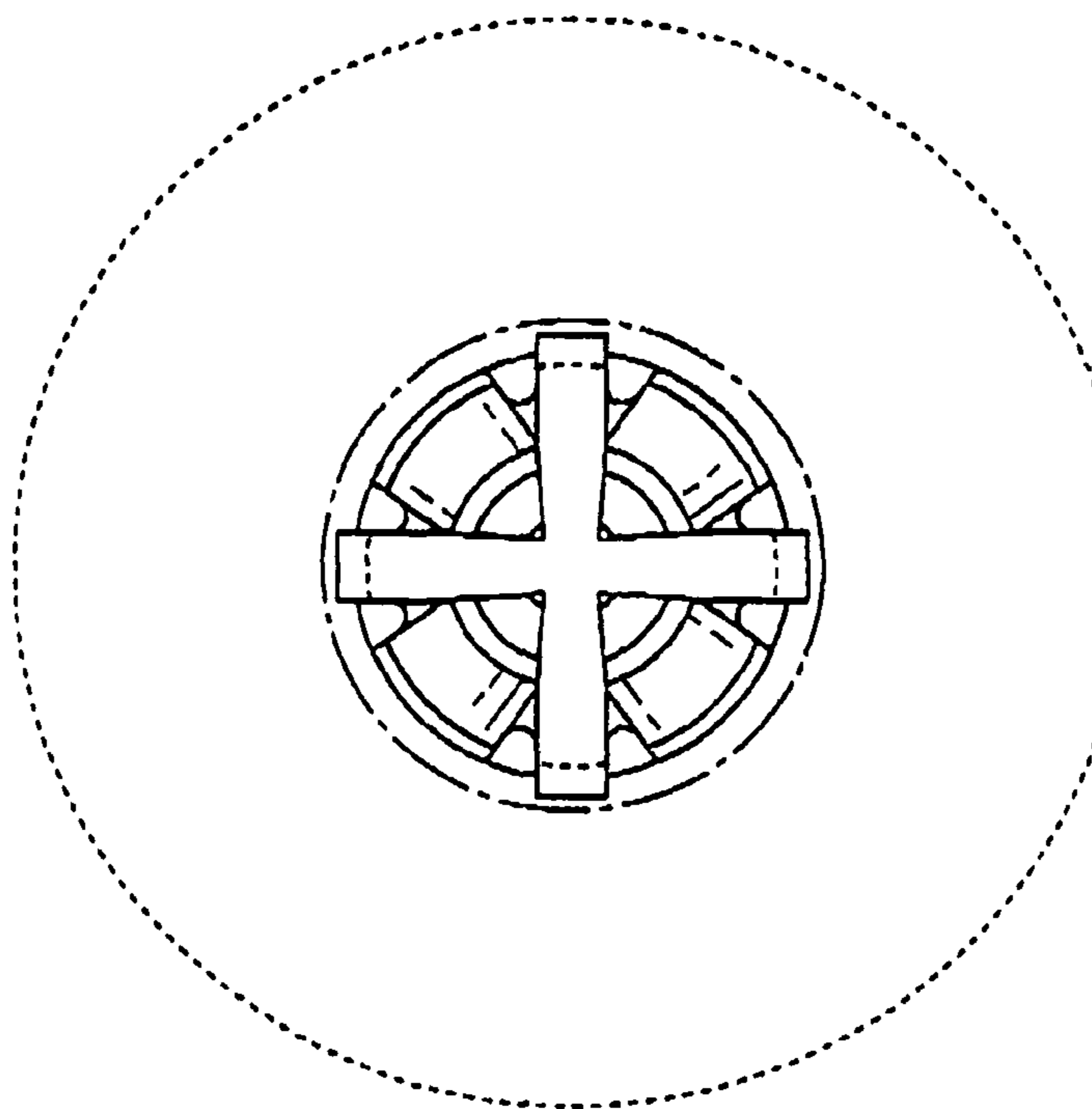




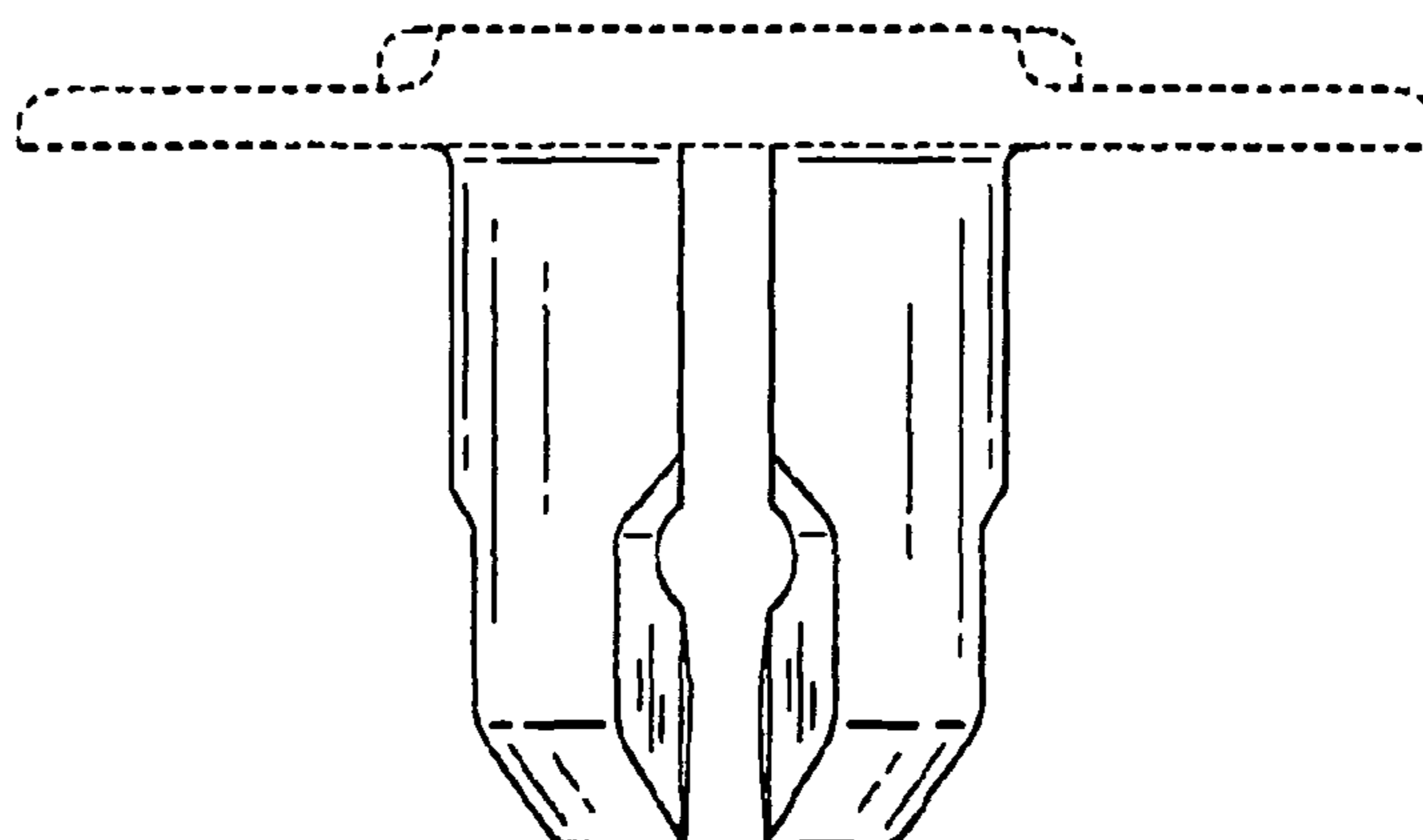
*FIG. 7*



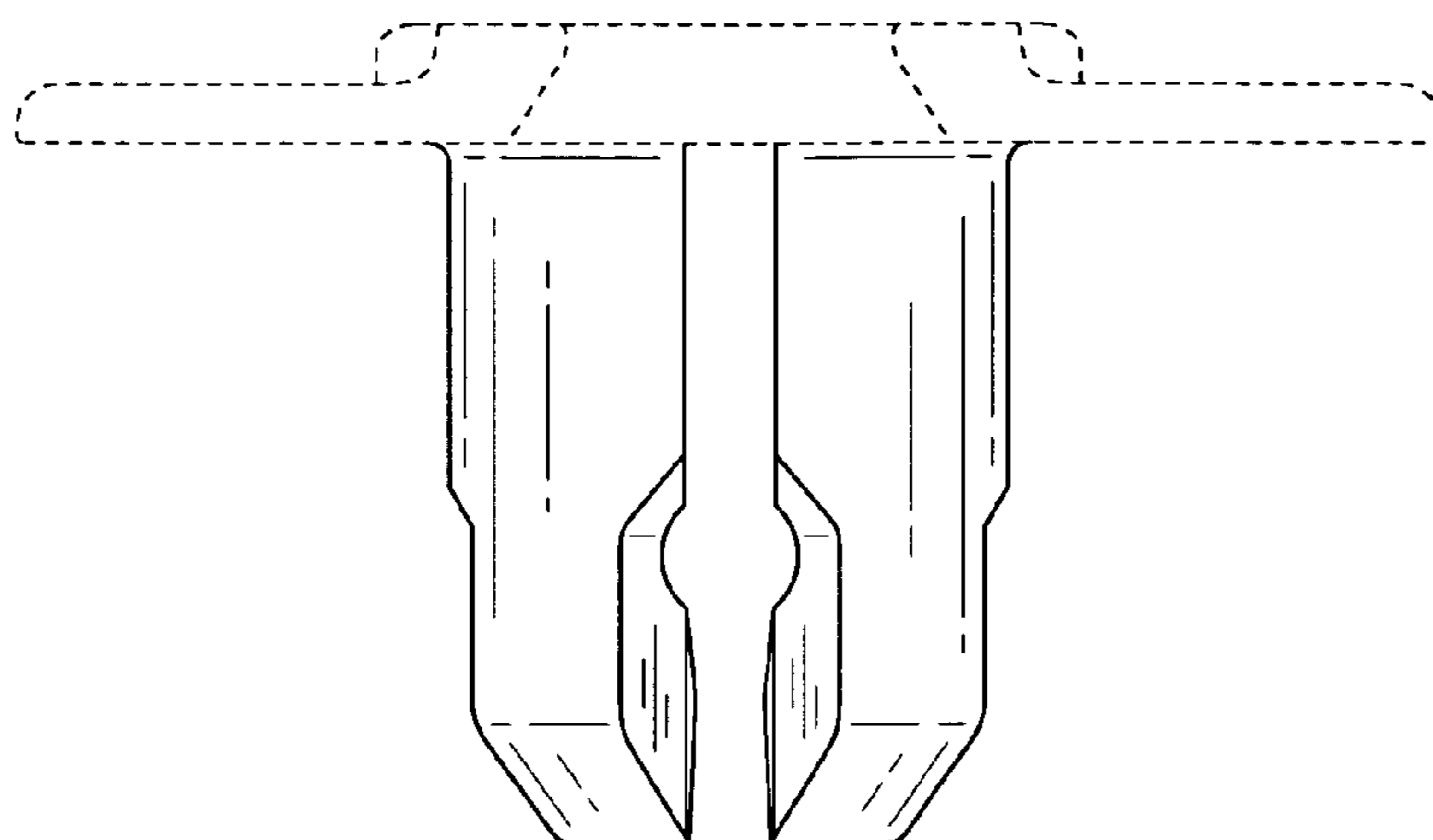
*FIG. 8*



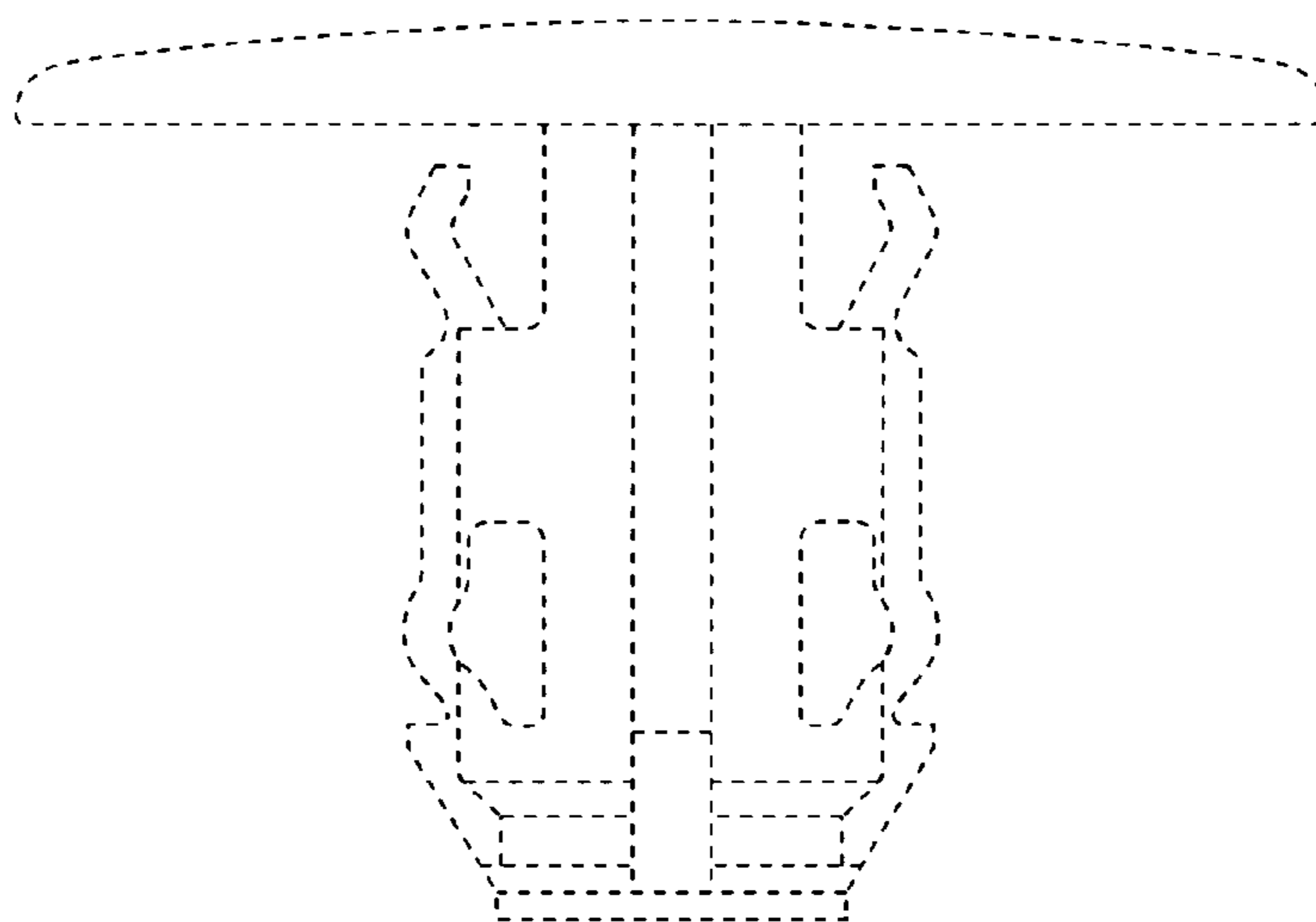
**FIG. 9**



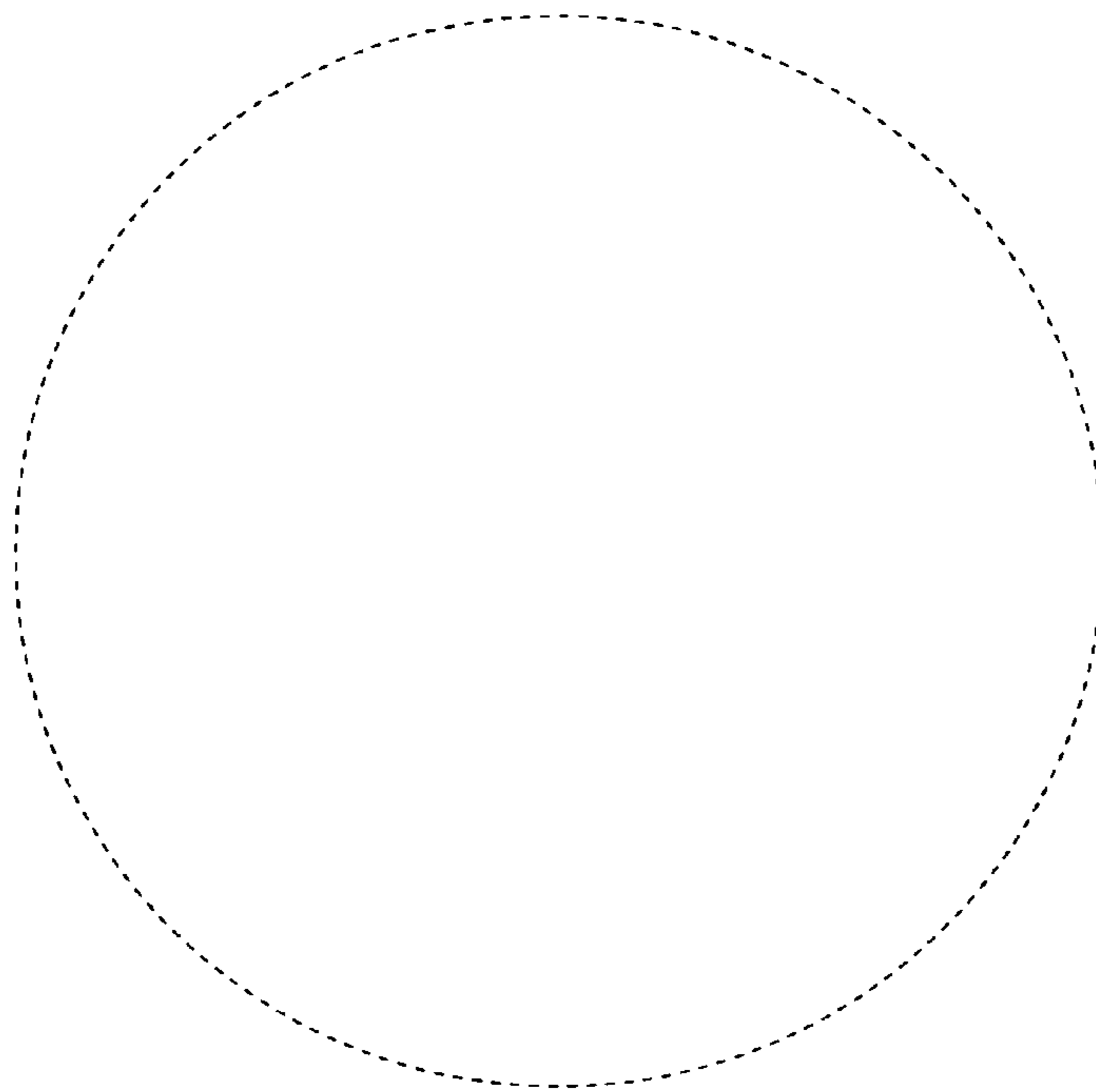
**FIG. 10**



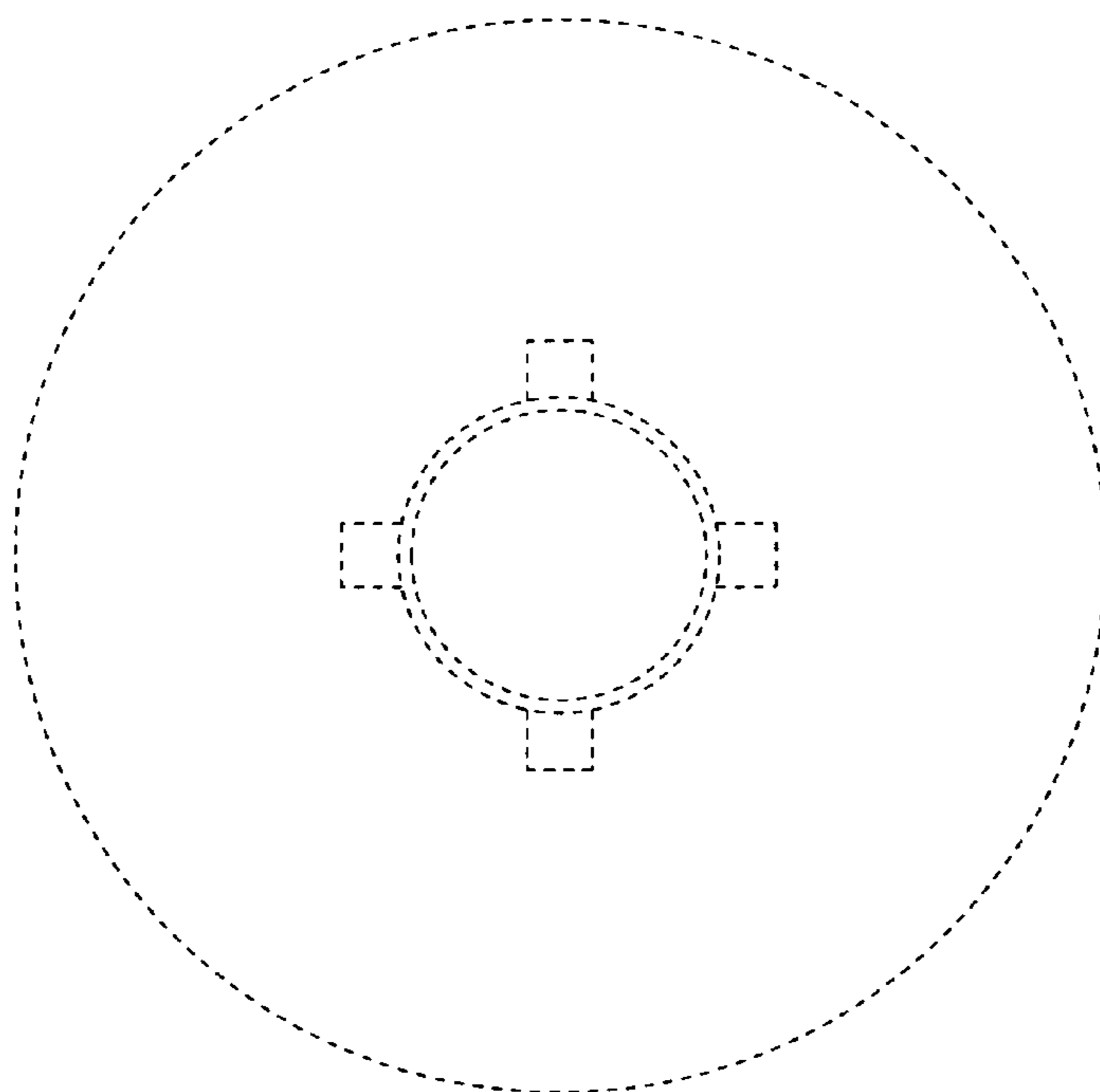
*FIG. 11*



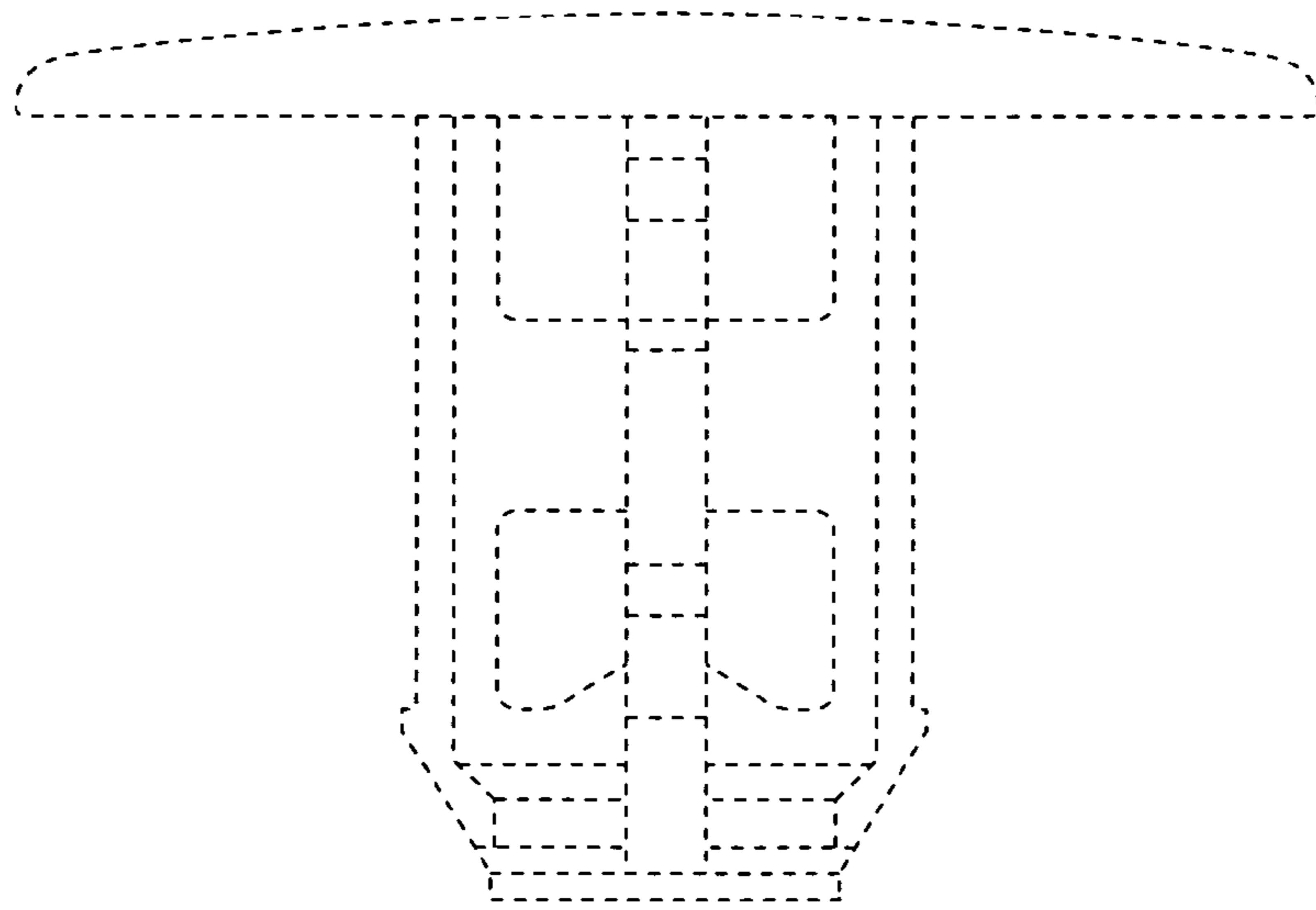
*FIG. 12*



*FIG. 13*



*FIG. 14*



**FIG. 15**