



US00D665244S

(12) **United States Design Patent**  
**Weinerman et al.**

(10) **Patent No.:** **US D665,244 S**

(45) **Date of Patent:** **\*\* Aug. 14, 2012**

(54) **ROTARY LATCH**

(75) Inventors: **Lee S. Weinerman**, Medina, OH (US);  
**Grant A. Lugas**, Elyria, OH (US);  
**Clifford E. Lambarth**, Portage, MI  
(US)

(73) Assignee: **The Eastern Company**, Cleveland, OH  
(US)

(\*\*) Term: **14 Years**

(21) Appl. No.: **29/401,585**

(22) Filed: **Sep. 13, 2011**

(51) **LOC (9) Cl.** ..... **08-07**

(52) **U.S. Cl.** ..... **D8/331; D8/330**

(58) **Field of Classification Search** ..... D8/330,  
D8/331, 333, 336, 343, 346, 349, 302; 70/14,  
70/20, 2, 51-56, 57, 57.1, 141, 142, 224,  
70/237, 266, 431, DIG. 9, DIG. 4, DIG. 26,  
70/DIG. 80, 159, 162, 116, 208, 209, 221;  
292/2, 32, 281, 288, 289, 358, 359, DIG. 5,  
292/48, 198, 240, 217, 210, 216, DIG. 22,  
292/DIG. 37, DIG. 43, 61

See application file for complete search history.

(56) **References Cited**

**U.S. PATENT DOCUMENTS**

4,667,990	A	5/1987	Quantz
5,007,261	A	4/1991	Quantz
5,613,716	A	3/1997	Cafferty
5,901,991	A	5/1999	Hugel et al.
6,279,972	B1	8/2001	Brill et al.
6,601,883	B1	8/2003	Kalsi
6,641,184	B2	11/2003	Erices et al.
6,698,805	B2	3/2004	Erices et al.
6,848,727	B1	2/2005	Cetnar et al.
7,261,335	B2	8/2007	Schupp
7,380,844	B2	6/2008	Berghahn et al.
2004/0094971	A1	5/2004	Warmke et al.
2006/0112746	A1	6/2006	Thompson

2009/0051184 A1 2/2009 Saleem  
2009/0236863 A1 9/2009 Akizuki et al.  
2009/0267359 A1 10/2009 Takayanagi et al.

**FOREIGN PATENT DOCUMENTS**

EP 0589158 A1 3/1994

*Primary Examiner* — Prabhakar Deshmukh

(74) *Attorney, Agent, or Firm* — Christopher L. Parmelee;  
Walker & Jocke

(57) **CLAIM**

The ornamental design for a rotary latch, as shown and described.

**DESCRIPTION**

FIG. 1 is a top, front, right side perspective view showing our new design for a rotary latch.

FIG. 2 is a bottom, front, right side perspective view thereof.

FIG. 3 is a top, back, left side perspective view thereof.

FIG. 4 is a top, back, right side perspective view thereof.

FIG. 5 is a front view thereof.

FIG. 6 is a back view thereof.

FIG. 7 is a top view thereof.

FIG. 8 is a bottom view thereof.

FIG. 9 is a left side view thereof.

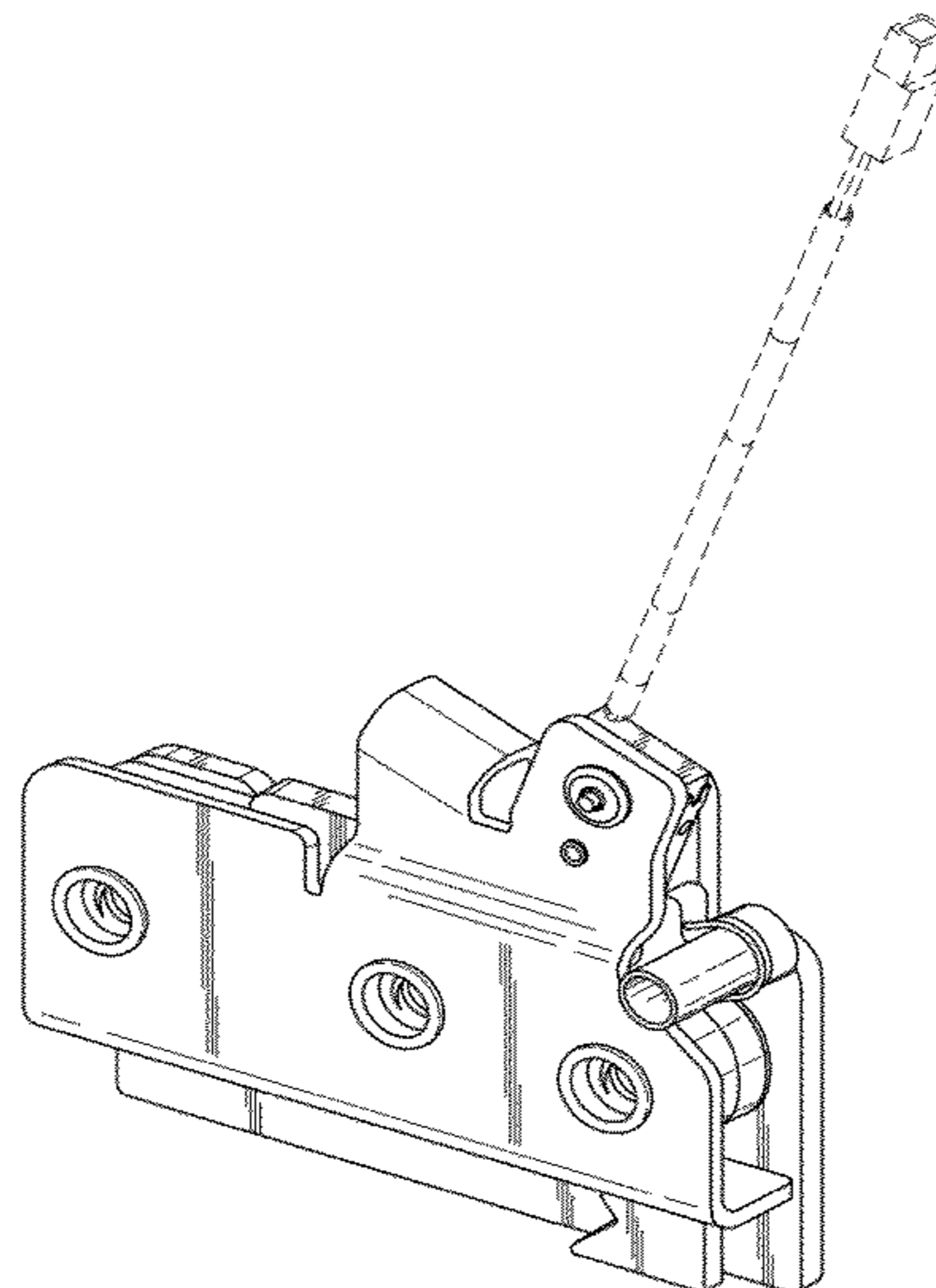
FIG. 10 is a right side view thereof.

FIG. 11 is a front view of a second embodiment thereof that corresponds to a mirror image of FIG. 5; and,

FIG. 12 is a back view thereof that corresponds to a mirror image of FIG. 6, wherein the top view thereof corresponds to a mirror image of FIG. 7, wherein the bottom view thereof corresponds to a mirror image of FIG. 8, wherein the right side view thereof corresponds to a mirror image of FIG. 9, wherein the left side view thereof corresponds to a mirror image of FIG. 10.

The broken lines adjacent the shaded areas represent the boundaries of the claimed design, while the other broken lines depict environmental subject matter only, and form no part of the claimed design.

**1 Claim, 12 Drawing Sheets**



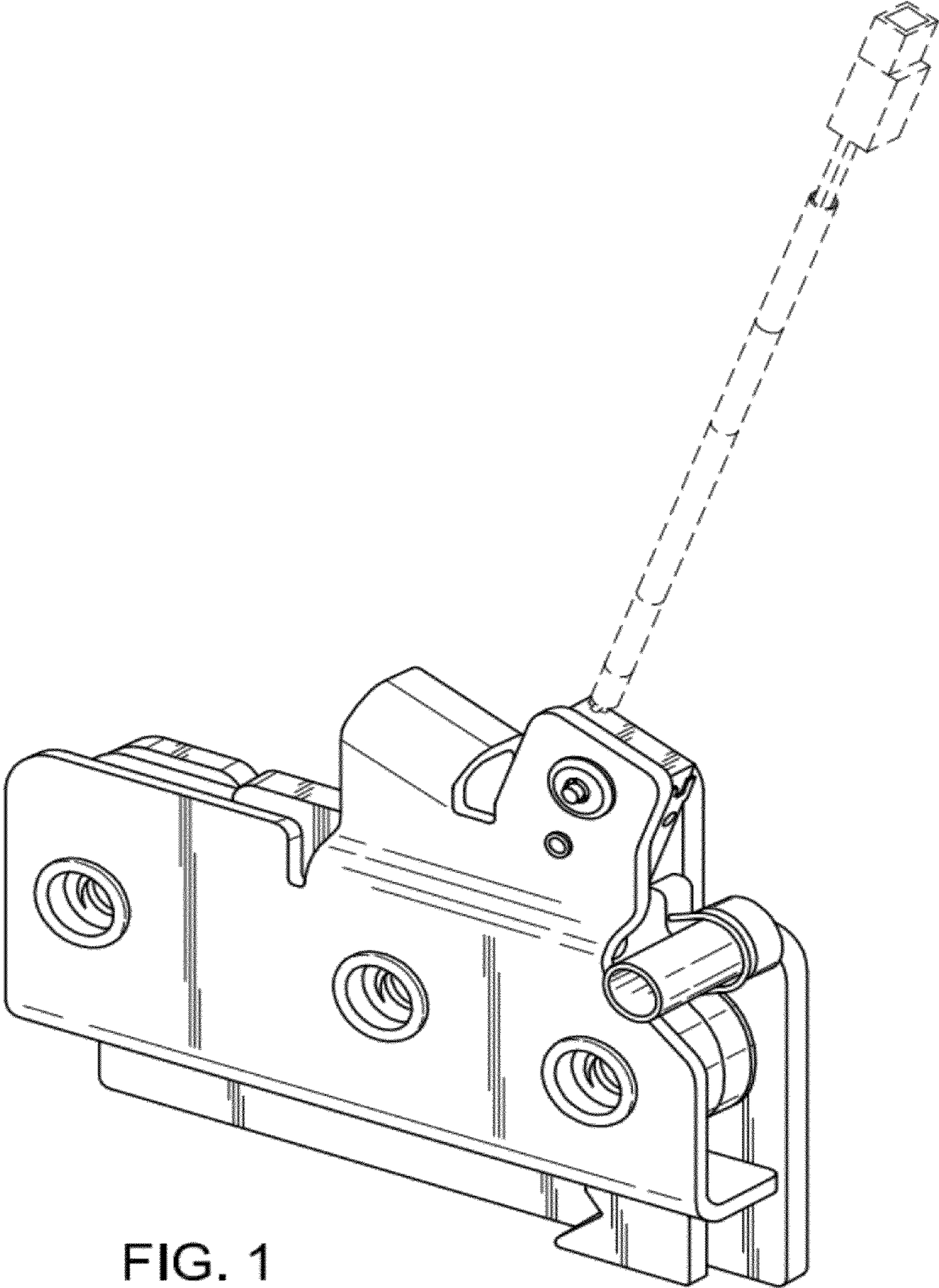


FIG. 1



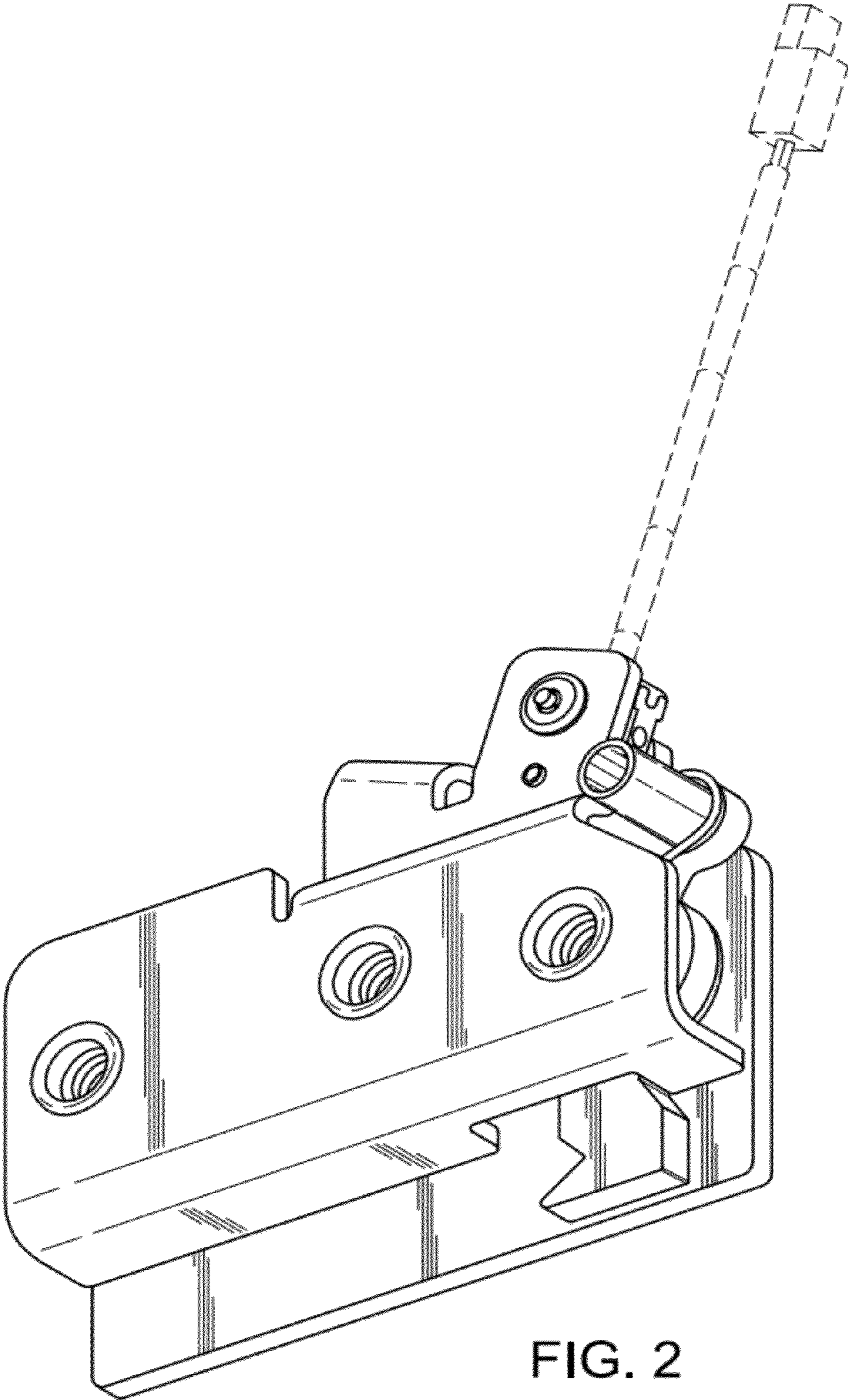


FIG. 2

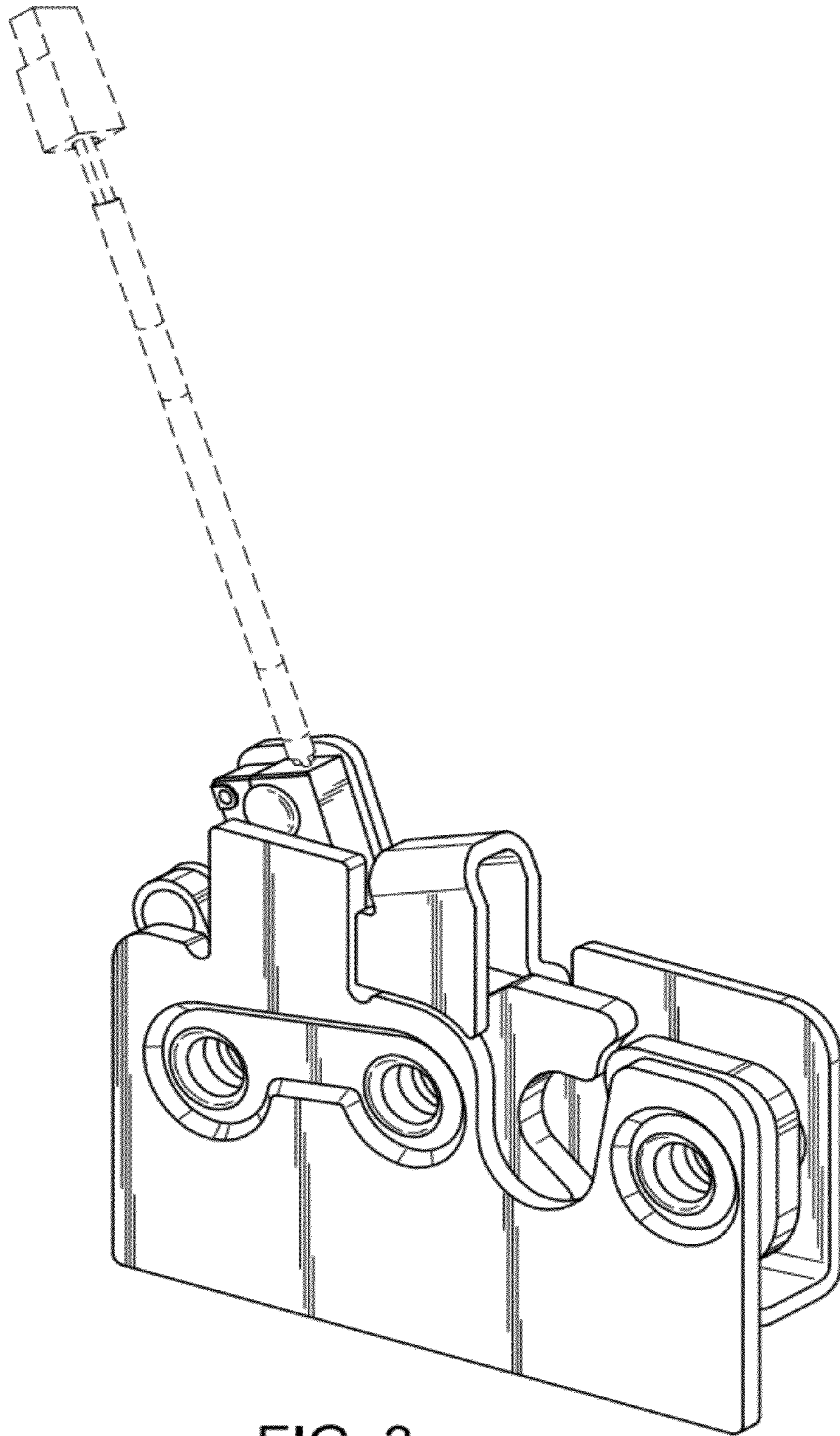


FIG. 3



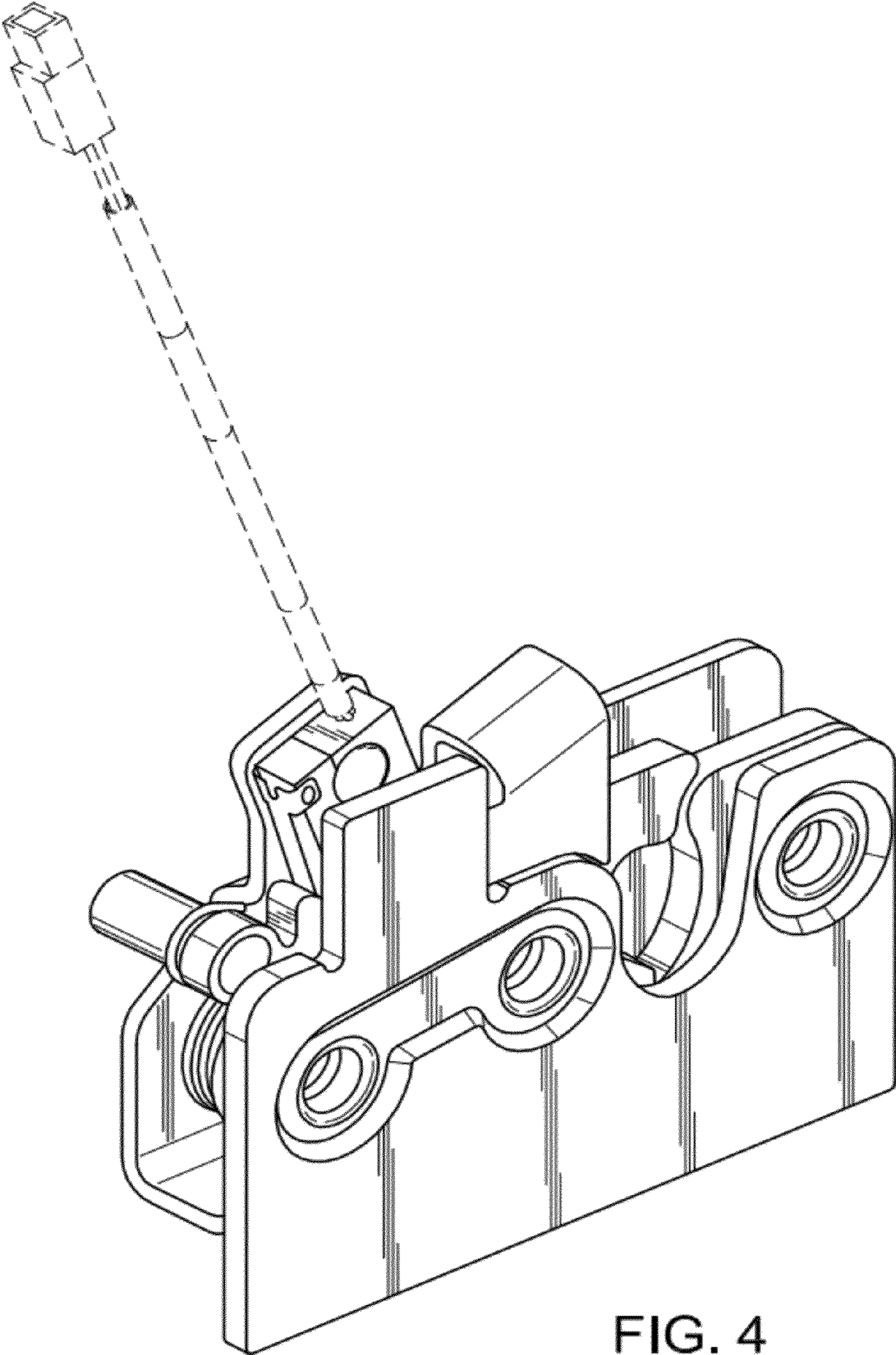


FIG. 4

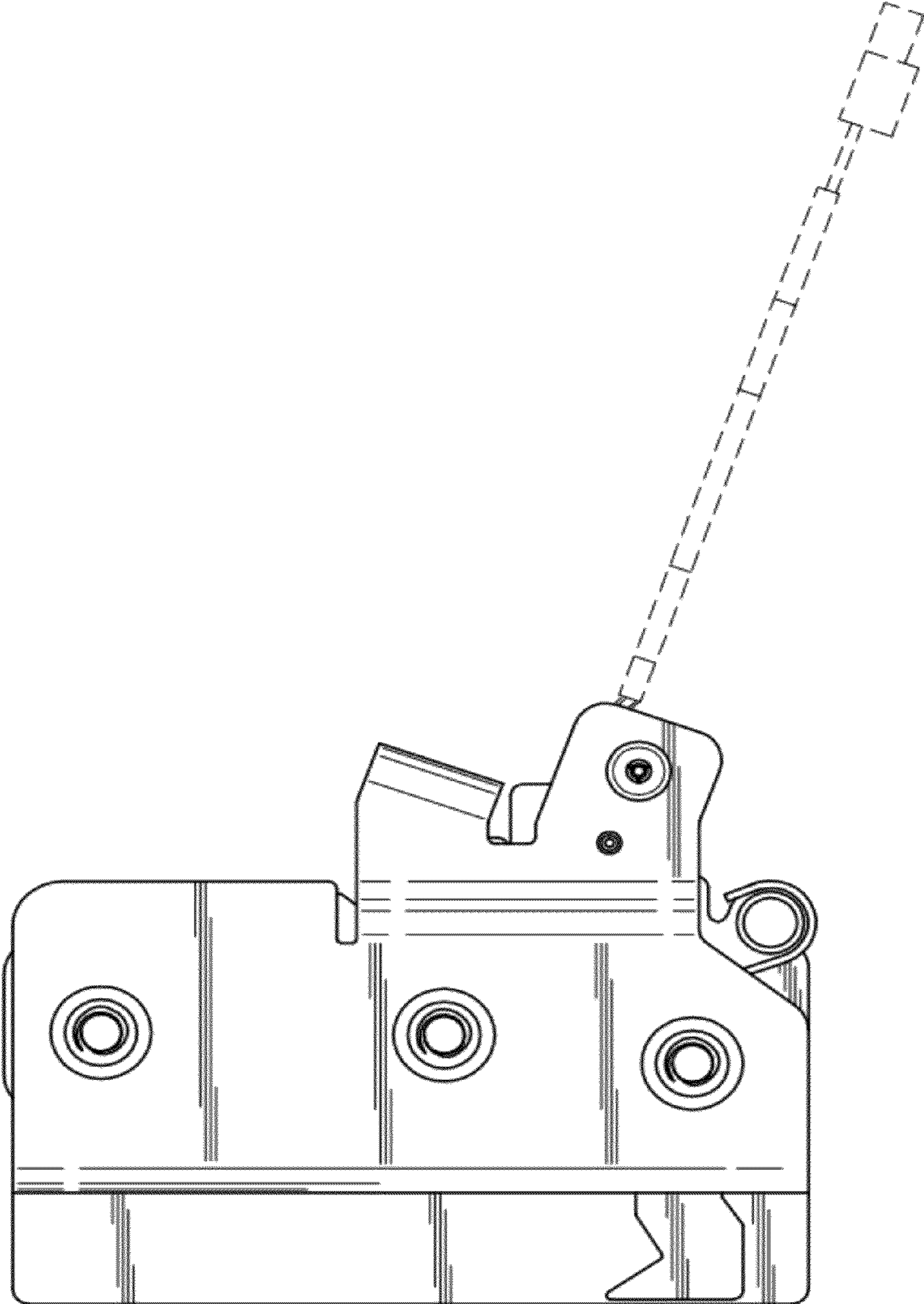


FIG. 5



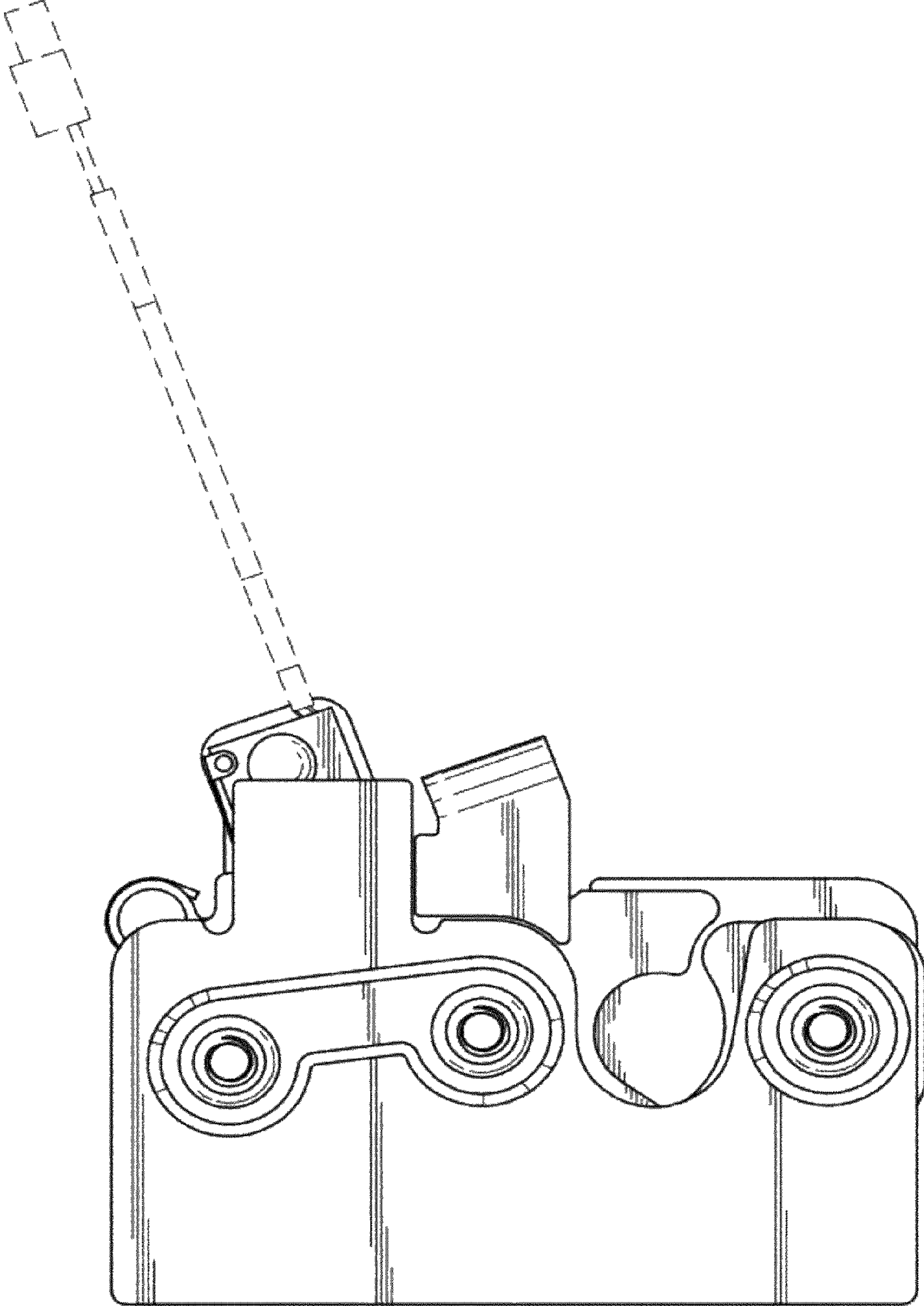


FIG. 6

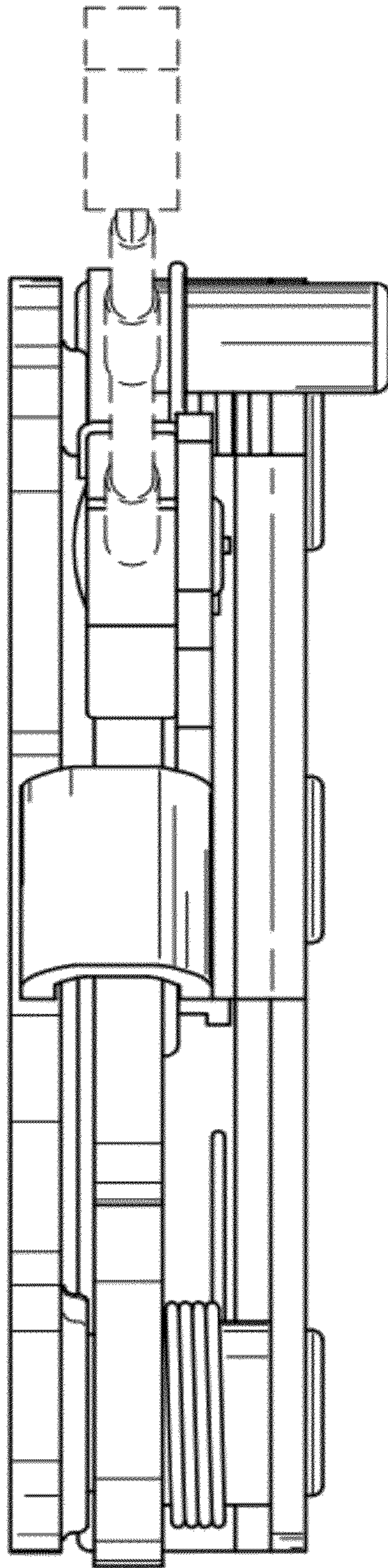


FIG. 7



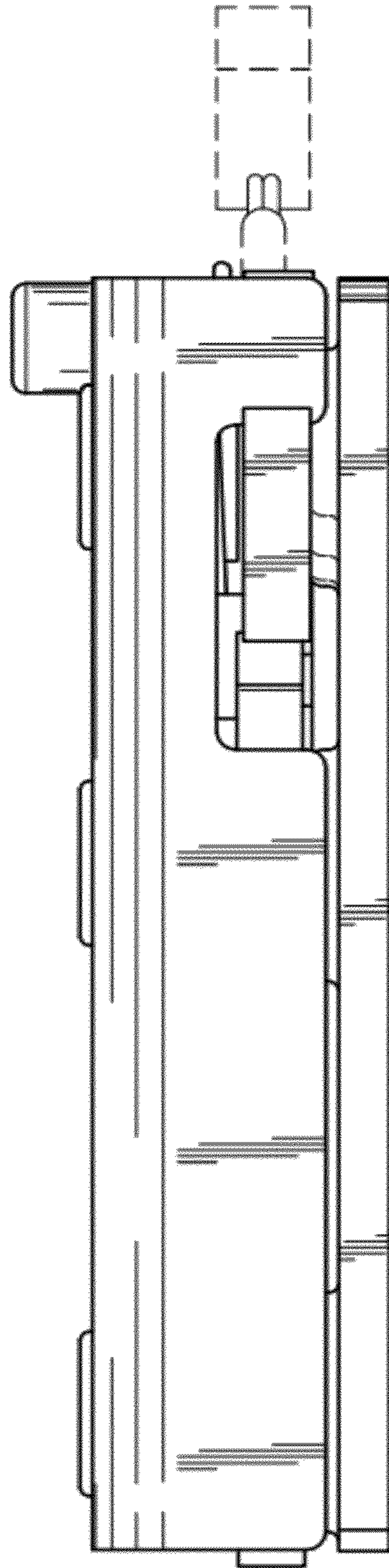


FIG. 8

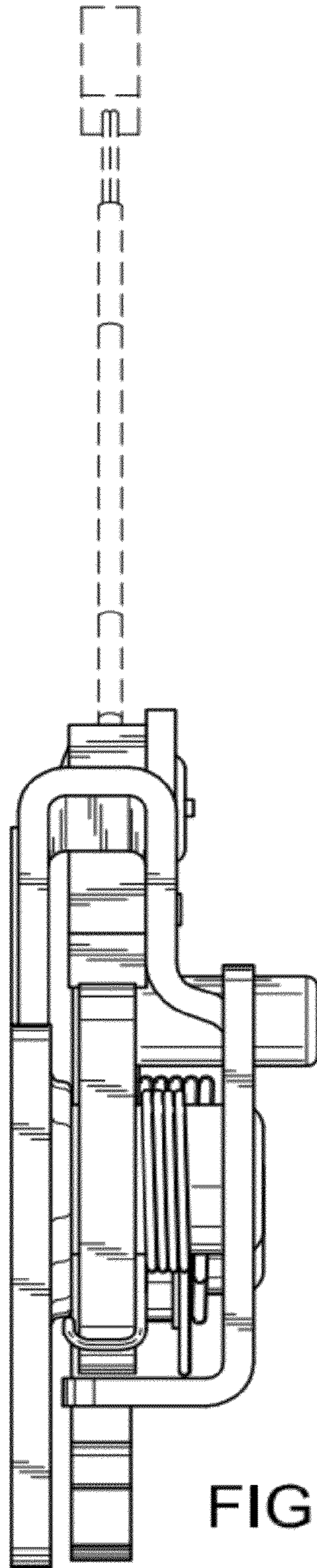


FIG. 9



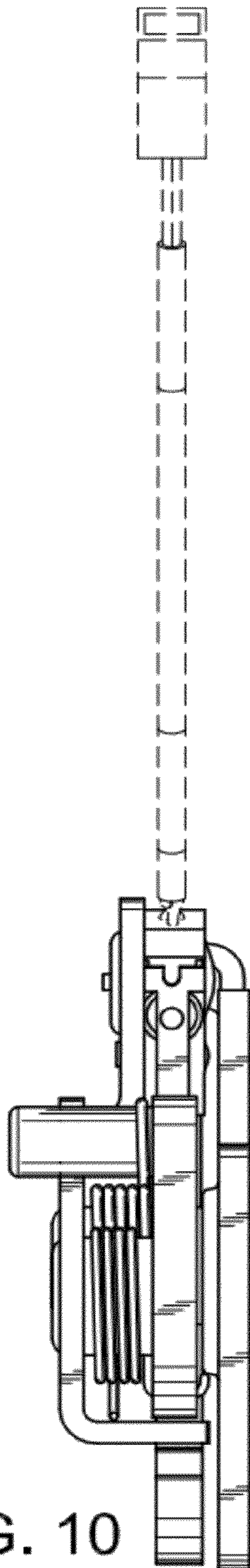


FIG. 10

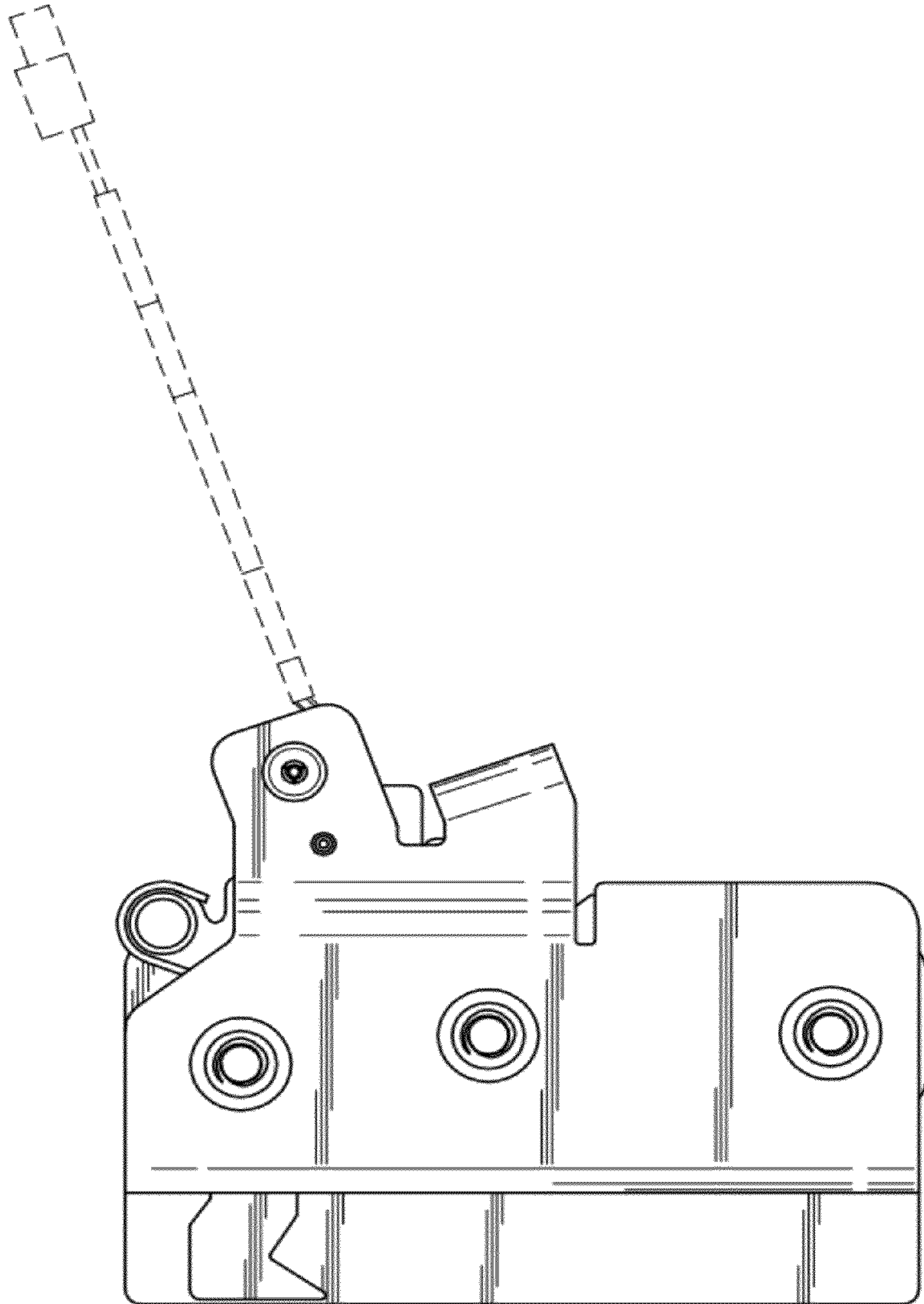


FIG. 11



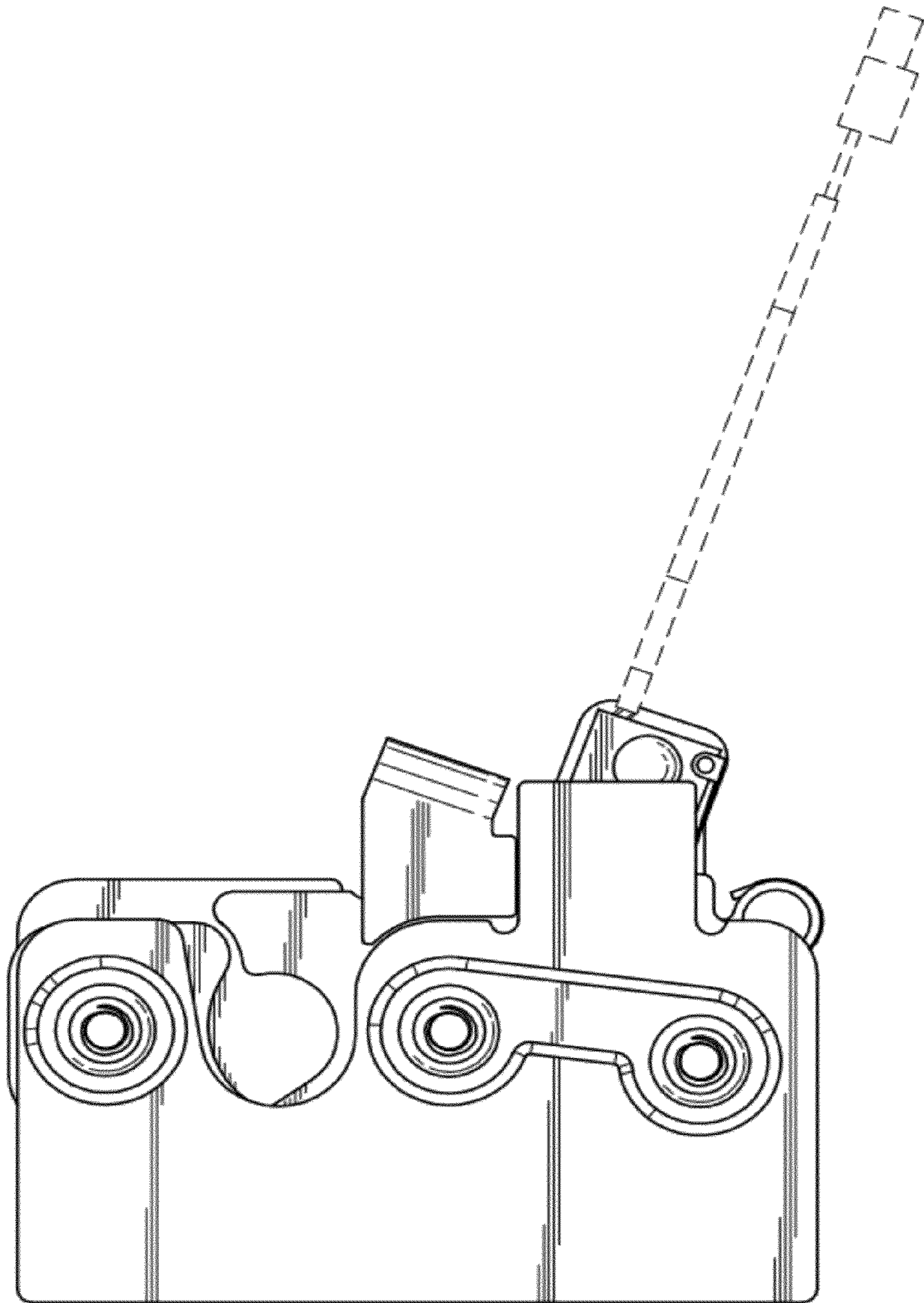


FIG. 12