



US00D665242S

(12) **United States Design Patent**
Wackwitz

(10) **Patent No.:** **US D665,242 S**

(45) **Date of Patent:** **** Aug. 14, 2012**

(54) **ACCESSORY INTERFACE FOR A TOOL**

(75) Inventor: **Jeffrey M. Wackwitz**, Pewaukee, WI
(US)

(73) Assignee: **Milwaukee Electric Tool Corporation**,
Brookfield, WI (US)

(**) Term: **14 Years**

(21) Appl. No.: **29/403,804**

(22) Filed: **Oct. 11, 2011**

Related U.S. Application Data

(63) Continuation of application No. 29/375,914, filed on
Sep. 29, 2010, now Pat. No. Des. 646,542.

(51) **LOC (9) Cl.** **08-05**

(52) **U.S. Cl.** **D8/70; D15/140**

(58) **Field of Classification Search** D8/70;
D15/140; 30/166.3, 169, 272.1, 277.4, 294,
30/339, 347, 389, 392; 83/665, 666, 676,
83/835, 886; 125/15, 25, 13.01; 403/3, 316,
403/359.3, 163; 451/8, 28, 57, 163, 294,
451/342, 344, 349, 353, 356, 357, 359, 360,
451/41, 490, 494, 508, 509, 510, 511, 548,
451/559

See application file for complete search history.

(56) **References Cited**

U.S. PATENT DOCUMENTS

81,661 A	9/1868	McDonald
197,650 A	11/1877	Milligan
223,103 A	12/1879	Berstler
241,178 A	5/1881	Amazeen
390,134 A	9/1888	Miller
519,892 A	5/1894	Newton
742,000 A	10/1903	Brooks
1,947,662 A	2/1934	Robinson

2,132,917 A 10/1938 Albertson
2,550,768 A 5/1951 Burleigh
2,649,868 A 8/1953 Gommel
2,822,648 A 2/1958 Metzger et al.
(Continued)

FOREIGN PATENT DOCUMENTS

DE 10061559 A1 6/2002
(Continued)

OTHER PUBLICATIONS

Milwaukee Electric Tool Corporation, Bosch tool, photo, 2010.

(Continued)

Primary Examiner — Antoine D Davis

(74) *Attorney, Agent, or Firm* — Michael Best Friedrich LLP

(57) **CLAIM**

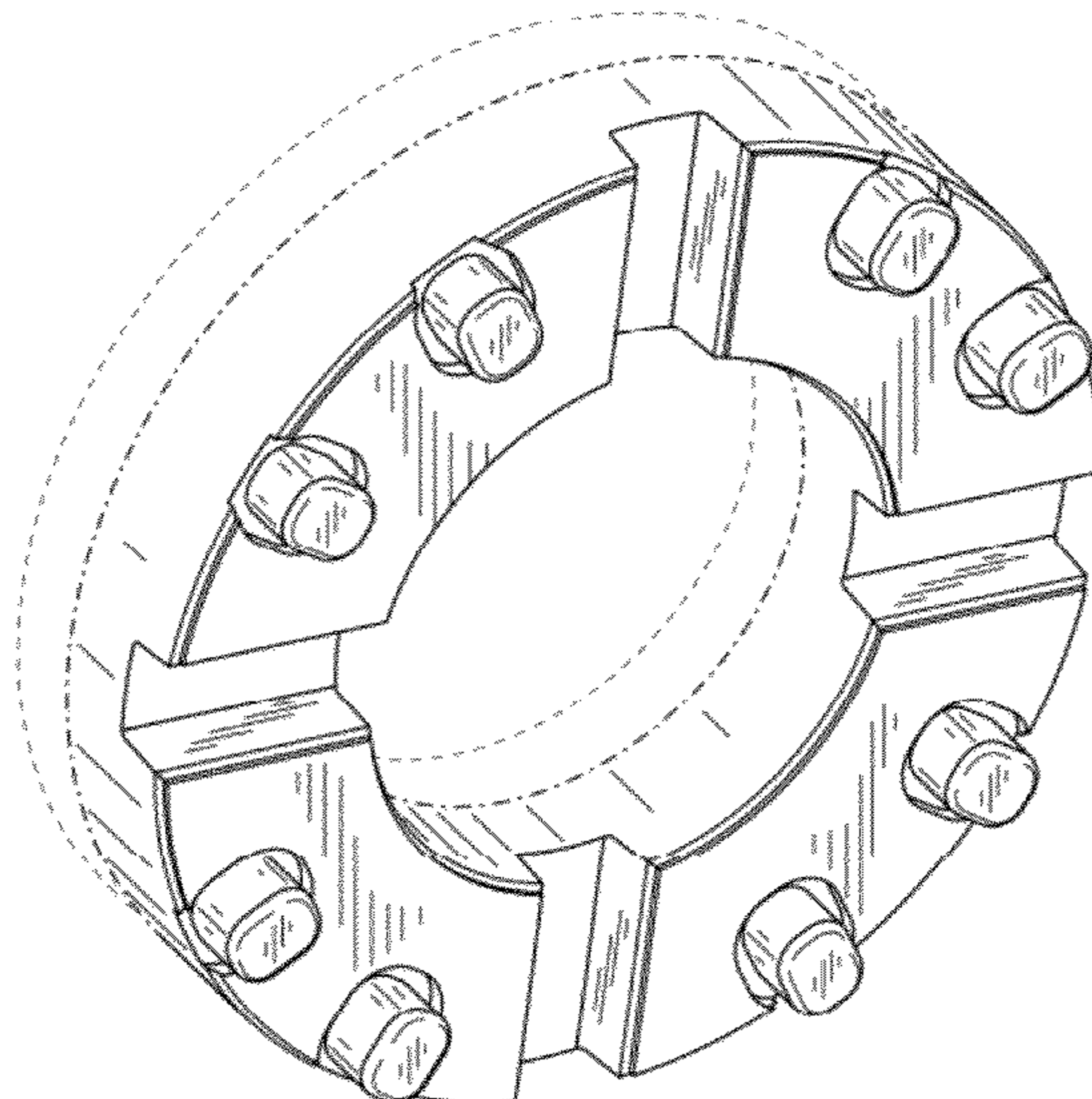
I claim the ornamental design for an accessory interface for a
tool, as shown and described.

DESCRIPTION

FIG. 1 is a perspective view of an accessory interface.
FIG. 2 is a front view of the accessory interface shown in FIG.
1.
FIG. 3 is a top view of the accessory interface shown in FIG.
1.
FIG. 4 is a bottom view of the accessory interface shown in
FIG. 1.
FIG. 5 is a left side view of the accessory interface shown in
FIG. 1; and,
FIG. 6 is a right side view of the accessory interface shown in
FIG. 1.

The broken line showing of the environment is for illustrative
purposes only and forms no part of the claimed design. The
broken lines having unequal length segments define the
boundaries of the claimed design and form no part thereof.

1 Claim, 3 Drawing Sheets



US D665,242 S

U.S. PATENT DOCUMENTS							
2,846,826	A	8/1958	Miller	6,159,084	A	12/2000	Tiede
2,854,042	A	9/1958	Robinson	6,257,969	B1	7/2001	Bosten et al.
2,912,021	A	11/1959	Gommel	6,277,012	B1	8/2001	Halliley
2,997,819	A	8/1961	Schacht	6,293,859	B1	9/2001	Fink et al.
3,041,797	A	7/1962	Moffly	6,299,078	B1	10/2001	Fugere
3,308,703	A	3/1967	Sauer	6,306,024	B1	10/2001	Kai et al.
3,440,915	A	4/1969	Weyant	6,332,836	B1	12/2001	Tseng
3,623,281	A	11/1971	Moffat	6,340,022	B1	1/2002	Schroer
3,667,169	A	6/1972	MacKay, Jr.	6,349,446	B1	2/2002	Krause et al.
3,908,499	A	9/1975	Reed	6,361,424	B1	3/2002	Manor et al.
3,943,934	A	3/1976	Bent	6,371,837	B1	4/2002	Luedeke
4,015,371	A	4/1977	Grayston	6,379,236	B1	4/2002	Takizawa et al.
4,343,214	A	8/1982	Schadlich	6,401,342	B1	6/2002	Kloss et al.
4,393,626	A	7/1983	Schroer	D466,597	S	12/2002	Carr
4,432,264	A	2/1984	Scott	D467,845	S	12/2002	Pfeiffer et al.
4,436,006	A	3/1984	Nakamura et al.	6,503,253	B1	1/2003	Fletcher et al.
4,436,009	A	3/1984	Ask	6,520,055	B1	2/2003	Reusch et al.
4,461,195	A	7/1984	Barnick	6,523,214	B1	2/2003	Kaiser
D276,310	S	11/1984	Frieberg	6,533,650	B2	3/2003	Yoshida et al.
4,497,141	A	2/1985	Jarby	6,569,001	B2	5/2003	Rudolf et al.
4,637,170	A	1/1987	Block	6,629,484	B2	10/2003	Soyama et al.
4,657,428	A	4/1987	Wiley	6,640,377	B2	11/2003	Krause et al.
4,683,683	A	8/1987	Block	D486,839	S *	2/2004	Sunagawa et al. D15/126
4,700,478	A	10/1987	Mezger et al.	6,699,112	B2	3/2004	Bergner et al.
4,706,386	A	11/1987	Wiley	6,723,101	B2	4/2004	Fletcher et al.
4,730,952	A	3/1988	Wiley	6,749,493	B2	6/2004	Wuensch
4,787,147	A	11/1988	Wiley	D493,683	S	8/2004	Hortenbury et al.
4,852,261	A	8/1989	Wittek	6,780,093	B2	8/2004	Krondorfer et al.
4,905,420	A	3/1990	Flachenecker et al.	6,786,811	B2	9/2004	Krondorfer et al.
D308,011	S	5/1990	Norris	6,796,888	B2	9/2004	Jasch
4,989,320	A	2/1991	Borkott et al.	6,802,127	B2	10/2004	Thomaschewski
D315,667	S	3/1991	Johnson	6,802,764	B2	10/2004	Besch
5,038,478	A	8/1991	Mezger et al.	6,814,655	B2	11/2004	Hofmann et al.
D327,111	S	6/1992	Hemming	6,814,657	B2	11/2004	Spangenberg et al.
5,263,283	A	11/1993	Rudolf et al.	6,827,074	B2	12/2004	Gardner
5,265,340	A	11/1993	Nitz et al.	6,860,792	B2	3/2005	Krondorfer et al.
5,292,352	A	3/1994	Rudolf et al.	6,869,346	B2	3/2005	Wendt et al.
5,303,688	A	4/1994	Chiuminatta et al.	6,902,471	B2	6/2005	Krondorfer et al.
5,309,805	A	5/1994	Mezger et al.	6,942,558	B2	9/2005	Wuensch
5,319,886	A	6/1994	Steere, Jr.	6,942,560	B2	9/2005	Hofmann et al.
5,366,312	A	11/1994	Raines	6,945,862	B2	9/2005	Jasch et al.
5,373,834	A	12/1994	Chiuminatta et al.	7,000,606	B2	2/2006	Gardner
5,382,249	A	1/1995	Fletcher	7,077,734	B2	7/2006	Tiede et al.
D362,065	S	9/1995	Goris	7,077,735	B2	7/2006	Krondorfer et al.
5,468,247	A	11/1995	Matthai et al.	7,097,548	B2	8/2006	Krondorfer et al.
5,477,845	A	12/1995	Zuzelo	D528,407	S	9/2006	Schwab
5,482,499	A	1/1996	Satoh	7,108,077	B2	9/2006	Zaiser
5,491,896	A	2/1996	Stolzer et al.	7,115,027	B2	10/2006	Thomaschewski
5,496,316	A	3/1996	Goris	7,115,028	B1	10/2006	Chen
5,554,066	A	9/1996	Bosten et al.	7,137,329	B1	11/2006	Moser
5,555,788	A	9/1996	Gakhar et al.	7,143,760	B2	12/2006	Gardner
5,597,347	A	1/1997	Bosten et al.	7,169,025	B2	1/2007	Schumacher
5,601,483	A	2/1997	Rudolf et al.	7,201,644	B2	4/2007	Gardner
5,626,510	A	5/1997	Bergner et al.	7,207,873	B2	4/2007	Hesse et al.
5,637,034	A	6/1997	Everts et al.	7,217,177	B2	5/2007	Frech et al.
5,681,213	A	10/1997	Hashii	7,273,412	B1	9/2007	Sun et al.
5,694,693	A	12/1997	Hutchins et al.	7,313,838	B2	1/2008	Long et al.
5,702,415	A	12/1997	Matthai et al.	D563,186	S *	3/2008	Ahn D8/70
5,709,595	A	1/1998	Bergner et al.	7,402,095	B2	7/2008	Gardner
5,729,904	A	3/1998	Trott	7,438,629	B2	10/2008	Bosten et al.
5,743,791	A	4/1998	Bosten et al.	7,506,877	B1	3/2009	Henderson et al.
5,749,770	A	5/1998	Uzumcu et al.	7,510,464	B2	3/2009	Stierle et al.
5,759,094	A	6/1998	Bosten et al.	7,527,628	B2	5/2009	Fletcher et al.
5,842,278	A	12/1998	Gmeilbauer	7,588,484	B2	9/2009	Momosaki
5,846,244	A	12/1998	Cripe	D609,545	S *	2/2010	Ueno et al. D8/70
5,901,629	A	5/1999	Stroud	D619,152	S	7/2010	Evatt et al.
5,911,620	A	6/1999	Spangenberg et al.	D621,427	S	8/2010	Dow et al.
5,967,886	A	10/1999	Wuensch et al.	D623,034	S *	9/2010	Evatt et al. D8/70
6,004,194	A	12/1999	Hild et al.	D626,977	S	11/2010	Popov
6,022,353	A	2/2000	Fletcher et al.	D626,978	S	11/2010	Huh
6,042,460	A	3/2000	Bosten et al.	D633,769	S *	3/2011	Evatt et al. D8/70
D424,076	S	5/2000	Dibbern et al.	2002/0016143	A1	2/2002	Bosten et al.
6,099,311	A	8/2000	Wagner et al.	2002/0022444	A1	2/2002	Littlefield
6,099,397	A	8/2000	Wurst	2002/0066351	A1	6/2002	Sumida et al.
6,110,028	A	8/2000	Chung	2003/0000716	A1	1/2003	Hofmann et al.
6,129,618	A	10/2000	Frech	2003/0153254	A1	8/2003	Bosten et al.
6,142,858	A	11/2000	Luedeke	2004/0192180	A1	9/2004	Bosten et al.
6,155,916	A	12/2000	Rudolf et al.	2004/0243136	A1	12/2004	Gupta et al.
				2005/0153640	A1	7/2005	Stein et al.

2006/0150428 A1 7/2006 Baculy
 2006/0272468 A1 12/2006 Gupta et al.
 2007/0079489 A1 4/2007 Cirino
 2007/0094877 A1 5/2007 Bohne et al.
 2007/0295156 A1 12/2007 Ziegler et al.
 2008/0003929 A1 1/2008 Degen
 2008/0017007 A1 1/2008 Weber et al.
 2008/0029134 A1 2/2008 Long et al.
 2008/0057846 A1 3/2008 Schumacher
 2008/0160886 A1 7/2008 Palushaj
 2008/0190259 A1 8/2008 Bohne
 2008/0210212 A1 9/2008 Baratta
 2009/0013540 A1 1/2009 Bohne
 2009/0023371 A1 1/2009 Blickle et al.
 2009/0083916 A1 4/2009 Lampka et al.
 2009/0191799 A1 7/2009 Rivard
 2009/0209186 A1 8/2009 Krauss et al.
 2009/0293696 A1 12/2009 Rauscher et al.
 2009/0318065 A1 12/2009 Zaiser et al.
 2010/0009613 A1 1/2010 Frueh et al.
 2010/0052269 A1 3/2010 Zaiser et al.
 2010/0056029 A1 3/2010 Grunikiewicz

FOREIGN PATENT DOCUMENTS

DE 20309329 U1 8/2003
 DE 102004050798 A1 4/2006
 DE 202006013890 U1 11/2006
 DE 102006021969 A1 11/2007
 DE 102007039367 A1 3/2008
 DE 102007018467 A1 10/2008
 DE 102007036786 A1 10/2008
 DE 102007035045 A1 1/2009
 DE 202007018679 U1 1/2009
 DE 102008027671 A1 12/2009

EP 1213107 A1 6/2002
 EP 1302286 A1 4/2003
 EP 1852218 A1 11/2007
 EP 2017036 A1 1/2009
 EP 2143531 A1 1/2010
 EP 2159000 A1 3/2010
 WO 2008128813 A1 10/2008
 WO 2008128862 A1 10/2008

OTHER PUBLICATIONS

Milwaukee Electric Tool Corporation, Bosch tool and accessories, photo, 2010.
 Milwaukee Electric Tool Corporation, Bosch tool and adapter, photo, 2010.
 Milwaukee Electric Tool Corporation, Rockwell tool, photo, 2010.
 Milwaukee Electric Tool Corporation, Rockwell tool and accessories, photo, 2010.
 Milwaukee Electric Tool Corporation, Craftsman tool, photo, 2010.
 Milwaukee Electric Tool Corporation, Craftsman tool and accessories, photo, 2010.
 Milwaukee Electric Tool Corporation, Dremel tool, photo, 2010.
 Milwaukee Electric Tool Corporation, Dremel tool and accessories, photo, 2010.
 Milwaukee Electric Tool Corporation, Fein tool, photo, 2010.
 Milwaukee Electric Tool Corporation, Fein tool and accessories, photo, 2010.
 EP Designs 000535174-0001 and 000535174-0002 for cutting discs, show at <http://oami.europa.eu/RCDOnline/RequestManager>.
 Notice of Allowance from the United States Patent Office for U.S. Appl. No. 29/375,916 dated Sep. 22, 2011 (8 pages).

* cited by examiner

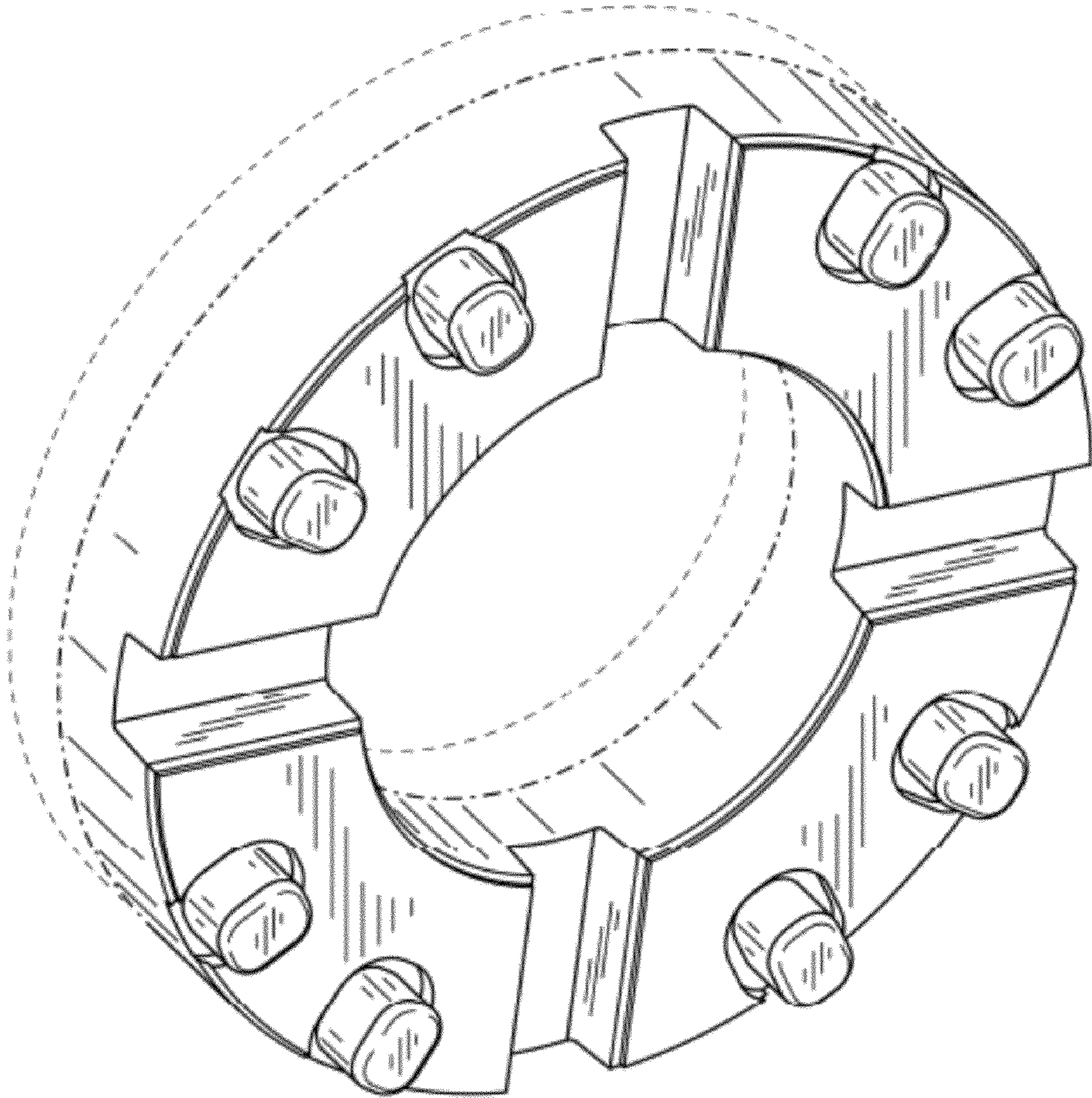


FIG. 1

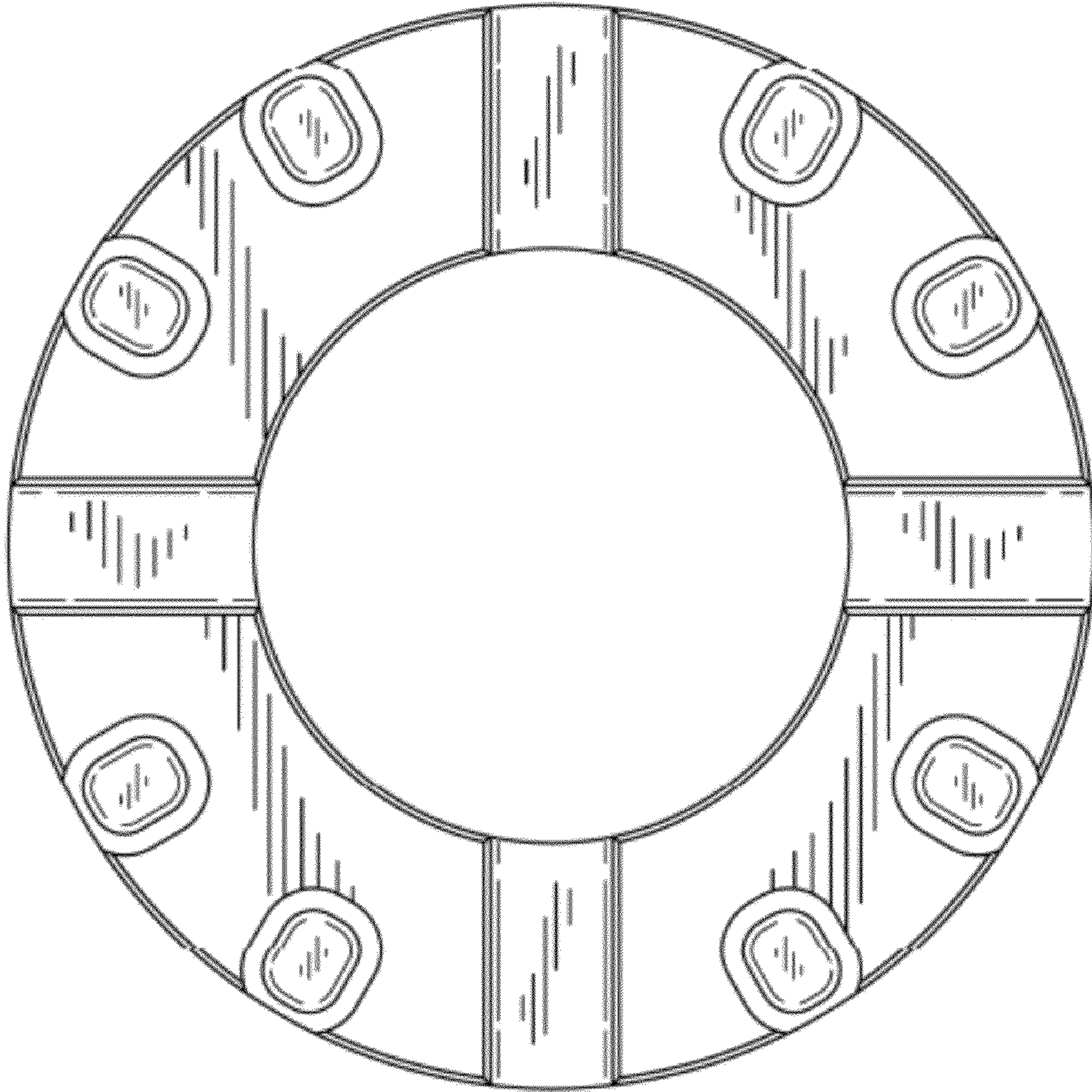


FIG. 2

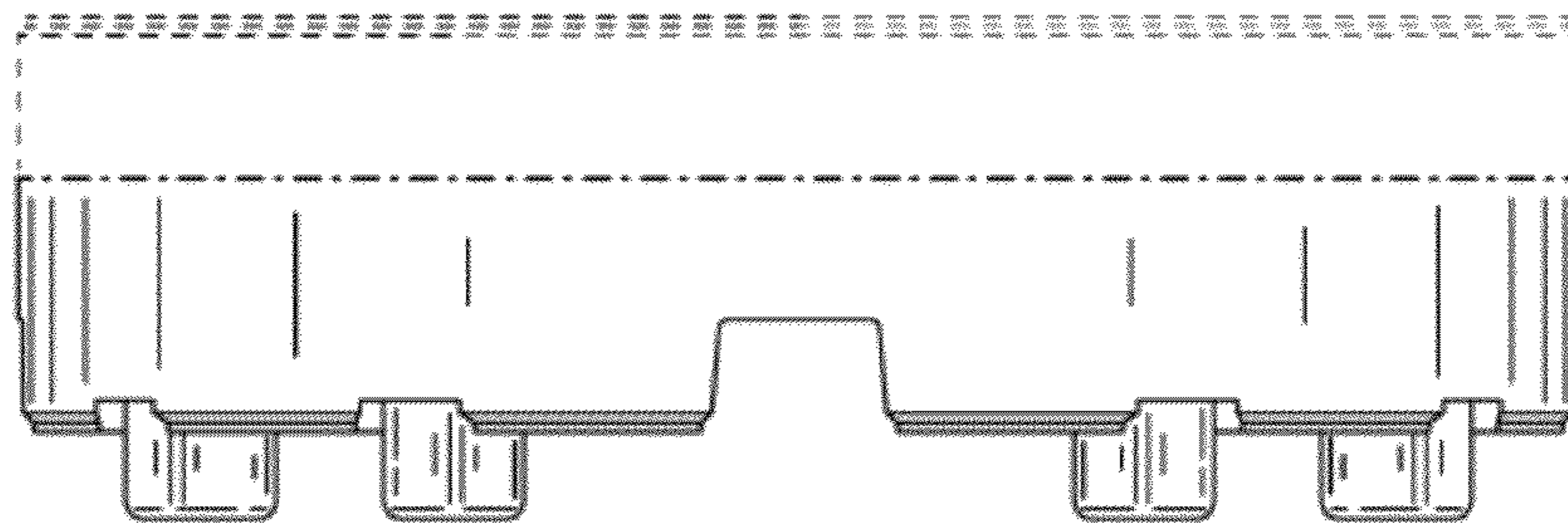


FIG. 3

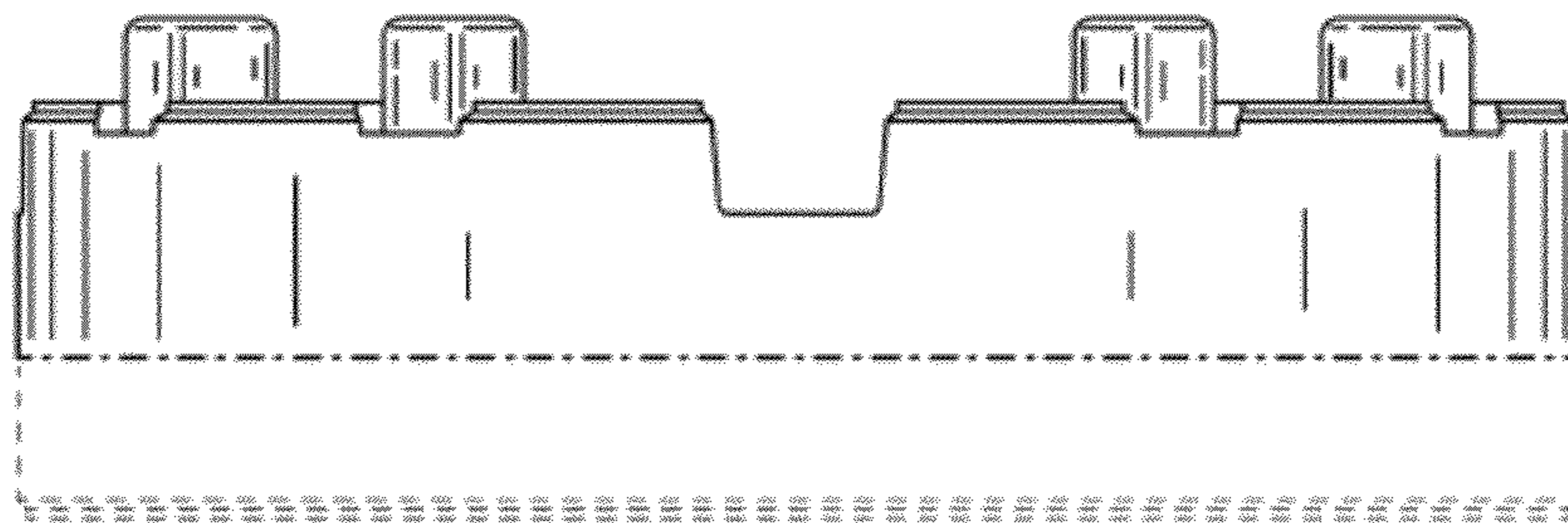


FIG. 4

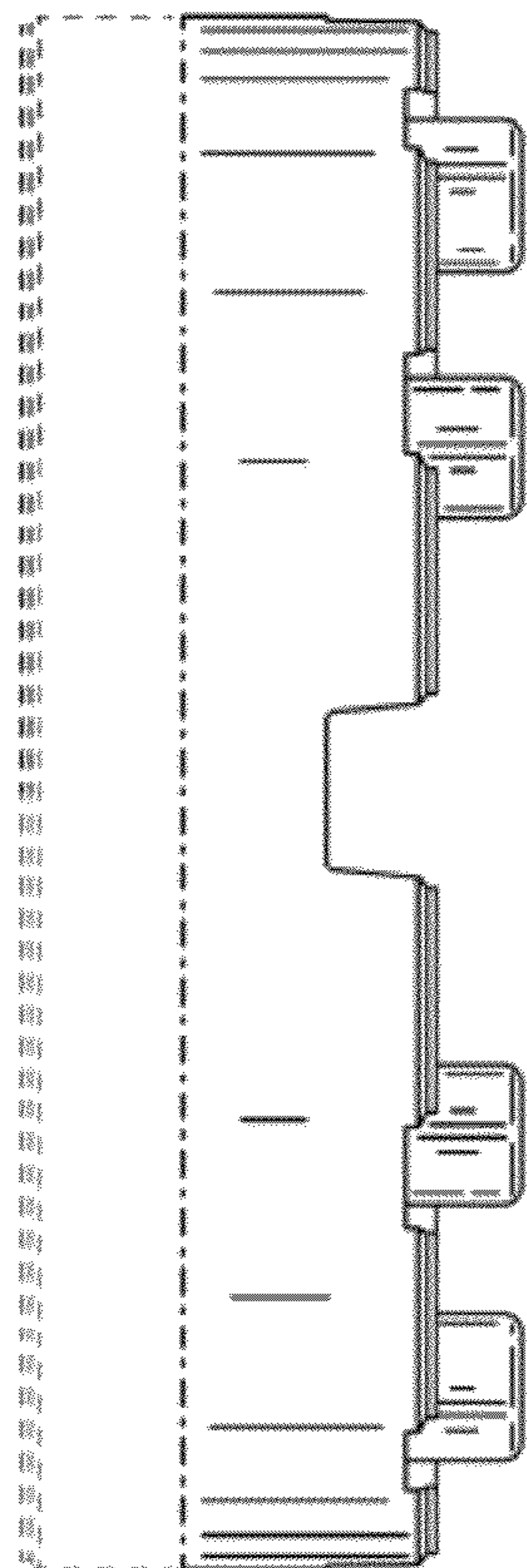


FIG. 5

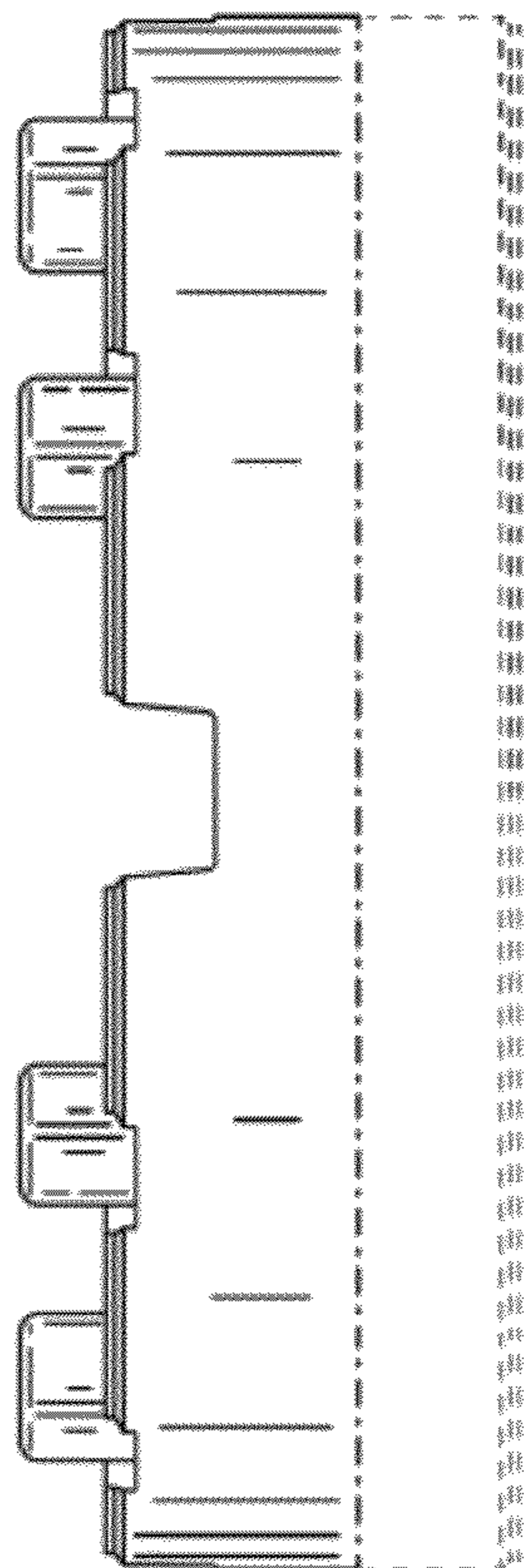


FIG. 6