

US00D665240S

(12) **United States Design Patent**
Corredor Londoño

(10) **Patent No.:** **US D665,240 S**

(45) **Date of Patent:** **** *Aug. 14, 2012**

(54) **BOTTLE OPENER**

(75) Inventor: **Pablo Enrique Corredor Londoño**,
Hialeah, FL (US)

(73) Assignee: **Magic Opener, LLC.**, Coral Gables, FL
(US)

(*) Notice: This patent is subject to a terminal disclaimer.

(**) Term: **14 Years**

(21) Appl. No.: **29/399,399**

(22) Filed: **Aug. 12, 2011**

(51) **LOC (9) Cl.** **07-99**

(52) **U.S. Cl.** **D8/38; D8/18**

(58) **Field of Classification Search** D8/14,
D8/16-19, 33-43, 88, 89, 105; 7/113, 151-156;
30/400-410, 416-430, 433, 434, 443, 450;
81/3.07, 3.09, 3.2, 3.27, 3.29, 3.31, 3.35,
81/3.37, 3.4, 3.45, 3.48, 3.49, 3.55

See application file for complete search history.

(56) **References Cited**

U.S. PATENT DOCUMENTS

D105,338	S	*	7/1937	McNaught	D8/17
D273,555	S	*	4/1984	Tanner	D8/40
D276,787	S	*	12/1984	Burns	D8/18
D277,635	S	*	2/1985	Sherwood	D8/18
D437,538	S	*	2/2001	Corredor et al.	D8/38
D462,000	S	*	8/2002	Hightower	D8/40
D496,570	S	*	9/2004	Wolf	D8/40
D578,364	S	*	10/2008	Corredor-Londono	D8/33
D603,237	S	*	11/2009	Corredor-Londono	D8/38
D603,670	S	*	11/2009	Corredor-Londono	D8/33

* cited by examiner

Primary Examiner — Garth Rademaker

(74) *Attorney, Agent, or Firm* — Albert Bordas, P.A.

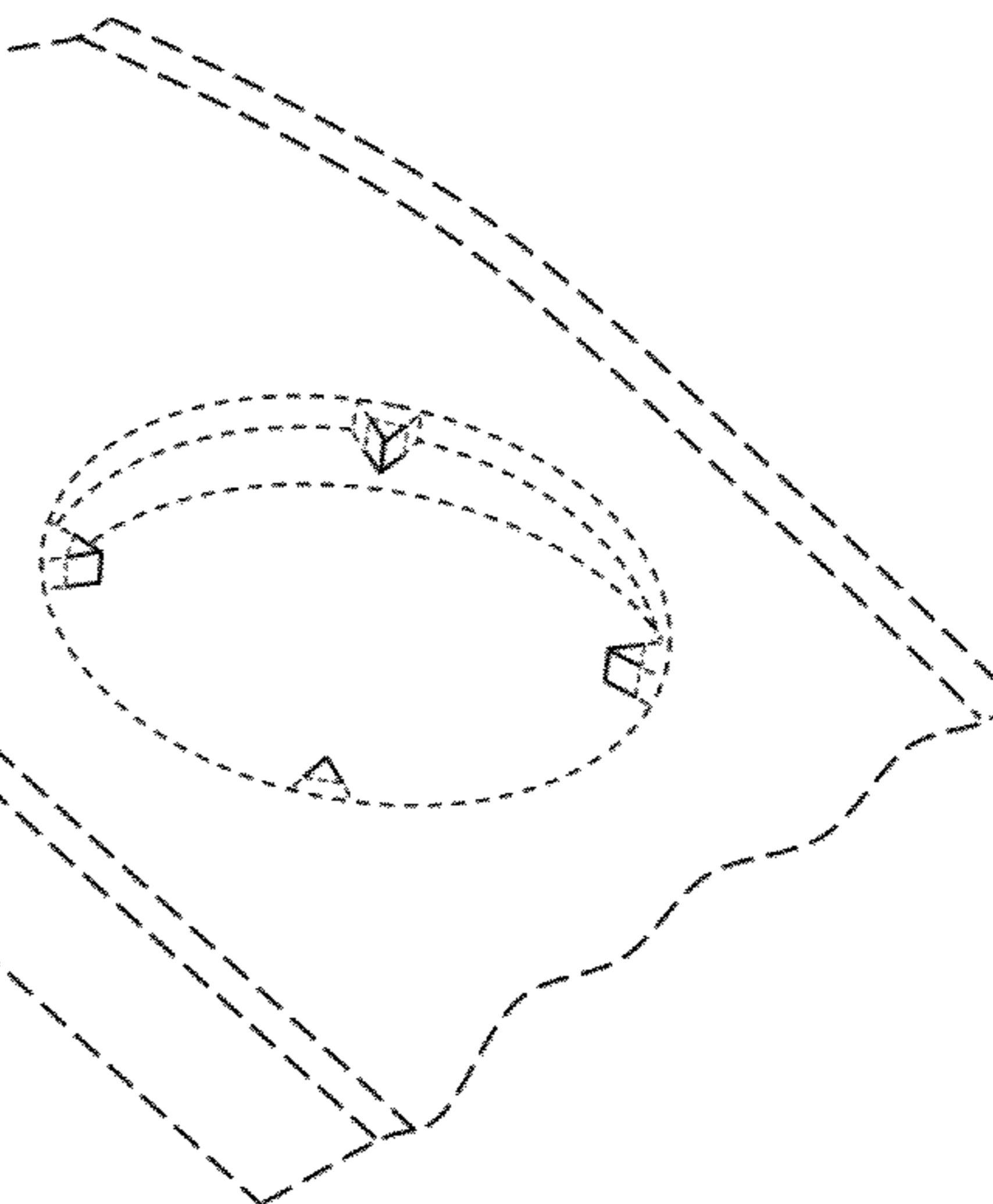
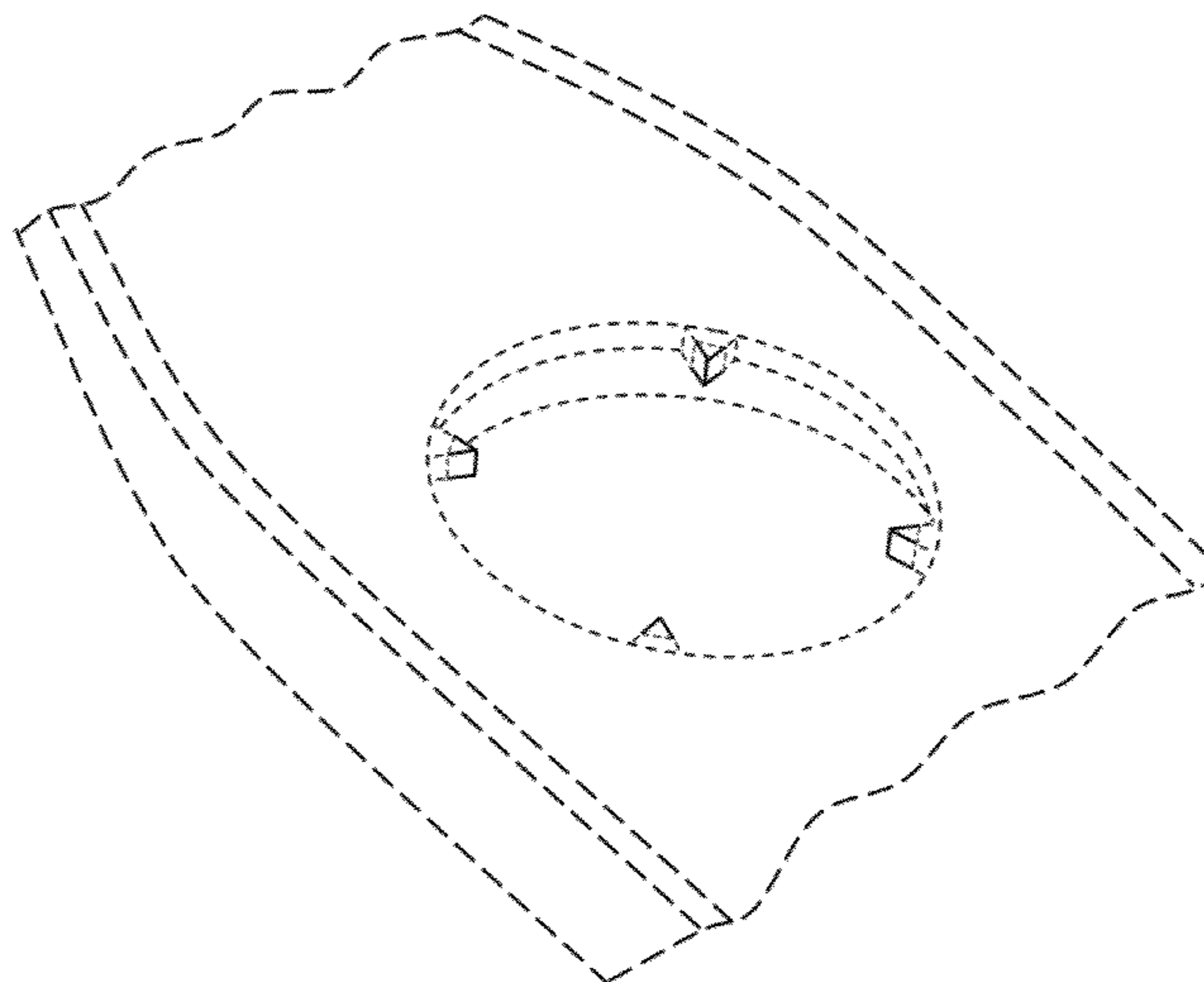
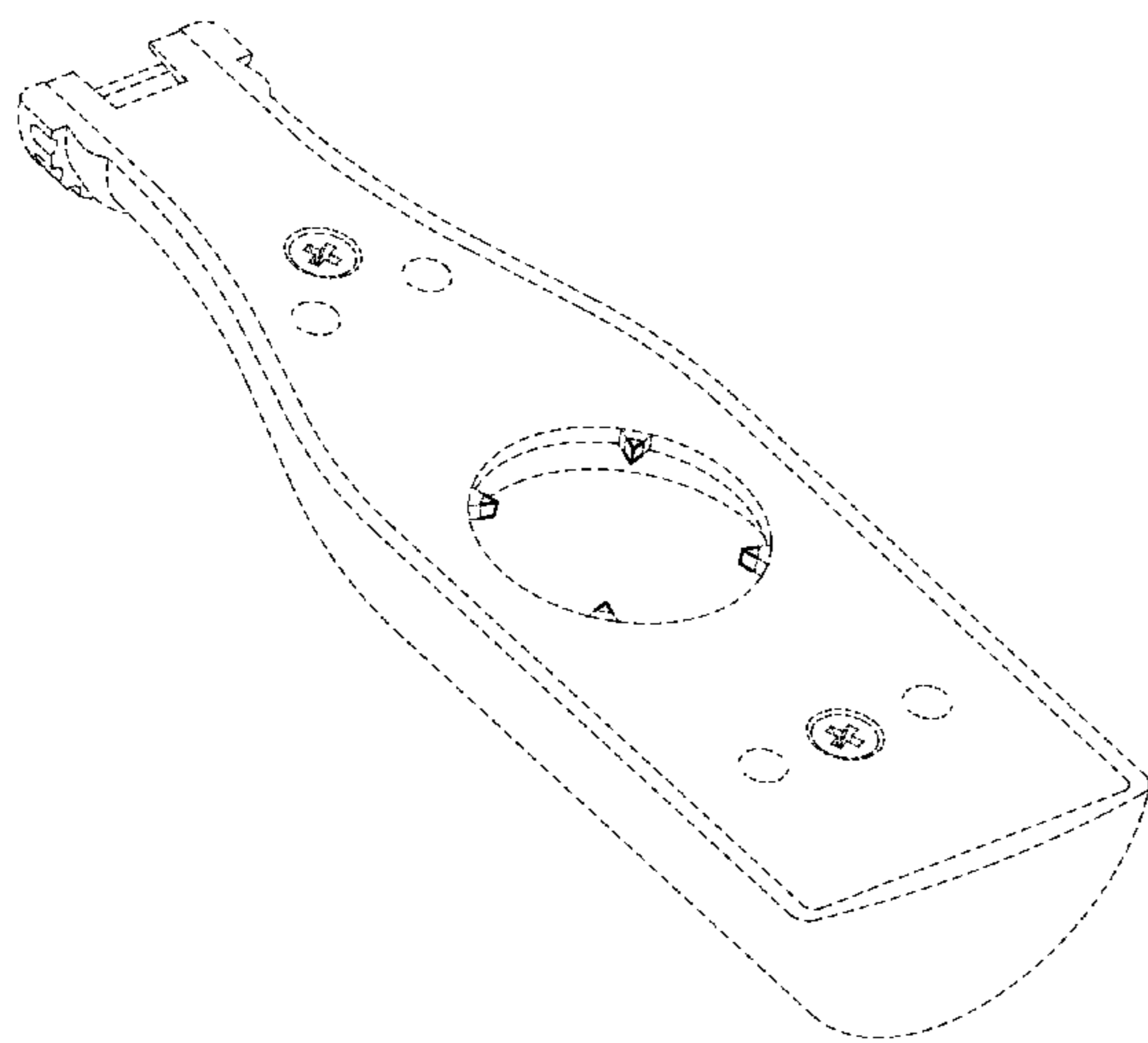
(57) **CLAIM**

The ornamental design for a bottle opener, as shown and described.

DESCRIPTION

FIG. 1 is an isometric view of a bottle opener; FIG. 2 is a front elevational view thereof; and, FIG. 3 is an enlarged isometric view, showing the design. The broken lines are for environmental purposes only and form no part of the claimed design. The claimed bottle opener is used to open bottle screw caps of different geometric shapes and sizes.

1 Claim, 3 Drawing Sheets



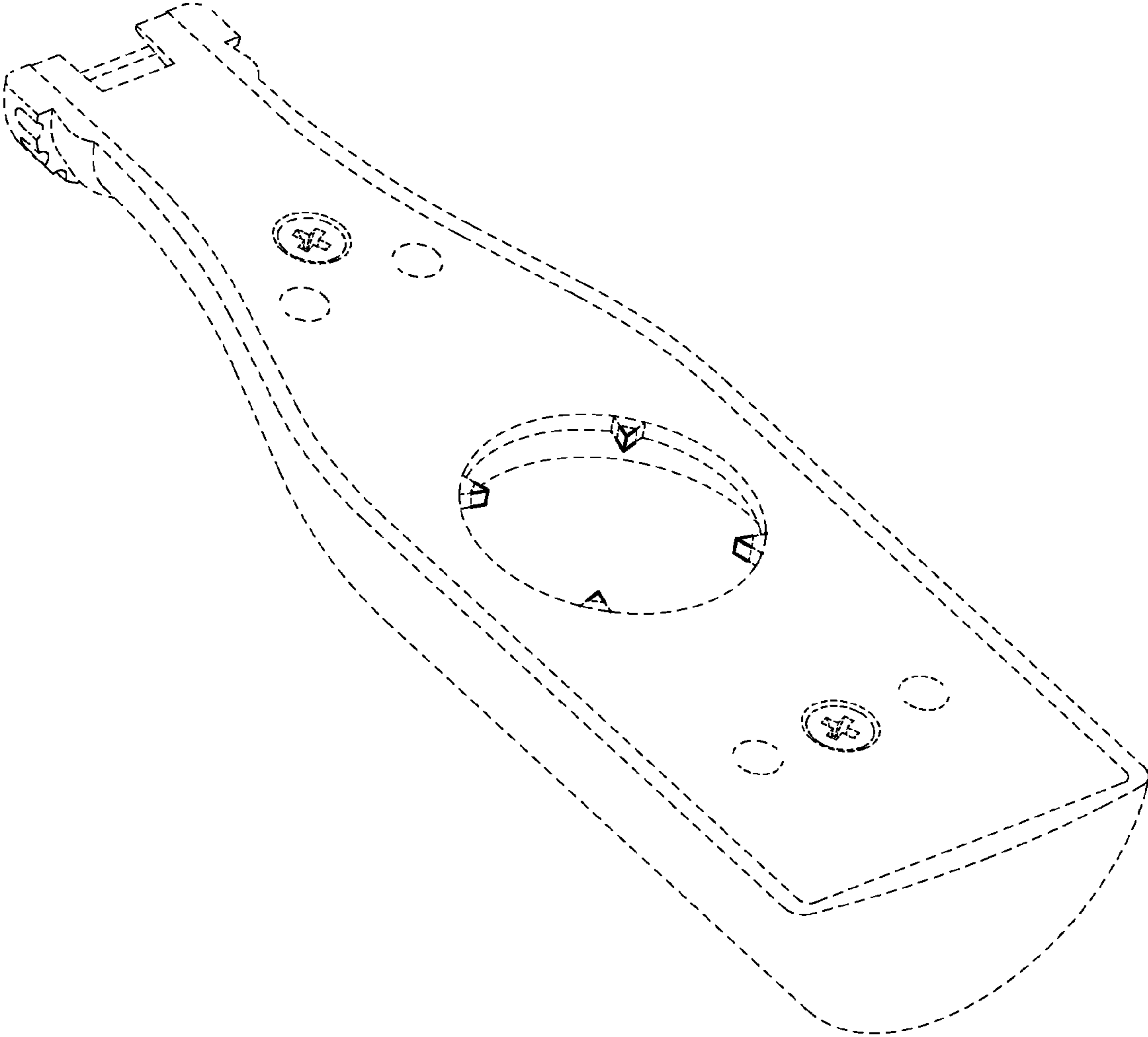


Fig. 1

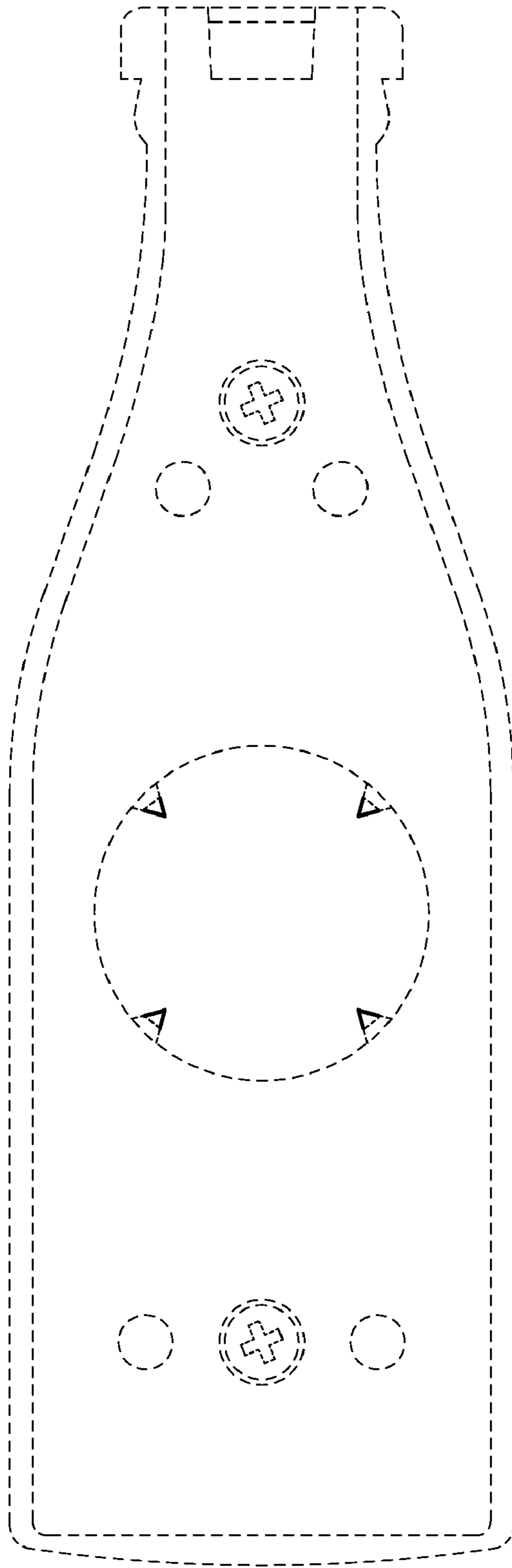


Fig. 2

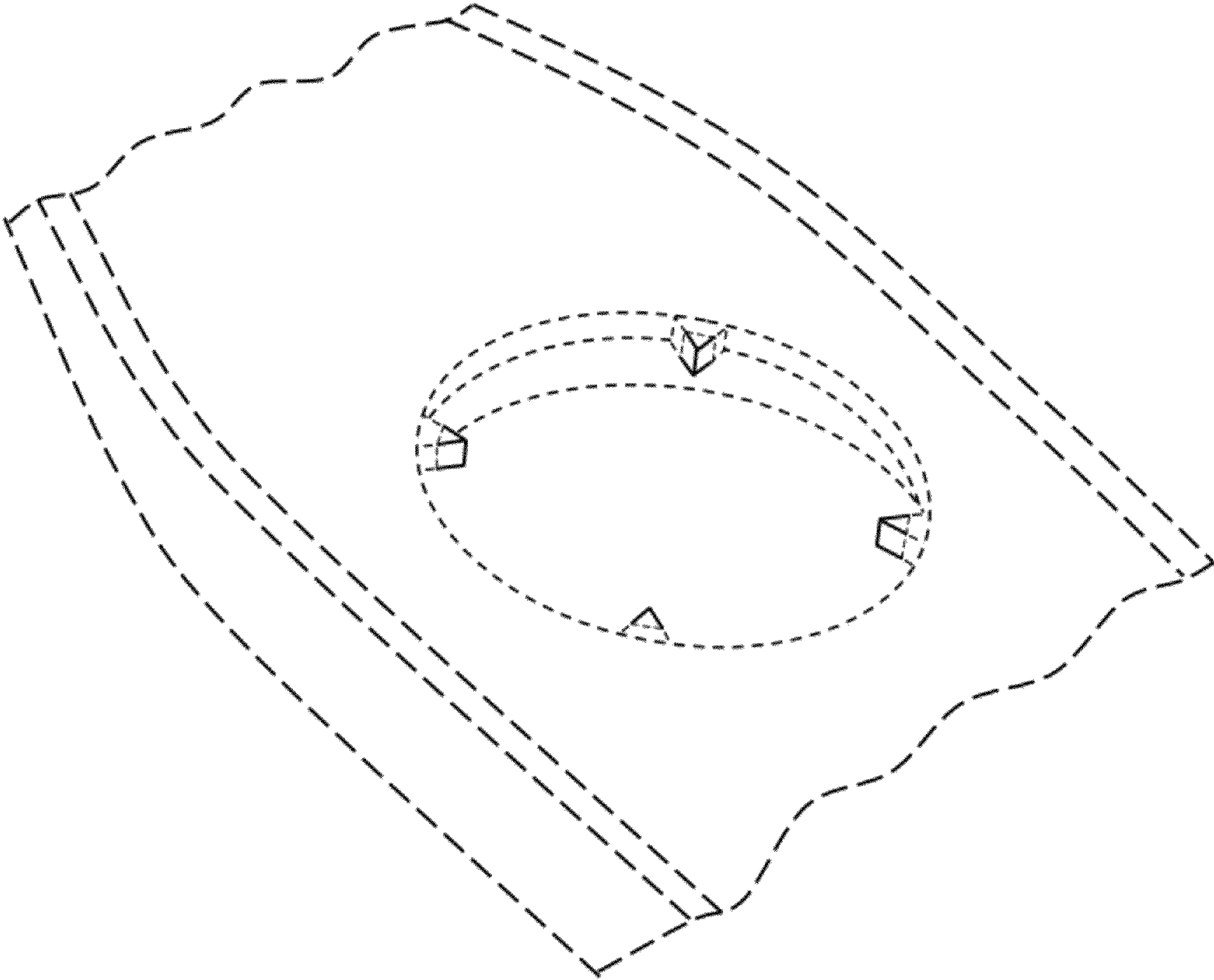


Fig. 3