



US00D665237S

(12) **United States Design Patent**  
**Wei**

(10) **Patent No.:** **US D665,237 S**

(45) **Date of Patent:** **\*\* Aug. 14, 2012**

- (54) **SWINGABLE RATCHET WHEEL**
- (76) Inventor: **Hung-Yin Wei**, Taichung (TW)
- (\*\*) Term: **14 Years**
- (21) Appl. No.: **29/411,506**
- (22) Filed: **Jan. 23, 2012**
- (51) **LOC (9) Cl.** ..... **08-05**
- (52) **U.S. Cl.** ..... **D8/21; D8/25**
- (58) **Field of Classification Search** ..... D8/21-29,  
D8/81-87, 102-107, 98, 99, 55, 93, 94; 81/60-63.2,  
81/177.1, 177.85, 177.8, 489, 125.1, 121.1,  
81/119, 120, 176.1, 186, 177.9, 185.1, 176.2,  
81/165, 170, 3.35, 58, 3.45, 155; 206/378;  
16/429, 441, 124.6; 7/100, 138, 168, 157;  
280/124.167, 124.13, 124.134, 124.137;  
267/273, 277, 154, 278  
See application file for complete search history.

7,032,478	B2 *	4/2006	Hu	.....	81/63.2
7,044,029	B1 *	5/2006	Hopper et al.	.....	81/63.2
7,178,429	B2 *	2/2007	Lin	.....	81/60
D558,006	S *	12/2007	Tuan Mu	.....	D8/21
2004/0123701	A1 *	7/2004	Hsien	.....	81/60

\* cited by examiner

*Primary Examiner* — Raphael Barkai  
*Assistant Examiner* — Randall Gholson  
 (74) *Attorney, Agent, or Firm* — Rosenberg, Klein & Lee

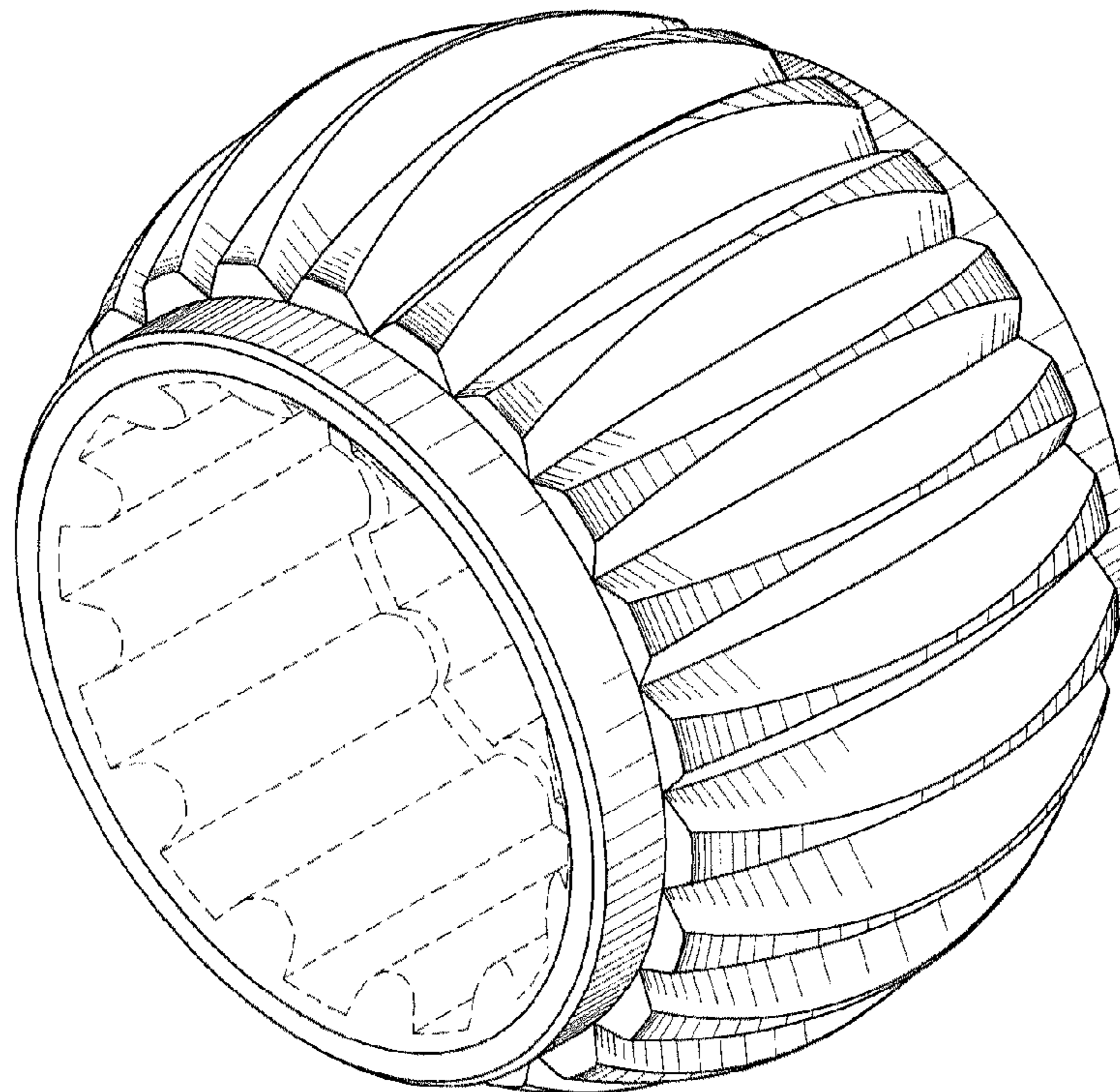
(57) **CLAIM**  
 The ornamental design for a swingable ratchet wheel, as shown and described.

**DESCRIPTION**

FIG. 1 is a perspective view of a swingable ratchet wheel showing my new design;  
 FIG. 2 is a front elevational view thereof;  
 FIG. 3 is a rear elevational view thereof;  
 FIG. 4 is a left side view thereof;  
 FIG. 5 is a right side view thereof;  
 FIG. 6 is a top plan view thereof;  
 FIG. 7 is a bottom plan view thereof; and,  
 FIG. 8 is a cross-sectional view thereof.  
 The broken lines in FIGS. 1, 2, 3, and 8 are intended for the purpose of illustration only and are not a part of the claimed design.

- (56) **References Cited**
- U.S. PATENT DOCUMENTS
- 6,148,695 A \* 11/2000 Hu ..... 81/60
- 6,488,136 B2 \* 12/2002 Chang ..... 192/46
- 6,516,930 B2 \* 2/2003 Chen ..... 192/43.2
- 6,644,148 B2 \* 11/2003 Hu ..... 81/63.2
- 6,739,222 B2 \* 5/2004 Hsieh ..... 81/60
- D498,775 S \* 11/2004 Hu ..... D15/148
- D498,778 S \* 11/2004 Hu ..... D15/148

**1 Claim, 8 Drawing Sheets**



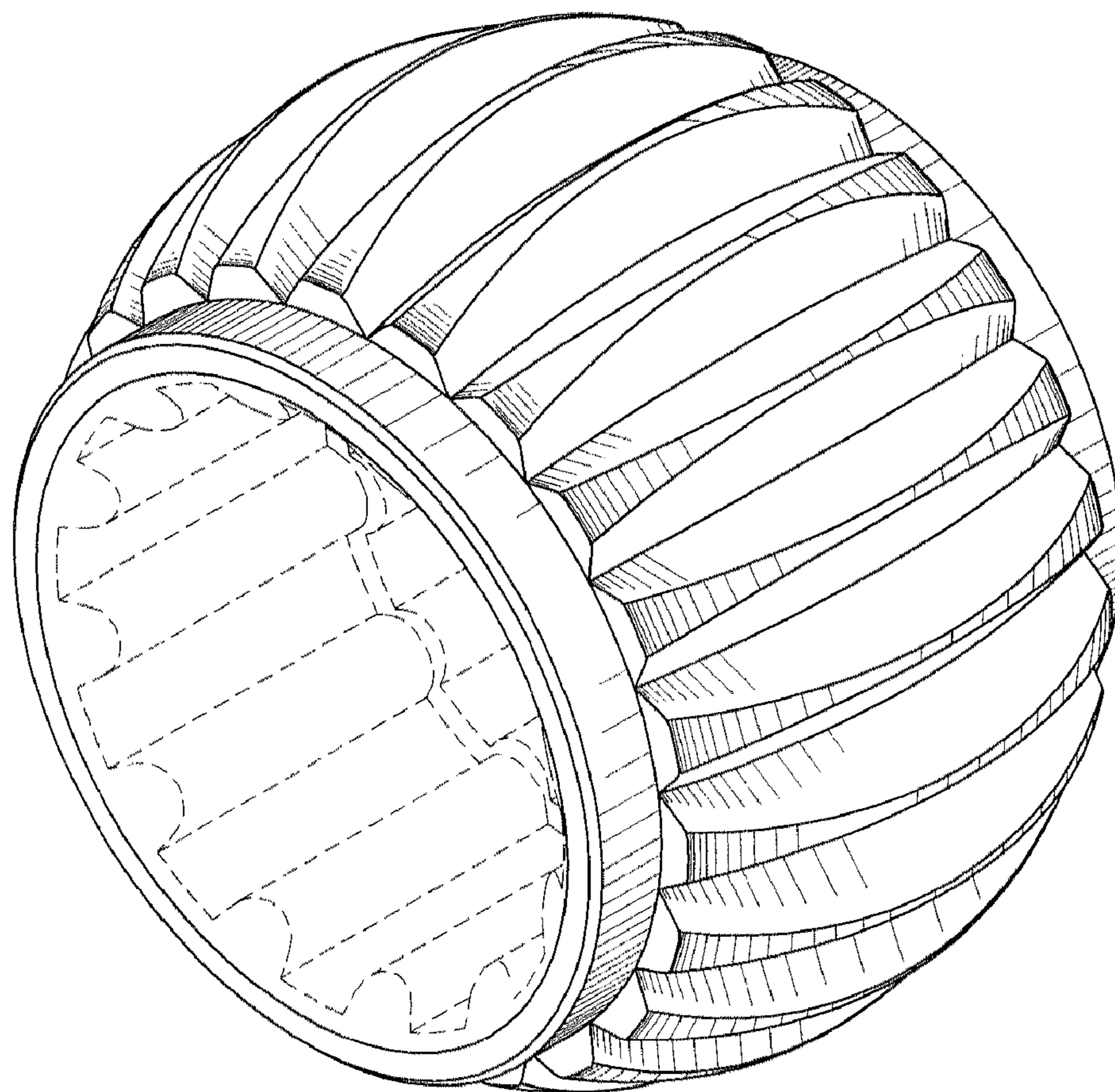


FIG. 1

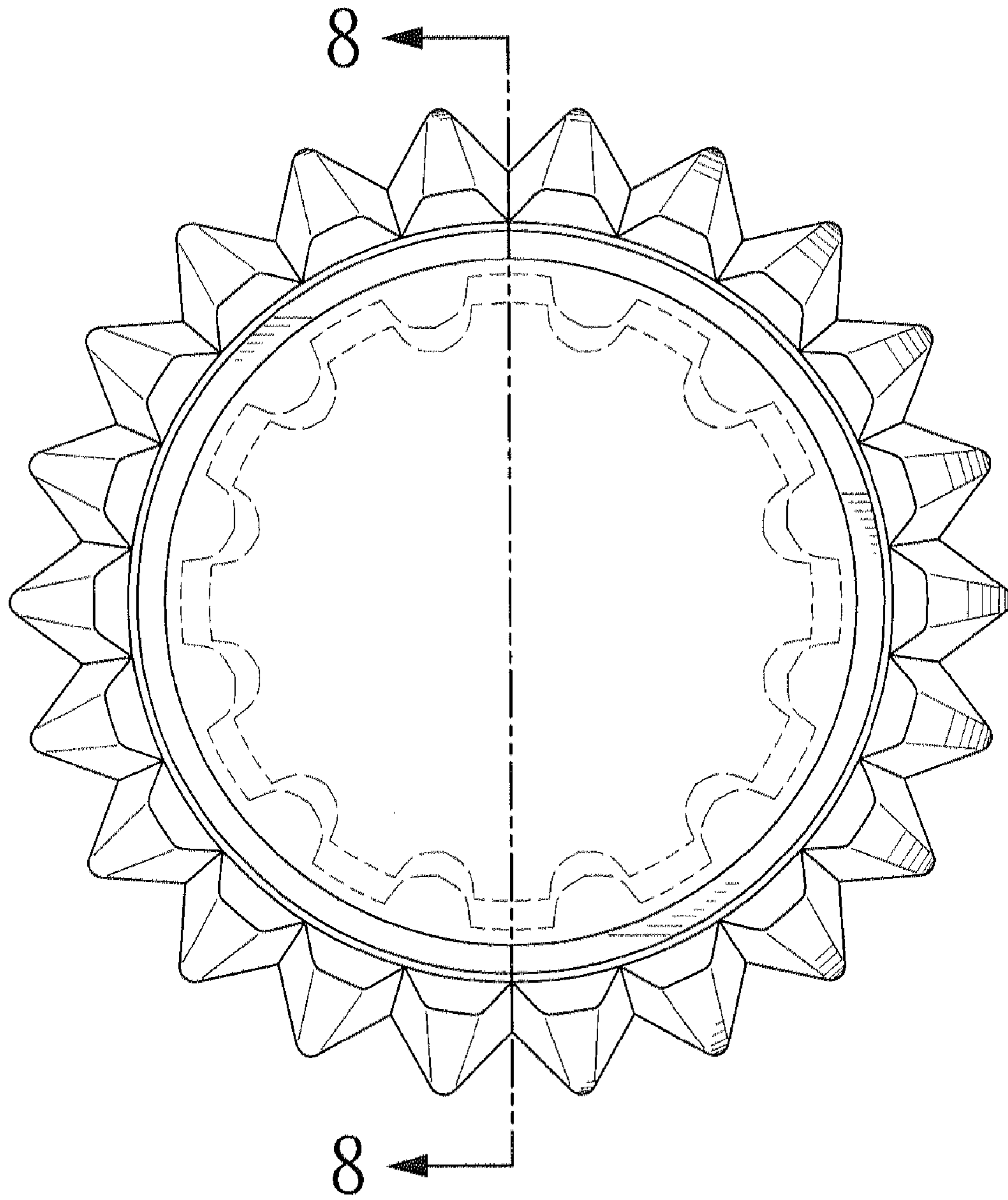


FIG. 2



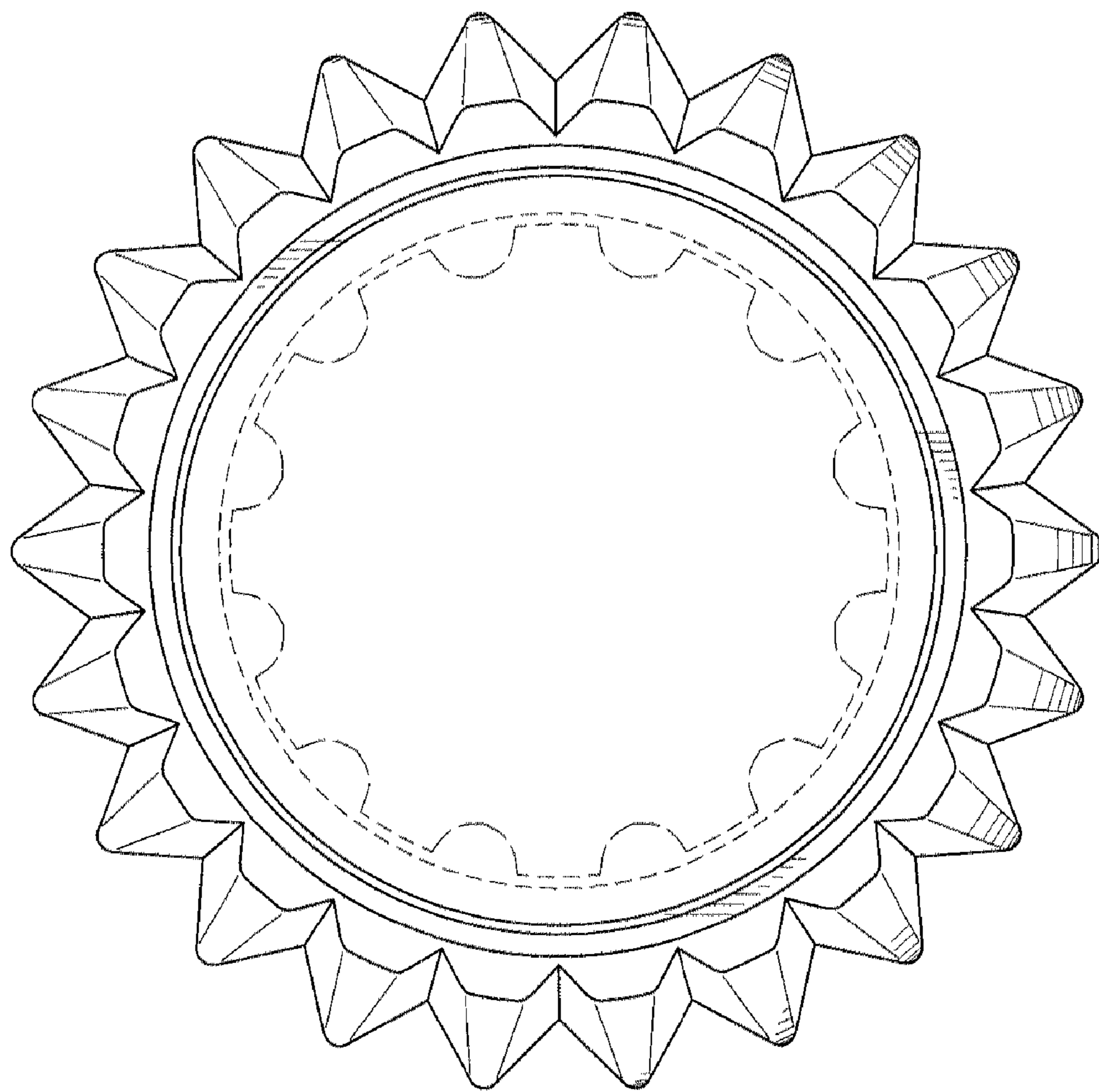


FIG. 3

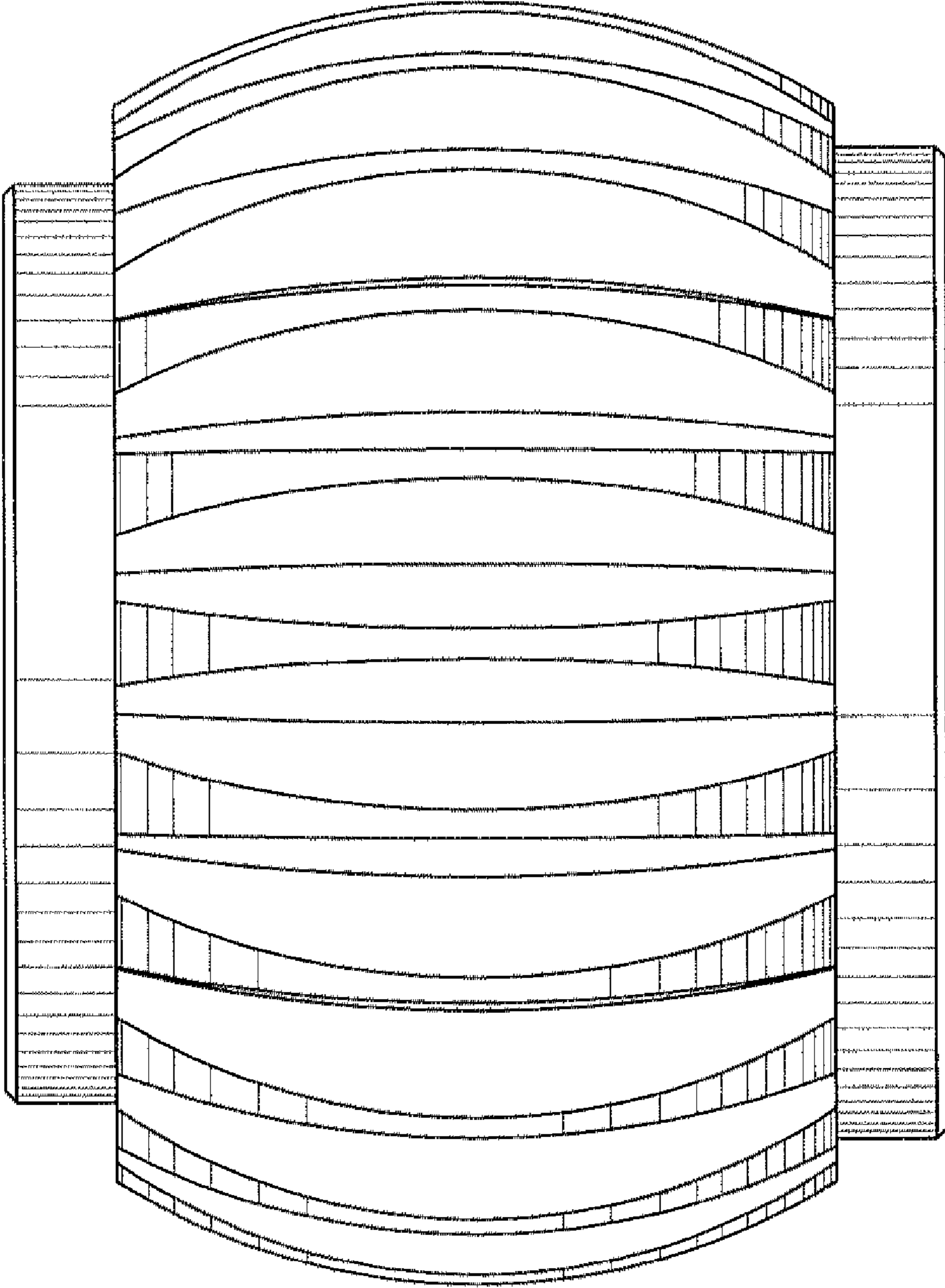


FIG. 4

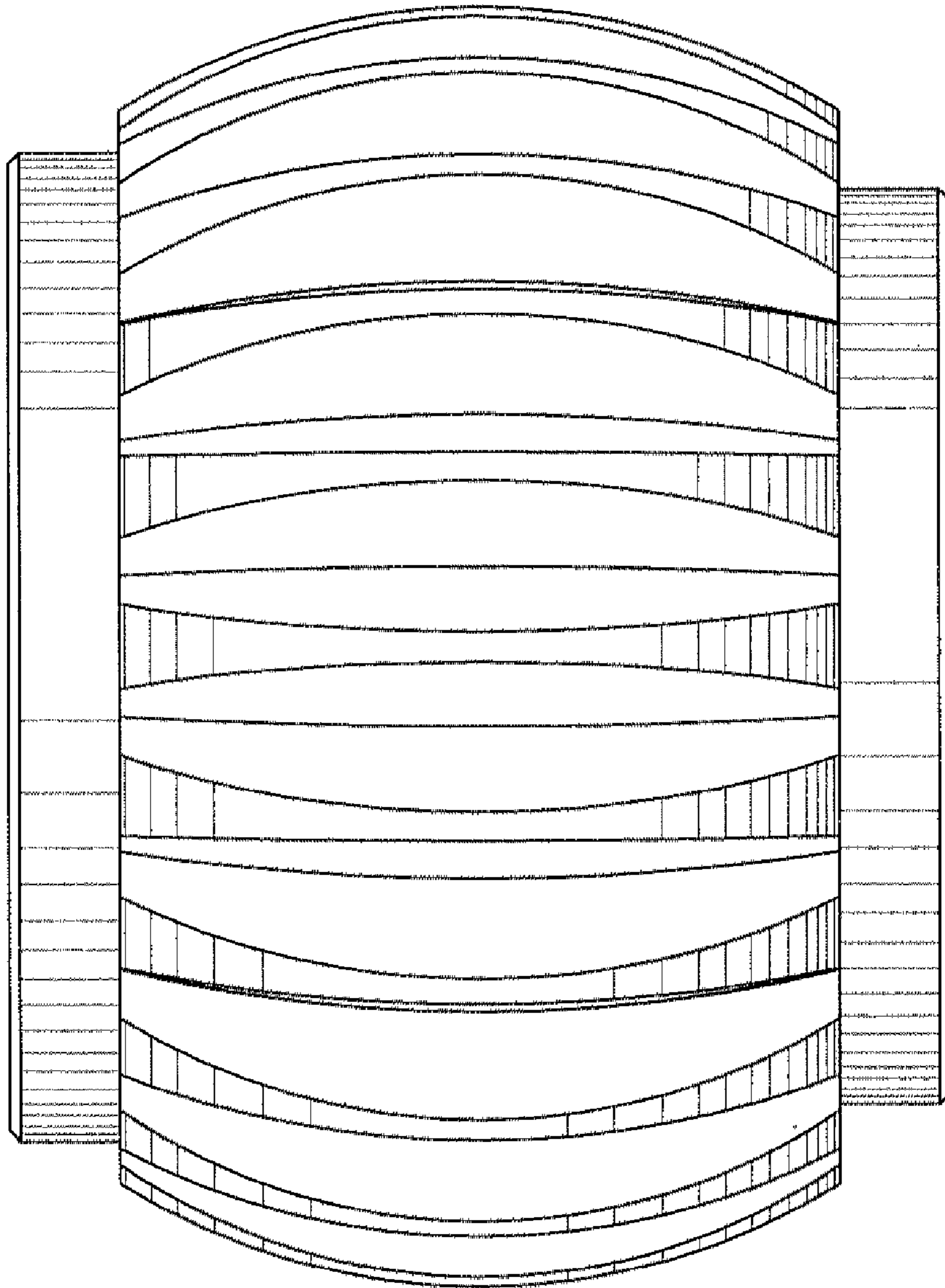


FIG. 5

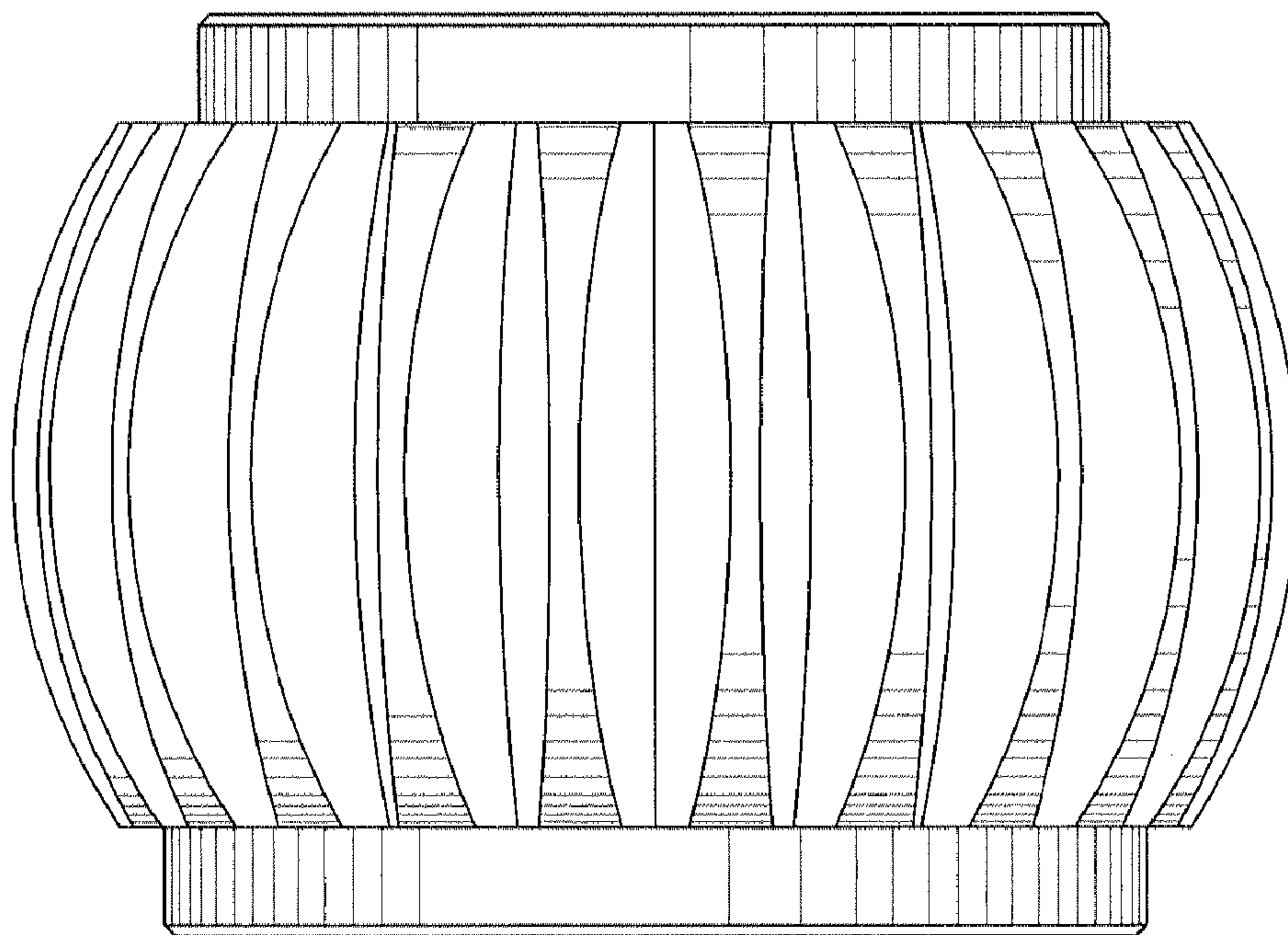


FIG. 6

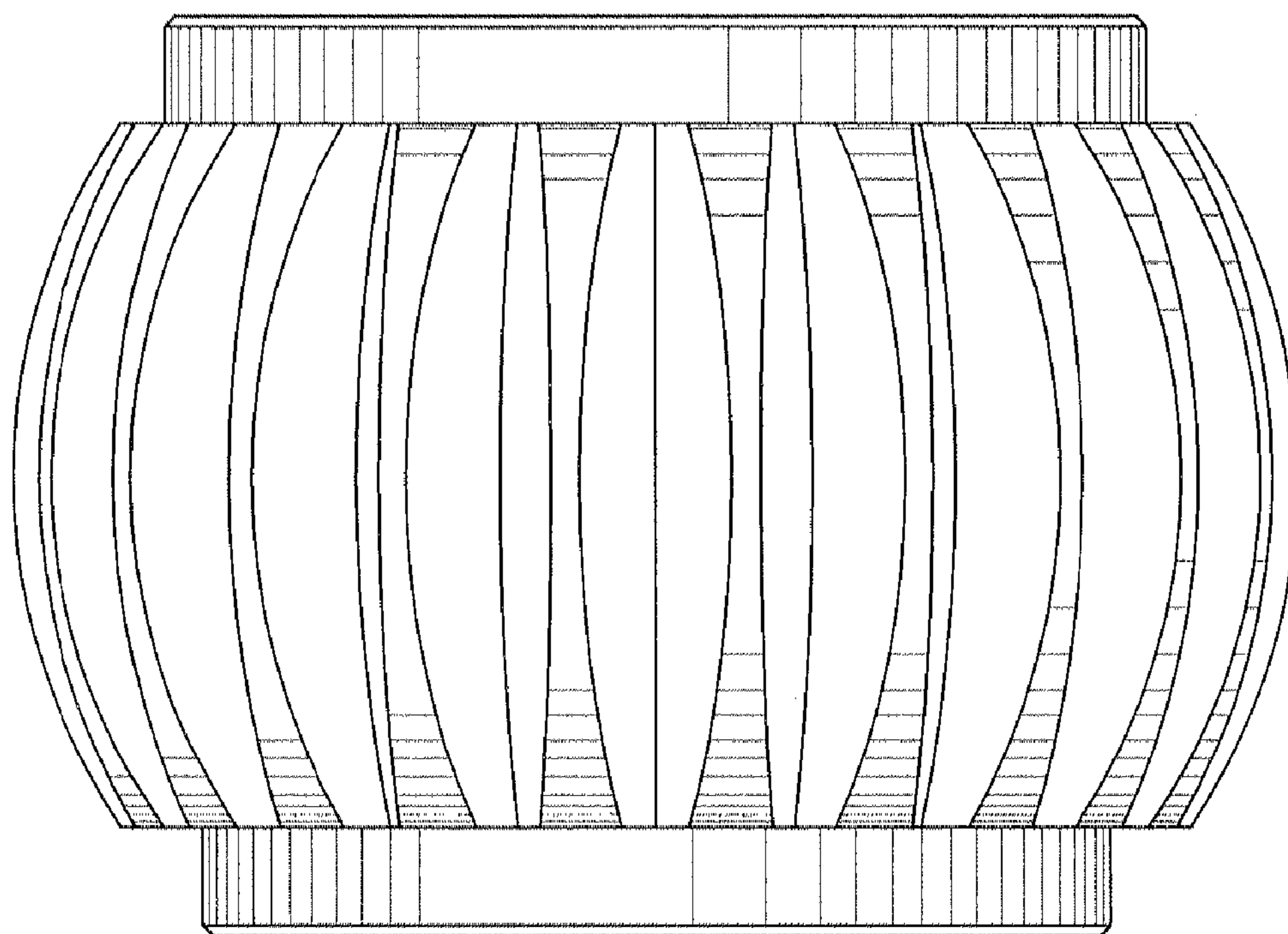


FIG. 7



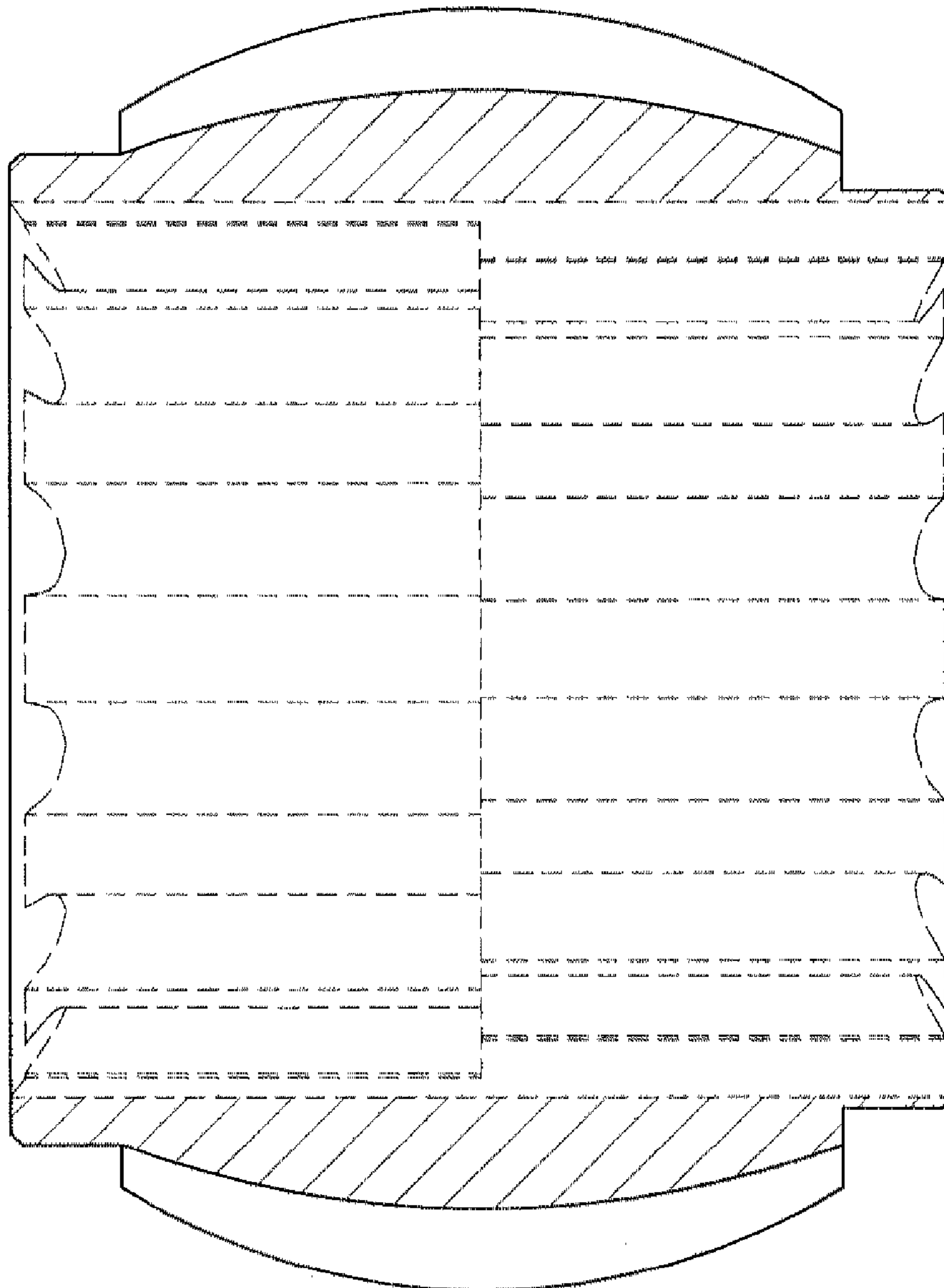


FIG. 8