



US00D665235S

(12) **United States Design Patent**  
**Kestenbaum**

(10) **Patent No.:** **US D665,235 S**

(45) **Date of Patent:** **\*\* Aug. 14, 2012**

(54) **VEGETABLE CHOPPER**

(75) Inventor: **Dan Kestenbaum**, Guildford (GB)

(73) Assignee: **DKB Household UK Limited**,  
Farnborough, Hampshire (GB)

(\*\*) Term: **14 Years**

(21) Appl. No.: **29/401,289**

(22) Filed: **Sep. 9, 2011**

(30) **Foreign Application Priority Data**

Mar. 11, 2011 (EM) ..... 001834516-0009

(51) **LOC (9) Cl.** ..... **07-04**

(52) **U.S. Cl.** ..... **D7/674**

(58) **Field of Classification Search** ..... D7/672-674,  
D7/677, 678, 693, 381, 385, 665, 666, 412;  
30/303, 304, 114, 116; 99/537, 538, 508,  
99/430; 83/466.1, 651.1, 597, 932, 599;  
241/167, 169.2, 168, 169.1, 95, 84.3; 100/234;  
425/318, 87, 352, 195; 249/92

See application file for complete search history.

(56) **References Cited**

U.S. PATENT DOCUMENTS

2,135,025	A *	11/1938	Batjer	.....	425/318
2,735,467	A *	2/1956	Hellmich	.....	241/84.3
2,836,212	A *	5/1958	Shaw	.....	83/620
4,466,346	A *	8/1984	Gemelli	.....	100/112
D364,321	S *	11/1995	Lui et al.	.....	D7/673
6,505,548	B1 *	1/2003	Lillelund et al.	.....	99/510
D491,772	S *	6/2004	Brousseau et al.	.....	D7/666
7,117,785	B2 *	10/2006	Walker, III	.....	100/126
D545,642	S *	7/2007	Wong	.....	D7/674

7,296,762	B2 *	11/2007	Dorion	.....	241/169
7,299,747	B2 *	11/2007	So	.....	100/234
D573,853	S *	7/2008	Ericsson	.....	D7/672
D612,218	S *	3/2010	Blankenship	.....	D7/674
D618,517	S *	6/2010	Wong	.....	D7/672
2006/0192042	A1 *	8/2006	So	.....	241/95

\* cited by examiner

*Primary Examiner* — Jeffrey D Asch

(74) *Attorney, Agent, or Firm* — Harry K. Ahn; McCarter & English, LLP

(57) **CLAIM**

The ornamental design for a vegetable chopper, as shown and described.

**DESCRIPTION**

FIG. 1 is a front view of a vegetable chopper, according to the present invention;  
FIG. 2 is a rear view of the vegetable chopper of FIG. 1;  
FIG. 3 is a left side view of the vegetable chopper of FIG. 1;  
FIG. 4 is a right side view of the vegetable chopper of FIG. 1;  
FIG. 5 is a top view of the vegetable chopper of FIG. 1;  
FIG. 6 is a top, rear and right side perspective view of the vegetable chopper of FIG. 1 in an open configuration; and,  
FIG. 7 is a top, rear and right side perspective view of the vegetable chopper of FIG. 1 in a closed configuration.

The outer-most broken lines shown on the interior surface in FIG. 6 represent the bounds of the claimed design while all other broken lines shown in the drawing views are included for illustrative purposes only; the broken lines form no part of the claimed design, and are not intended to limit the claimed design.

**1 Claim, 7 Drawing Sheets**

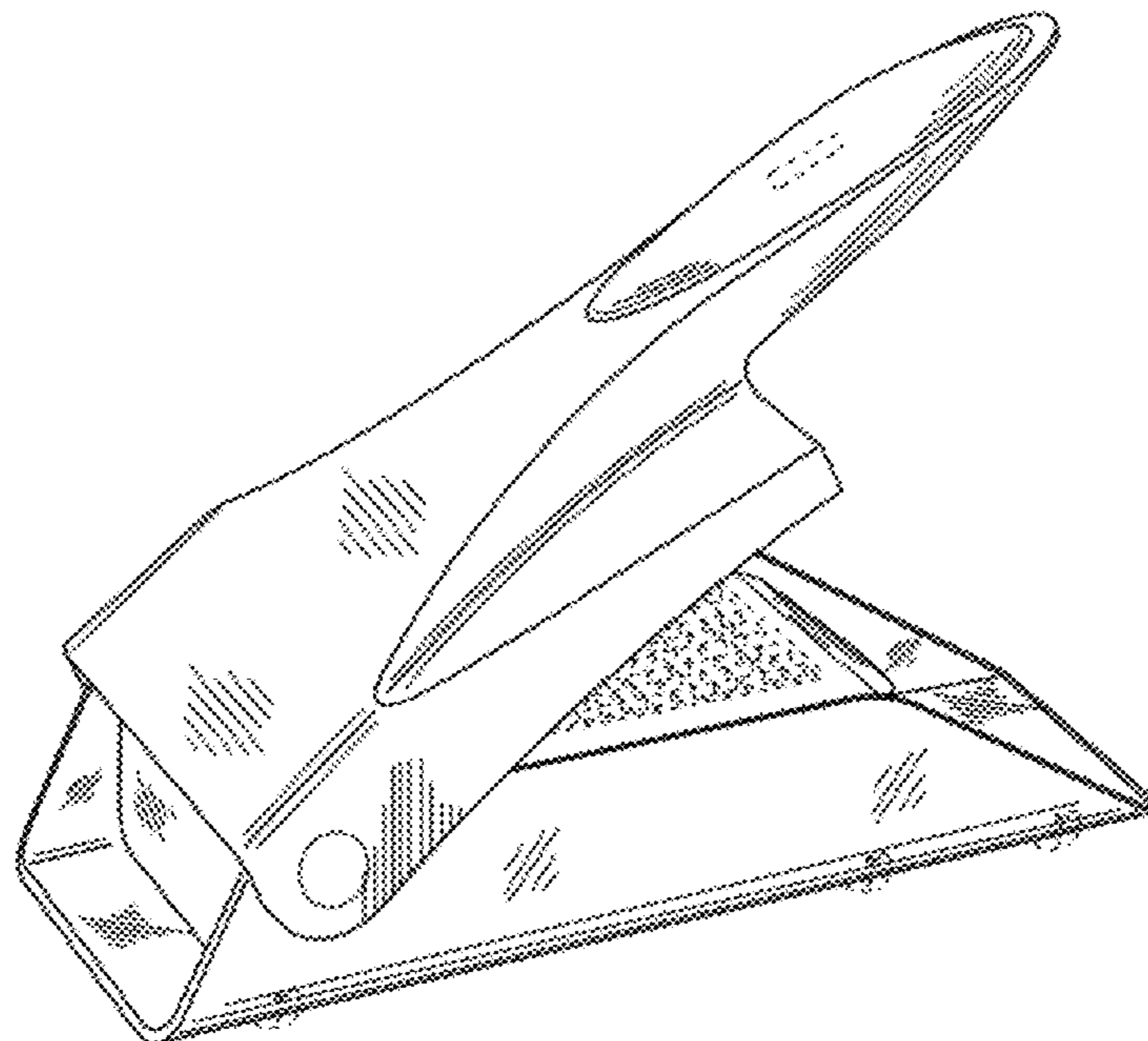


Figure 1

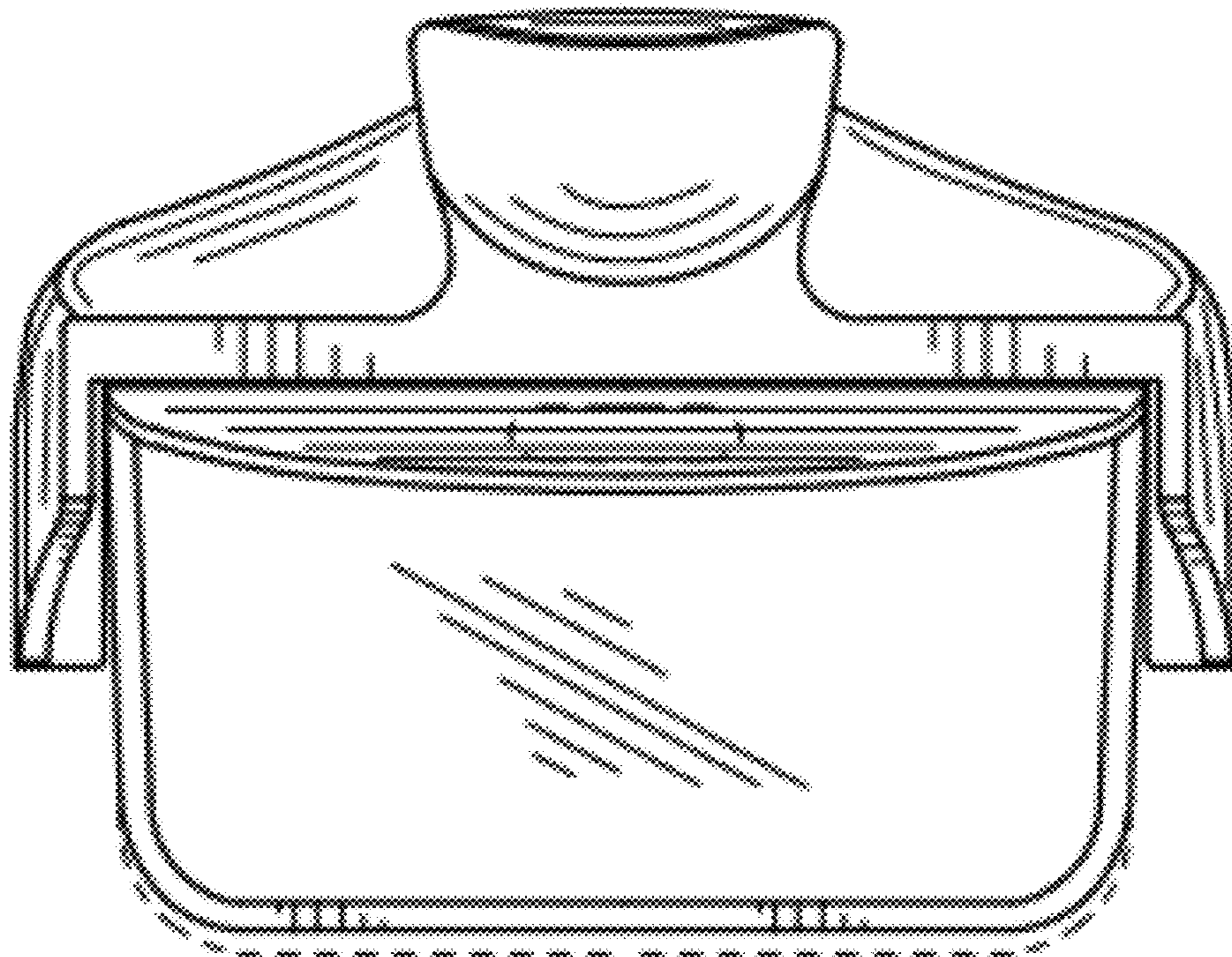


Figure 2

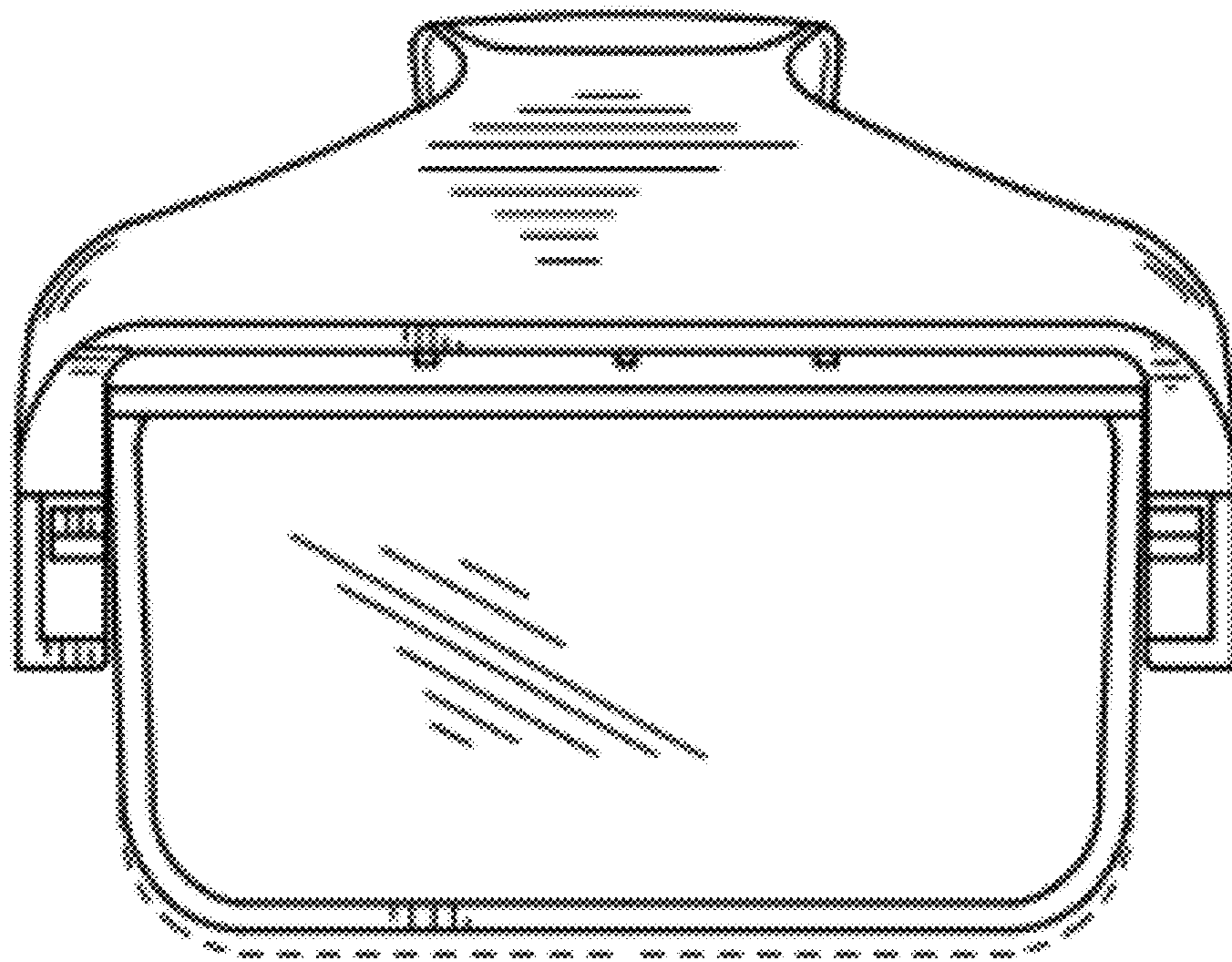


Figure 3

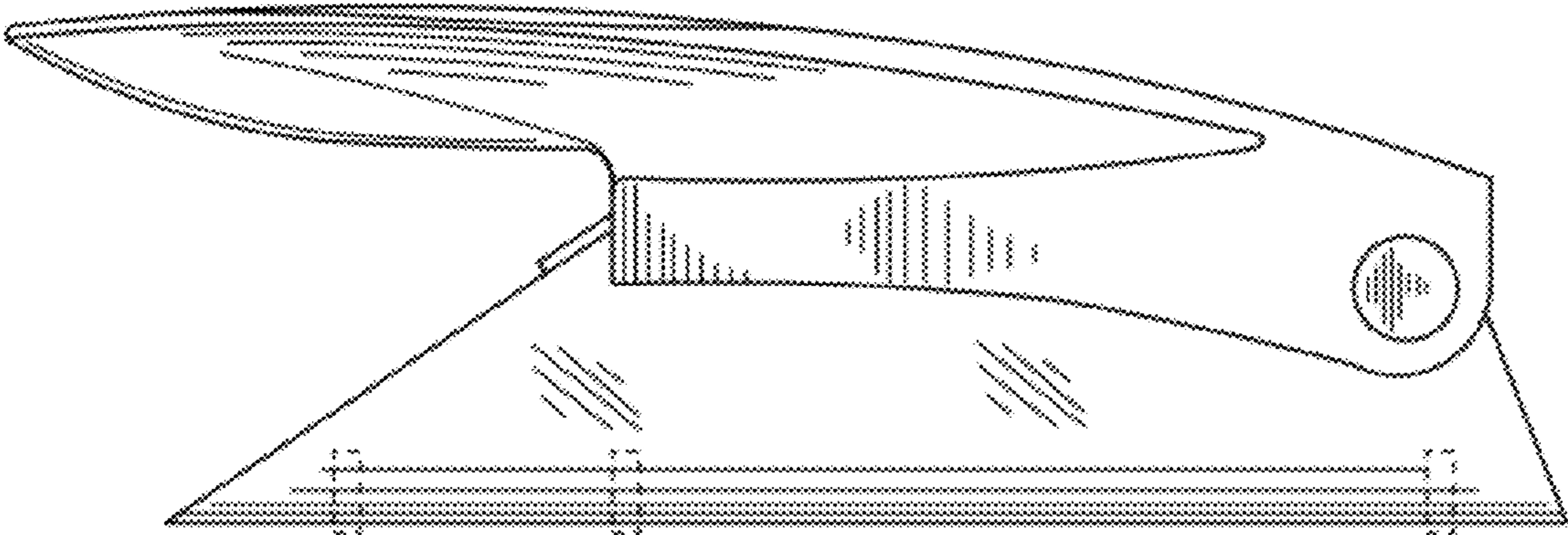


Figure 4

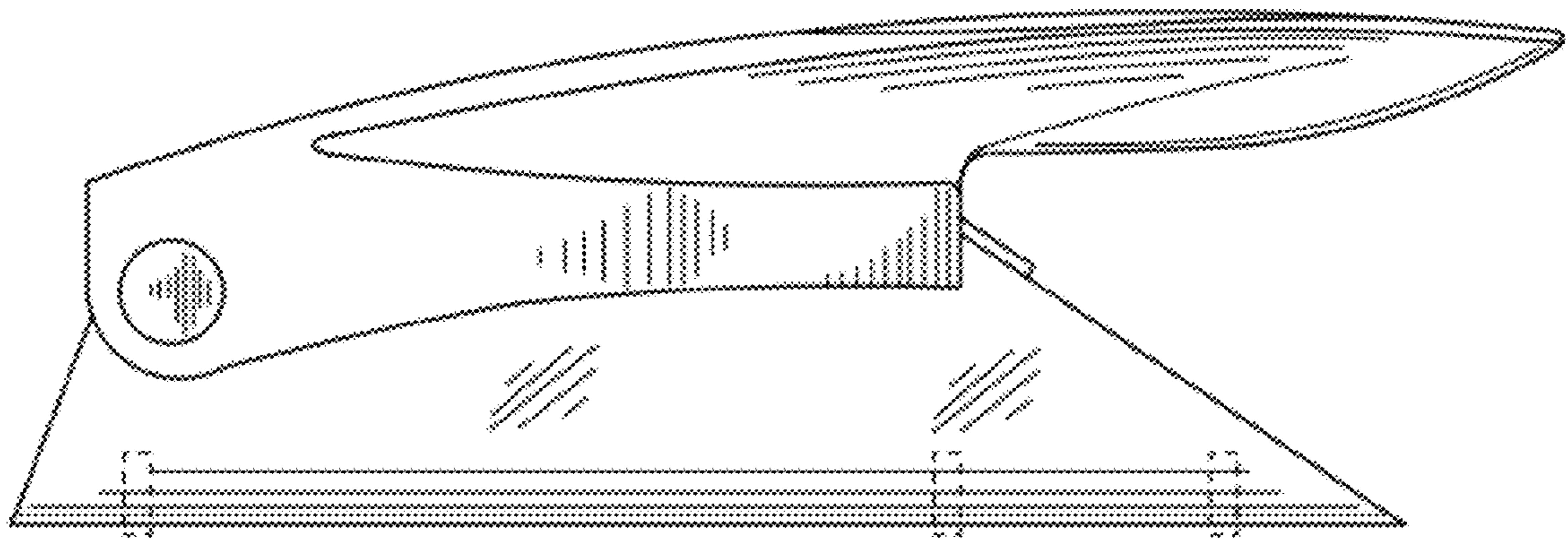


Figure 5

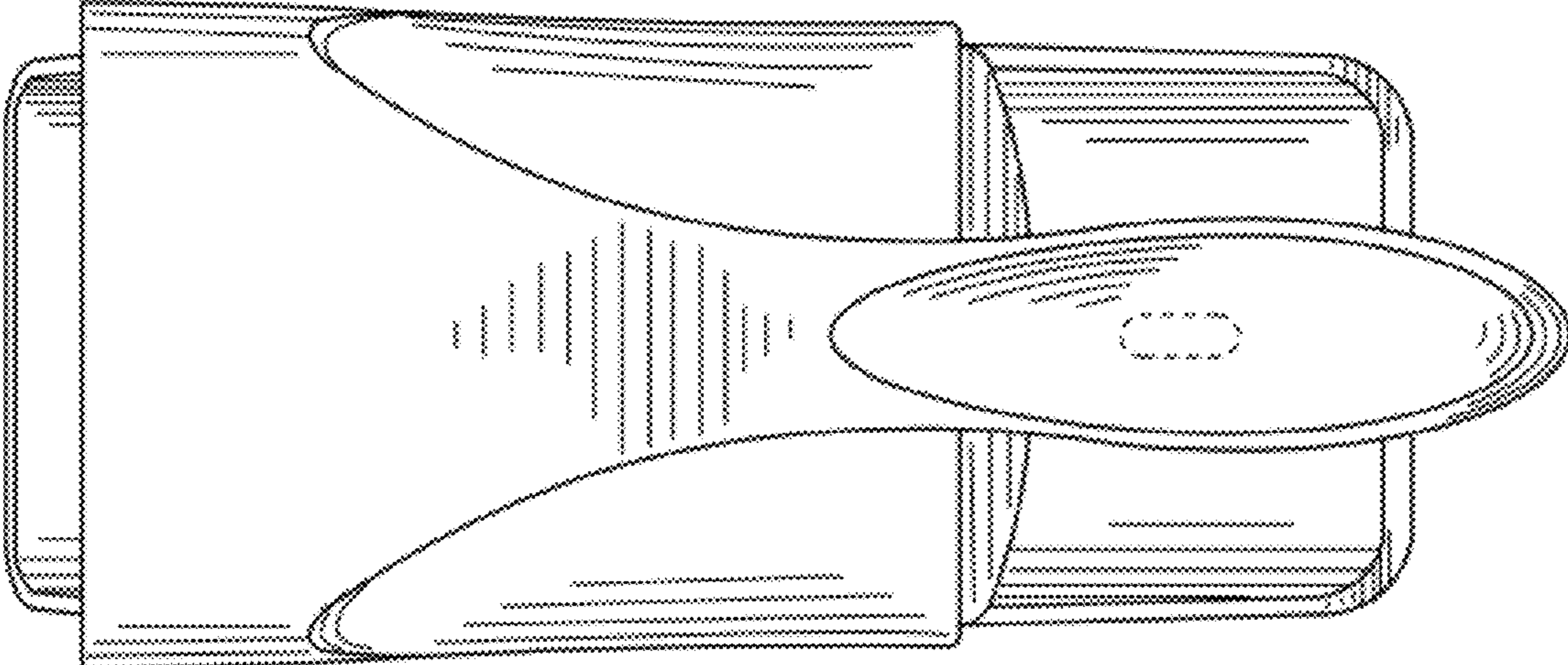


Figure 6

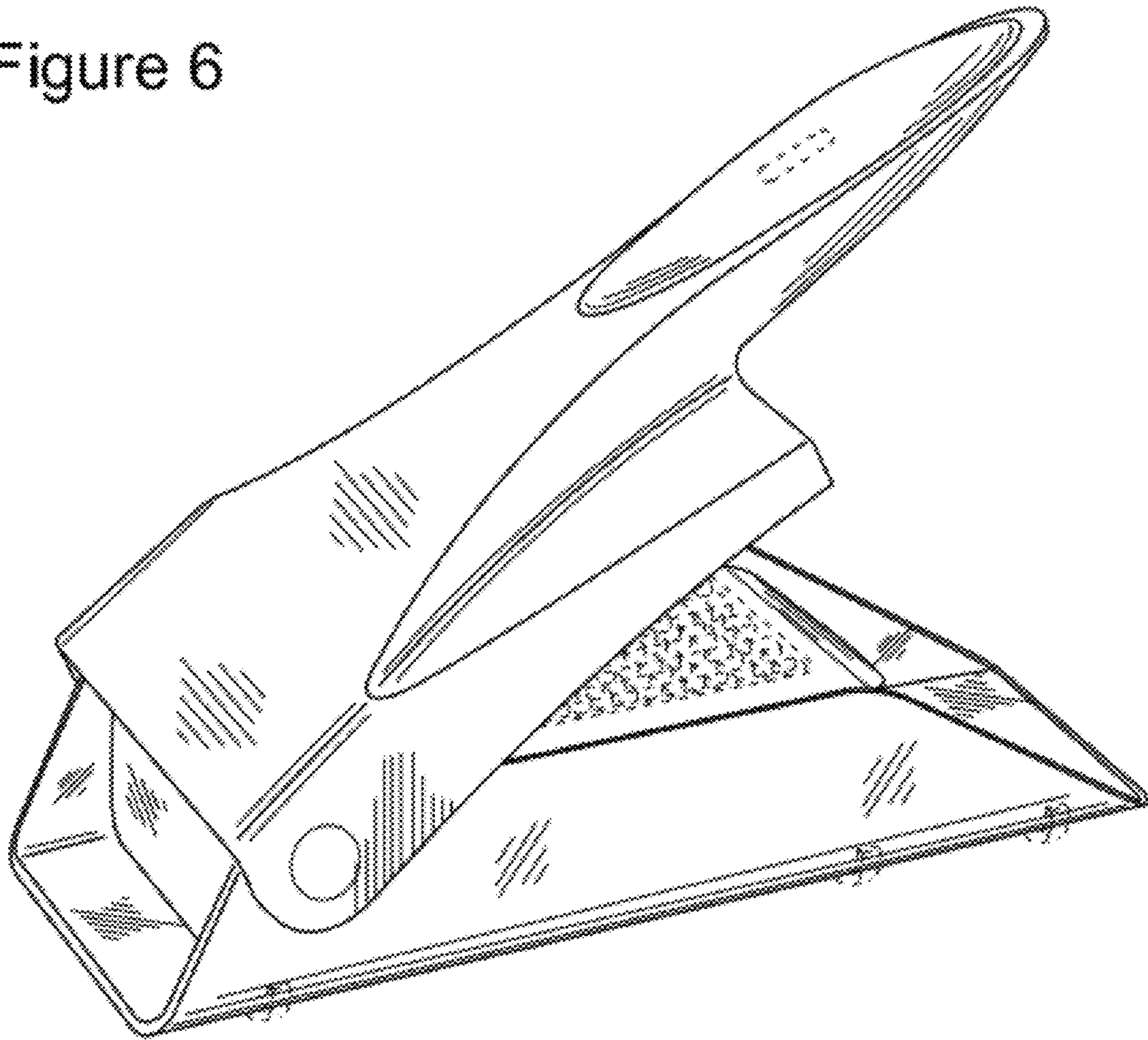


Figure 7

