

US00D665232S

(12) **United States Design Patent**
O'Connell et al.

(10) **Patent No.:** **US D665,232 S**

(45) **Date of Patent:** **** Aug. 14, 2012**

(54) **SPOON REST**

(75) Inventors: **Patrick R. O'Connell**, St. Louis Park, MN (US); **Benjamin P. Williams**, Houlton, WI (US); **Stacy L. Abel**, Maple Grove, MN (US)

(73) Assignee: **Target Brands, Inc.**, Minneapolis, MN (US)

(**) Term: **14 Years**

(21) Appl. No.: **29/408,498**

(22) Filed: **Dec. 13, 2011**

(51) **LOC (9) Cl.** **07-06**

(52) **U.S. Cl.** **D7/637**

(58) **Field of Classification Search** D7/601, D7/637-641; 248/37.3, 37.6, 174, 176.1, 248/176; 211/41.11, 70.7, 13.1, 70.1
See application file for complete search history.

(56) **References Cited**

U.S. PATENT DOCUMENTS

D48,039 S	10/1915	Niper	
D158,544 S	5/1950	Ball	
2,639,081 A *	5/1953	Metzger	211/70.1
2,664,005 A	12/1953	Kosinski	
D244,248 S *	5/1977	Anzures	D7/641
D255,311 S	6/1980	Dunne	
D265,622 S	8/1982	Bartels	
D290,919 S	7/1987	Beute	

D326,591 S	6/1992	Hall	
D363,416 S	10/1995	Laib	
D378,564 S *	3/1997	Hall	D7/637
D379,574 S	6/1997	Jeppesen et al.	
D444,356 S	7/2001	Conaway	
D465,974 S *	11/2002	Dorion et al.	D7/637
D466,375 S	12/2002	Dorion et al.	
D497,292 S	10/2004	Snell	
D513,941 S	1/2006	Farmer et al.	
D532,657 S	11/2006	Del Rosario	
D573,417 S	7/2008	Osbourn	
D577,268 S	9/2008	Shamoon	
D579,278 S *	10/2008	Umnitz	D7/637
D637,047 S	5/2011	Goodman et al.	
2003/0205645 A1	11/2003	Kaposi	

* cited by examiner

Primary Examiner — Terry Wallace

(74) *Attorney, Agent, or Firm* — Leanne Taveggia Farrell; Westman, Champlin & Kelly, P.A.

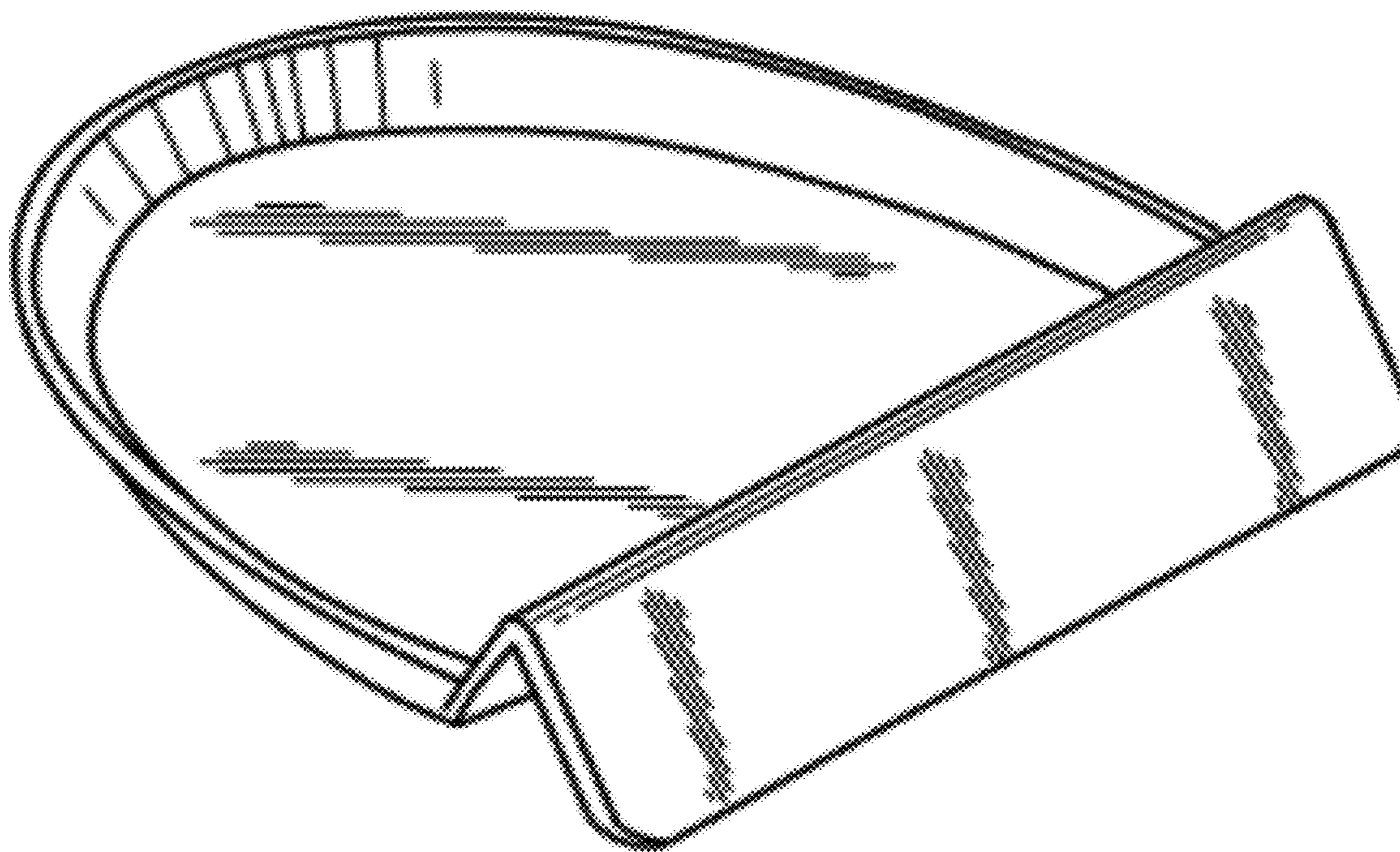
(57) **CLAIM**

The ornamental design for a spoon rest, as shown.

DESCRIPTION

FIG. 1 is a perspective view of the spoon rest;
FIG. 2 is a back view thereof;
FIG. 3 is a front view thereof;
FIG. 4 is a right side view thereof;
FIG. 5 is a left side view thereof;
FIG. 6 is a top view thereof; and,
FIG. 7 is a bottom view thereof.

1 Claim, 1 Drawing Sheet



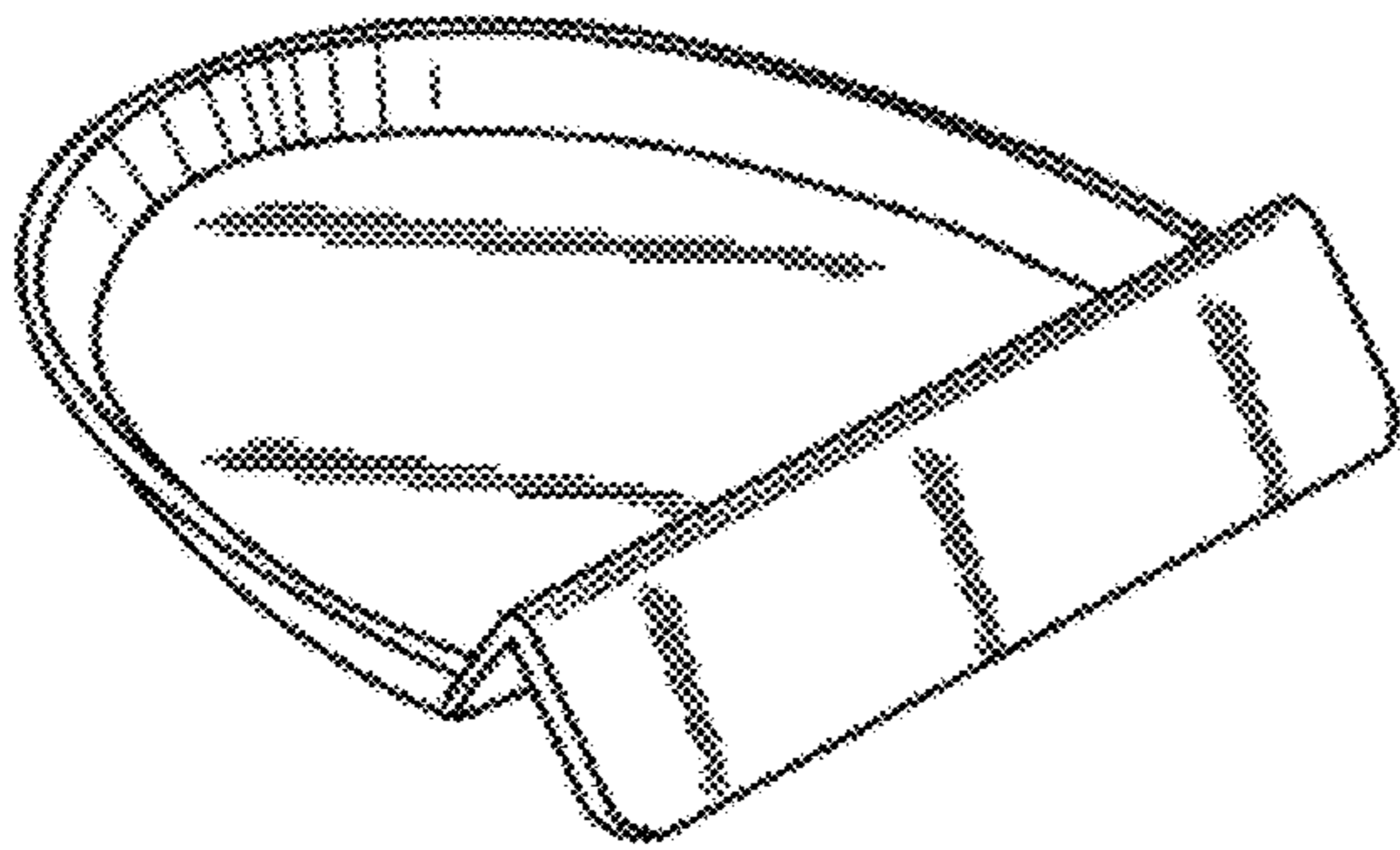


FIG. 1



FIG. 2



FIG. 3



FIG. 4



FIG. 5

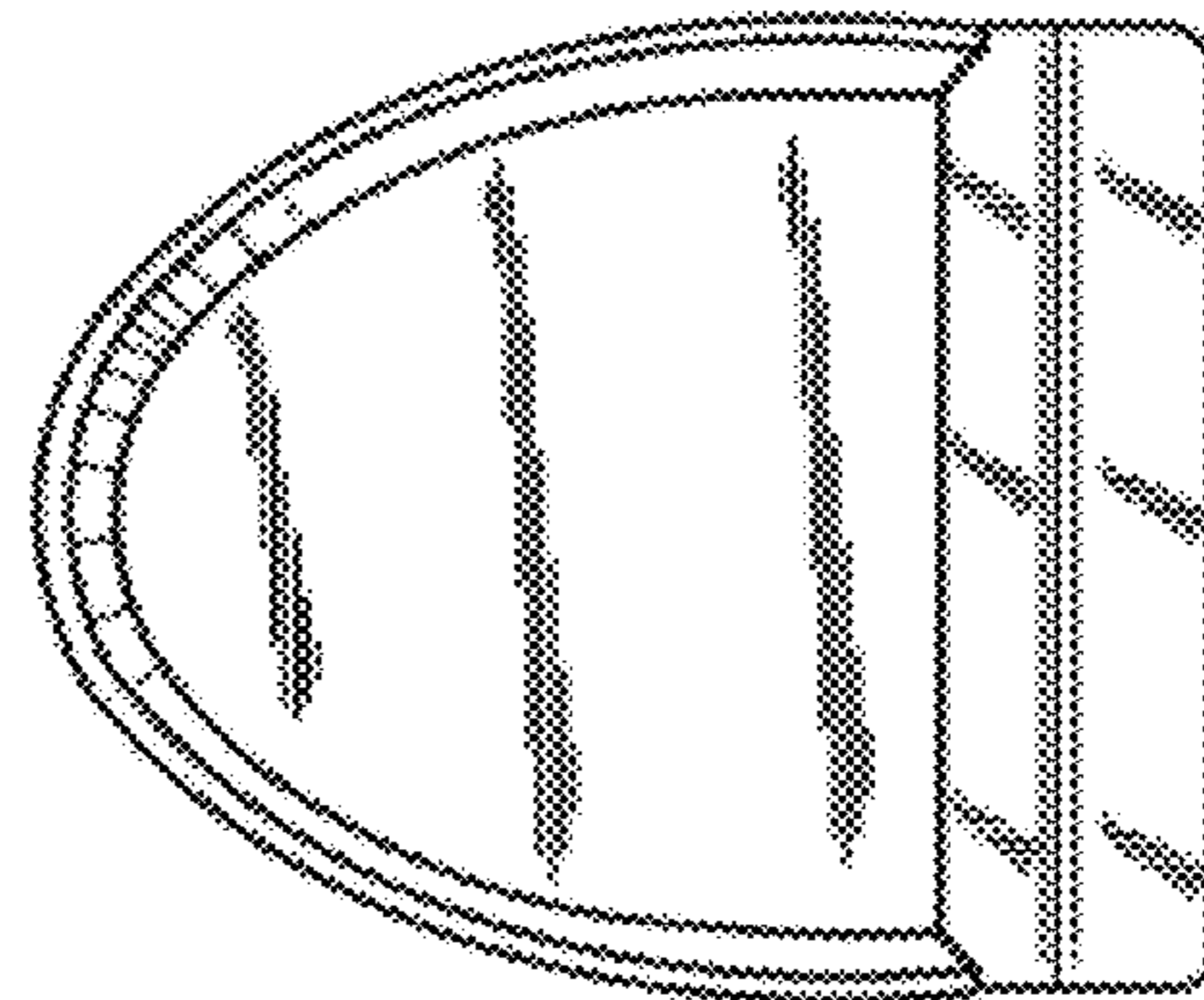


FIG. 6

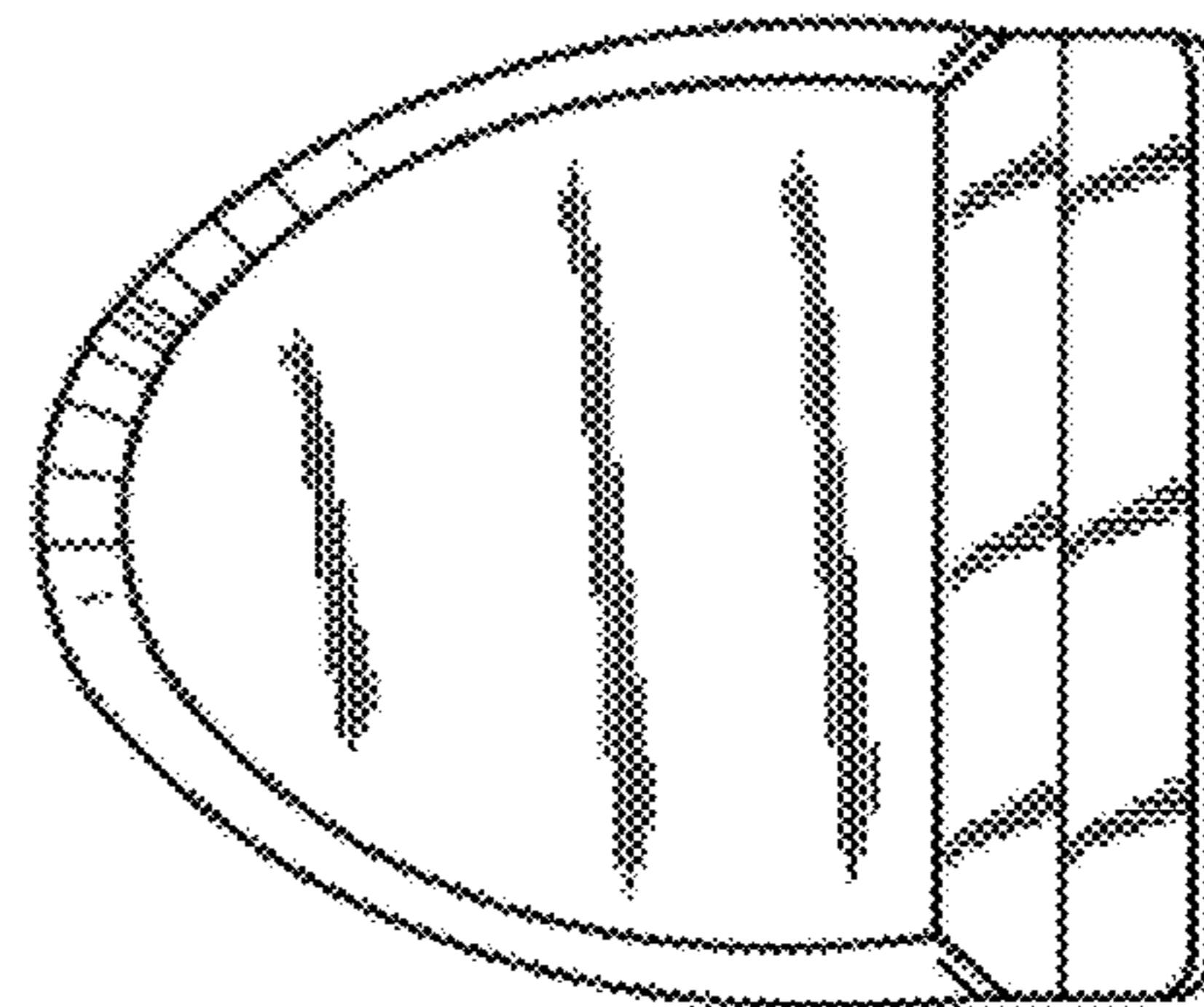


FIG. 7