



US00D665229S

(12) **United States Design Patent**
Tompkin

(10) **Patent No.:** **US D665,229 S**

(45) **Date of Patent:** **** Aug. 14, 2012**

(54) **CANDY DISPENSER**

(75) Inventor: **Crispian Tompkin**, Los Angeles, CA
(US)

(73) Assignee: **MerchSource, LLC**, Foothill Ranch, CA
(US)

(**) Term: **14 Years**

(21) Appl. No.: **29/397,313**

(22) Filed: **Jul. 14, 2011**

(51) **LOC (9) Cl.** **07-06**

(52) **U.S. Cl.** **D7/589**

(58) **Field of Classification Search** D7/589,
D7/401.1; D6/542-545; D20/1, 4, 7; 222/368,
222/185.1, 181.1, 173, 367, 230, 160, 251,
222/282, 288

See application file for complete search history.

(56) **References Cited**

U.S. PATENT DOCUMENTS

D261,656	S	*	11/1981	Svensson et al.	D7/589
4,569,463	A	*	2/1986	Pellegrino	222/288
D309,402	S	*	7/1990	Morrow	D7/589
D390,753	S	*	2/1998	Danemayer	D7/589
D392,843	S	*	3/1998	Mulvihill	D7/589
D467,466	S	*	12/2002	Apelboim et al.	D7/589
6,681,718	B1	*	1/2004	McIlarky	119/53
D500,636	S	*	1/2005	Levy et al.	D7/589
6,964,355	B2	*	11/2005	Landau	222/185.1
D531,457	S	*	11/2006	Gold et al.	D7/589

D554,409	S	*	11/2007	Scorgie	D6/542
D562,079	S	*	2/2008	Ben Shlomo et al.	D7/589
2004/0226962	A1	*	11/2004	Mazursky et al.	222/95
2006/0249531	A1	*	11/2006	Litchfield	222/52

* cited by examiner

Primary Examiner — Terry Wallace

(74) *Attorney, Agent, or Firm* — The Eclipse Group LLP

(57) **CLAIM**

I claim the ornamental design for a candy dispenser, as shown and described.

DESCRIPTION

FIG. 1 is a perspective view of the right side of a candy dispenser.

FIG. 2 is a front elevation view of the candy dispenser illustrated in FIG. 1.

FIG. 3 is a rear elevation view of the candy dispenser illustrated in FIG. 1.

FIG. 4 is an elevation view of the left side of the candy dispenser illustrated in FIG. 1.

FIG. 5 is an elevation view of the right side of the candy dispenser illustrated in FIG. 1.

FIG. 6 is a top view of the candy dispenser illustrated in FIG. 1; and,

FIG. 7 is a bottom view of the candy dispenser illustrated in FIG. 1.

The portions of the candy dispenser in broken lines are shown for illustrative purposes only and form no part of the claimed design.

1 Claim, 5 Drawing Sheets

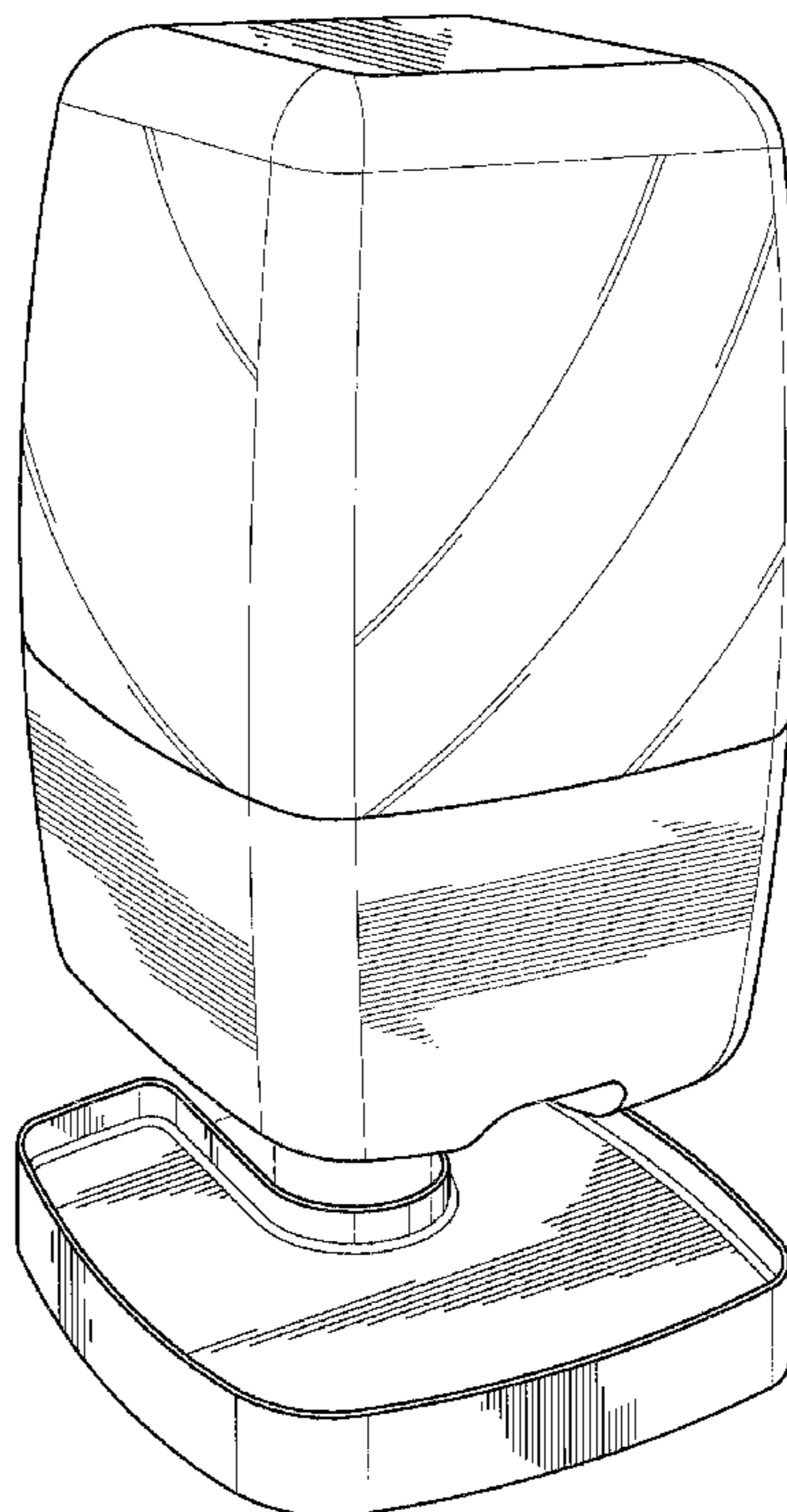
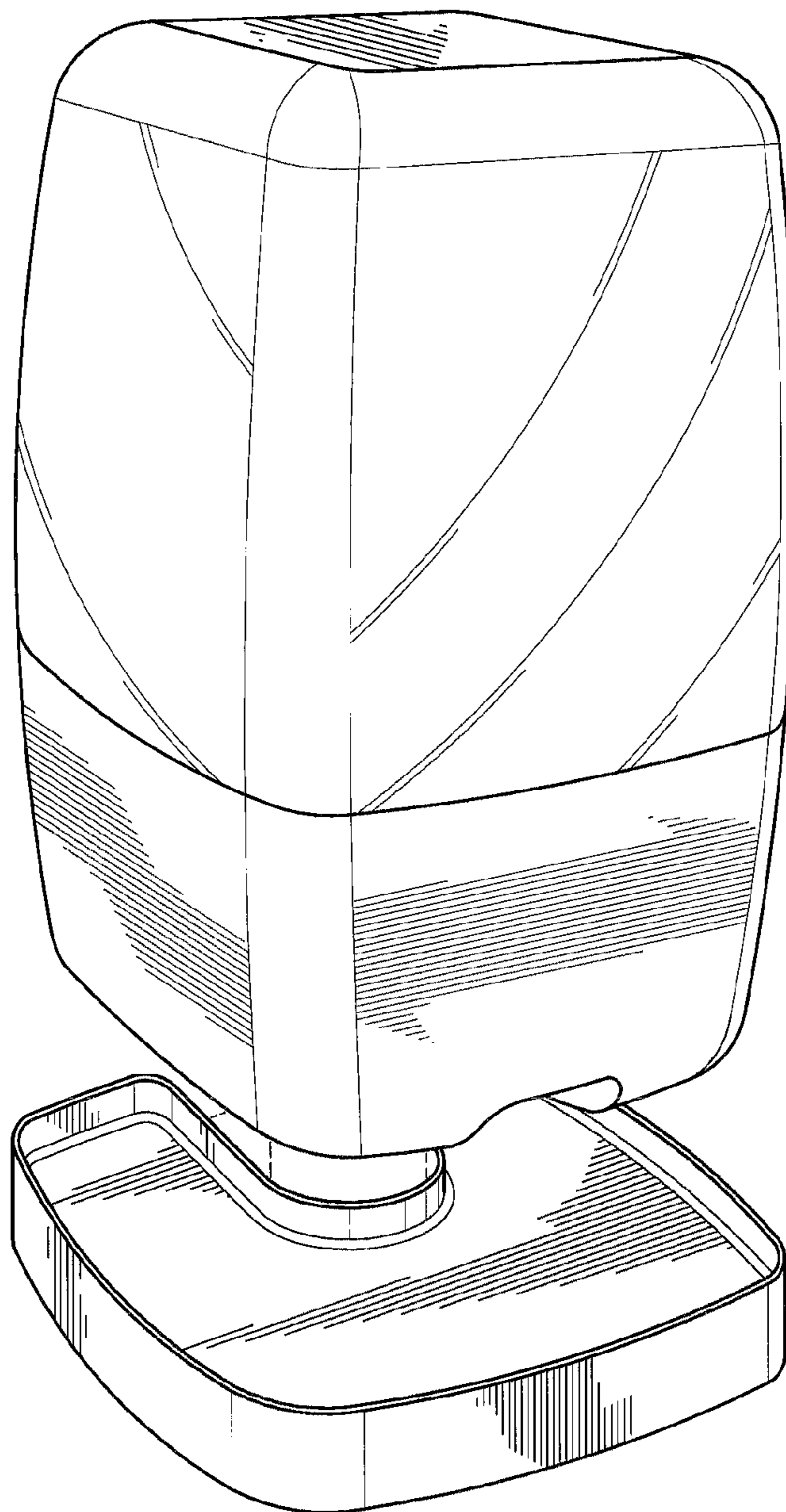


FIG. 1



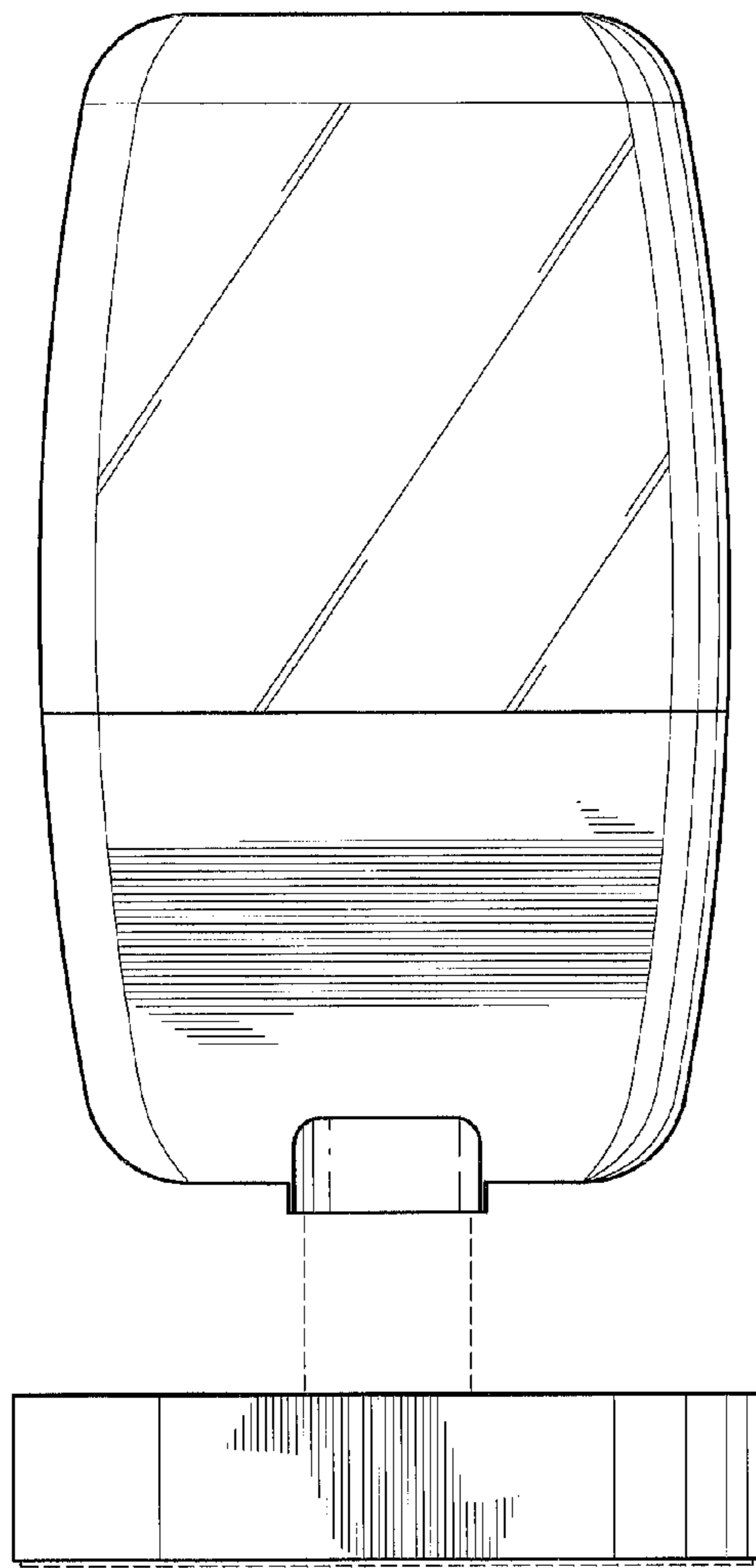


FIG. 2

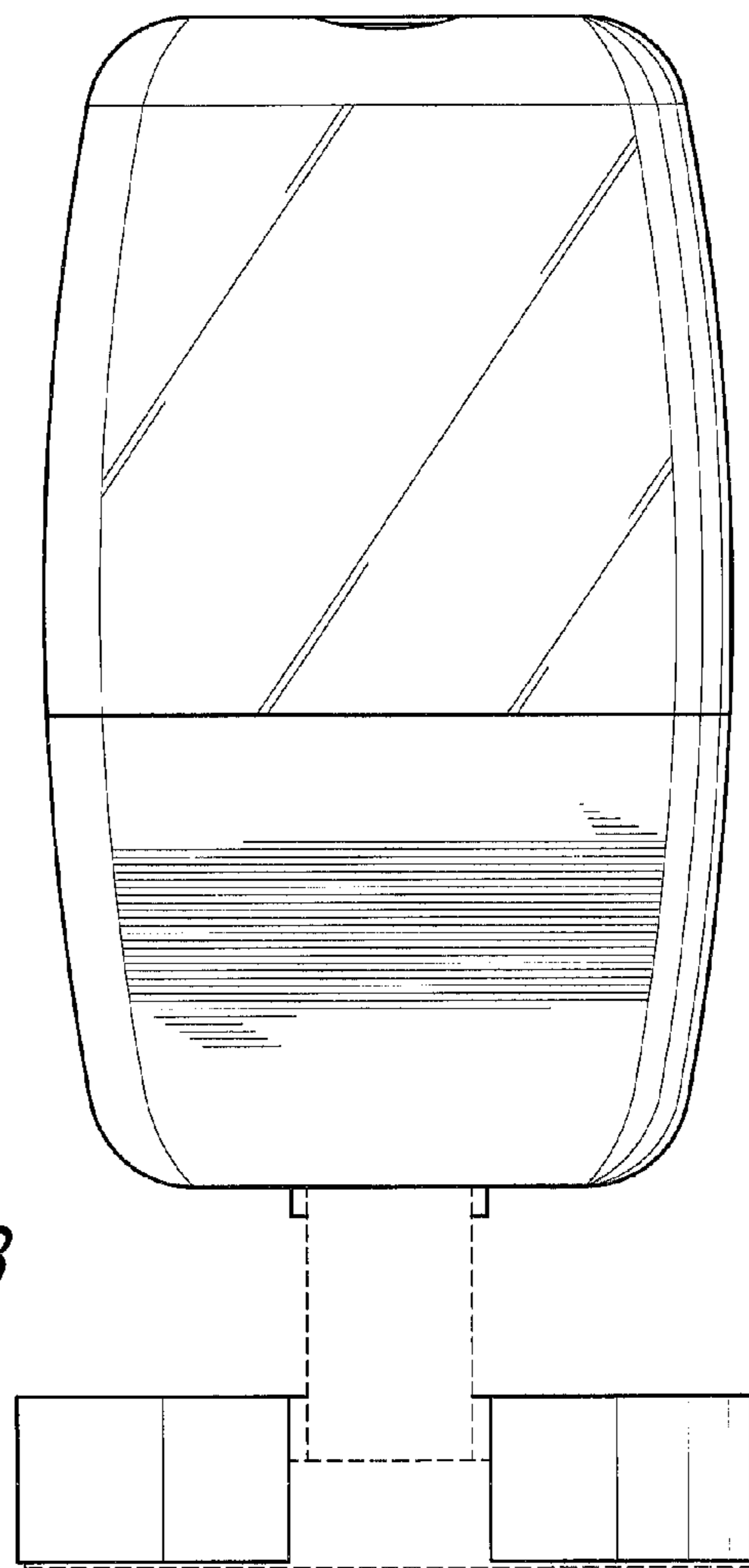


FIG. 3

FIG. 4

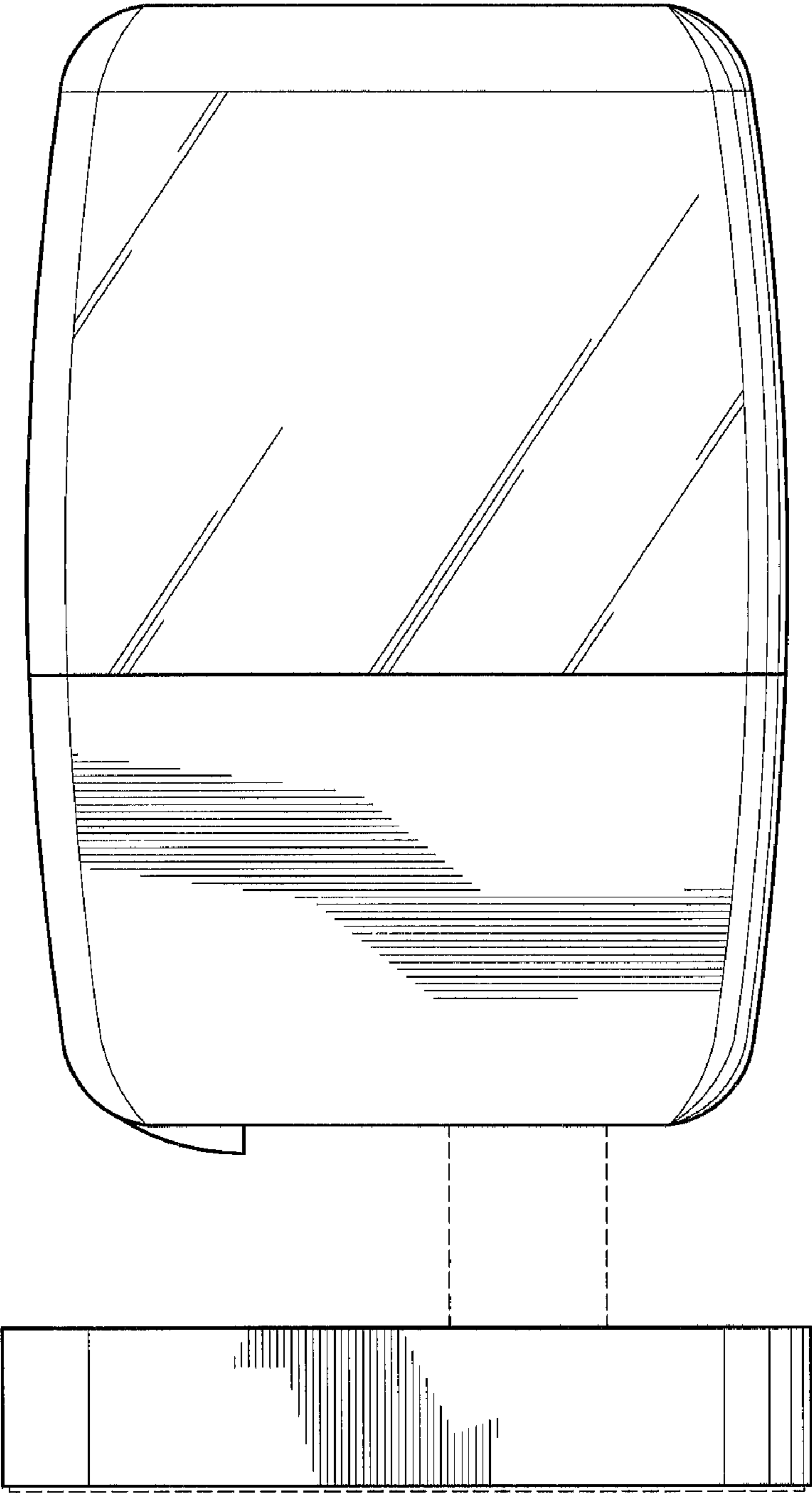


FIG. 5

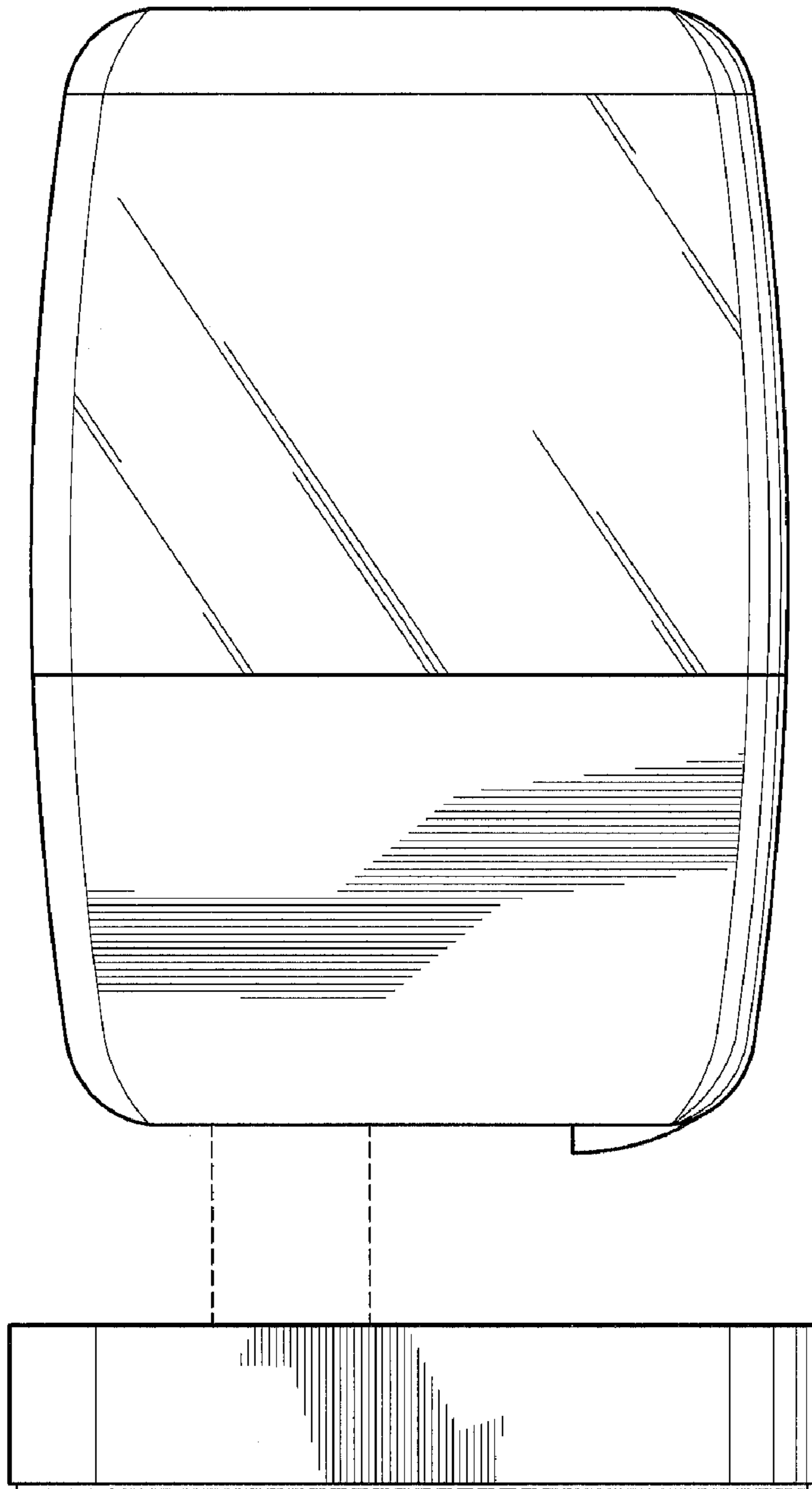


FIG. 6

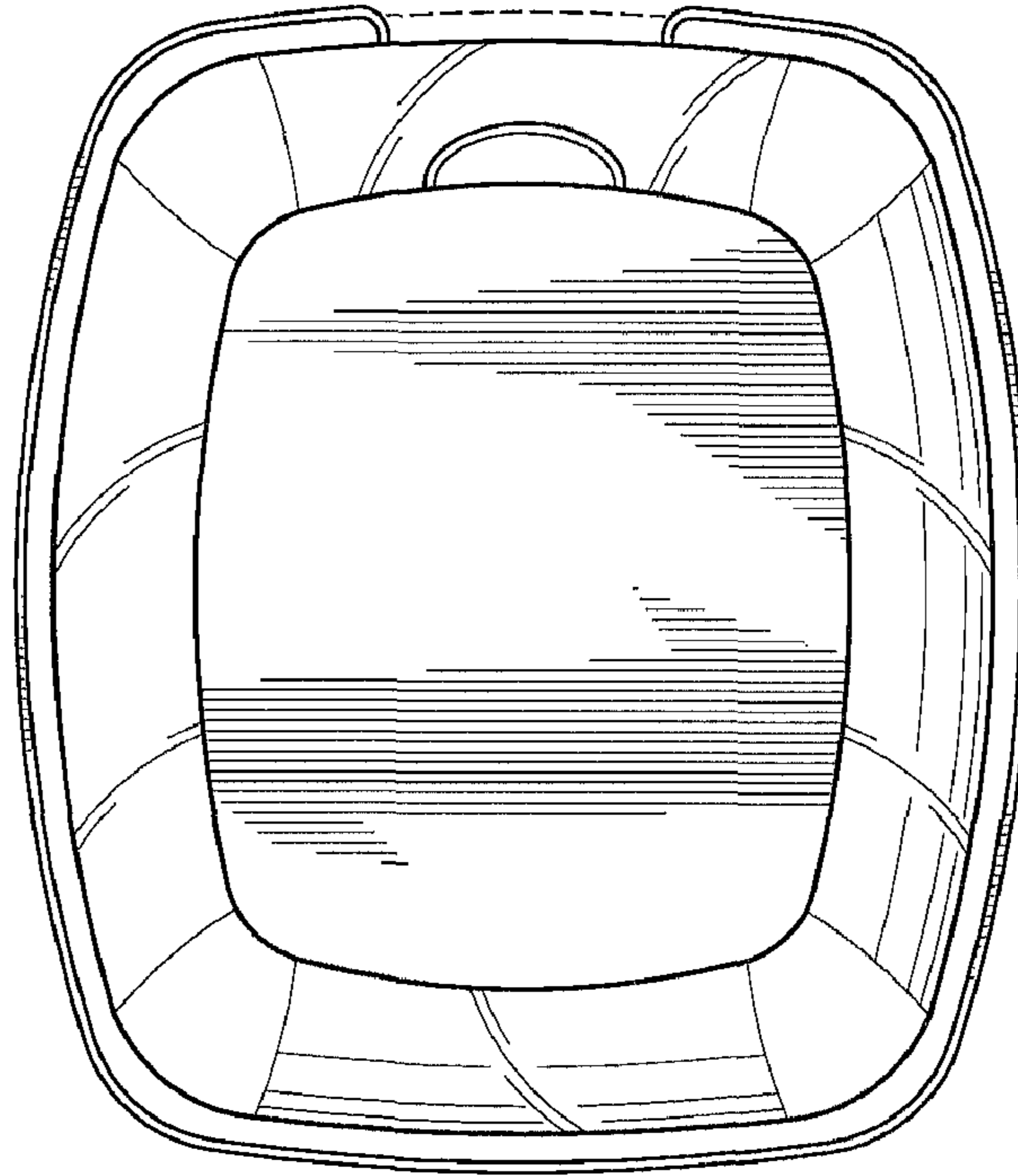


FIG. 7

